



US00D917698S

(12) **United States Design Patent** (10) **Patent No.:** **US D917,698 S**
Serbousek et al. (45) **Date of Patent:** **** Apr. 27, 2021**

(54) **SPINAL IMPLANT**

(71) Applicant: **IN QUEUE INNOVATIONS, LLC**,
Winona Lake, IN (US)

(72) Inventors: **Jon C. Serbousek**, Winona Lake, IN
(US); **Jeffrey Nycz**, Warsaw, IN (US)

(73) Assignee: **IN QUEUE INNOVATIONS, LLC**,
Winona Lake, IN (US)

(**) Term: **15 Years**

(21) Appl. No.: **29/735,485**

(22) Filed: **May 21, 2020**

Related U.S. Application Data

(63) Continuation of application No. 29/678,865, filed on
Jan. 31, 2019, now Pat. No. Des. 885,578.

(51) **LOC (13) Cl.** **24-03**

(52) **U.S. Cl.**
USPC **D24/155**

(58) **Field of Classification Search**
USPC D24/155-157
CPC A61B 17/7037; A61B 17/7032; A61B
17/7291; A61B 17/8605; A61B 17/864;
A61B 17/8685; A61B 17/70; A61B
17/7011; A61B 17/7035; A61B 17/7082
See application file for complete search history.

(56) **References Cited**

U.S. PATENT DOCUMENTS

7,322,983 B2 *	1/2008	Harris	A61B 17/8057 606/273
D720,458 S *	12/2014	Hagenmeyer	D24/155
D789,540 S	6/2017	Gyorgy		
9,713,537 B2	7/2017	Bray, Jr.		
D819,209 S	5/2018	DaCosta et al.		

D855,184 S	7/2019	Predick		
D875,938 S *	2/2020	Serbousek	D24/155
D885,578 S *	5/2020	Nycz	D24/155
2006/0085071 A1	4/2006	Lechmann et al.		
2009/0105830 A1 *	4/2009	Jones	A61F 2/4455 623/17.16
2012/0065734 A1	3/2012	Barrett et al.		
2014/0066995 A1	3/2014	McCormick		
2016/0228257 A1 *	8/2016	Predick	A61B 17/8042

* cited by examiner

Primary Examiner — Charles D Hanson

(74) *Attorney, Agent, or Firm* — Heslin Rothenberg
Farley & Mesiti P.C.

(57) **CLAIM**

The ornamental design for a spinal implant, as shown and
described.

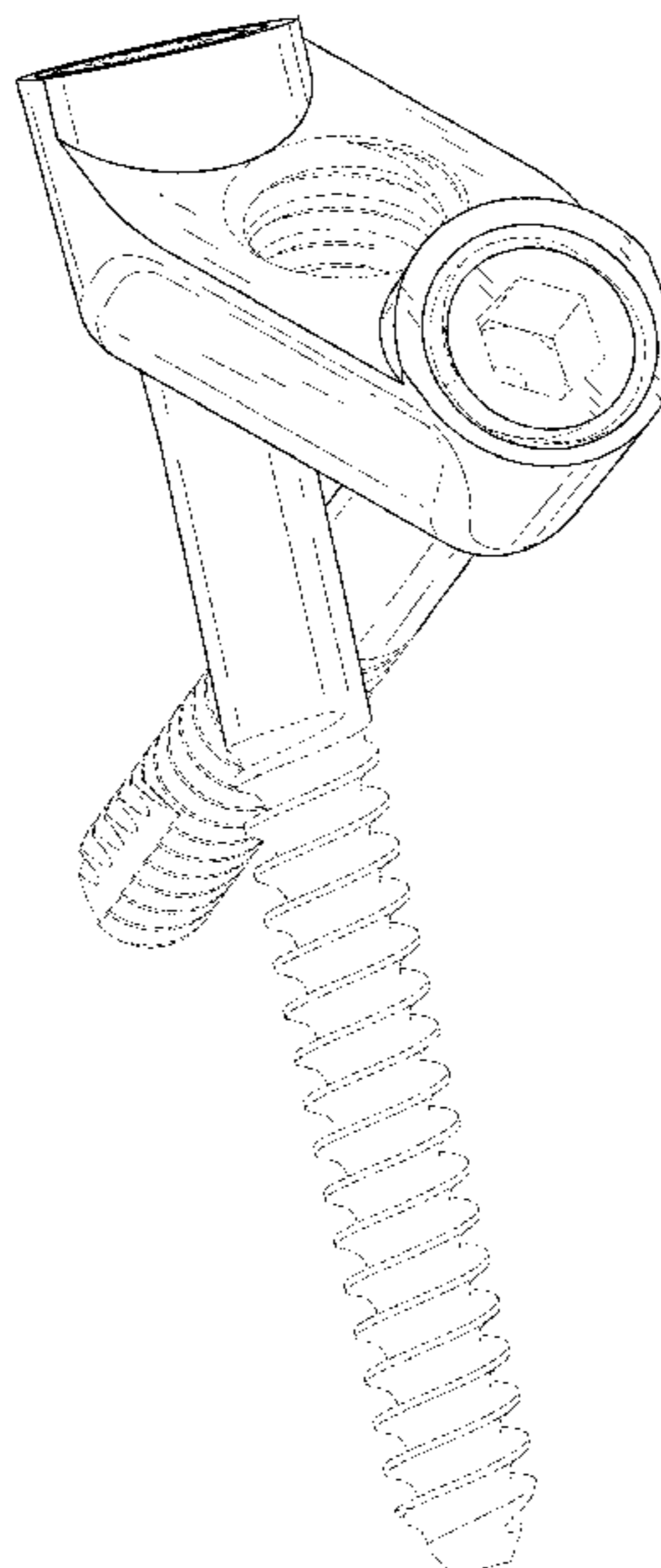
DESCRIPTION

FIG. 1 is a top, front perspective view of a spinal implant
comprising the new design;
FIG. 2 is a bottom, back perspective view of the design of
FIG. 1;
FIG. 3 is a front elevational view of the design of FIG. 1;
FIG. 4 is a back elevational view of the design of FIG. 1;
FIG. 5 is a left side elevational view of the design of FIG.
1;
FIG. 6 is a right side elevational view of the design of FIG.
1;
FIG. 7 is a top view of the design of FIG. 1; and,
FIG. 8 is a bottom view of the design of FIG. 1.

The broken lines shown in the figures are directed to the
environment and are for illustrative purposes only; the
broken lines form no part of the claimed spinal implant
invention.

The relatively light intermittently broken surface shading
depicts contour, not surface decoration.

1 Claim, 7 Drawing Sheets



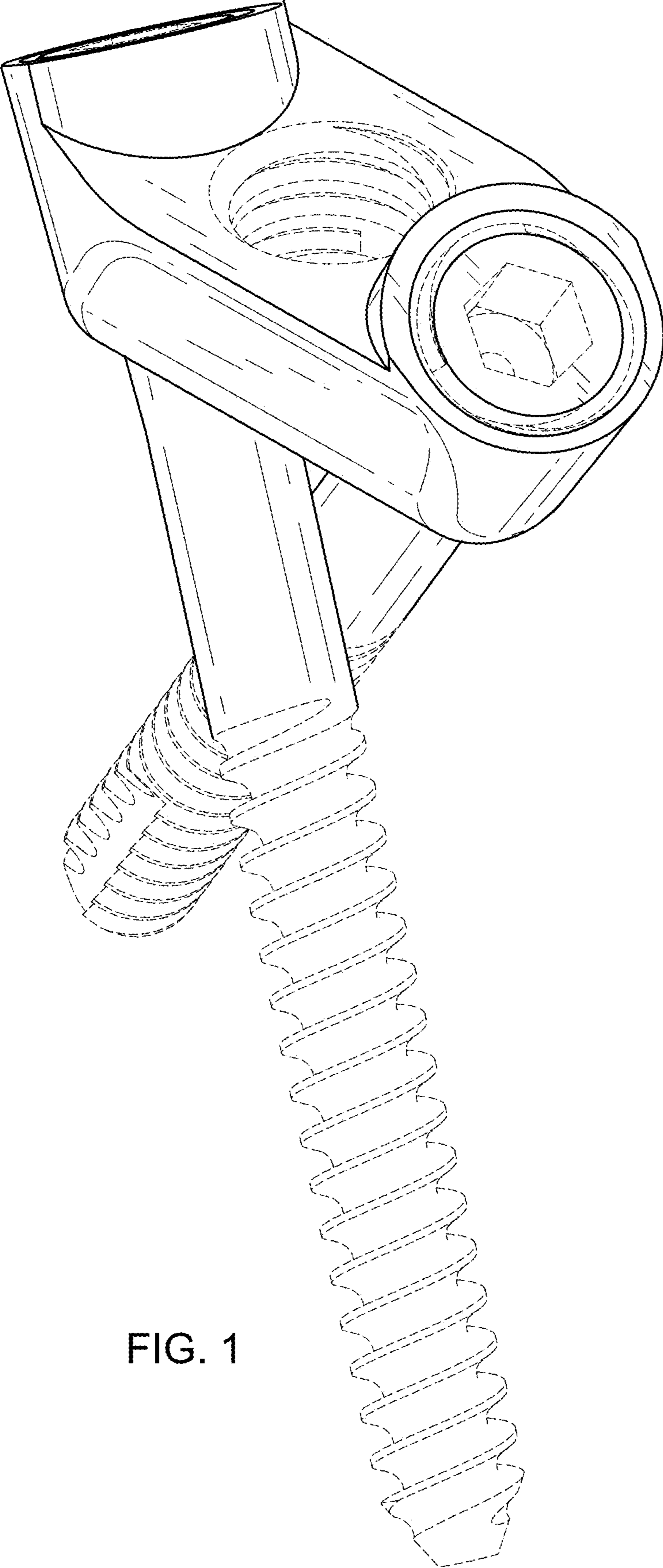


FIG. 1

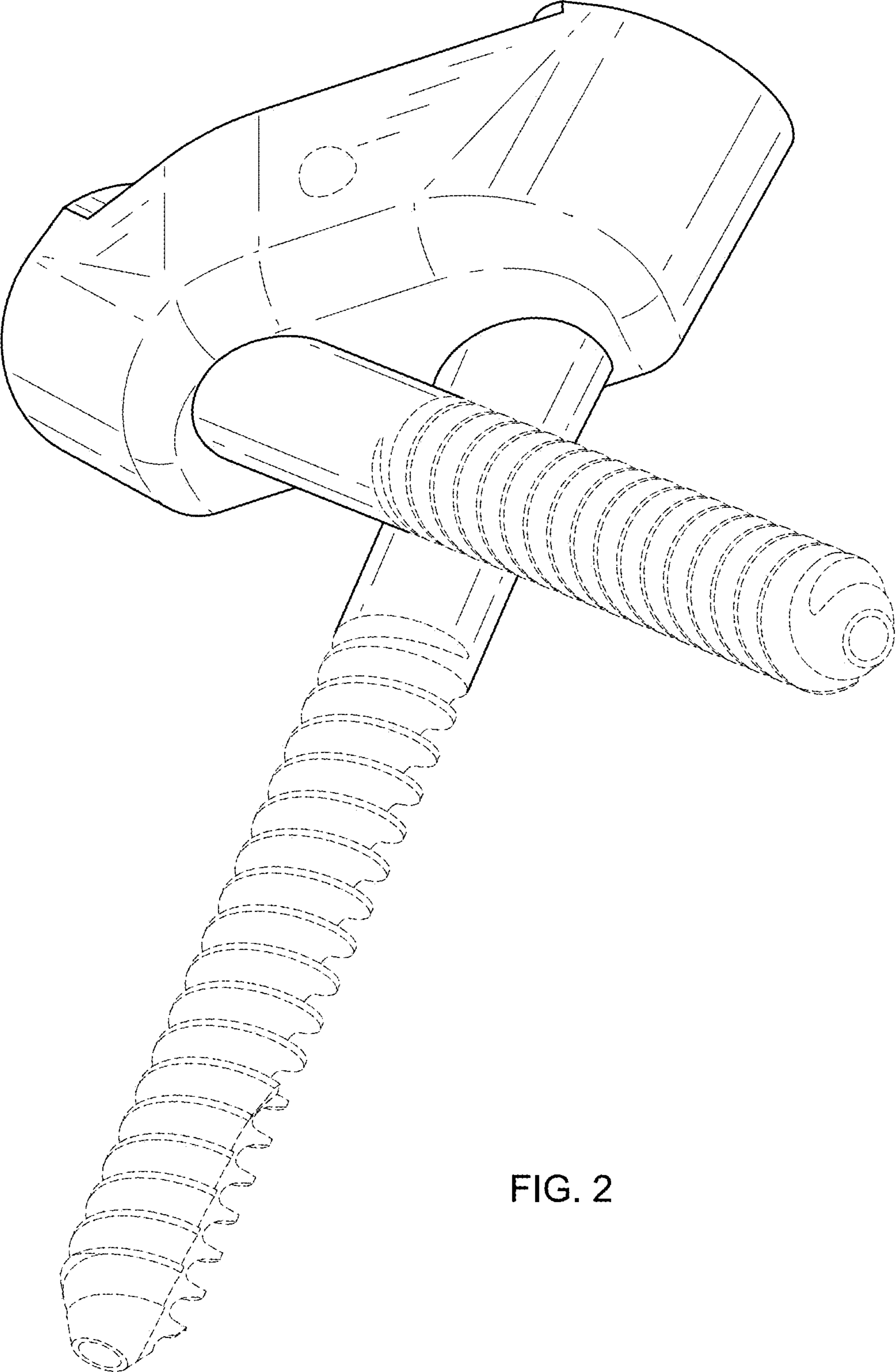


FIG. 2

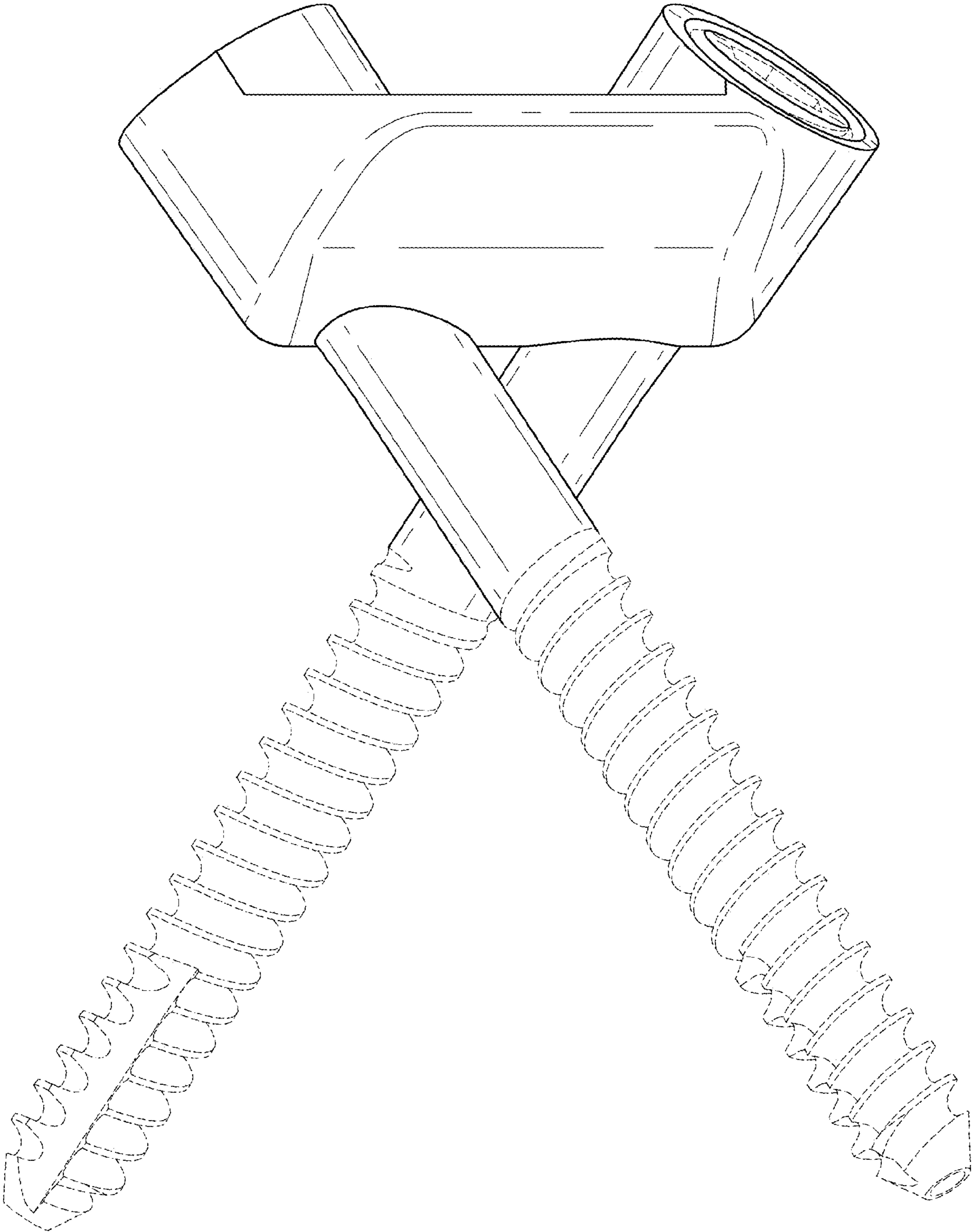


FIG. 3

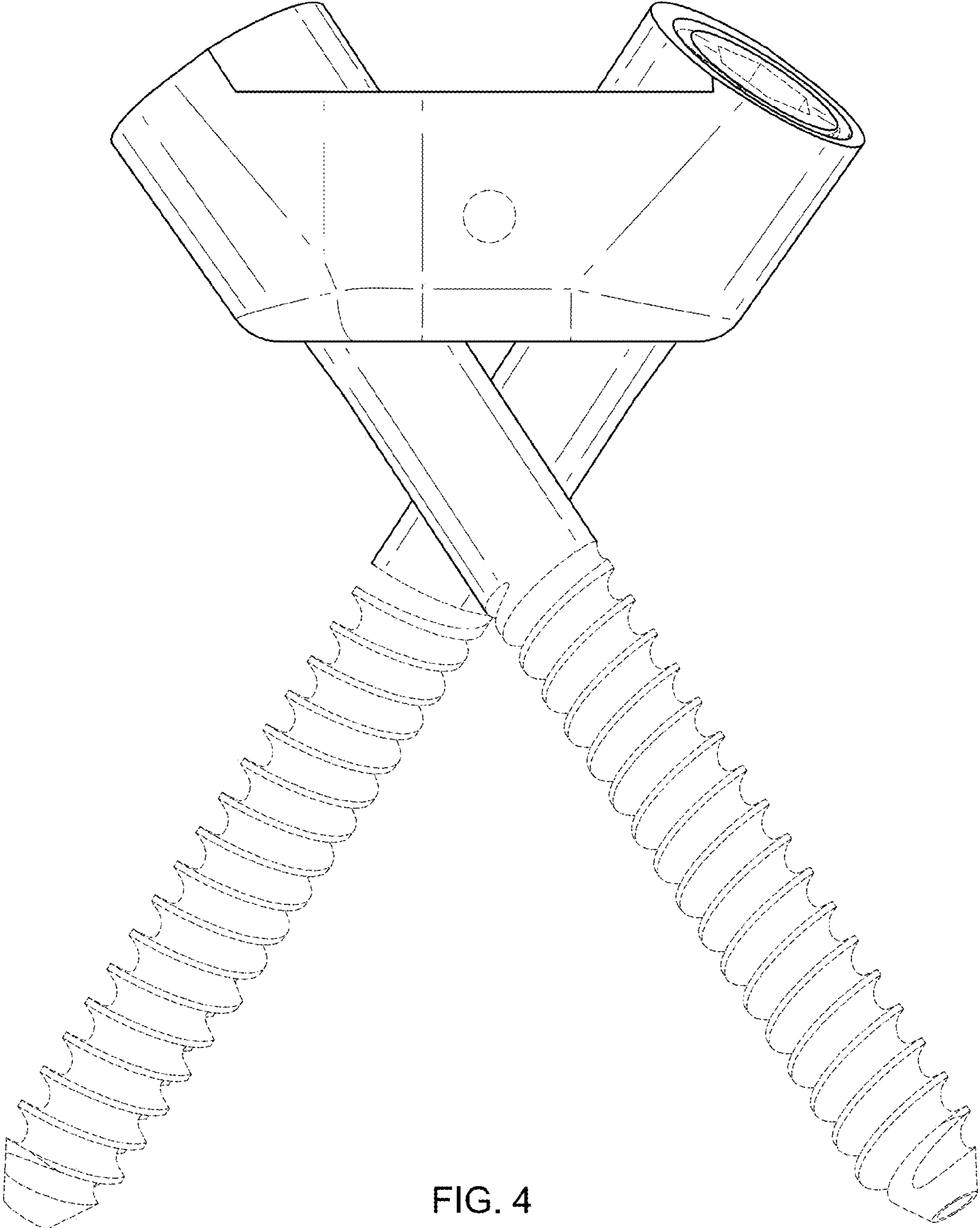


FIG. 4

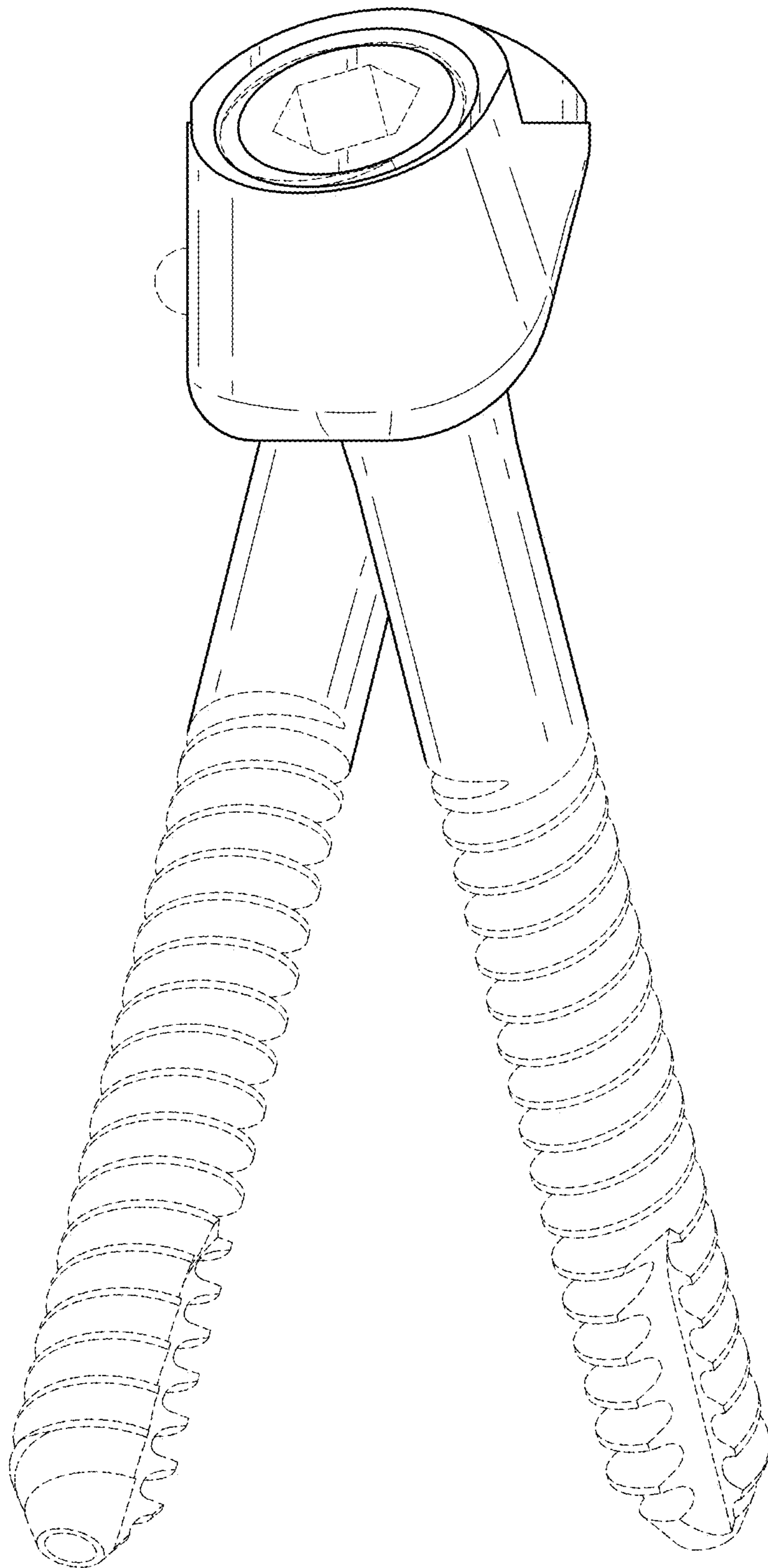


FIG. 5

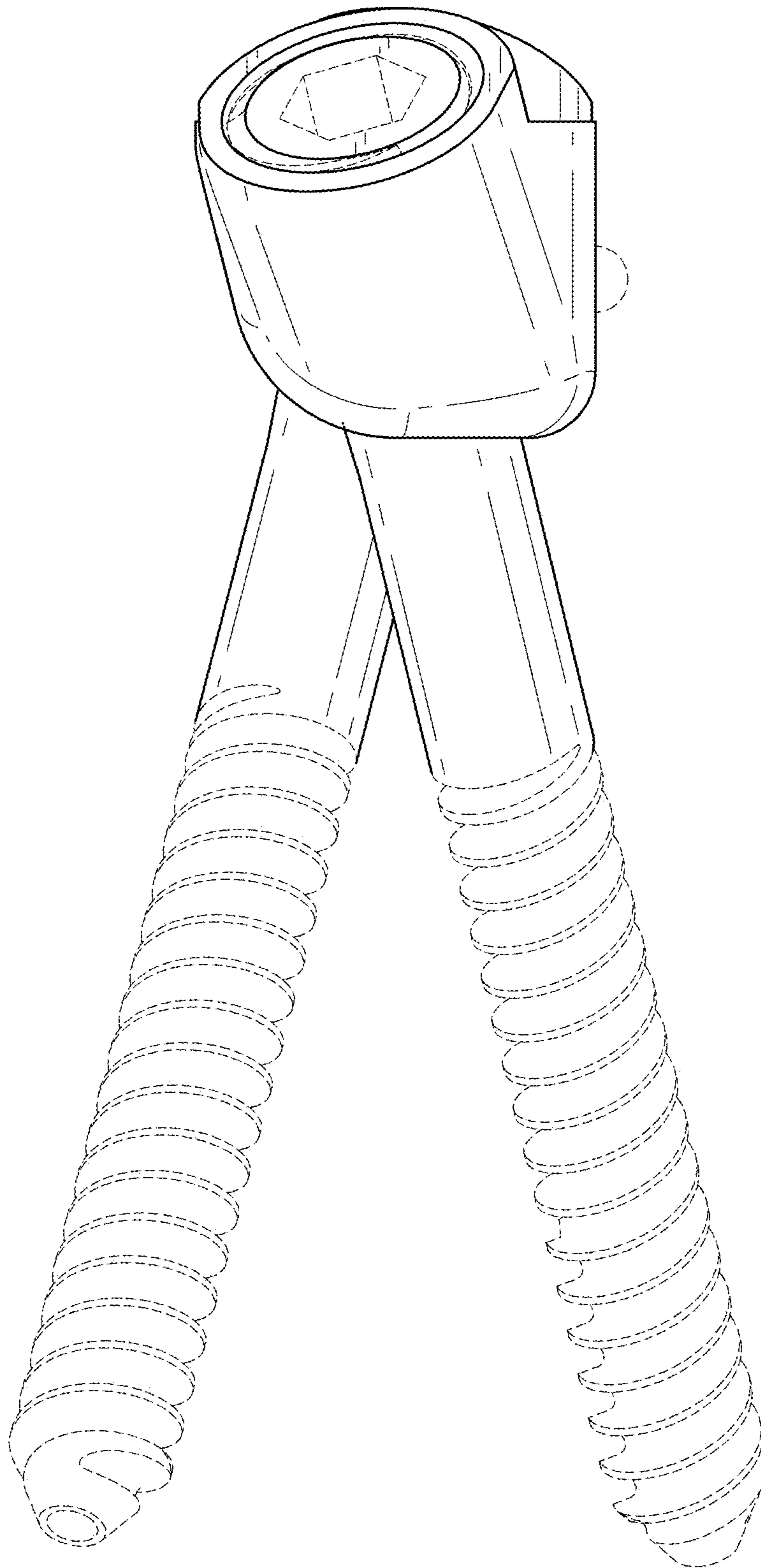


FIG. 6

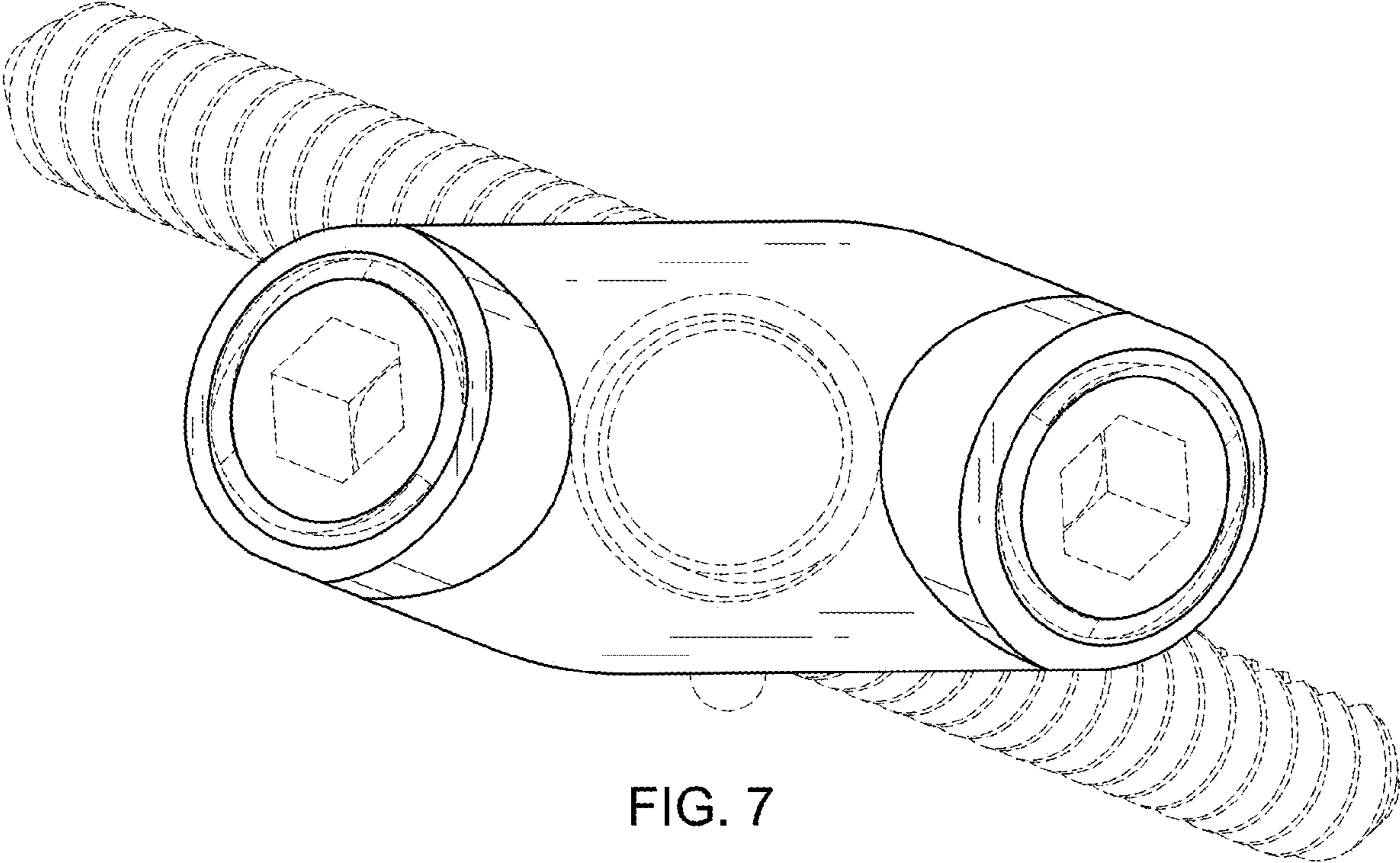


FIG. 7

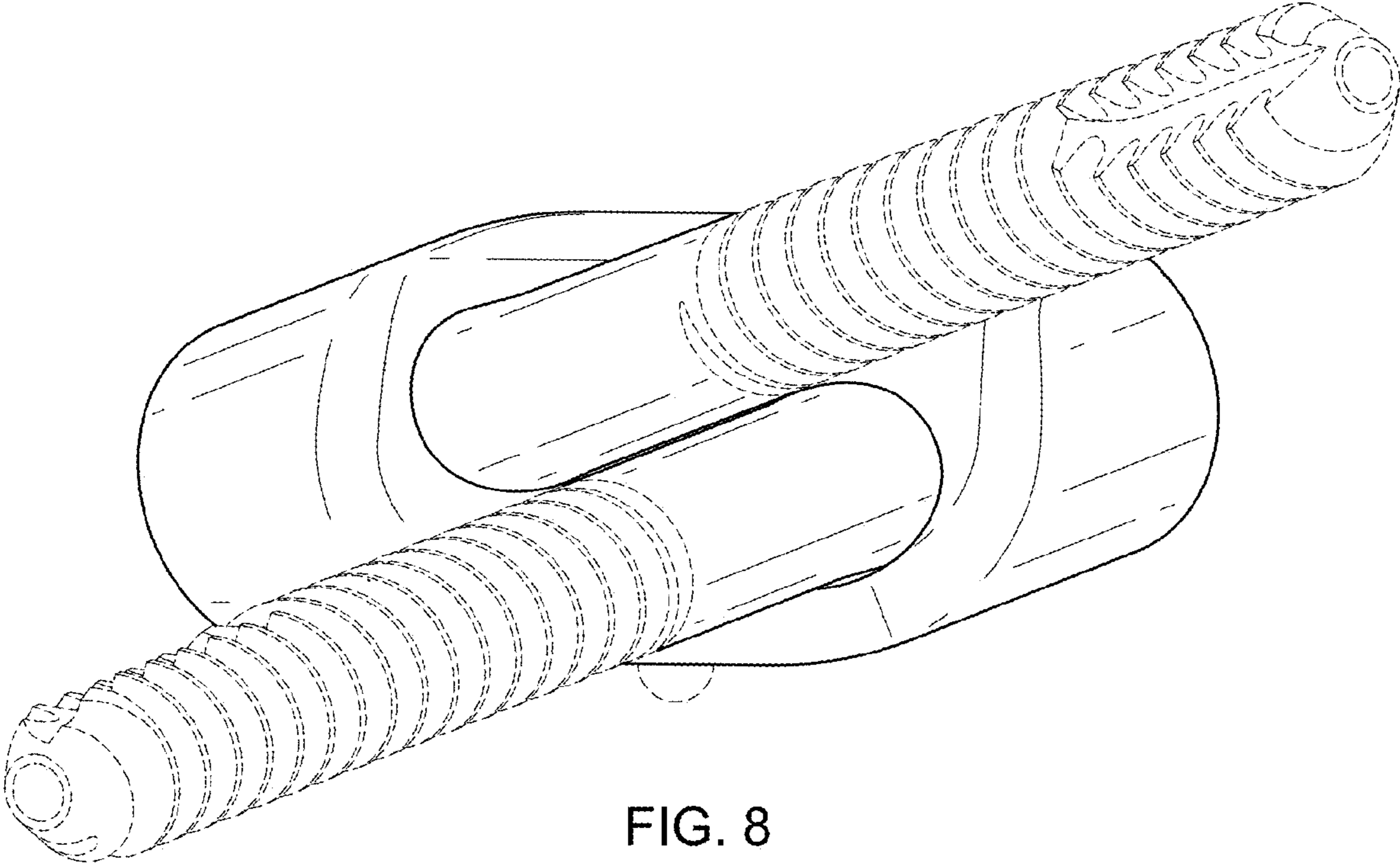


FIG. 8