



US00D917697S

(12) **United States Design Patent** (10) **Patent No.:** **US D917,697 S**
Reed et al. (45) **Date of Patent:** **** Apr. 27, 2021**

(54) **WEDGE-SHAPED IMPLANT HAVING RIDGES**

(71) Applicant: **LifeNet Health**, Virginia Beach, VA (US)

(72) Inventors: **Lindsay Reed**, Virginia Beach, VA (US); **Andy Pritchard**, Virginia Beach, VA (US); **Dennis Phelps**, Chesapeake, VA (US)

(73) Assignee: **LifeNet Health**, Virginia Beach, VA (US)

(**) Term: **15 Years**

(21) Appl. No.: **29/639,234**

(22) Filed: **Mar. 5, 2018**

(51) **LOC (13) Cl.** **24-03**

(52) **U.S. Cl.**
USPC **D24/155**

(58) **Field of Classification Search**
USPC D24/155
CPC A61F 2/4611; A61F 2/442; A61F 2/447; A61F 2220/0025; A61F 2310/00023; A61F 2310/00017; A61F 2002/4475; A61F 2002/30841; A61F 2002/2835; A61F 2002/30904; A61F 2002/30785; A61F 2002/443; A61F 2002/30578

See application file for complete search history.

(56) **References Cited**

U.S. PATENT DOCUMENTS

D598,105 S * 8/2009 Krishna D24/155
D623,750 S * 9/2010 Duffield D24/155

D691,272 S 10/2013 Dacosta et al.
D720,456 S 12/2014 Dacosta et al.
D720,457 S 12/2014 Bono et al.
D790,704 S * 6/2017 Yang D24/155
D829,909 S * 10/2018 Horton D24/155
D850,620 S * 6/2019 Tyber D24/155
D857,201 S * 8/2019 Predick A61B 17/8061
D24/155

2009/0132046 A1 5/2009 Larche
2015/0335367 A1 11/2015 Austin et al.

* cited by examiner

Primary Examiner — Charles D Hanson
(74) *Attorney, Agent, or Firm* — RatnerPrestia

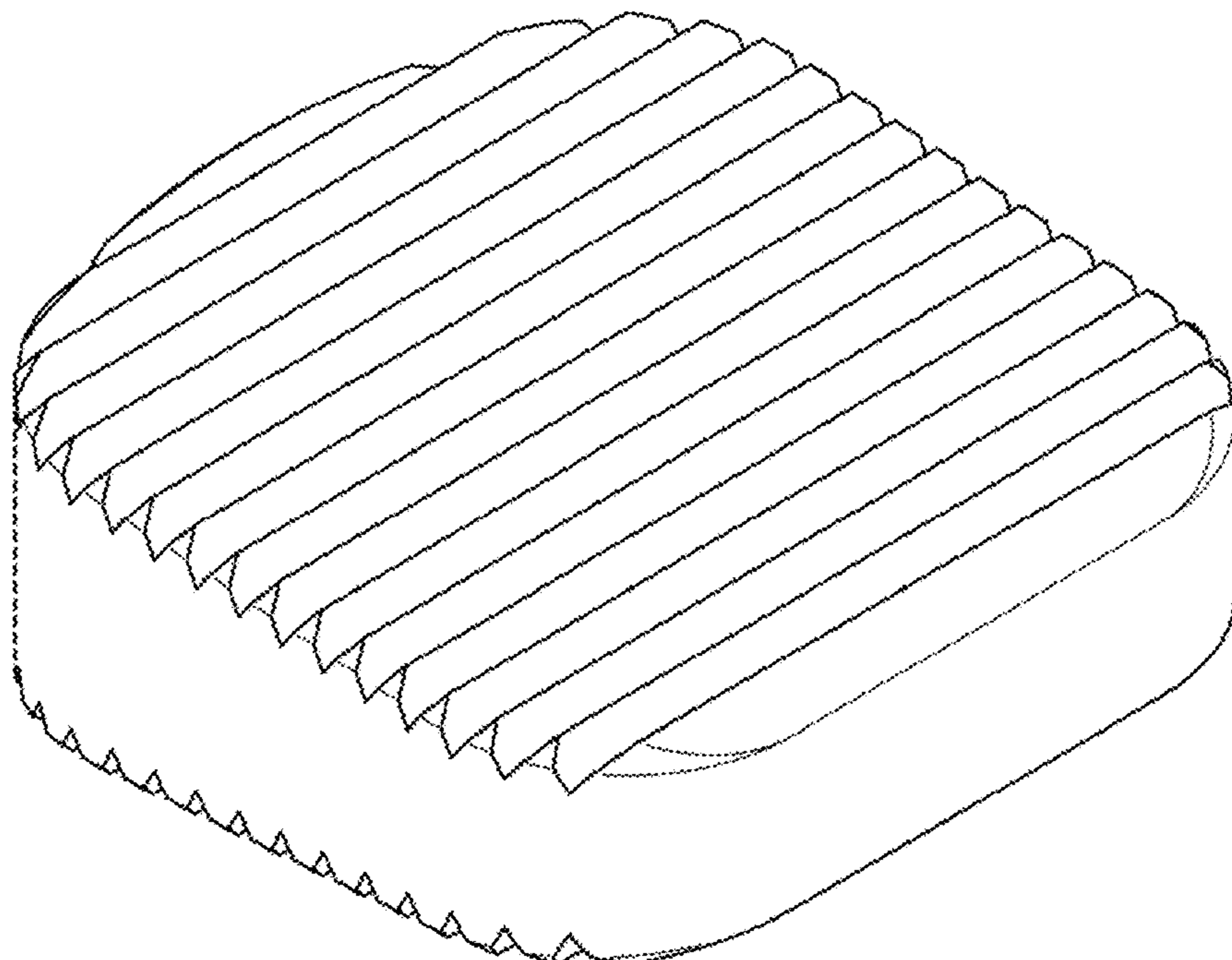
(57) **CLAIM**

The ornamental design for a wedge-shaped implant having ridges, as shown and described.

DESCRIPTION

FIG. 1 is an isometric view of a wedge-shaped implant having ridges;
FIG. 2 is a top plan view thereof;
FIG. 3 is a front elevation view thereof;
FIG. 4 is a rear elevation view thereof;
FIG. 5 is an elevation view thereof taken from the right side;
FIG. 6 is an elevation view thereof taken from the left side;
and,
FIG. 7 is a bottom plan view thereof.
The broken line showing of the wedge-shaped implant having ridges is for the purpose of illustrating portions of the wedge-shaped implant having ridges and forms no part of the claimed design.

1 Claim, 7 Drawing Sheets



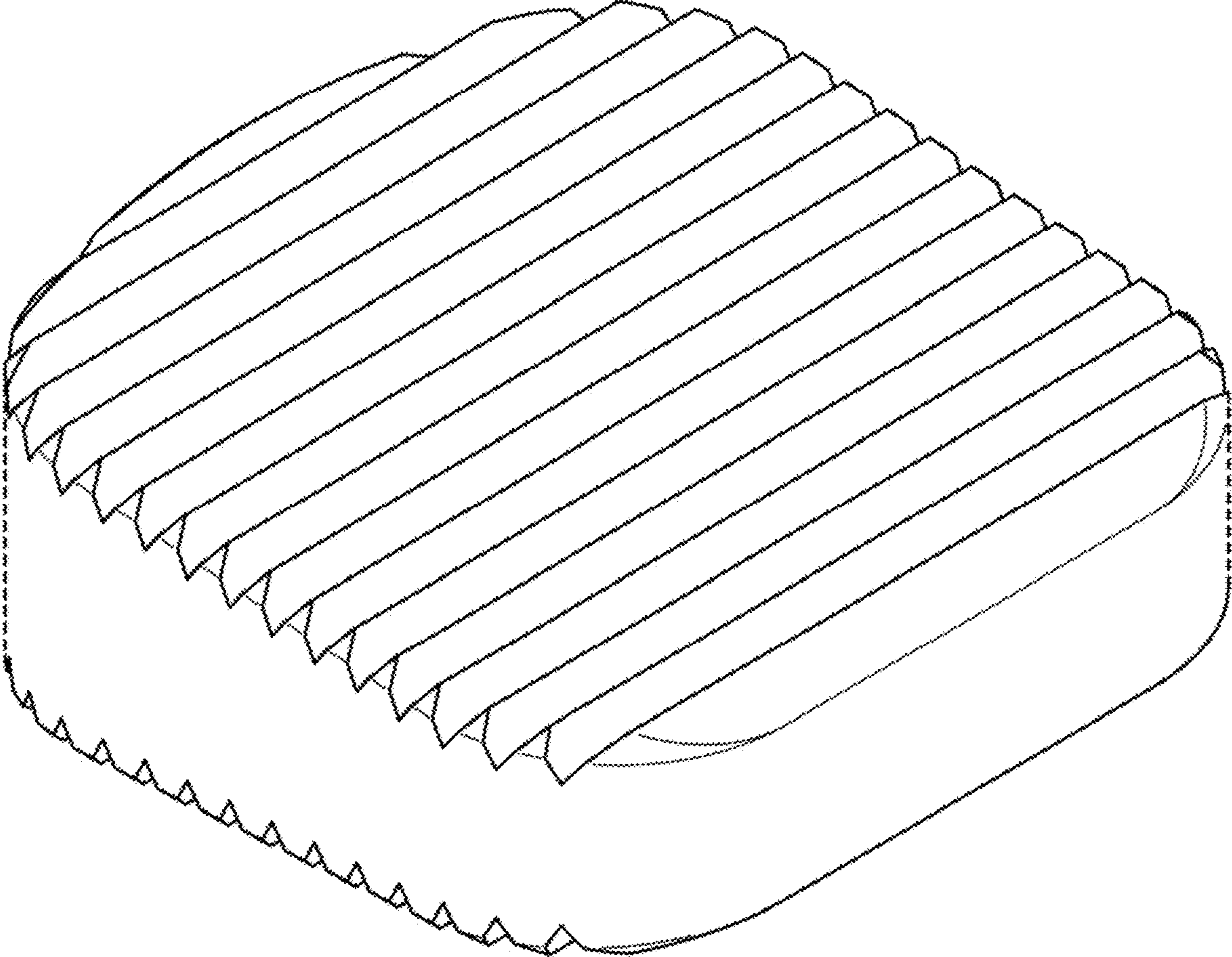


FIG. 1

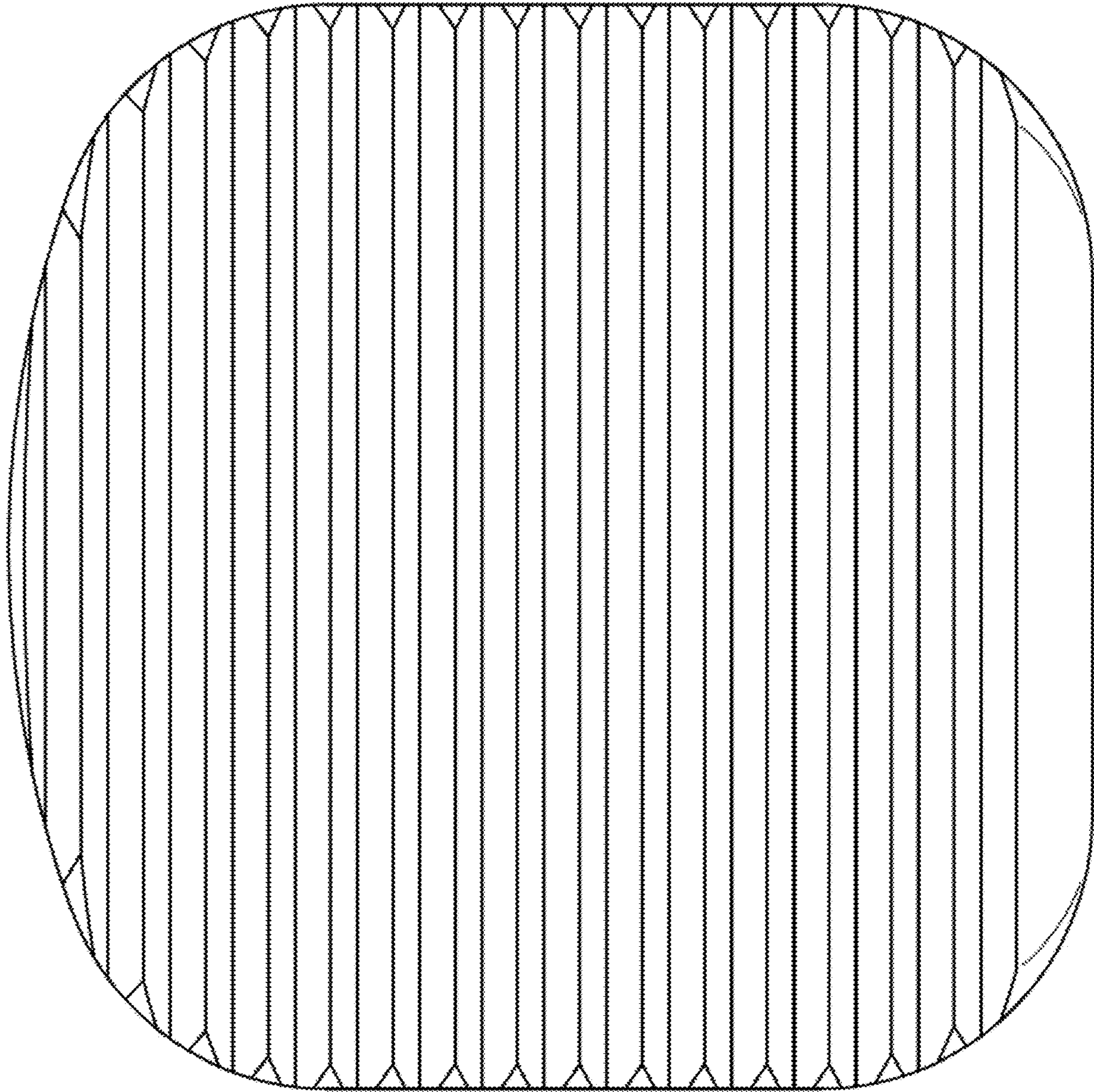


FIG. 2

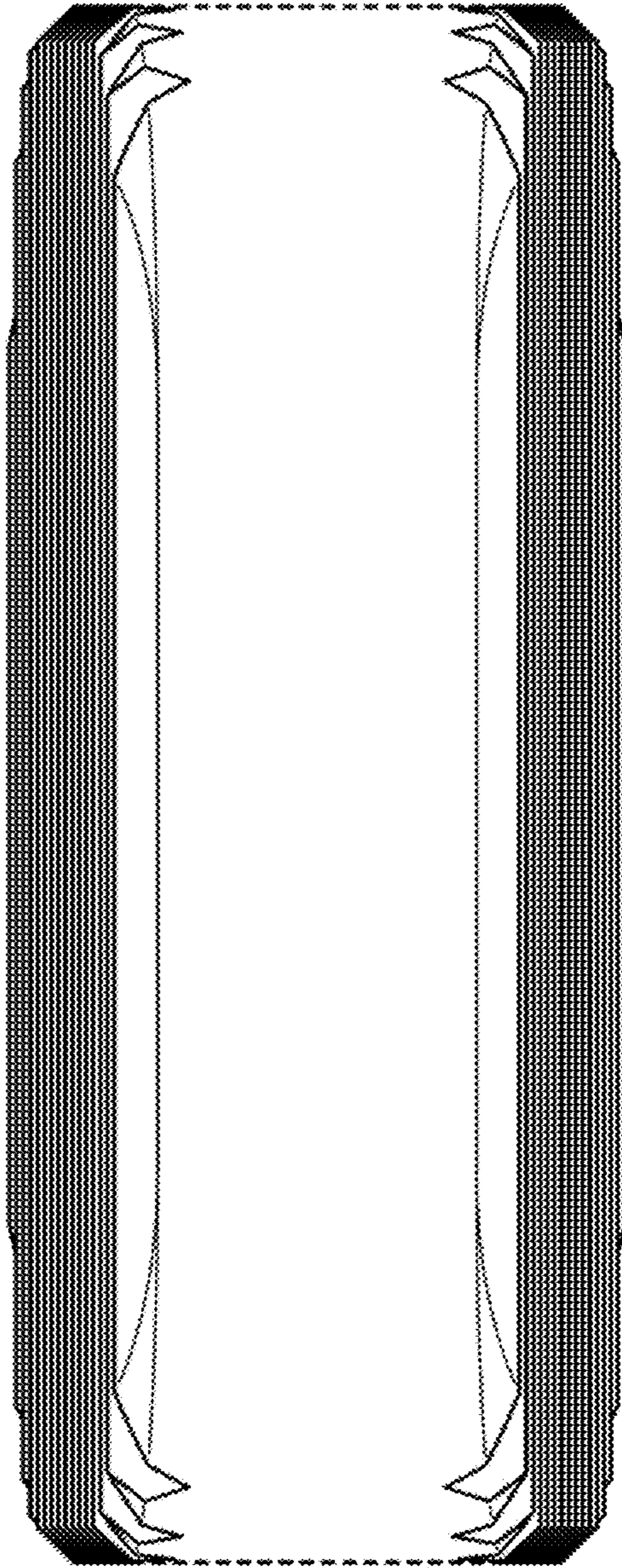


FIG. 3

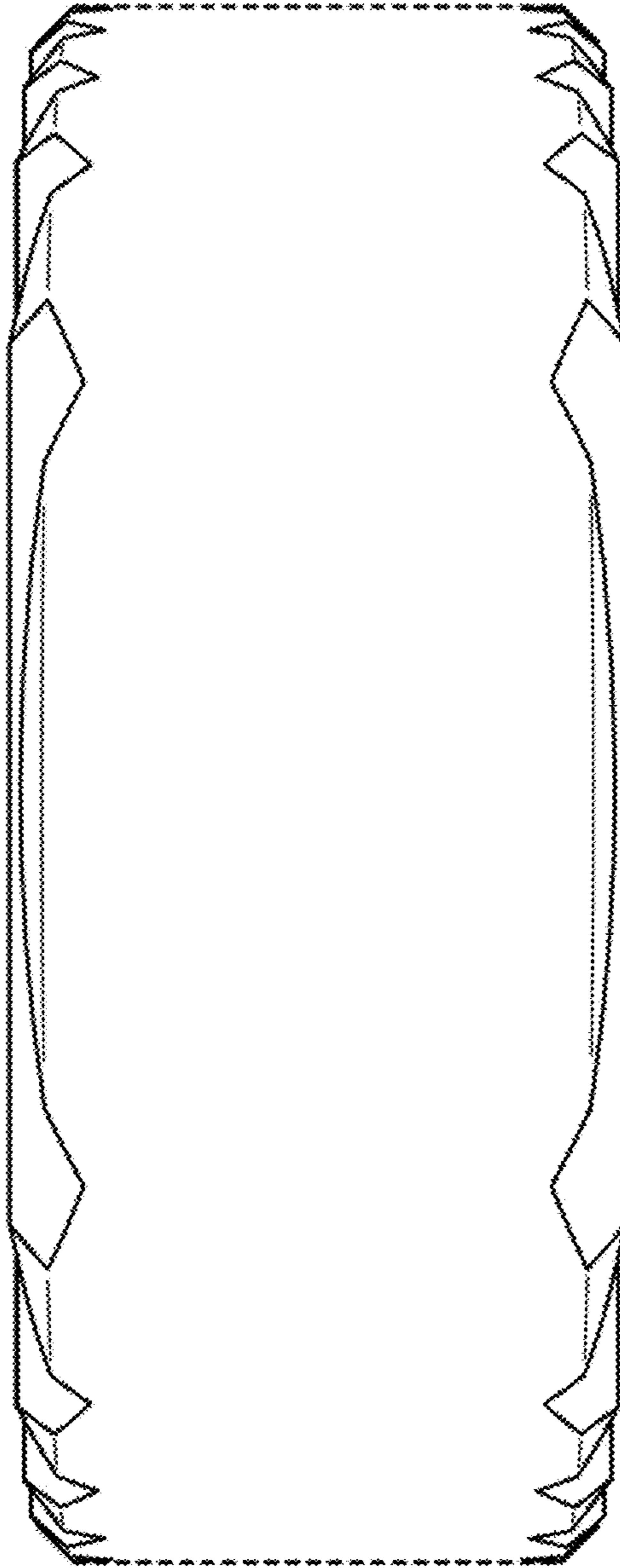


FIG. 4

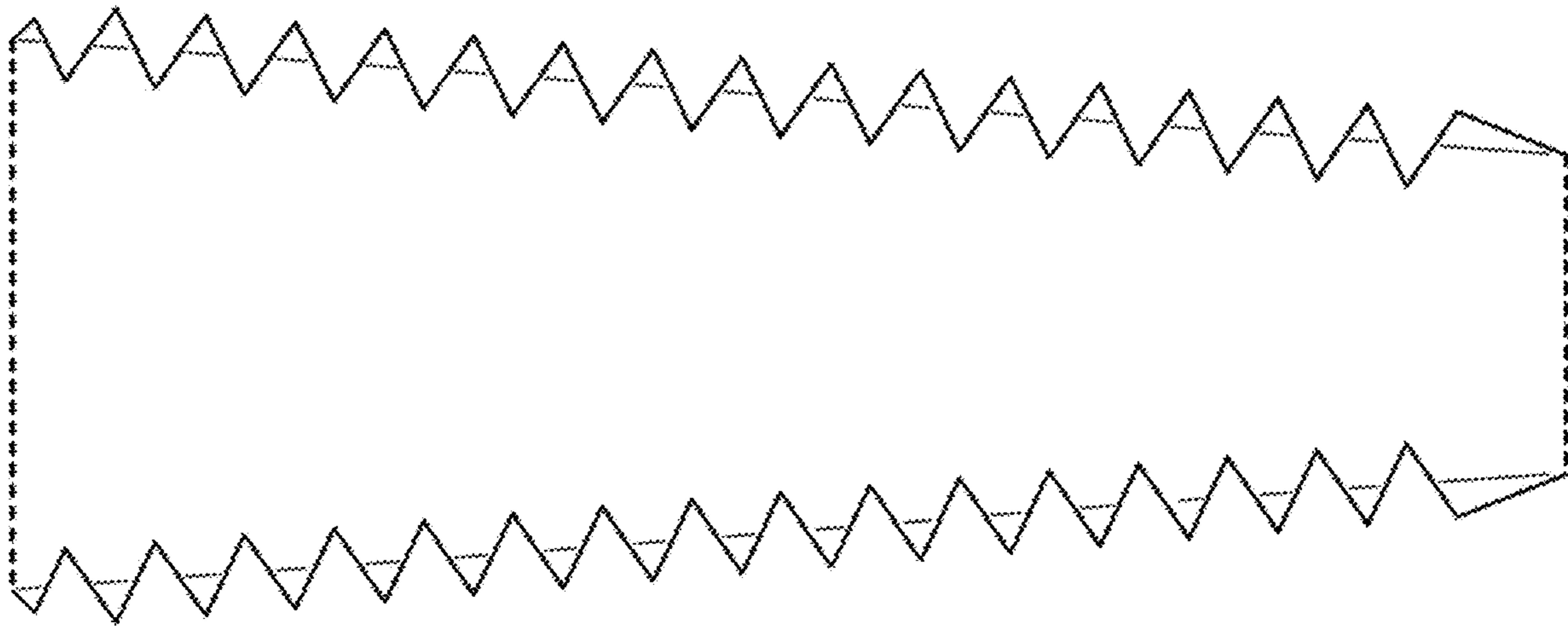


FIG. 5

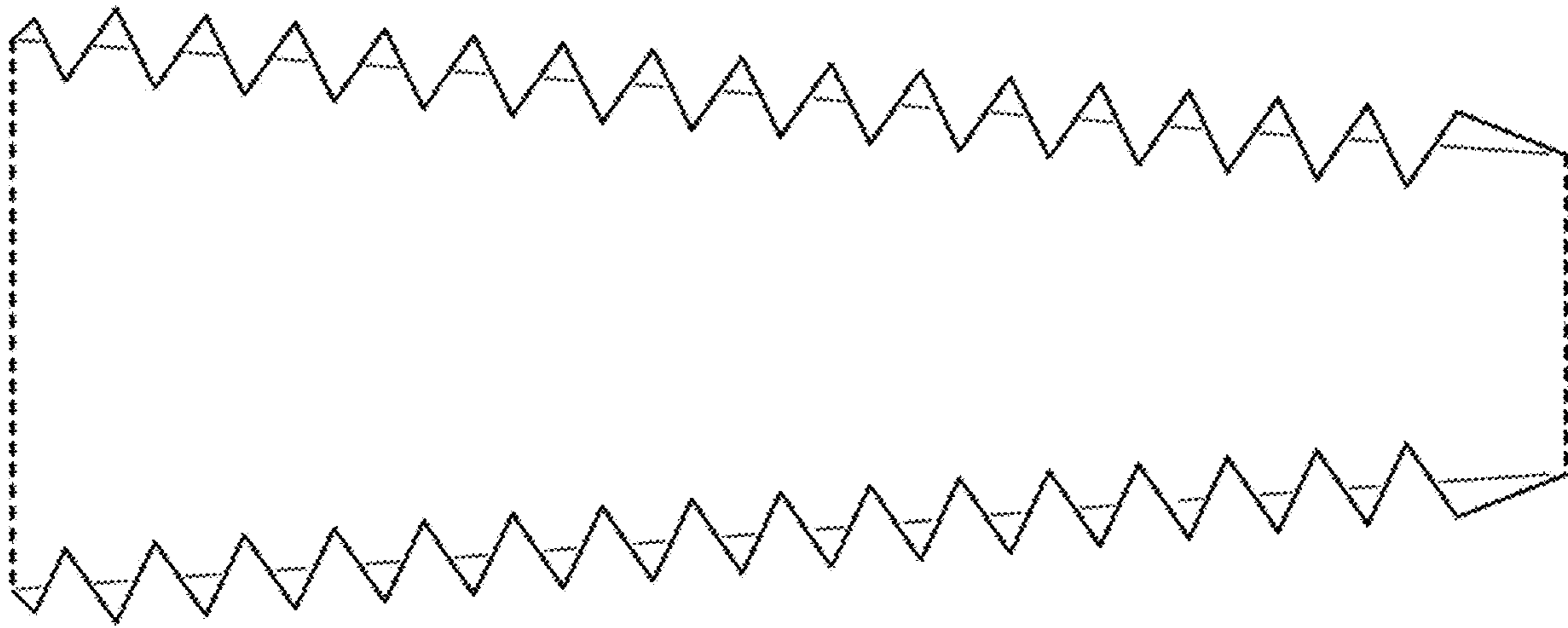


FIG. 6

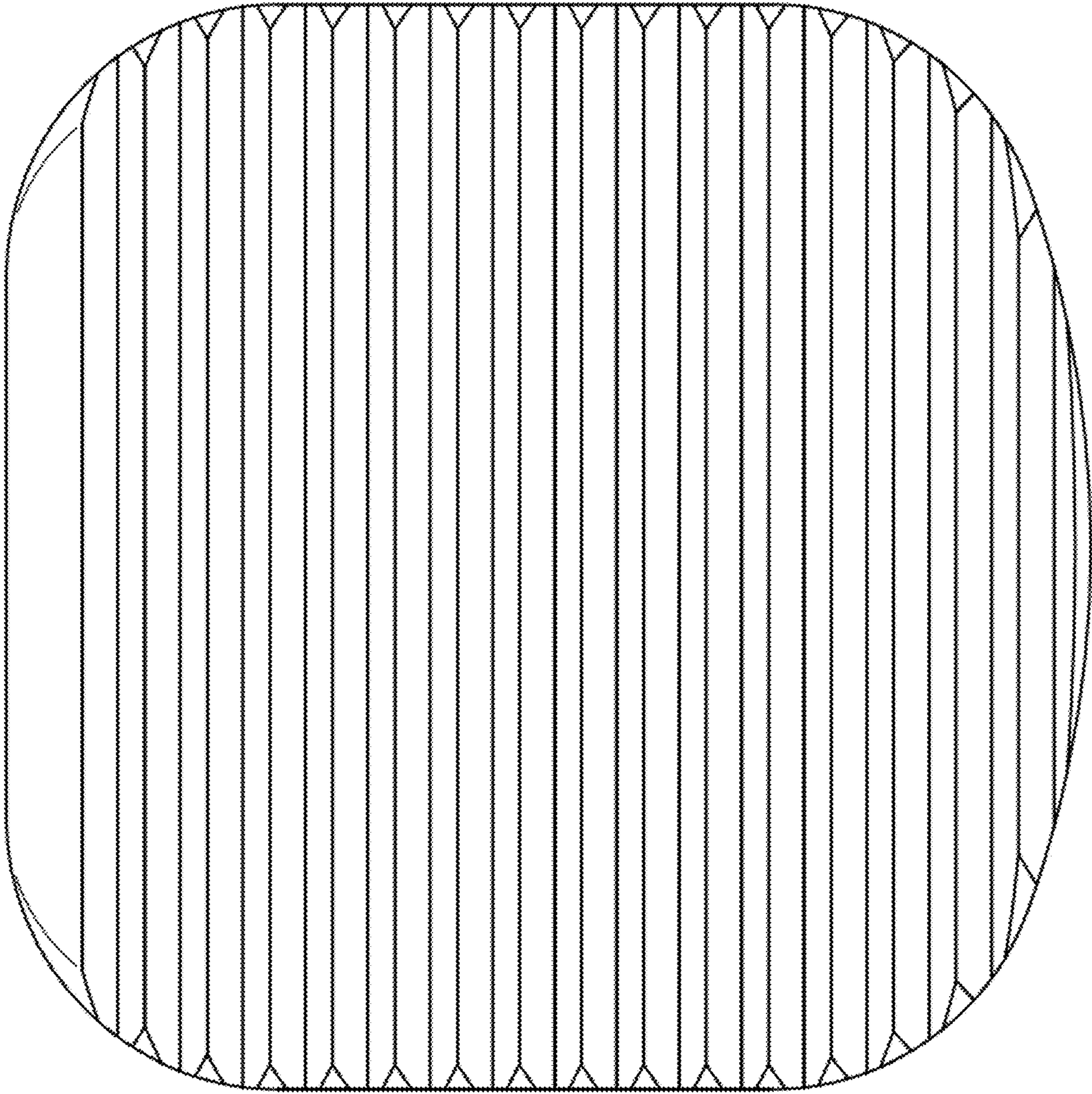


FIG. 7