



US00D917696S

(12) **United States Design Patent** (10) **Patent No.:** **US D917,696 S**
Müller et al. (45) **Date of Patent:** **** Apr. 27, 2021**

(54) **MODELING TIP FOR DENTAL USE**

(71) Applicant: **Ivoclar Vivadent AG**, Schaan (LI)

(72) Inventors: **Frank Müller**, Feldkirch (AT); **Nora Christina Kögel**, Oberriet (CH)

(73) Assignee: **Ivoclar Vivadent AG**, Schaan (LI)

(**) Term: **15 Years**

(21) Appl. No.: **29/669,467**

(22) Filed: **Nov. 8, 2018**

Related U.S. Application Data

(62) Division of application No. 35/502,283, filed on Jan. 26, 2016 (U.S. filing date under 35 U.S.C. 384), and having an international filing date of Jan. 26, 2016, now Pat. No. Des. 844,143.

(51) **LOC (13) Cl.** **24-02**

(52) **U.S. Cl.**
USPC **D24/152**

(58) **Field of Classification Search**
USPC D24/133, 154, 182, 176, 152, 144, 146
CPC A61C 3/00
See application file for complete search history.

(56) **References Cited**

U.S. PATENT DOCUMENTS

2,099,030	A	11/1937	Morrison	
D340,980	S *	11/1993	Shen	D24/146
D426,306	S	6/2000	Maissami	
D558,345	S *	12/2007	Witt	D24/152
D587,369	S *	2/2009	Hickok	D24/144
D588,697	S *	3/2009	Hickok	D24/144
D626,223	S	10/2010	Bender et al.	

D629,902	S	12/2010	Palmer et al.	
D636,874	S	4/2011	Palmer et al.	
D720,455	S	12/2014	Jodaikin et al.	
D738,502	S	9/2015	Jian	
D750,247	S	2/2016	Cho	
D779,064	S	2/2017	Sanchez	
D807,507	S	1/2018	Chauhan	
D896,963	S *	9/2020	Buist, Sr.	D24/152
2016/0361765	A1 *	12/2016	Danger	B23P 15/34
2017/0128157	A1	5/2017	Müller et al.	

* cited by examiner

Primary Examiner — Eliza Z Bennett-Hattan

(74) *Attorney, Agent, or Firm* — Ann M. Knab; Thad McMurray

(57) **CLAIM**

The ornamental design for a modeling tip for dental use, as shown and described.

DESCRIPTION

FIG. 1 is a side cross sectional view of the modeling tip for dental use.

FIG. 2 is a top view thereof.

FIG. 3 is a rear view thereof.

FIG. 4 is a top right perspective view thereof.

FIG. 5 is a bottom left perspective view thereof.

FIG. 6 is a right side view of a second embodiment thereof.

FIG. 7 is a left side view thereof.

FIG. 8 is a front view thereof.

FIG. 9 is a rear side view thereof.

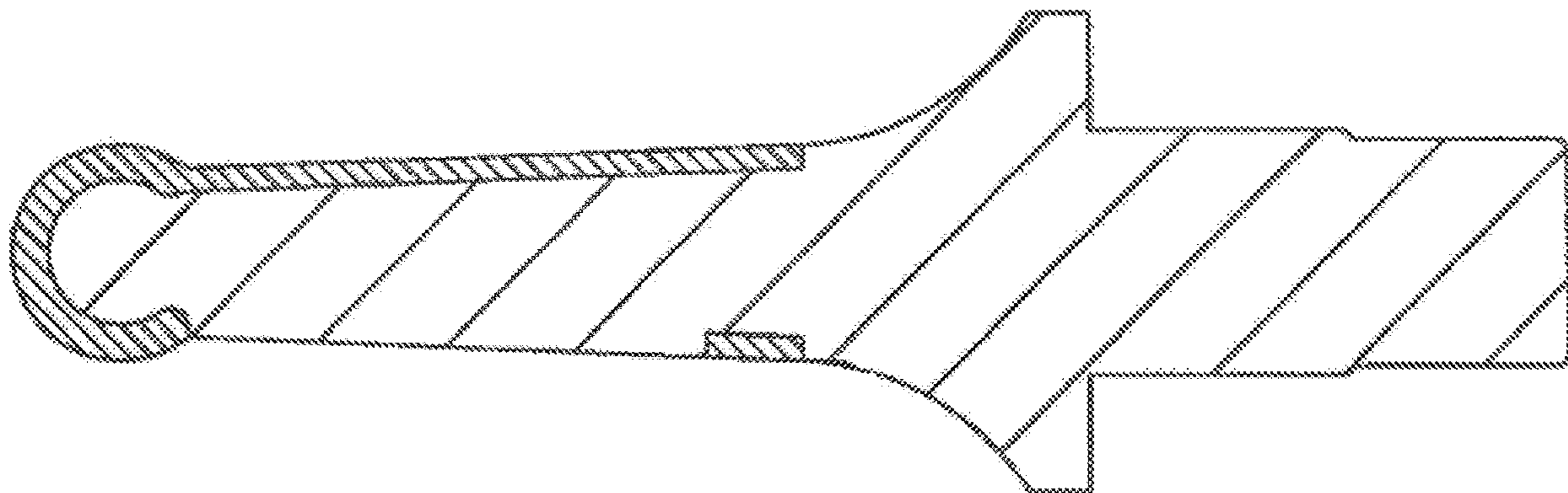
FIG. 10 is a top side view thereof.

FIG. 11 is bottom side view thereof; and,

FIG. 12 is a left side perspective view thereof.

The broken lines depict environment that forms no part of the claimed design.

1 Claim, 9 Drawing Sheets



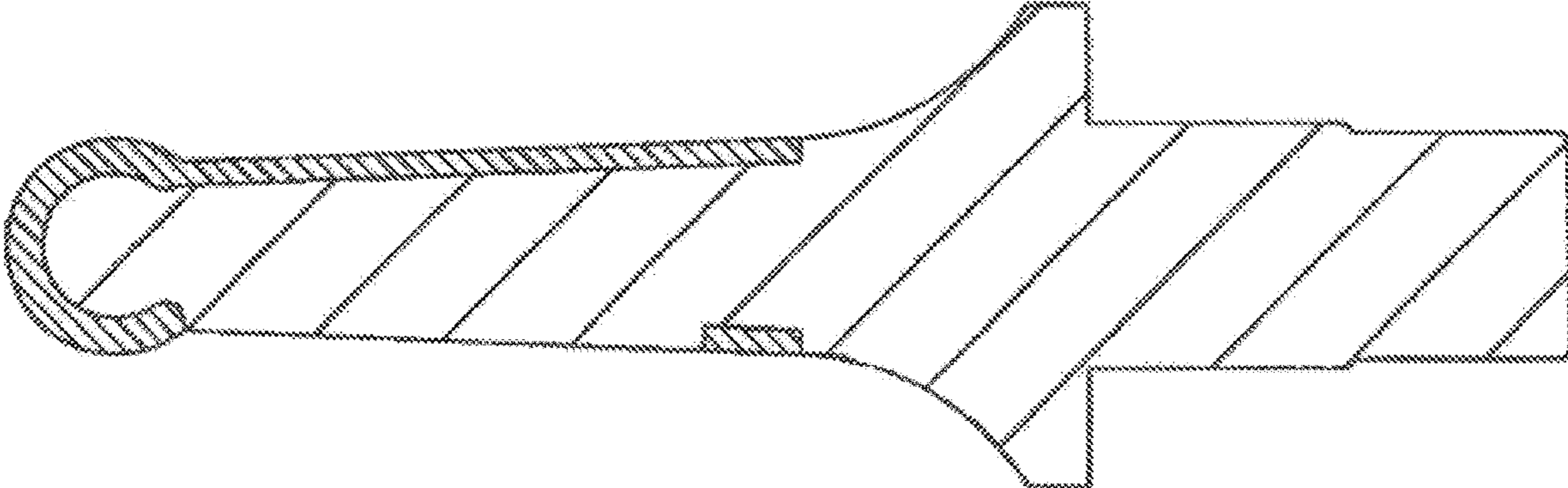


Fig. 1

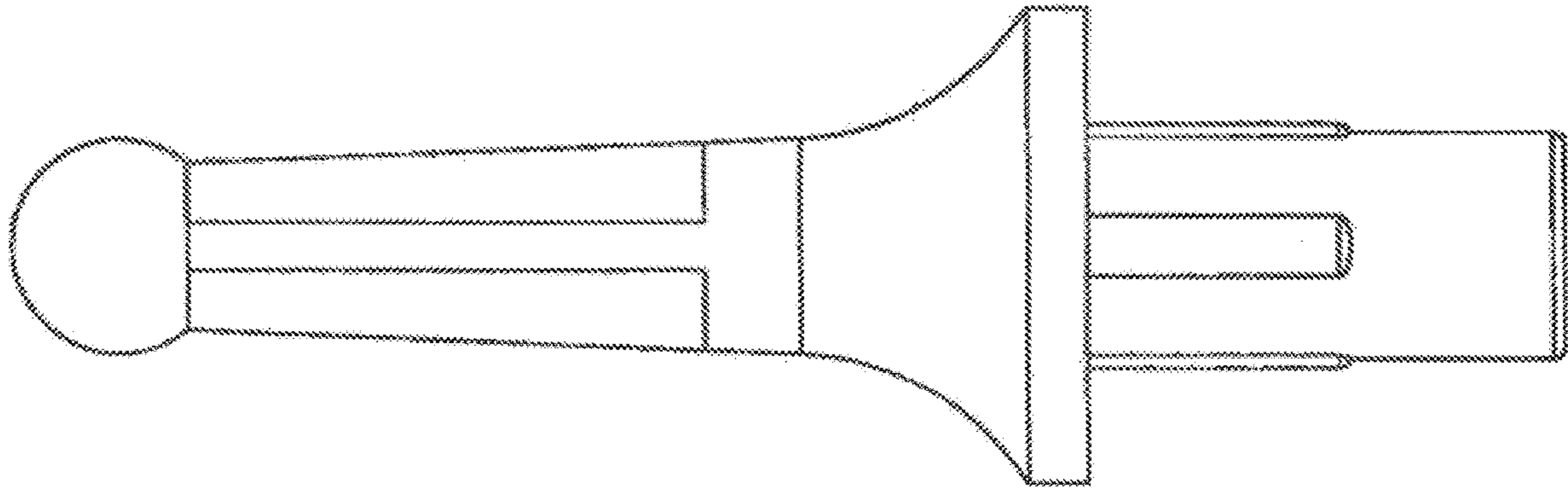


Fig. 2

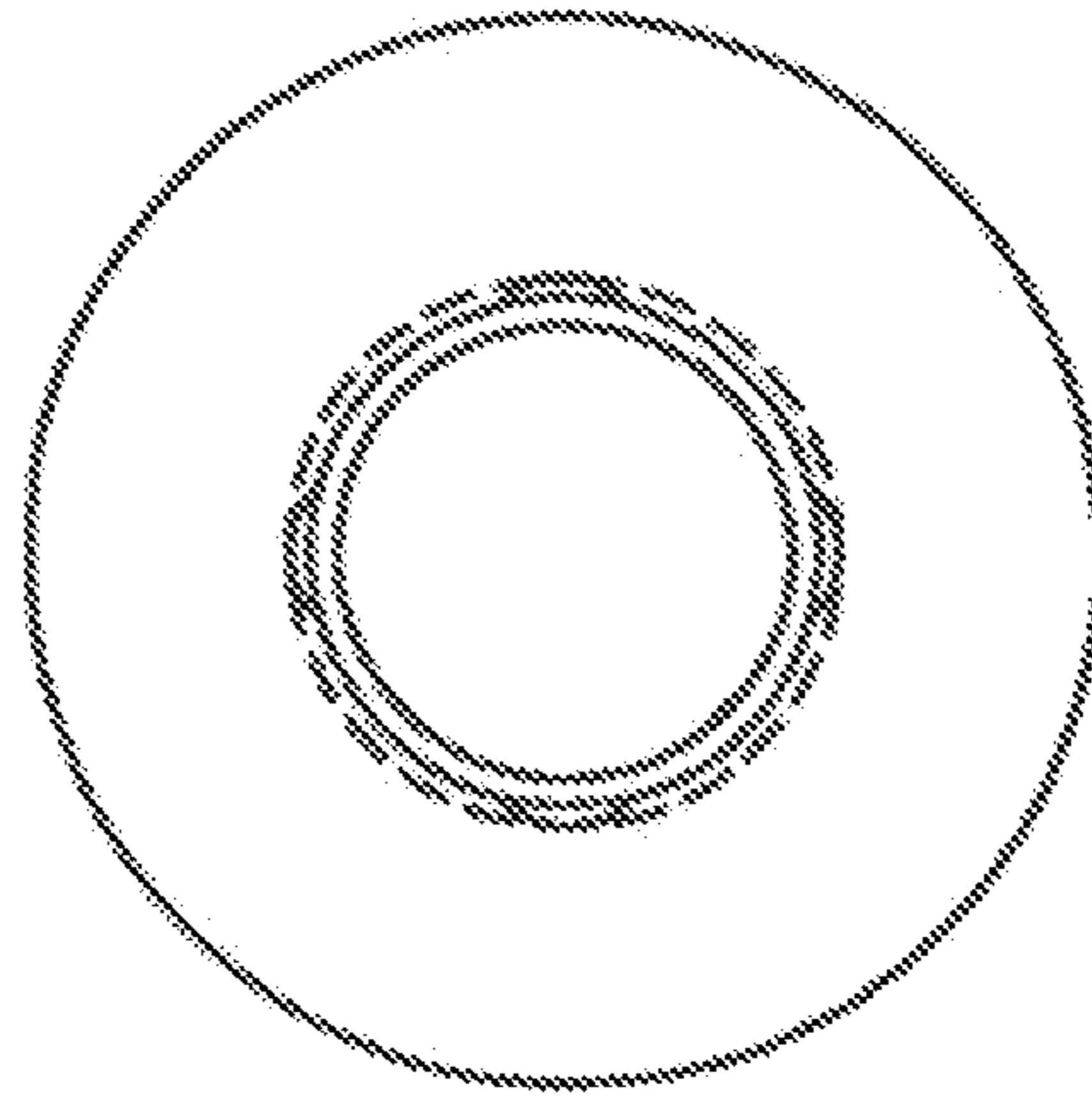


Fig. 3

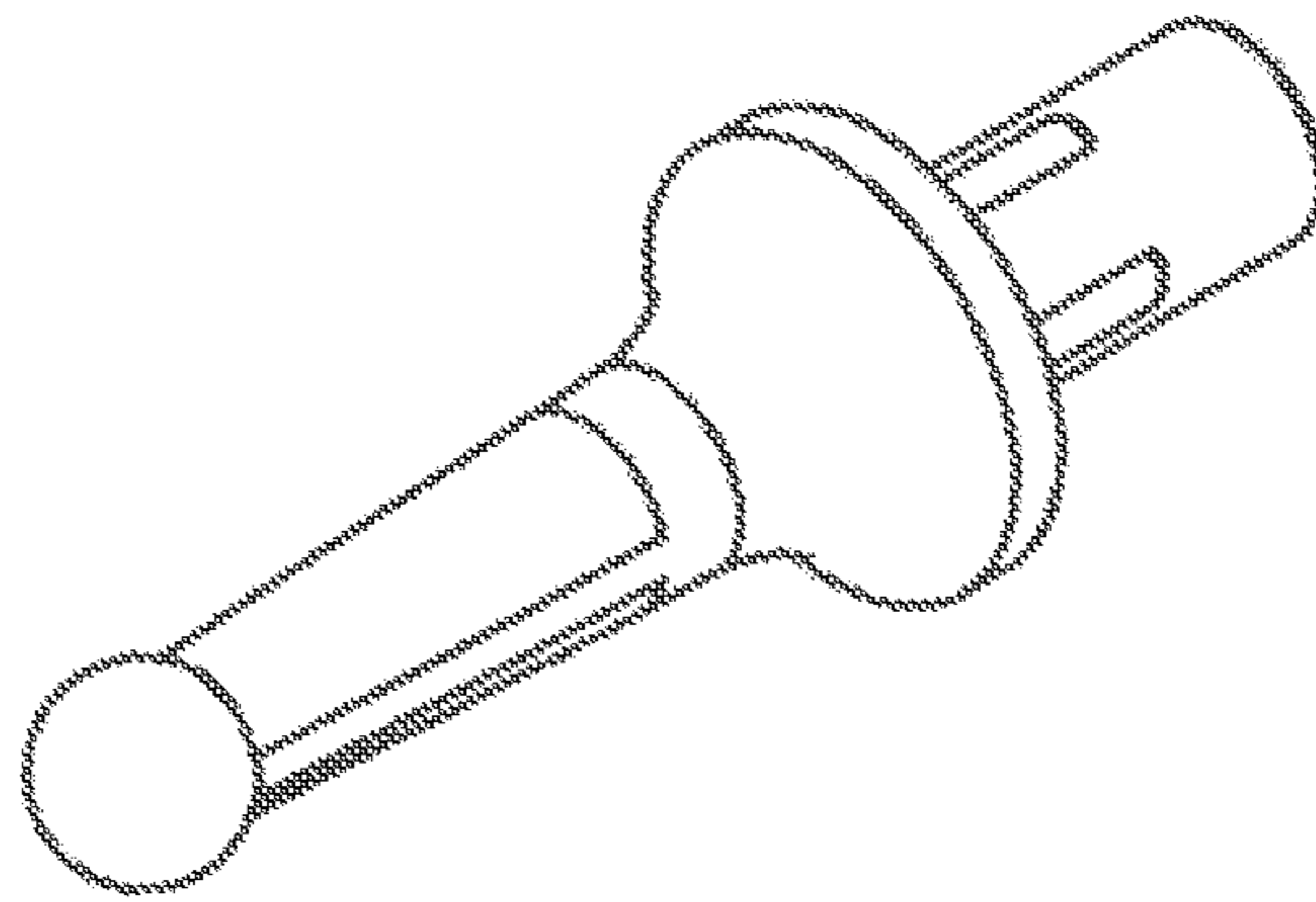


Fig. 4

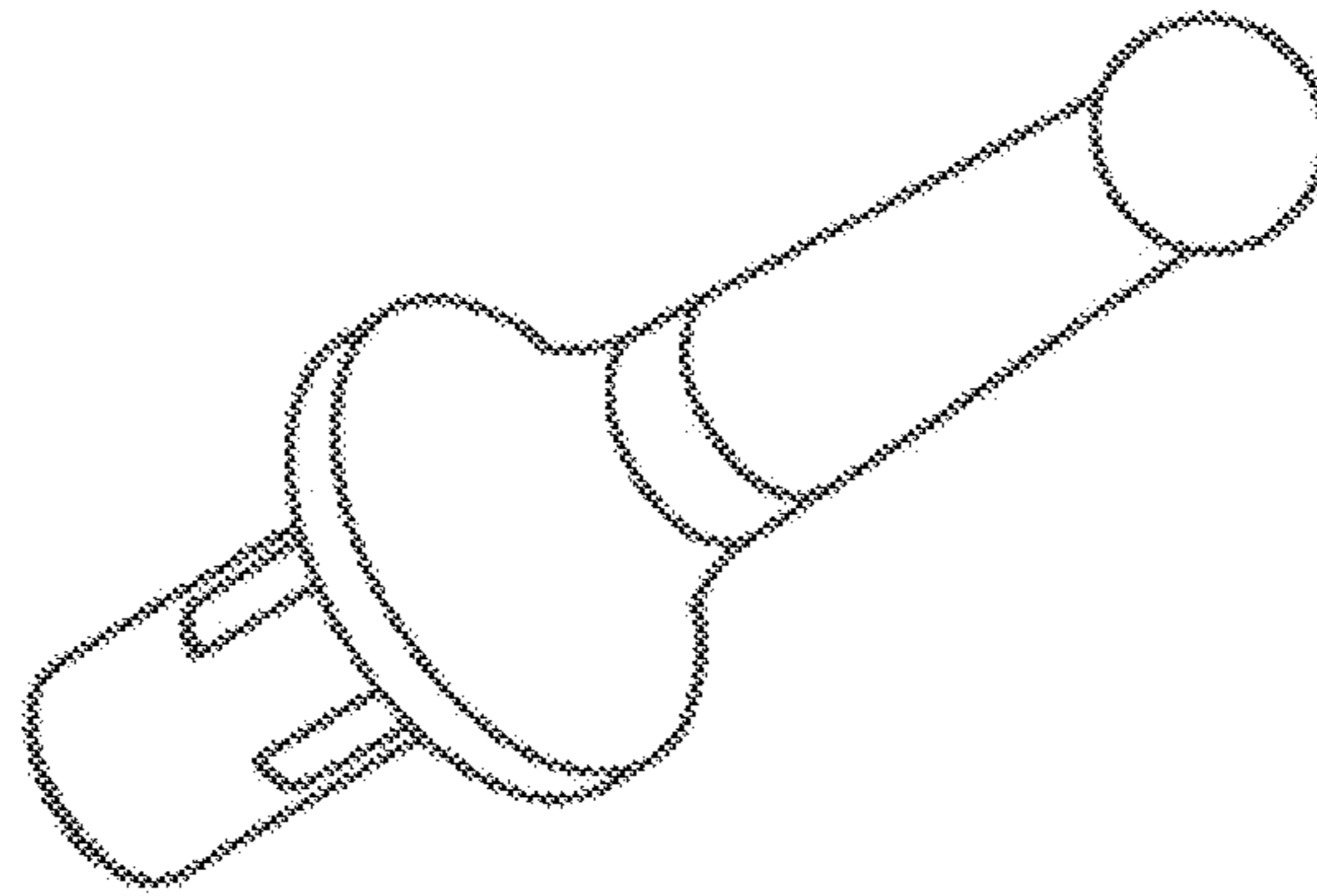


Fig. 5

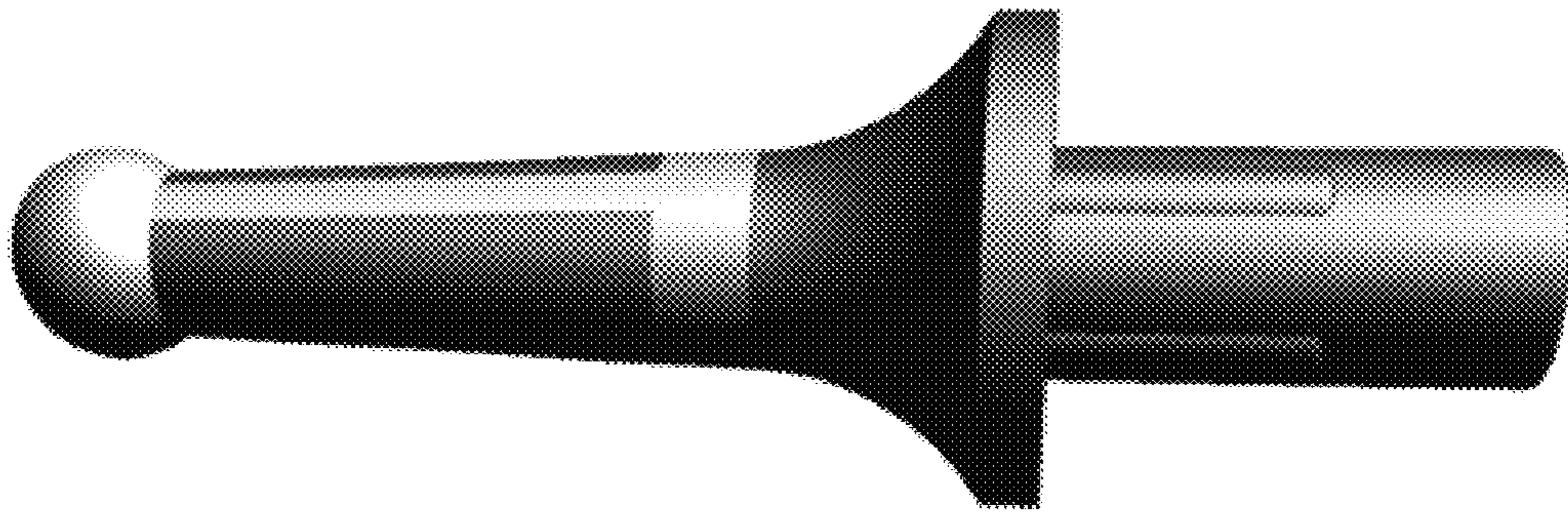


Fig. 6

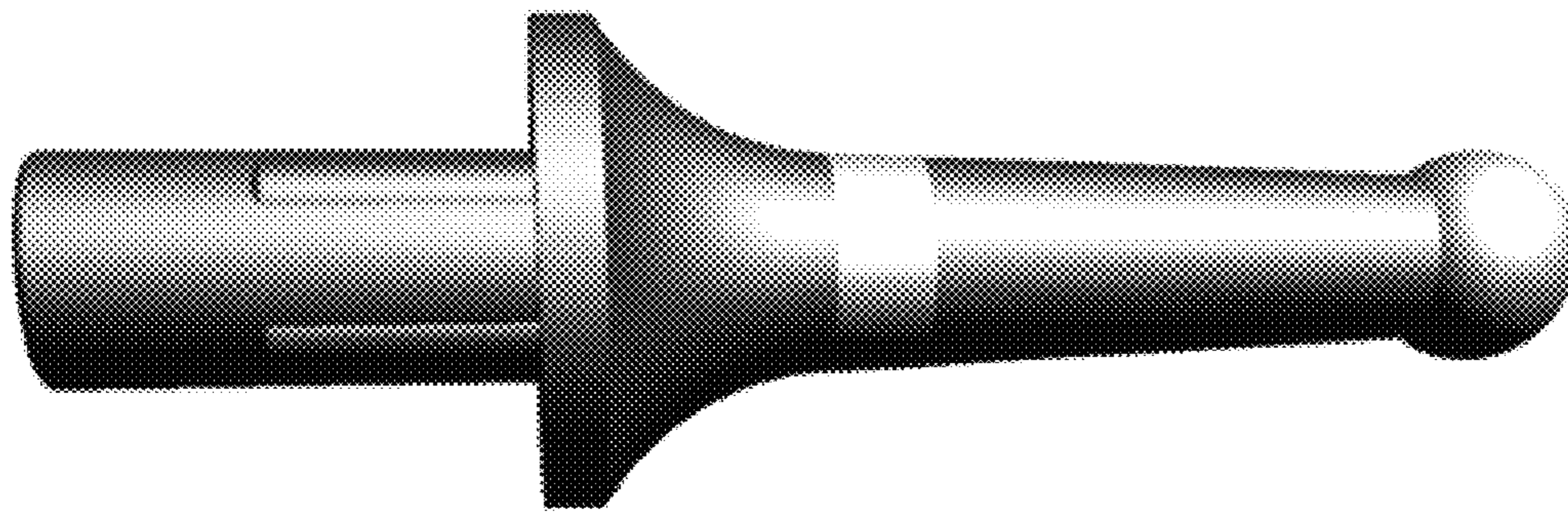


Fig. 7

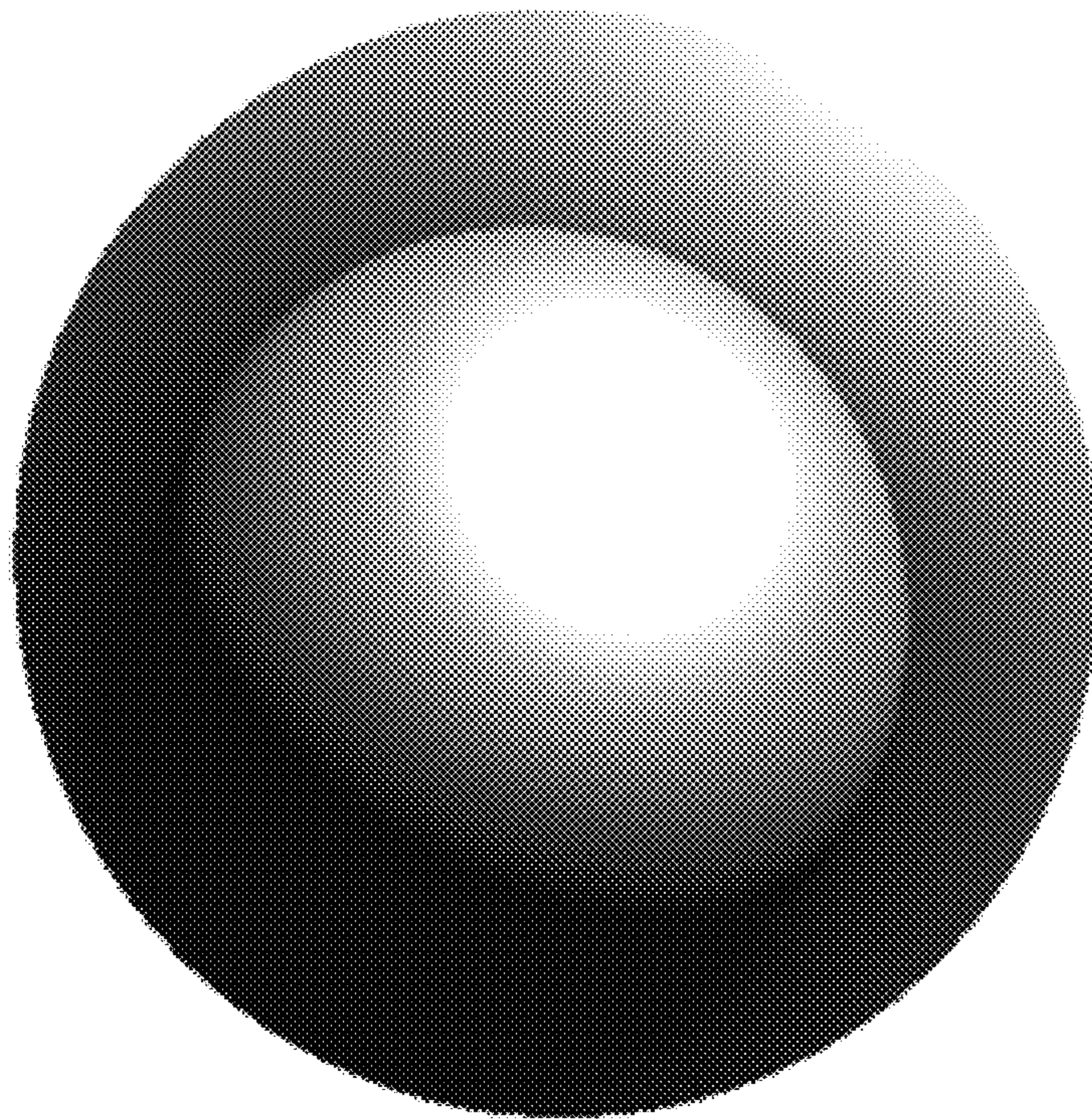


Fig. 8

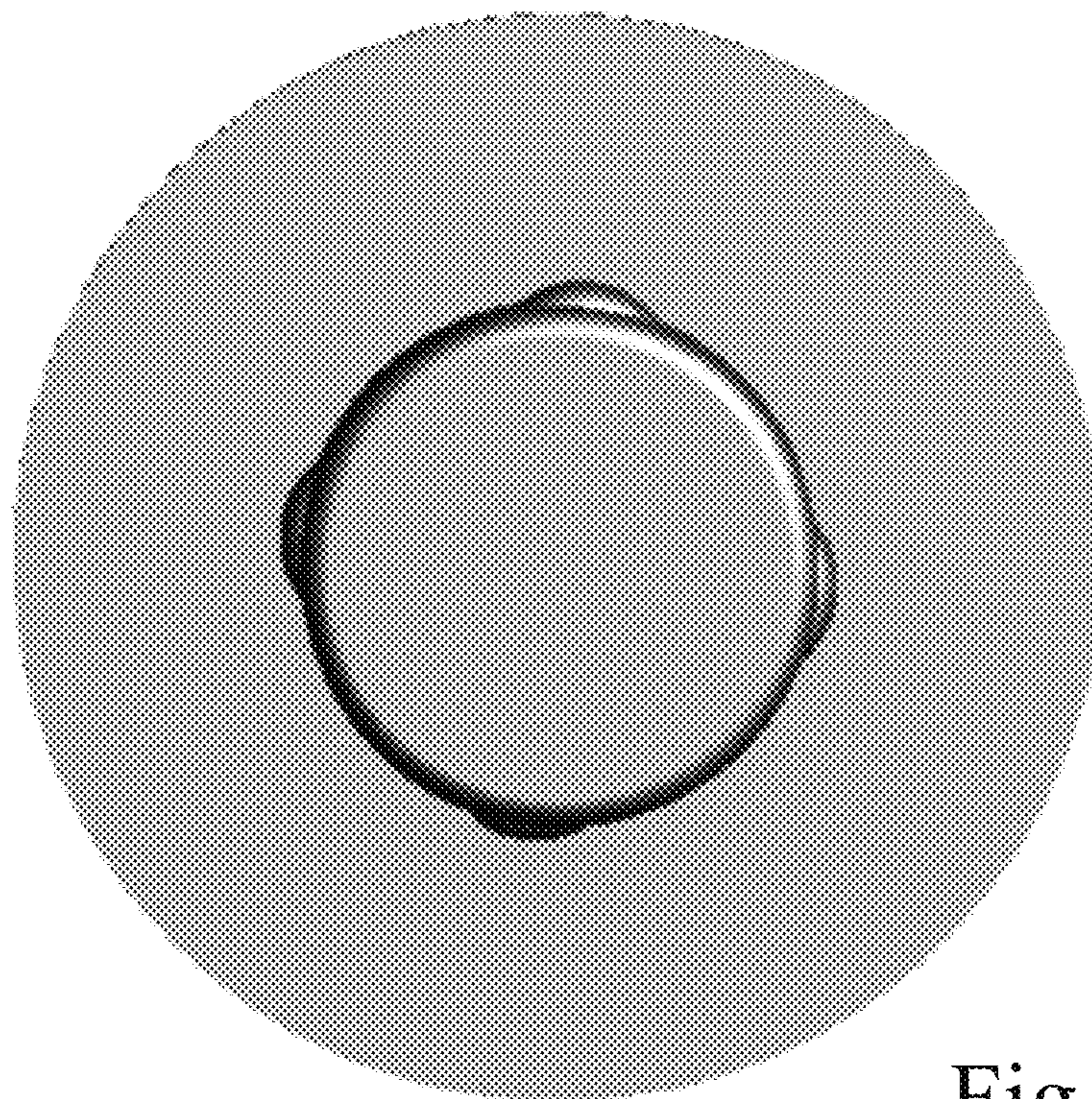


Fig. 9

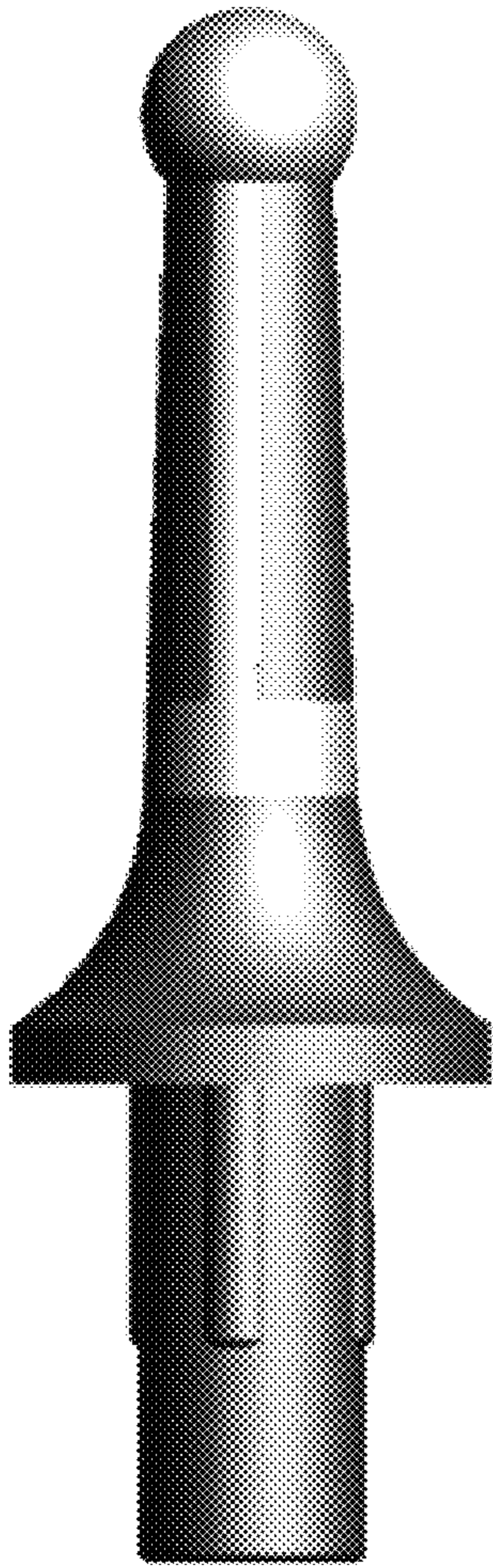


Fig. 10

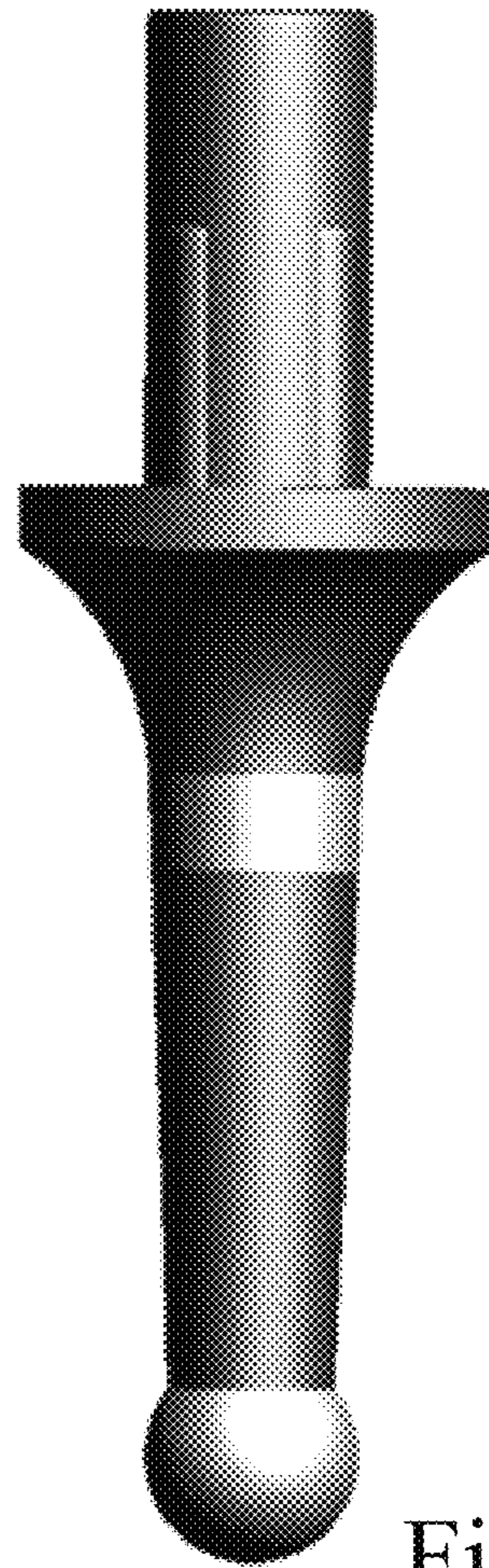


Fig. 11

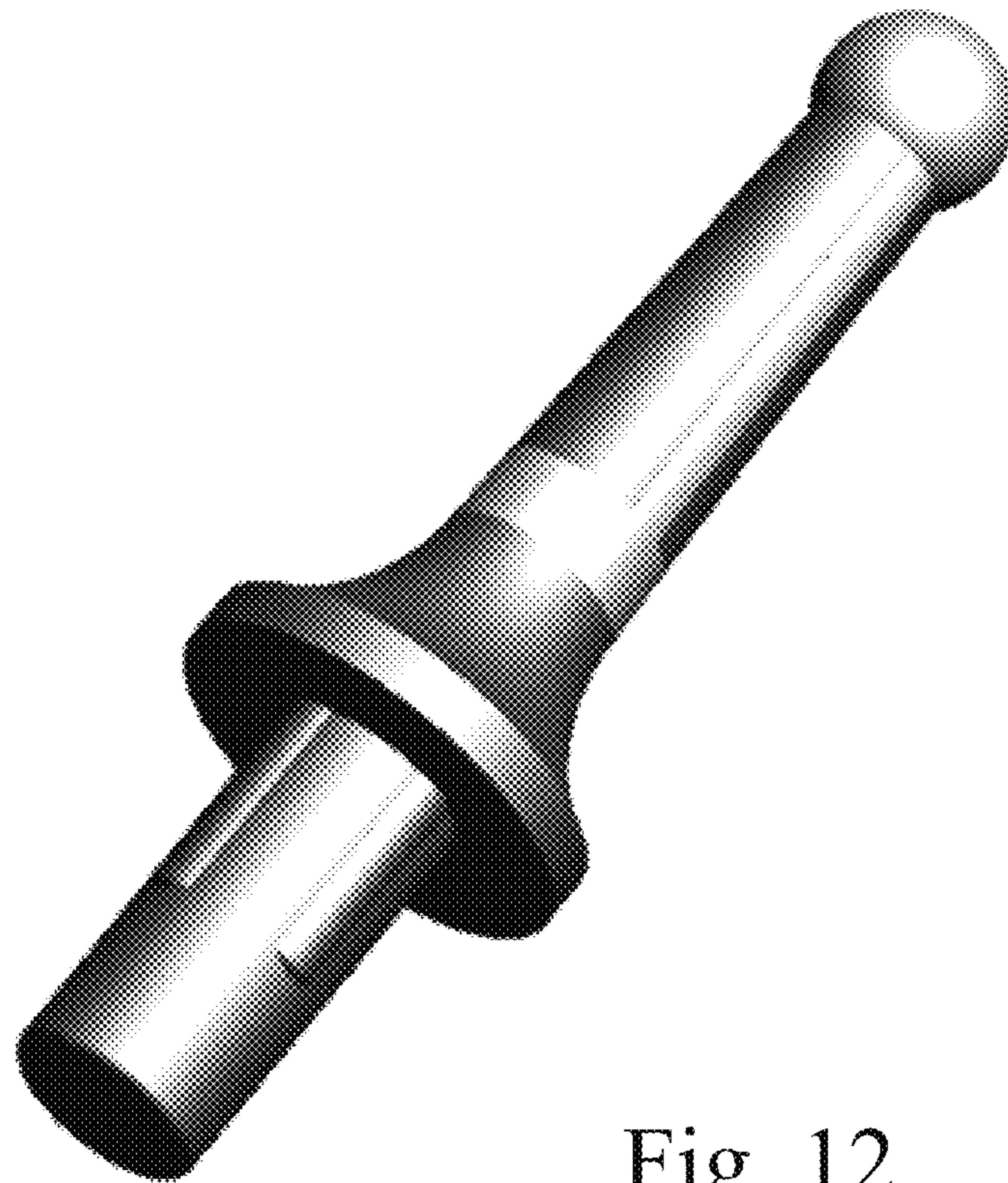


Fig. 12