



US00D917694S

(12) **United States Design Patent** (10) **Patent No.:** **US D917,694 S**  
**Schneider et al.** (45) **Date of Patent:** **\*\* Apr. 27, 2021**

(54) **INJECTION DEVICE ADD-ON**

FOREIGN PATENT DOCUMENTS

(71) Applicant: **Ypsomed AG**, Burgdorf (CH)

EM 0052277900001 4/2018  
EM 0052277900002 4/2018

(72) Inventors: **Andreas Schneider**, Bern (CH);  
**Christoph Jordi**, Aarau (CH); **Leos Urbanek**, Bern (CH)

(Continued)

*Primary Examiner* — Nathan M Johnston

(74) *Attorney, Agent, or Firm* — Dorsey & Whitney LLP

(73) Assignee: **Ypsomed AG**, Burgdorf (CH)

(57) **CLAIM**

(\*\*) Term: **15 Years**

We claim the ornamental design for an injection device add-on, as shown and described.

(21) Appl. No.: **29/665,672**

(22) Filed: **Oct. 5, 2018**

**DESCRIPTION**

(30) **Foreign Application Priority Data**

Apr. 9, 2018 (EM) ..... 005227790-0001  
Apr. 9, 2018 (EM) ..... 005227790-0002  
Apr. 9, 2018 (EM) ..... 005227790-0003  
Apr. 9, 2018 (EM) ..... 005227790-0004  
Apr. 9, 2018 (EM) ..... 005227790-0005  
Apr. 9, 2018 (EM) ..... 005227790-0006  
Apr. 9, 2018 (EM) ..... 005227790-0007  
Apr. 9, 2018 (EM) ..... 005227790-0008

(Continued)

(51) **LOC (13) Cl.** ..... **24-02**

(52) **U.S. Cl.**  
USPC ..... **D24/130; D24/113**

(58) **Field of Classification Search**  
USPC ..... D24/127–131, 112–114, 133, 186;  
606/181, 185; 604/264, 523–528, 272,  
(Continued)

(56) **References Cited**

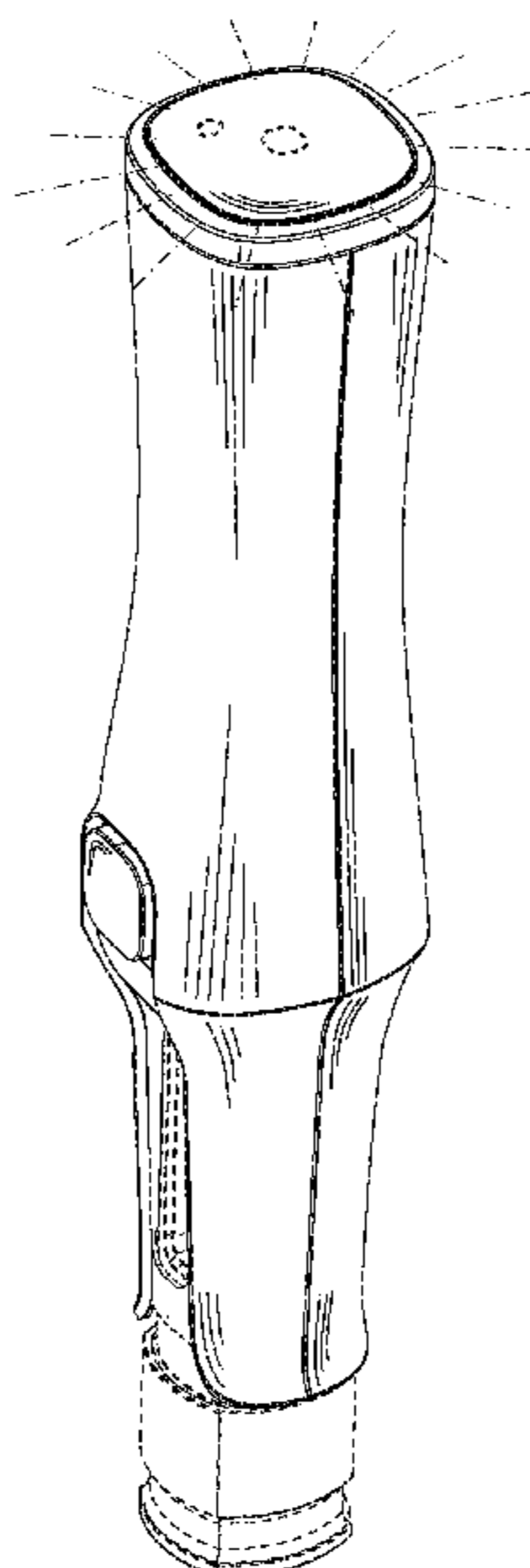
U.S. PATENT DOCUMENTS

D628,690 S \* 12/2010 Galbraith ..... D24/114  
D677,380 S \* 3/2013 Julian ..... D24/113

(Continued)

FIG. 1 is a right side view of an injection device add-on. FIG. 2 is a front view of the design of FIG. 1. FIG. 3 is a left side view of the design of FIG. 1. FIG. 4 is a rear view of the design of FIG. 1. FIG. 5 is a bottom view of the design of FIG. 1. FIG. 6 is a top view of the design of FIG. 1. FIG. 7 is a right side isometric and top view of the design as in FIG. 1. additionally showing (in broken lines) the injection device environment of the design. FIG. 8 is a right side isometric and bottom view of the design of FIG. 1. additionally showing (in broken lines) the injection device environment of the design of the design of FIG. 1. FIG. 9 is a right side isometric and top view of the design of FIG. 1; and, FIG. 10 is a right side isometric and bottom view of the design of FIG. 1. The broken lines in FIGS. 2 and 4-10 depict portions of the article or of the injection device environment of the article that form no part of the claimed design. The radiating dash-dot lines in FIGS. 1-4, 6-7 and 9 represent illumination, emanating at an encircling band near the outer edge of the top of the design. These dash-dot lines form no part of the claimed design.

**1 Claim, 4 Drawing Sheets**



(30) **Foreign Application Priority Data**

Sep. 18, 2018 (EM) ..... 005648037-0001  
 Sep. 18, 2018 (EM) ..... 005648037-0002  
 Sep. 18, 2018 (EM) ..... 005648037-0003  
 Sep. 18, 2018 (EM) ..... 005648037-0004

(58) **Field of Classification Search**

USPC ..... 604/187, 158, 164.01-164.11, 181, 184,  
 604/227, 220; 600/101, 139, 143;  
 128/200.24, 207.14, 207.15  
 CPC ..... A61M 5/178; A61M 3/00; A61M 5/20;  
 A61M 5/31; A61M 5/3146; A61M  
 5/3129; A61M 5/3148; A61M 5/315  
 See application file for complete search history.

(56) **References Cited**

U.S. PATENT DOCUMENTS

D732,161 S \* 6/2015 Ohashi ..... D24/113  
 D774,641 S \* 12/2016 Miggels ..... D24/113  
 D780,909 S \* 3/2017 Burkett ..... D24/113

D788,909 S \* 6/2017 Ratjen ..... D24/113  
 D796,669 S \* 9/2017 Palmer ..... D24/130  
 D810,282 S \* 2/2018 Ratjen ..... D24/113  
 D851,754 S \* 6/2019 Boyaval ..... D24/113  
 2013/0218090 A1\* 8/2013 Roberts ..... 604/192  
 2016/0144132 A1\* 5/2016 Scanlon ..... A61M 5/3204  
 604/192  
 2017/0332969 A1\* 11/2017 Martin ..... A61B 5/1114  
 2019/0217022 A1\* 7/2019 Gentz ..... A61M 5/3243

FOREIGN PATENT DOCUMENTS

EM 0052277900003 4/2018  
 EM 0052277900004 4/2018  
 EM 0052277900005 4/2018  
 EM 0052277900006 4/2018  
 EM 0052277900007 4/2018  
 EM 0052277900008 4/2018  
 EM 0056480370001 9/2018  
 EM 0056480370002 9/2018  
 EM 0056480370003 9/2018  
 EM 0056480370004 9/2018

\* cited by examiner

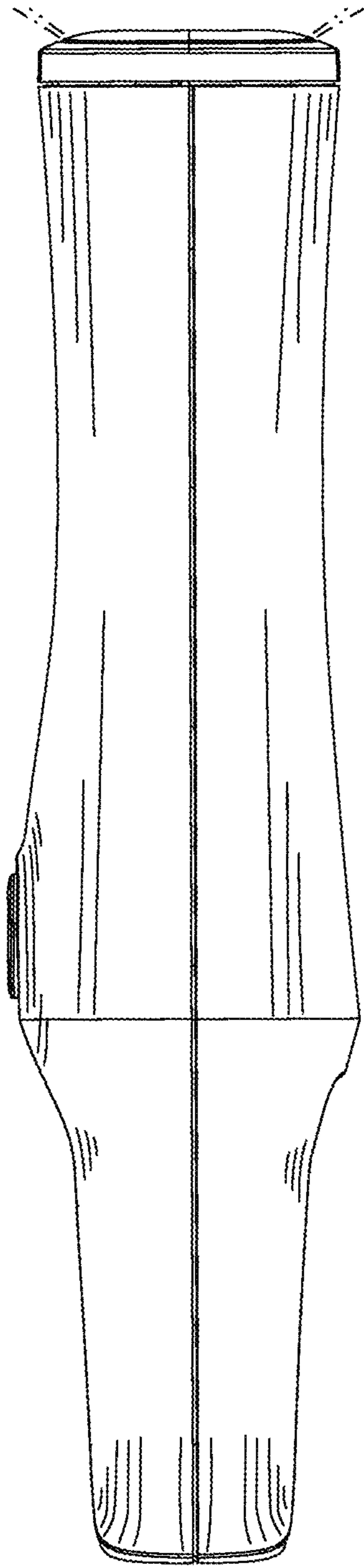


Fig. 1

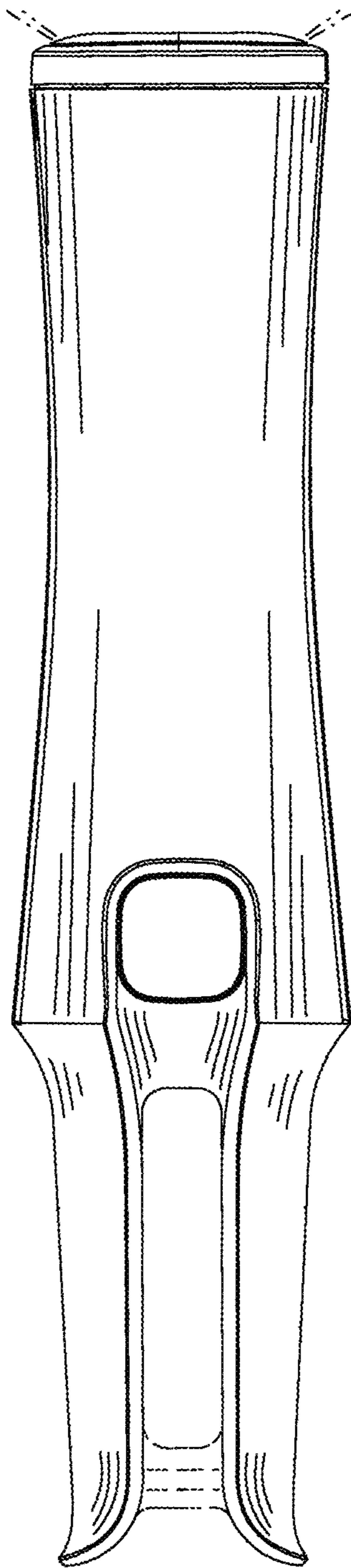


Fig. 2



Fig. 3

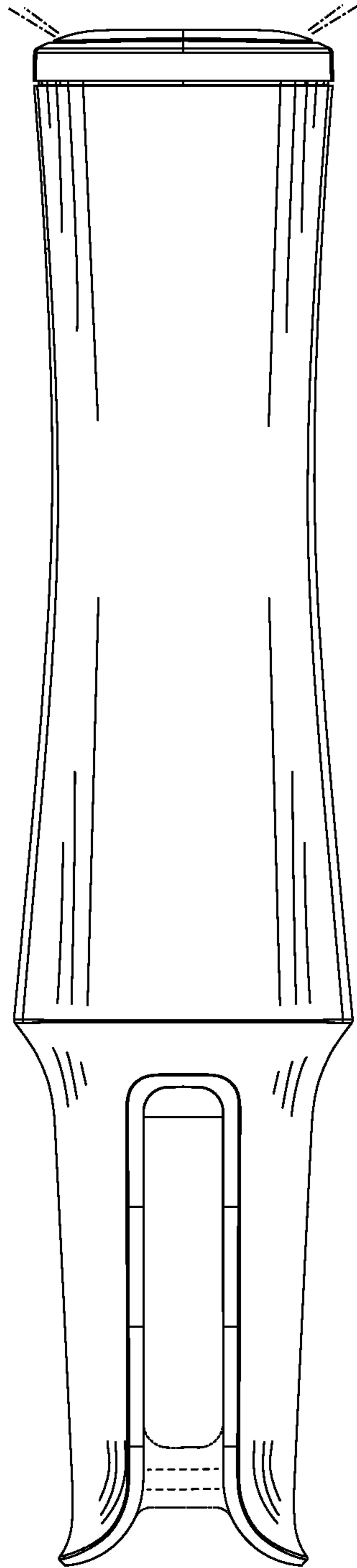


Fig. 4

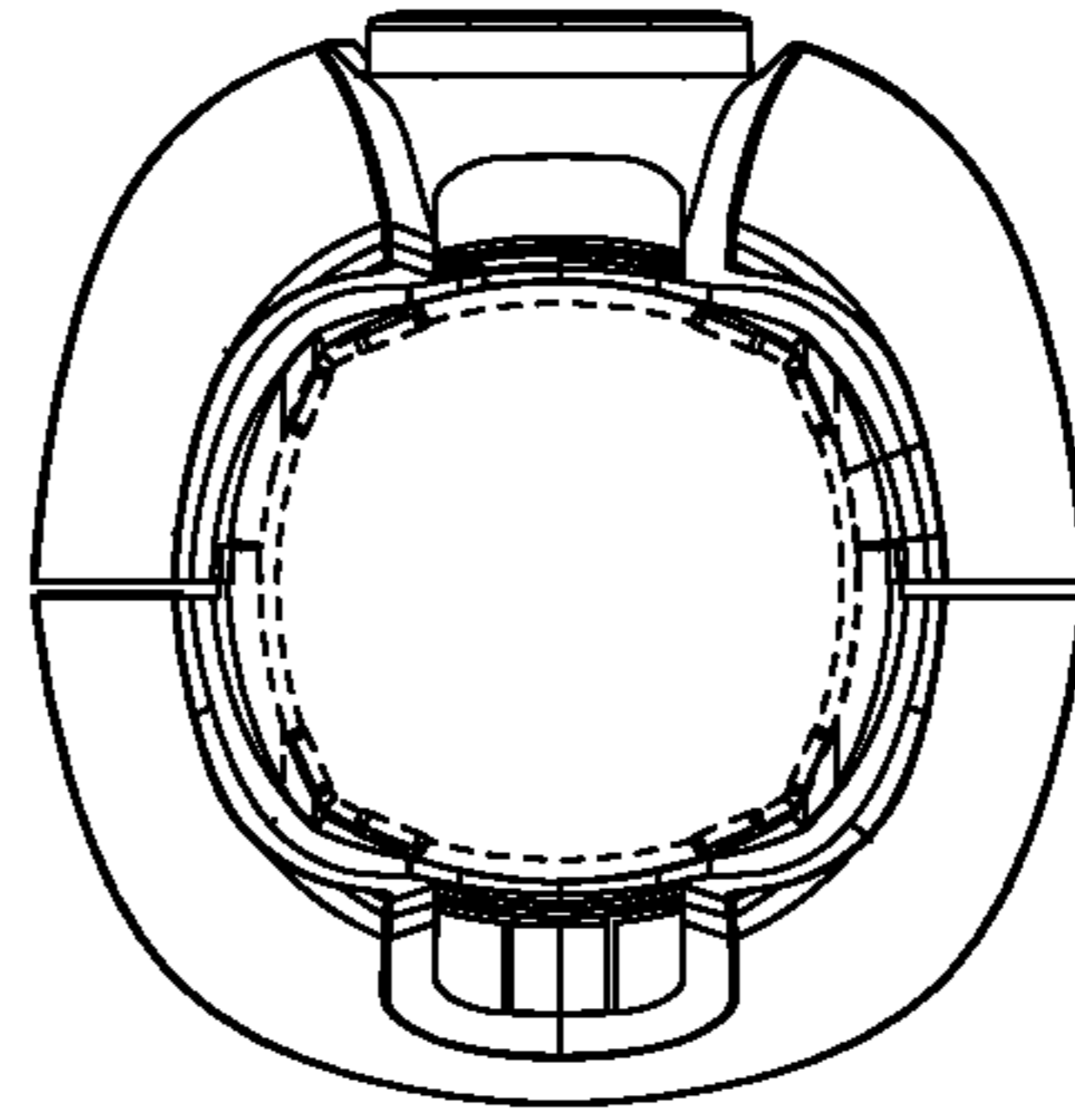


Fig. 5

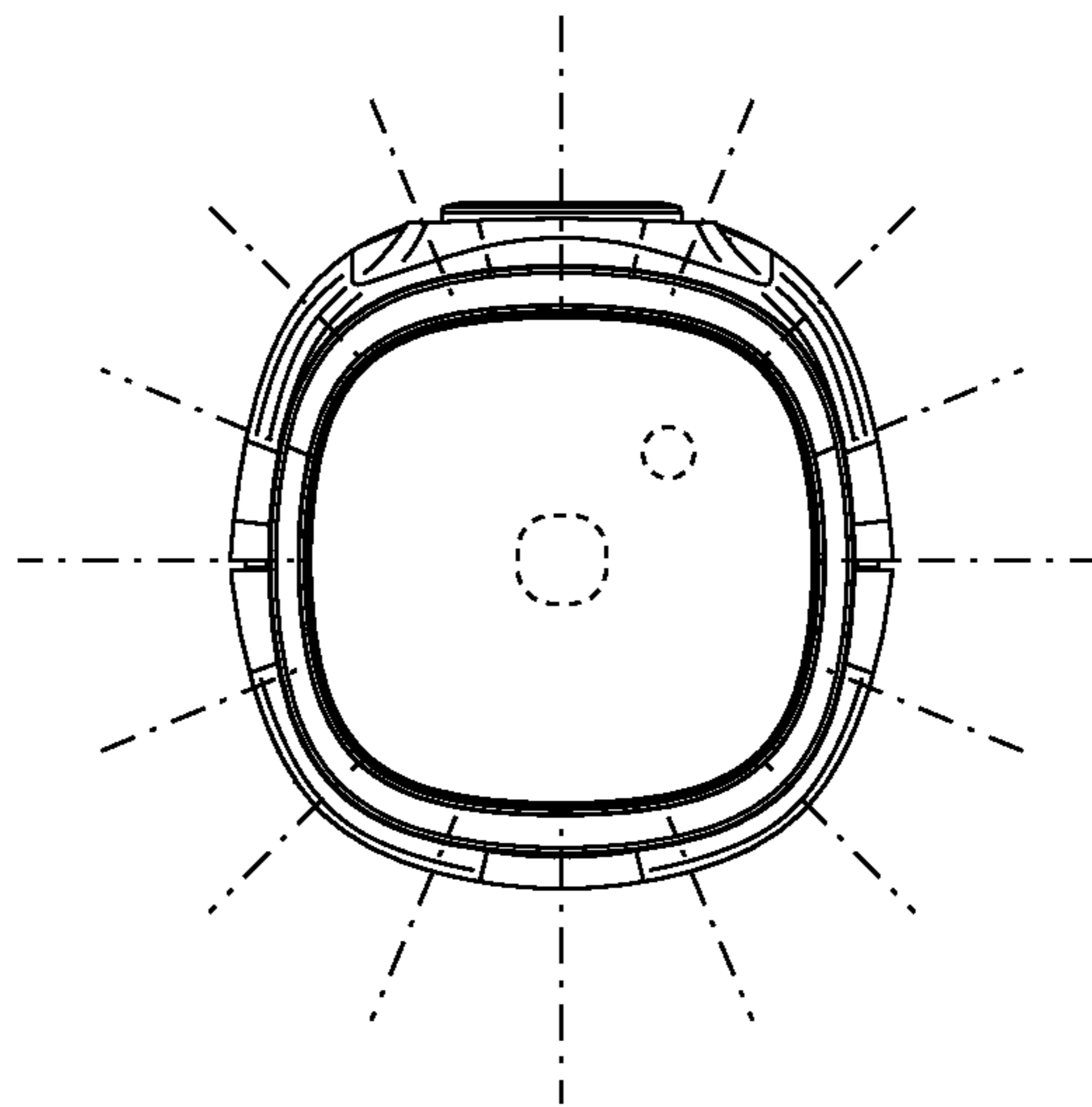


Fig. 6

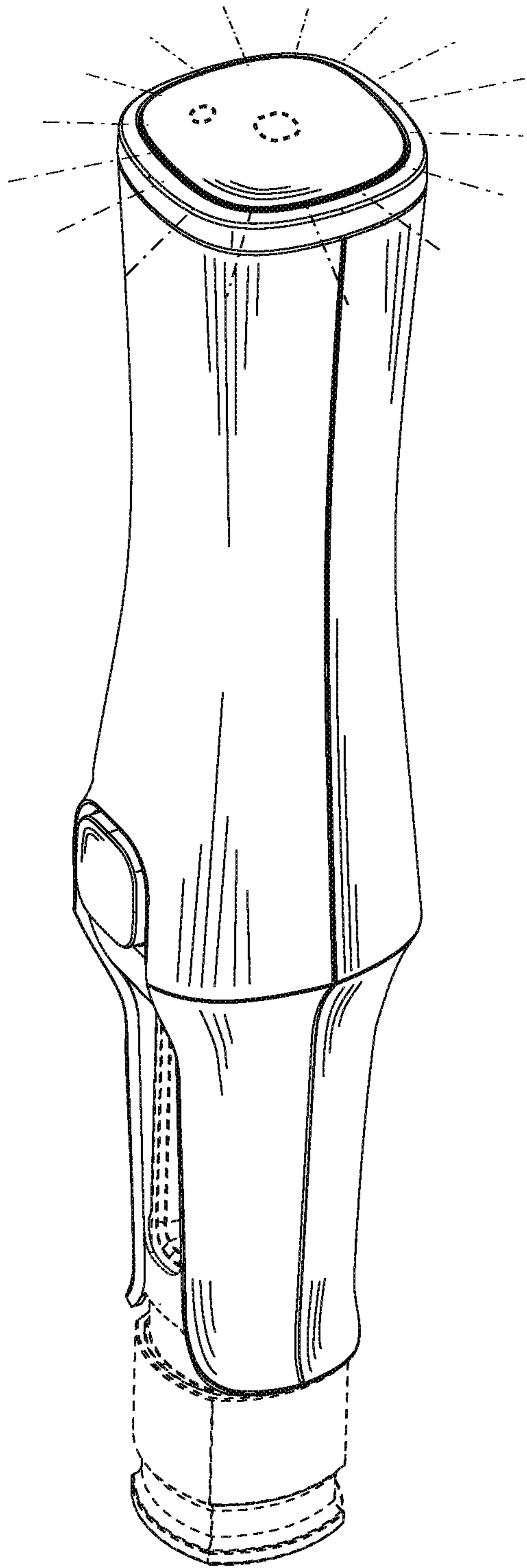


Fig. 7

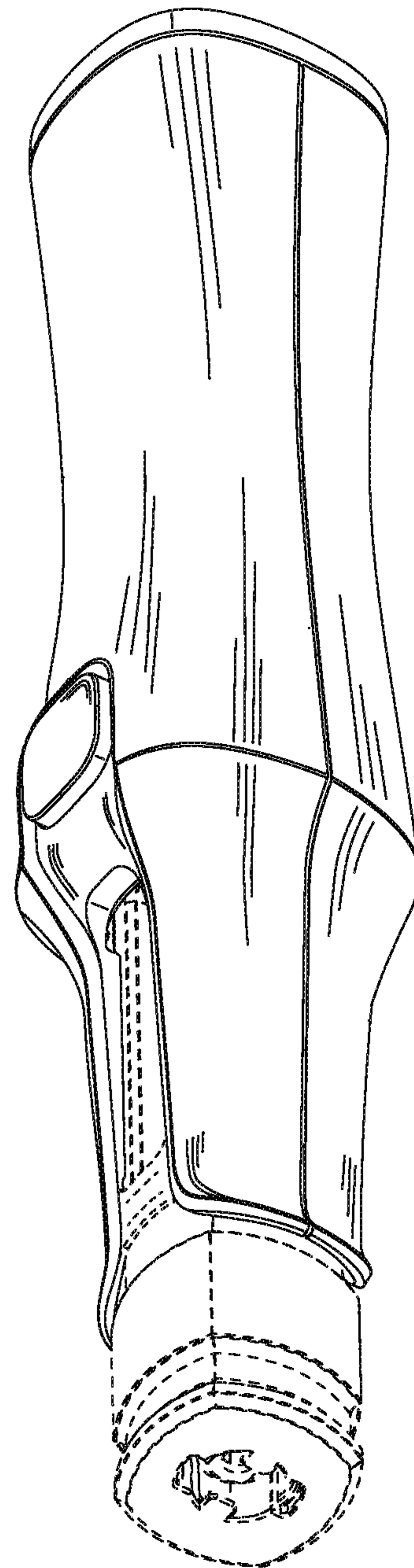


Fig. 8

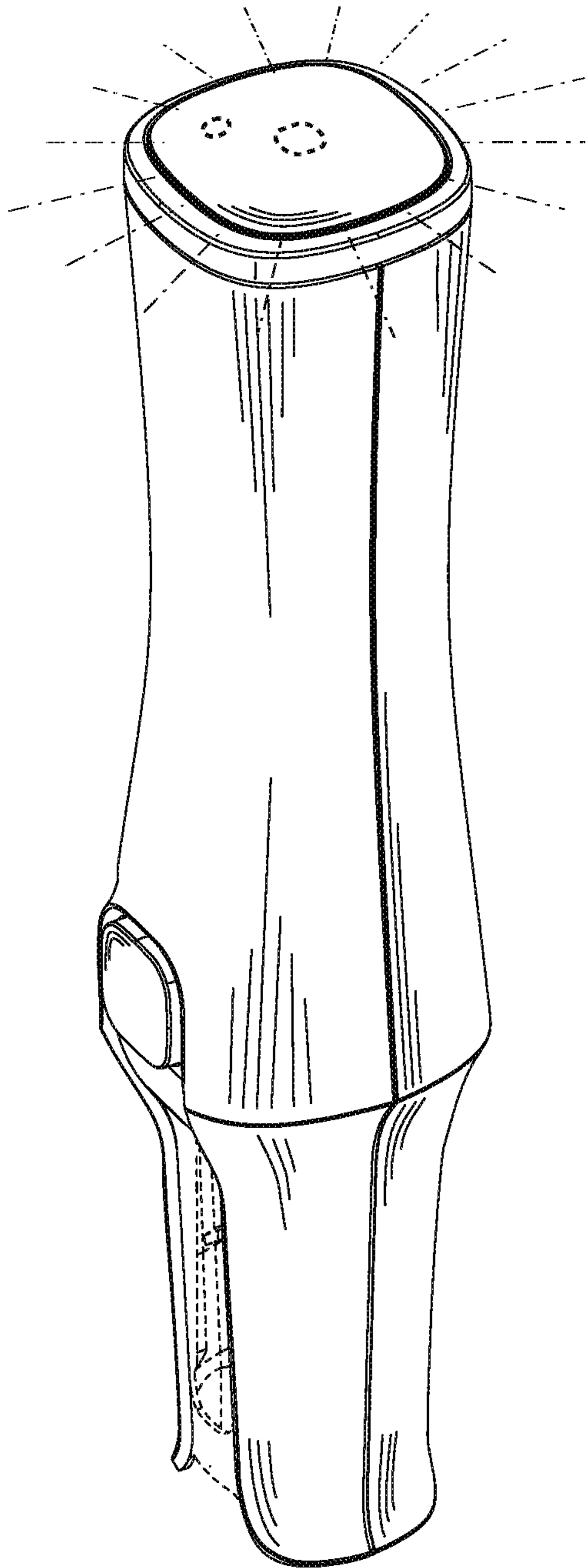


Fig. 9

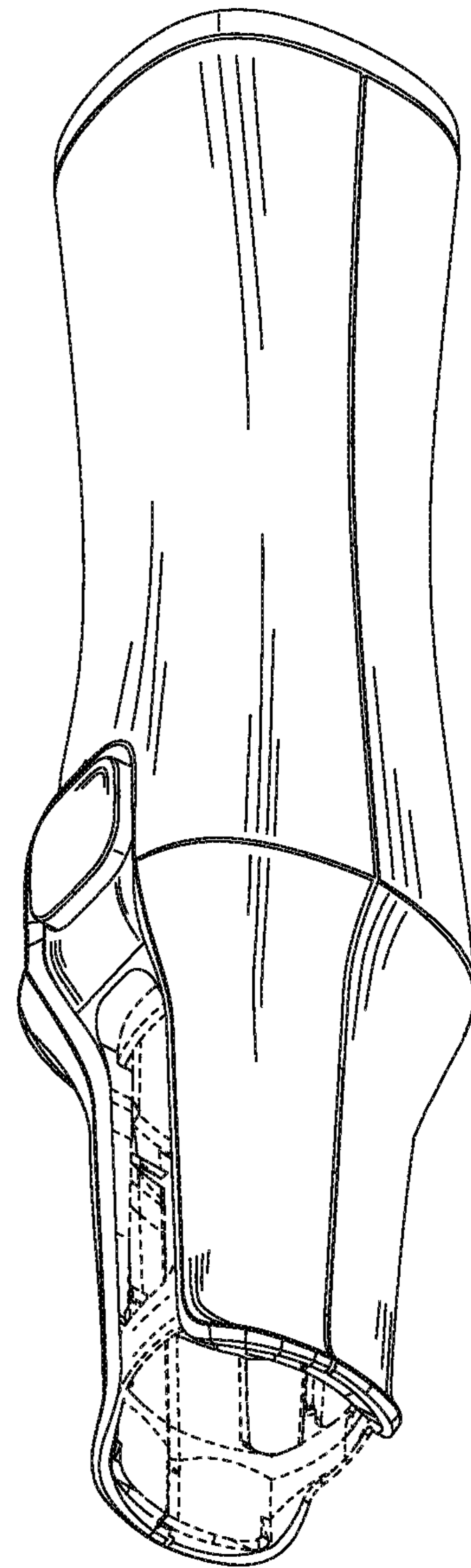


Fig. 10