



US00D917691S

(12) **United States Design Patent** (10) **Patent No.:** **US D917,691 S**  
**Hamilton** (45) **Date of Patent:** **\*\* Apr. 27, 2021**

(54) **BREATH COLLECTION DEVICE**  
(71) Applicant: **QuinTron Instrument Company, Inc.**,  
Milwaukee, WI (US)

3,410,300 A 11/1968 Mondano  
3,426,745 A 2/1969 Farr  
3,437,449 A 4/1969 Luckey  
3,544,273 A 12/1970 McConnaughey  
(Continued)

(72) Inventor: **Eric Lyle Hamilton**, South Milwaukee,  
WI (US)

**FOREIGN PATENT DOCUMENTS**

(73) Assignee: **QUINTRON INSTRUMENT  
COMPANY, INC.**, Milwaukee, WI  
(US)

CN 202030183210.5 \* 4/2020  
DE 4028387 3/1992  
(Continued)

(\*\*) Term: **15 Years**

**OTHER PUBLICATIONS**

(21) Appl. No.: **29/705,952**

European Search Report pertaining to EP17154042.0 dated Jun. 28,  
2017.

(22) Filed: **Sep. 17, 2019**

(Continued)

**Related U.S. Application Data**

(63) Continuation of application No. 15/014,205, filed on  
Feb. 3, 2016, now Pat. No. 10,413,216.

*Primary Examiner* — Janice Hallmark

*Assistant Examiner* — Omeed Agilee

(51) **LOC (13) Cl.** ..... **29-02**

(74) *Attorney, Agent, or Firm* — Ryan, Kromholz &  
Manion, S.C.

(52) **U.S. Cl.**  
USPC ..... **D24/110; D24/224**

(57) **CLAIM**

(58) **Field of Classification Search**  
USPC ..... D24/107, 108, 110.1, 164, 110, 110.4,  
D24/110.5, 113, 224; D10/119.3;  
D27/162–165, 167, 169–170  
CPC ..... A61B 5/097; A61M 2202/064; A61M  
15/0021; A61M 15/06

The ornamental design for a breath collection device, as  
shown and described.

**DESCRIPTION**

See application file for complete search history.

FIG. 1 is a rear perspective view of a breath collection  
device;  
FIG. 2 is a front perspective view of the breath collection  
apparatus device;  
FIG. 3 is a first side view of the breath collection device;  
FIG. 4 is a second side view of the breath collection device;  
FIG. 5 is a rear view of the breath collection device; and,  
FIG. 6 is a front view of the breath collection device.

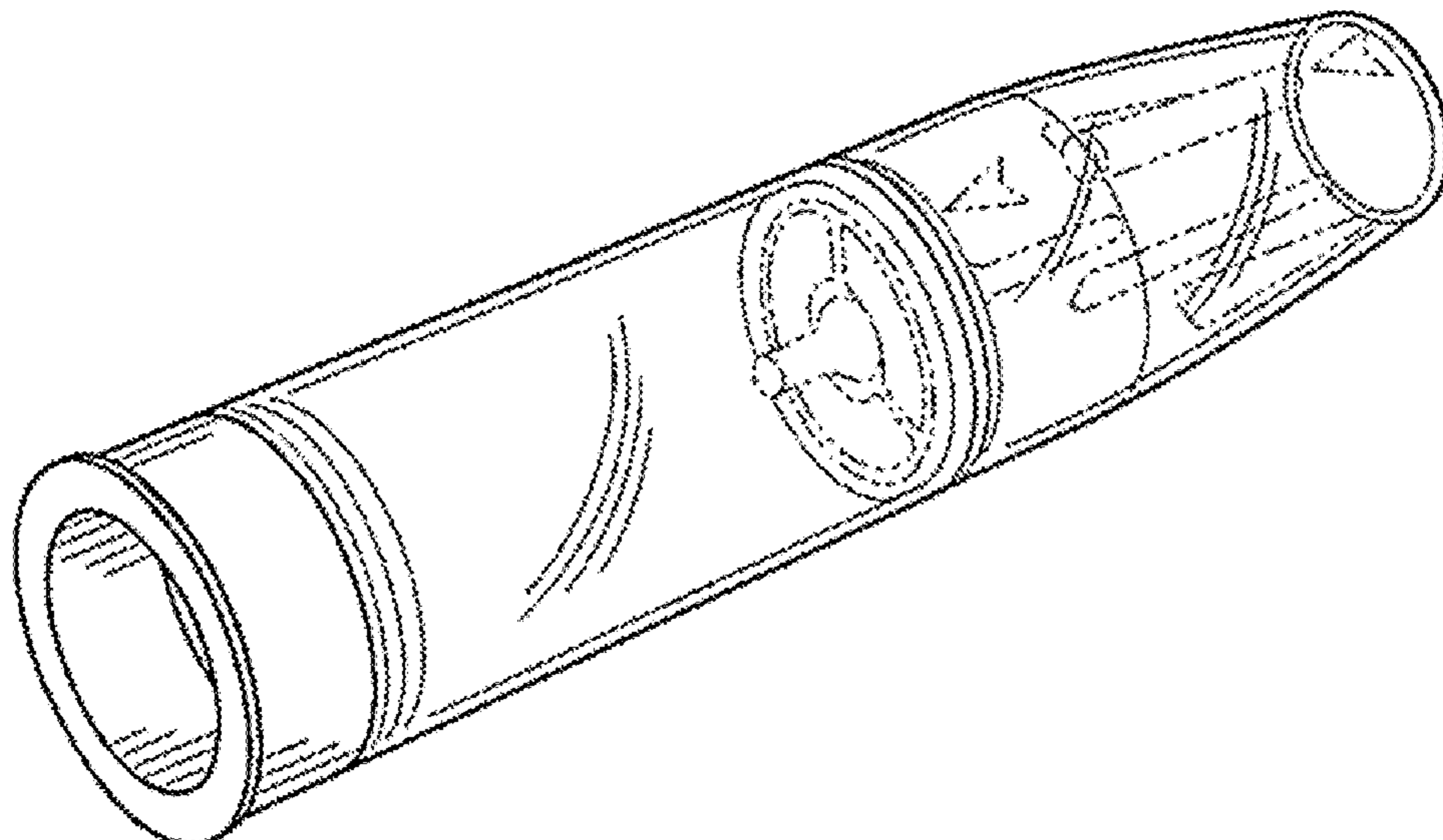
(56) **References Cited**

**U.S. PATENT DOCUMENTS**

1,191,700 A 7/1916 Howes  
1,467,615 A 9/1923 Fairbanks  
D141,458 S \* 6/1945 Rabbes ..... D24/110  
2,795,223 A 6/1957 Stampe  
2,893,683 A 7/1959 Lane  
3,303,840 A 2/1967 Etzlinger  
3,388,705 A 6/1968 Grosshandler

The broken lines in the drawings depict portions of the  
breath collection device that form no part of the claimed  
design.

**1 Claim, 2 Drawing Sheets**



(56)

References Cited

U.S. PATENT DOCUMENTS

3,602,531 A 8/1971 Patry  
 3,734,692 A 5/1973 Lucker et al.  
 3,777,571 A 12/1973 Jaeger  
 3,817,108 A 6/1974 Principe et al.  
 3,858,573 A 1/1975 Ryan  
 3,923,043 A 12/1975 Yanda  
 3,924,832 A 12/1975 Babcock  
 4,076,044 A 2/1978 Schindling  
 4,161,307 A 7/1979 Clinch et al.  
 4,327,741 A 5/1982 Watson et al.  
 D266,695 S 10/1982 Trammil et al.  
 4,470,412 A 9/1984 Nowacki et al.  
 4,506,665 A 3/1985 Andrews et al.  
 D280,765 S 9/1985 Alvino  
 D281,011 S \* 10/1985 Helfer ..... D24/110  
 4,544,273 A 10/1985 Berndt  
 4,579,826 A 4/1986 Bolton et al.  
 4,580,556 A 4/1986 Kondur  
 4,585,254 A 4/1986 Adams  
 D283,914 S 5/1986 Garner  
 4,587,989 A 5/1986 Mayhew, Jr.  
 4,646,786 A 3/1987 Herder et al.  
 4,671,298 A 6/1987 Babb et al.  
 D294,298 S 2/1988 Bush  
 4,809,692 A 3/1989 Nowacki et al.  
 4,821,737 A 4/1989 Nelson  
 4,827,921 A 5/1989 Rugheimer  
 4,832,015 A 5/1989 Nowacki et al.  
 4,850,953 A 7/1989 Haber  
 4,852,563 A 8/1989 Gross  
 4,852,583 A 8/1989 Walker  
 D307,183 S 4/1990 Kalayjian  
 4,919,127 A 4/1990 Pell  
 4,938,210 A 7/1990 Shene  
 4,947,861 A 8/1990 Hamilton  
 4,953,547 A 9/1990 Poole, Jr.  
 5,012,803 A 5/1991 Foley et al.  
 5,012,804 A 5/1991 Foley et al.  
 5,042,500 A 8/1991 Norlien et al.  
 5,042,501 A 8/1991 Kenny et al.  
 5,062,423 A 11/1991 Matson et al.  
 5,066,597 A 11/1991 Stinson et al.  
 5,100,005 A 3/1992 Noble et al.  
 D327,338 S 6/1992 Wallace  
 5,137,520 A 8/1992 Maxson et al.  
 5,140,993 A 8/1992 Opekun, Jr. et al.  
 5,165,393 A 11/1992 Kowaguchi  
 5,327,901 A 7/1994 Delente  
 5,346,089 A 9/1994 Brown et al.  
 5,432,094 A 7/1995 Delente

5,465,728 A 11/1995 Phillips  
 5,467,776 A 11/1995 Hamilton  
 D373,630 S \* 9/1996 Berg ..... D24/110  
 D381,421 S \* 7/1997 Casica ..... D24/128  
 5,711,306 A 1/1998 Guilluy  
 6,019,122 A 2/2000 Chen  
 6,238,352 B1 \* 5/2001 Gillings ..... A61B 5/087  
 600/529  
 6,368,558 B1 4/2002 Suslick et al.  
 D463,546 S \* 9/2002 Jansen ..... D24/110  
 6,468,477 B1 10/2002 Hamilton et al.  
 6,495,102 B1 12/2002 Suslick et al.  
 D691,717 S 10/2013 McClean et al.  
 D701,599 S \* 3/2014 Bengochea ..... D24/110  
 D714,435 S 9/2014 Maguire  
 D716,965 S \* 11/2014 Fruscella ..... D24/224  
 D722,688 S 2/2015 Hamilton  
 D735,787 S \* 8/2015 Hassan ..... D15/144  
 D831,834 S \* 10/2018 Bader ..... D24/187  
 D833,003 S \* 11/2018 Papst ..... D24/121  
 D840,529 S \* 2/2019 Steinberg ..... D24/110  
 D849,317 S \* 5/2019 Qiu ..... D27/162  
 D852,375 S \* 6/2019 Druga, Sr. .... D24/224  
 D879,319 S \* 3/2020 Kakuda ..... D24/224  
 D879,320 S \* 3/2020 Kakuda ..... D24/224  
 D894,478 S \* 8/2020 Fornarelli ..... D27/162  
 D903,095 S \* 11/2020 Boyle ..... D24/110  
 2004/0157281 A1 8/2004 Hulkower  
 2012/0226183 A1 9/2012 Christman et al.  
 2014/0057141 A1 2/2014 Mosso  
 2014/0127326 A1 5/2014 Sood  
 2016/0338620 A1 \* 11/2016 Masavage ..... A61B 5/082  
 2017/0215764 A1 \* 8/2017 Hamilton ..... A61B 5/097  
 2020/0116691 A1 \* 4/2020 Maffei ..... A61B 5/097

FOREIGN PATENT DOCUMENTS

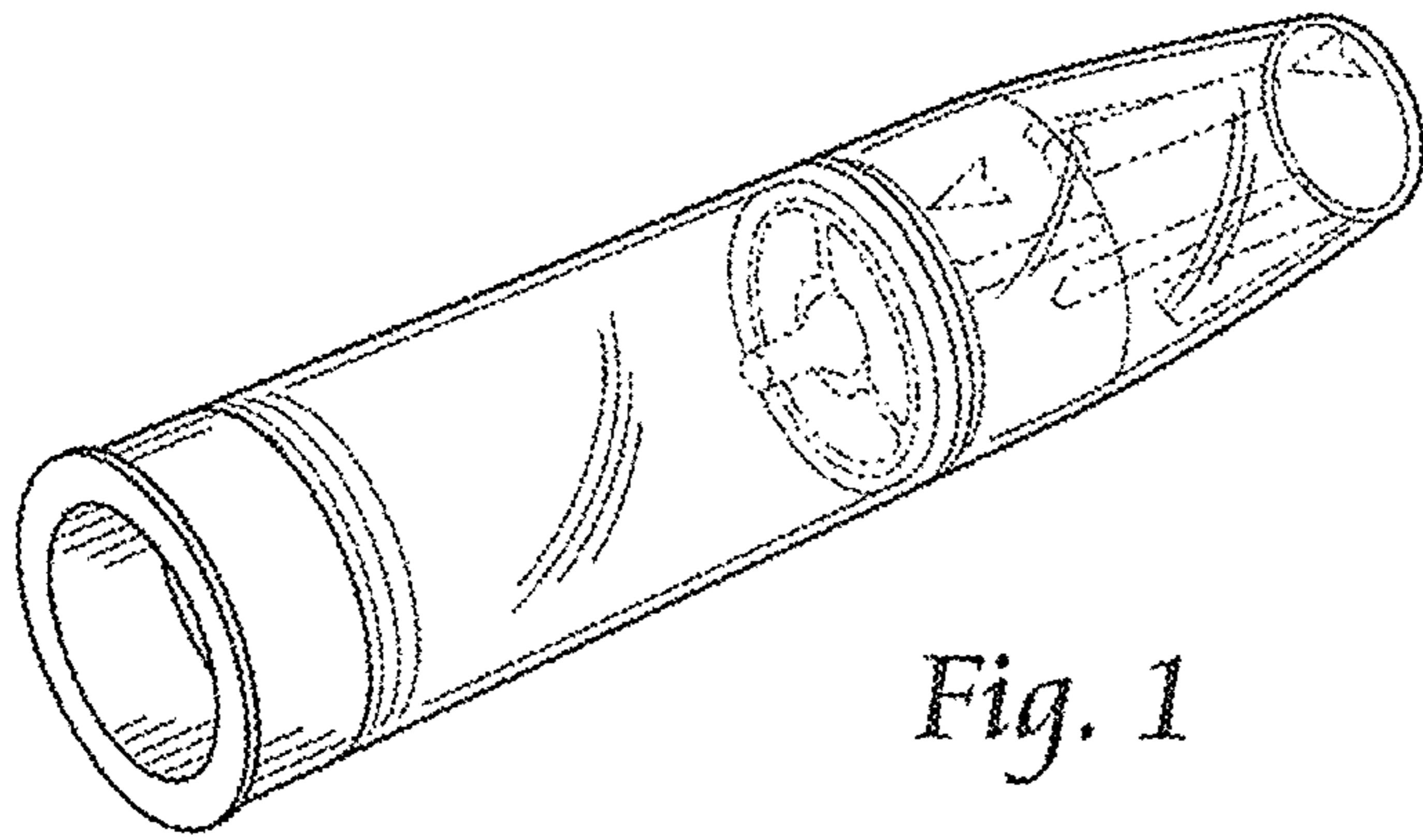
FR 1294835 4/1962  
 FR 2497686 7/1982  
 GB 2064324 6/1981  
 GB 2230456 10/1990  
 WO WO1993/011817 6/1993

OTHER PUBLICATIONS

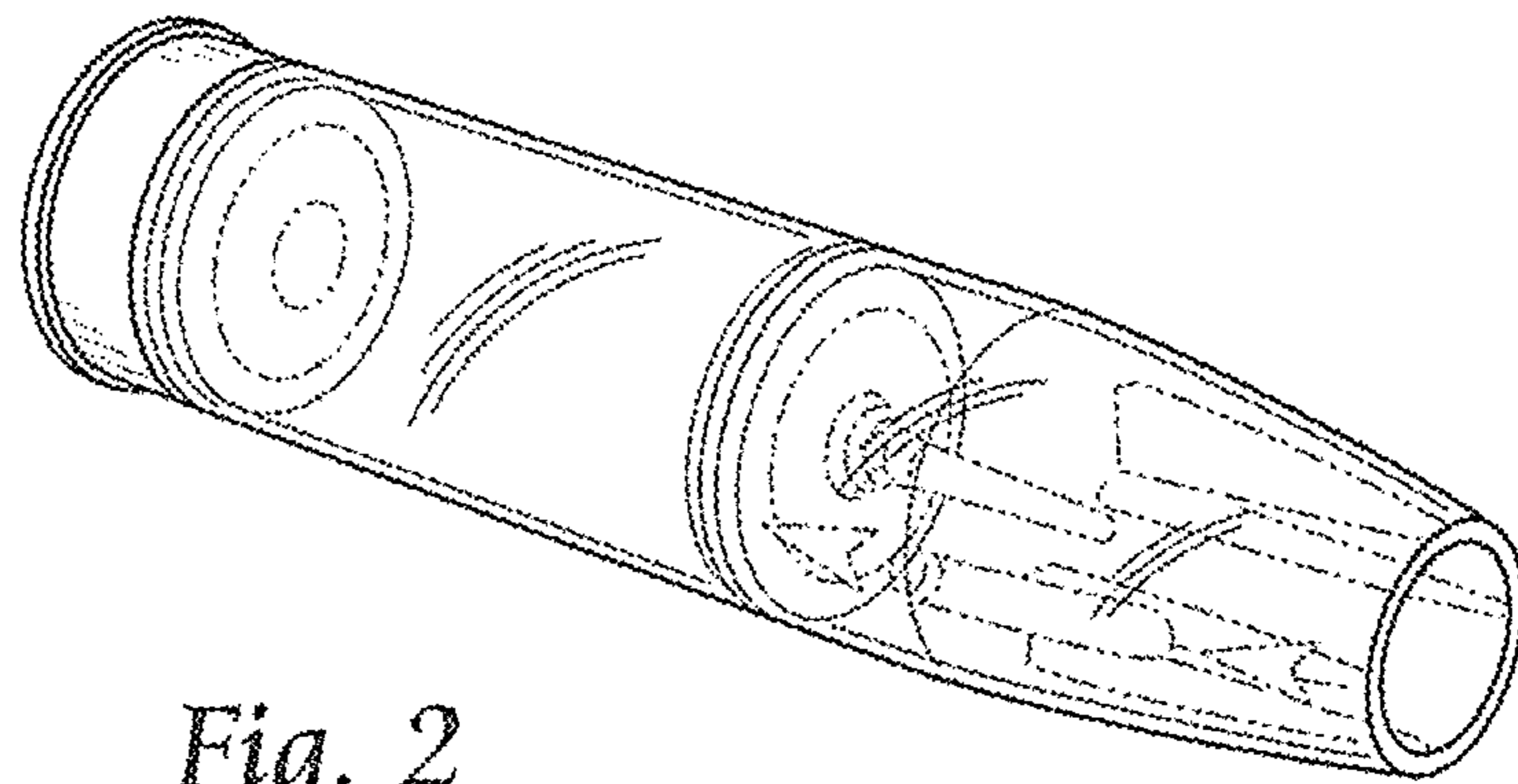
Rakow, "A Colorimetric Sensor Array for Odour Visualization",  
 Nature, vol. 406, Aug. 17, 2000.  
 Webpage: [www.chemsensing.com/hepatotoxicity.html](http://www.chemsensing.com/hepatotoxicity.html)—  
 ChemSensing, Hepatotoxicity, Dec. 29, 2004.  
 Webpage: [www.chemsensing.com/elisa.html](http://www.chemsensing.com/elisa.html)—ChemSensing, Elisa, Dec.  
 29, 2004.

\* cited by examiner

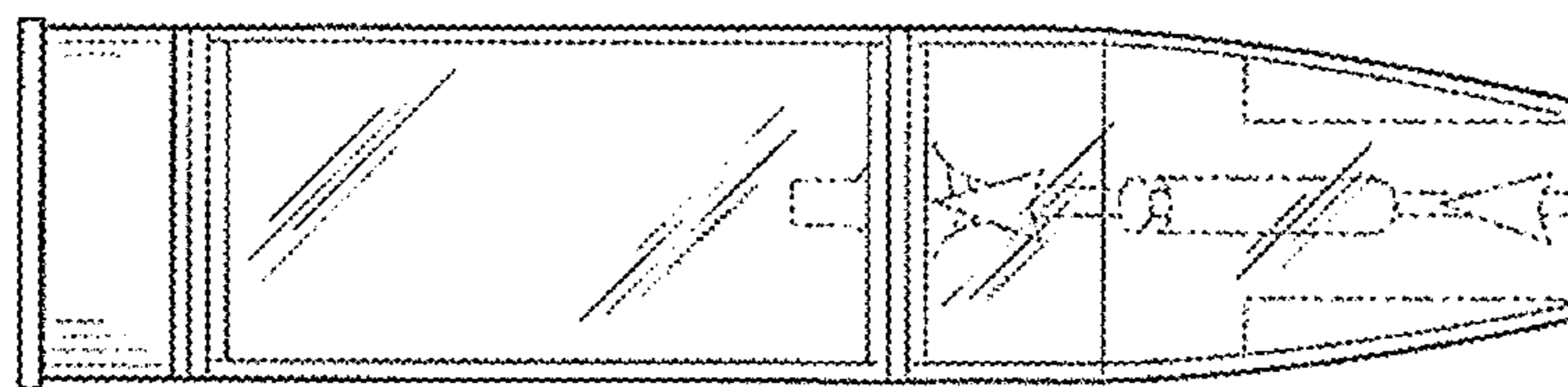




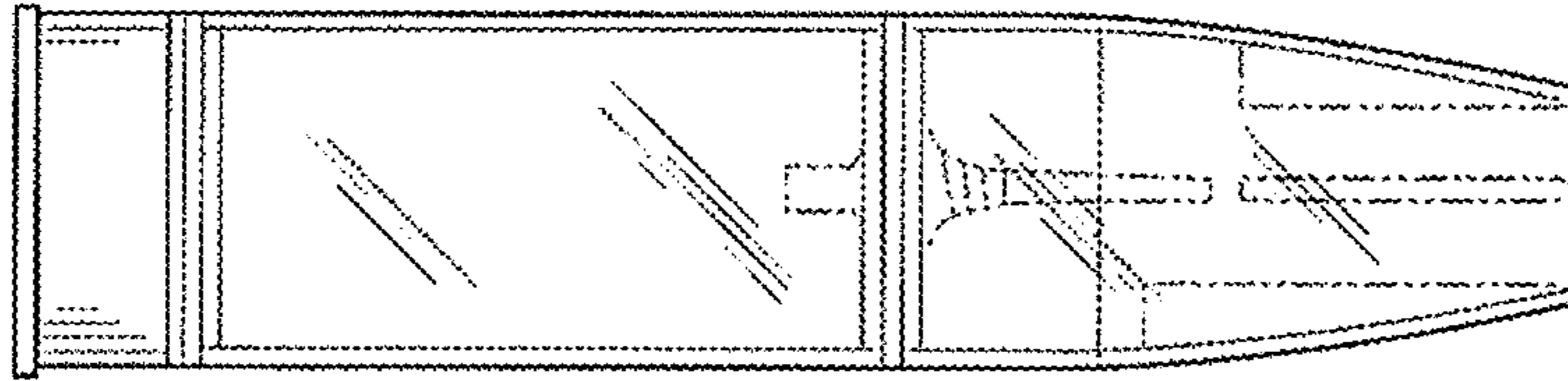
*Fig. 1*



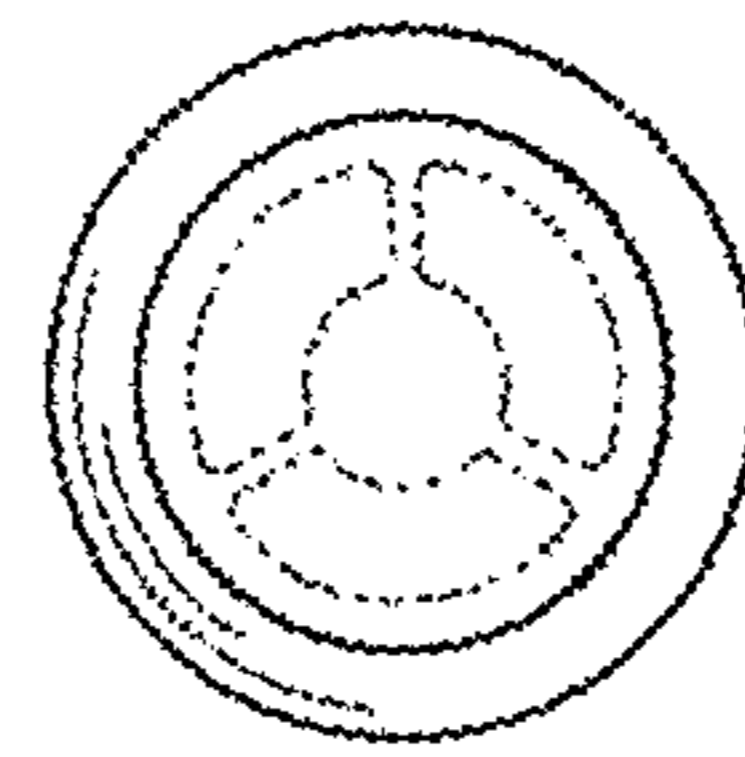
*Fig. 2*



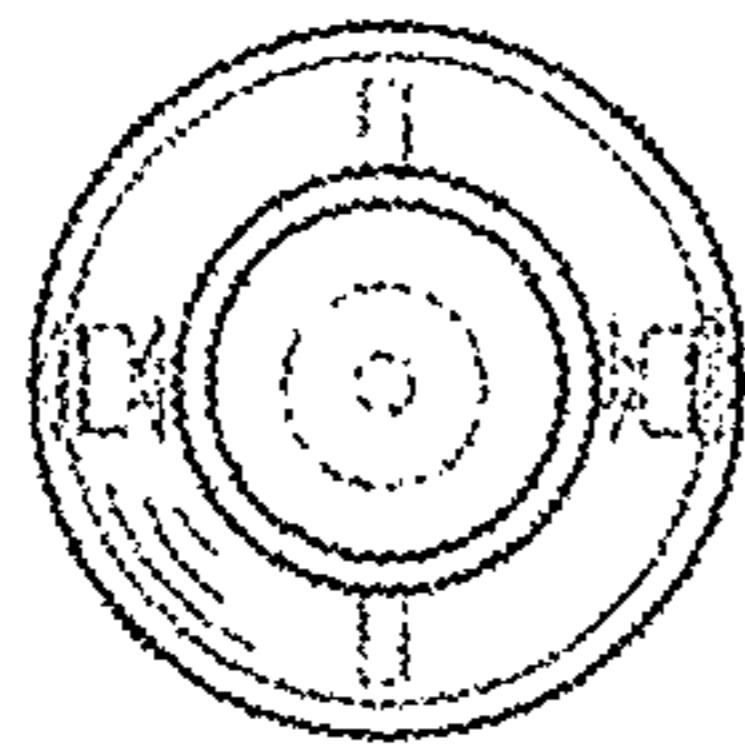
*Fig. 3*



*Fig. 4*



*Fig. 5*



*Fig. 6*