



US00D917690S

(12) **United States Design Patent** (10) **Patent No.:** **US D917,690 S**  
**Lau et al.** (45) **Date of Patent:** **\*\* Apr. 27, 2021**

(54) **CONNECTOR FOR A BREATHING CIRCUIT**

4,661,110 A 4/1987 Fortier et al.  
D300,271 S 3/1989 Rudolph et al.  
D300,272 S 3/1989 Rudolph et al.

(71) Applicant: **Fisher & Paykel Healthcare Limited**,  
Auckland (NZ)

(Continued)

(72) Inventors: **Andrew Chi Lup Lau**, Auckland (NZ);  
**Richard Daniel Panara**, Auckland  
(NZ)

FOREIGN PATENT DOCUMENTS

CN 101380497 A 3/2009  
CN 103180650 A 6/2013

(Continued)

(73) Assignee: **Fisher & Paykel Healthcare Limited**,  
Auckland (NZ)

OTHER PUBLICATIONS

(\*\*) Term: **15 Years**

PCT Application No. PCT/NZ2012/000142 International Search  
Report and Written Opinion dated Jan. 22, 2013, in 14 pages.

(21) Appl. No.: **29/695,063**

(Continued)

(22) Filed: **Jun. 14, 2019**

*Primary Examiner* — Mark Booker

(74) *Attorney, Agent, or Firm* — Knobbe, Martens, Olson  
& Bear, LLP

**Related U.S. Application Data**

(62) Division of application No. 29/630,546, filed on Dec.  
21, 2017, now Pat. No. Des. 857,880, which is a  
division of application No. 29/567,700, filed on Jun.  
10, 2016, now Pat. No. Des. 809,656.

(57) **CLAIM**

The ornamental design for a connector for a breathing  
circuit, as shown and described.

(51) **LOC (13) Cl.** ..... **24-02**

(52) **U.S. Cl.**  
USPC ..... **D24/110**

(58) **Field of Classification Search**  
USPC ..... D24/110, 110.1, 213, 129, 110.4–110.6,  
D24/164, 186; D21/411; 128/200.24,  
128/909; 482/13; 600/438, 532  
CPC ..... A61B 5/087; A61B 5/097; A61B 5/0875;  
G01N 33/4972; A63B 23/18; G01D  
3/0365

**DESCRIPTION**

FIG. 1 is a perspective view of a connector for a breathing  
circuit.  
FIG. 2 is another perspective view thereof.  
FIG. 3 is a left side view thereof.  
FIG. 4 is a right side view thereof.  
FIG. 5 is a front view thereof.  
FIG. 6 is a rear view thereof.  
FIG. 7 is a top view thereof.  
FIG. 8 is a bottom view thereof.  
FIG. 9 is a cross-sectional view thereof taken along line 9-9  
of FIG. 5; and,  
FIG. 10 is a cross-sectional view thereof taken along line  
10-10 of FIG. 5.  
The broken lines in the drawings illustrate portions of the  
connector for a breathing circuit, which forms no part of the  
claimed design.

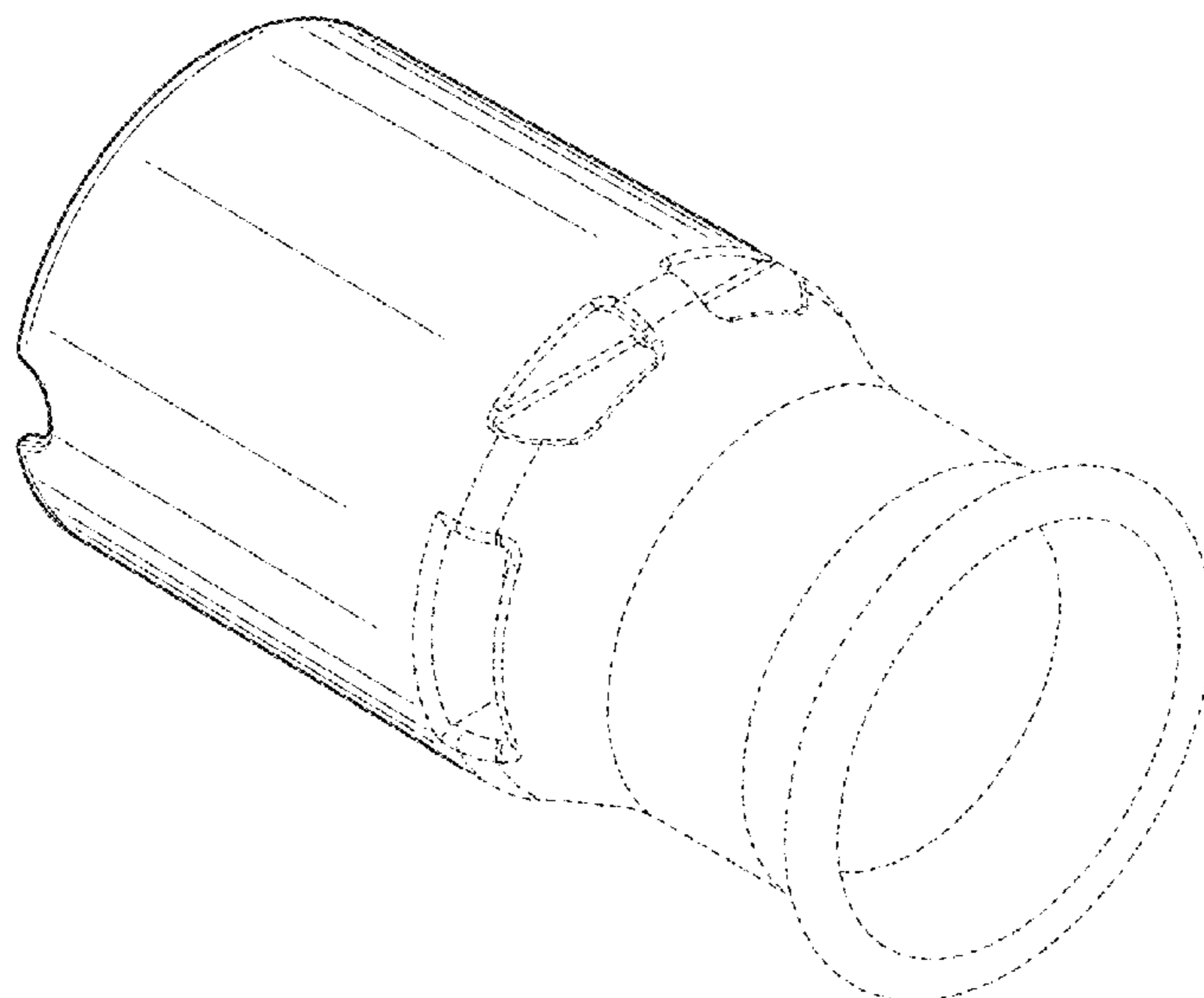
See application file for complete search history.

(56) **References Cited**

U.S. PATENT DOCUMENTS

4,589,684 A 5/1986 Nowacki et al.  
4,601,495 A 7/1986 Webb

**1 Claim, 10 Drawing Sheets**



(56)

References Cited

U.S. PATENT DOCUMENTS

D363,541 S 10/1995 Cottone, Sr. et al.  
 5,529,284 A 6/1996 Berger et al.  
 D424,687 S 5/2000 Hoenig  
 D431,634 S 10/2000 Mantz  
 6,484,724 B1 11/2002 Sloan  
 D468,015 S 12/2002 Horppu  
 D472,316 S 3/2003 Douglas et al.  
 D472,630 S 4/2003 Douglas et al.  
 6,893,055 B2 5/2005 Thomas et al.  
 6,915,705 B1 7/2005 Truitt  
 7,458,615 B2 12/2008 White et al.  
 7,785,300 B2 8/2010 Ishii et al.  
 D631,542 S \* 1/2011 DeGross ..... D24/129  
 D645,547 S 9/2011 Lombardi et al.  
 D654,573 S 2/2012 Lombardi et al.  
 D661,785 S 6/2012 Johnson  
 D672,037 S 12/2012 Miller  
 8,439,039 B2 5/2013 Gunaratnam et al.  
 D692,555 S 10/2013 Maksym et al.  
 D757,933 S 5/2016 Lev  
 D785,789 S 5/2017 Turturro  
 D790,054 S 6/2017 Prentice  
 9,808,612 B2 11/2017 Gulliver et al.  
 D805,629 S \* 12/2017 Fiorenza ..... D24/110  
 D809,656 S \* 2/2018 Lau ..... D24/129  
 9,884,176 B2 \* 2/2018 Fangrow ..... A61M 39/22  
 D832,431 S \* 10/2018 Turturro ..... D24/129  
 10,265,492 B2 4/2019 Amarasinghe et al.  
 10,335,583 B2 7/2019 Gulliver et al.  
 D857,880 S \* 8/2019 Lau ..... D24/110  
 D861,162 S \* 9/2019 Gulliver ..... D24/129  
 D867,586 S \* 11/2019 Kemps ..... D24/129  
 D879,956 S \* 3/2020 Klenner ..... D24/129  
 D887,577 S \* 6/2020 Shor ..... D24/227  
 D896,758 S \* 9/2020 Watkins ..... D13/133  
 D896,929 S \* 9/2020 Vranish ..... D23/262  
 2004/0090066 A1 5/2004 Hoffmann  
 2004/0103686 A1 6/2004 Fehr et al.  
 2006/0107960 A1 5/2006 Smart  
 2008/0093846 A1 4/2008 Sparks et al.  
 2008/0264413 A1 10/2008 Doherty et al.  
 2009/0223523 A1 9/2009 Chang  
 2013/0167841 A1 7/2013 Sheffer et al.  
 2015/0021909 A1 1/2015 Gulliver et al.  
 2015/0167877 A1 6/2015 Kendrick  
 2019/0022344 A1 1/2019 Lau et al.  
 2019/0167935 A1 6/2019 Siew et al.

FOREIGN PATENT DOCUMENTS

CN 103764213 A 4/2014  
 CN 103857432 A 6/2014  
 CN 104853796 A 8/2015  
 CN 104870042 A 8/2015  
 DE 37 09 122 A1 9/1988  
 DE 10 2007 063 556 A1 7/2009  
 EP 1181945 A1 2/2002  
 EP 0809768 B1 7/2002  
 EP 1 314 446 8/2002  
 EP 1408313 A2 4/2004  
 EP 1520599 A1 10/2004  
 EP 1479405 A1 11/2004  
 EP 1933074 6/2018  
 GB 2328260 2/1999  
 WO WO 2003/082406 10/2003  
 WO WO 2004/108218 12/2004  
 WO WO 2005/079670 9/2005  
 WO WO 2011/079226 A1 6/2011

WO WO 2013/022356 2/2013  
 WO WO 2014/097145 A1 6/2014  
 WO WO 2014/129912 8/2014

OTHER PUBLICATIONS

PCT Application No. PCT/NZ2012/000142 International Preliminary Report on Patentability dated Feb. 14, 2014 in 6 pages.  
 Office Action in corresponding Japanese Patent Application No. 2014-524961, dated Nov. 8, 2017, in 2 pages.  
 Office Action in corresponding Taiwanese Patent Application No. 1061015308, dated Apr. 12, 2007, in 4 pages.  
 Search Report in corresponding Taiwanese Patent Application No. 1061015308, dated Apr. 12, 2007, in 1 page.  
 Combined Search and Examination Report in corresponding United Kingdom Patent Application No. GB 10800268.3, dated Jan. 25, 2018, in 6 pages.  
 Examination Report in corresponding United Kingdom Patent Application No. GB 10800268.3, dated Jun. 8, 2018, in 3 pages.  
 Extended Search Report in corresponding European Patent Application No. 17195173.4, dated May 22, 2018, in 13 pages.  
 Office Action in corresponding Canadian Patent Application No. 2844802, dated Jun. 6, 2018, in 4 pages.  
 Office Action in corresponding United Kingdom Patent Application No. 1807231.4, dated Jun. 19, 2018, in 9 pages.  
 Examination Report in corresponding United Kingdom Patent Application No. 1800268.3, dated Jul. 3, 2018, in 2 pages.  
 Examination Report in corresponding United Kingdom Patent Application No. 1807231.4, dated Aug. 31, 2018, in 2 pages.  
 Examination Report in corresponding Australian Patent Application No. 2017202180, dated Aug. 31, 2018, in 3 pages.  
 Examination Report in corresponding Taiwanese Patent Application No. 106105308, dated Aug. 10, 2018, in 6 pages.  
 Examination Report in corresponding United Kingdom Patent Application No. 1810896.9, dated Nov. 20, 2018, in 5 pages.  
 Supplementary European Search Report, European Patent Office, Application No. EP 16 84 0949, dated Jan. 17, 2019, in 3 pages.  
 Examination Report in corresponding Chinese Patent Application No. 201710181760.0, dated May 29, 2019, in 5 pages.  
 Examination Report in corresponding Chinese Patent Application No. 201710181804.X, dated May 29, 2019, in 8 pages.  
 Office Action in corresponding Canadian Patent Application No. 2,844,802, dated Jun. 12, 2019, in 4 pages.  
 Office Action in corresponding Japanese Patent Application No. 2018-041463, dated Jan. 31, 2019, in 2 pages.  
 Office Action in corresponding Australian Patent Application No. 2017202180, dated Jul. 19, 2019, in 3 pages.  
 Decision for Final Rejection in corresponding Japanese Patent Application No. 2018-041463, dated Aug. 1, 2019, in 2 pages.  
 International Search Report, PCT/IB2016/055258, dated Nov. 14, 2016, in 12 pages.  
 Fisher & Paykel Healthcare Limited, Junior Tube and Chamber Kit, 900PT531, 2012.  
 Photos of current commercial connector in 3 pages.  
 The State Intellectual Property Office of People's Republic of China, First Office Action; Application No. 201680060677.1, dated Mar. 19, 2020; 26 pages.  
 Examination Report for JP2018-512159, dated Aug. 20, 2020, 15 pages total with machine translation.  
 Examination Report for Australian Patent Application 2016314616, dated Apr. 30, 2020; 4 pages.  
 Examination Report for GB1803152.6, dated May 26, 2020, 2 pages.  
 Salter Labs, "Air-Q Intubating Laryngeal Airways (ILA) The everyday airway that's ready for the unexpected."; Dec. 2018; 8 pages.  
 Notification of First Office Action, CN Application No. 201680060677.1, dated Mar. 19, 2020, 7 pages.

\* cited by examiner

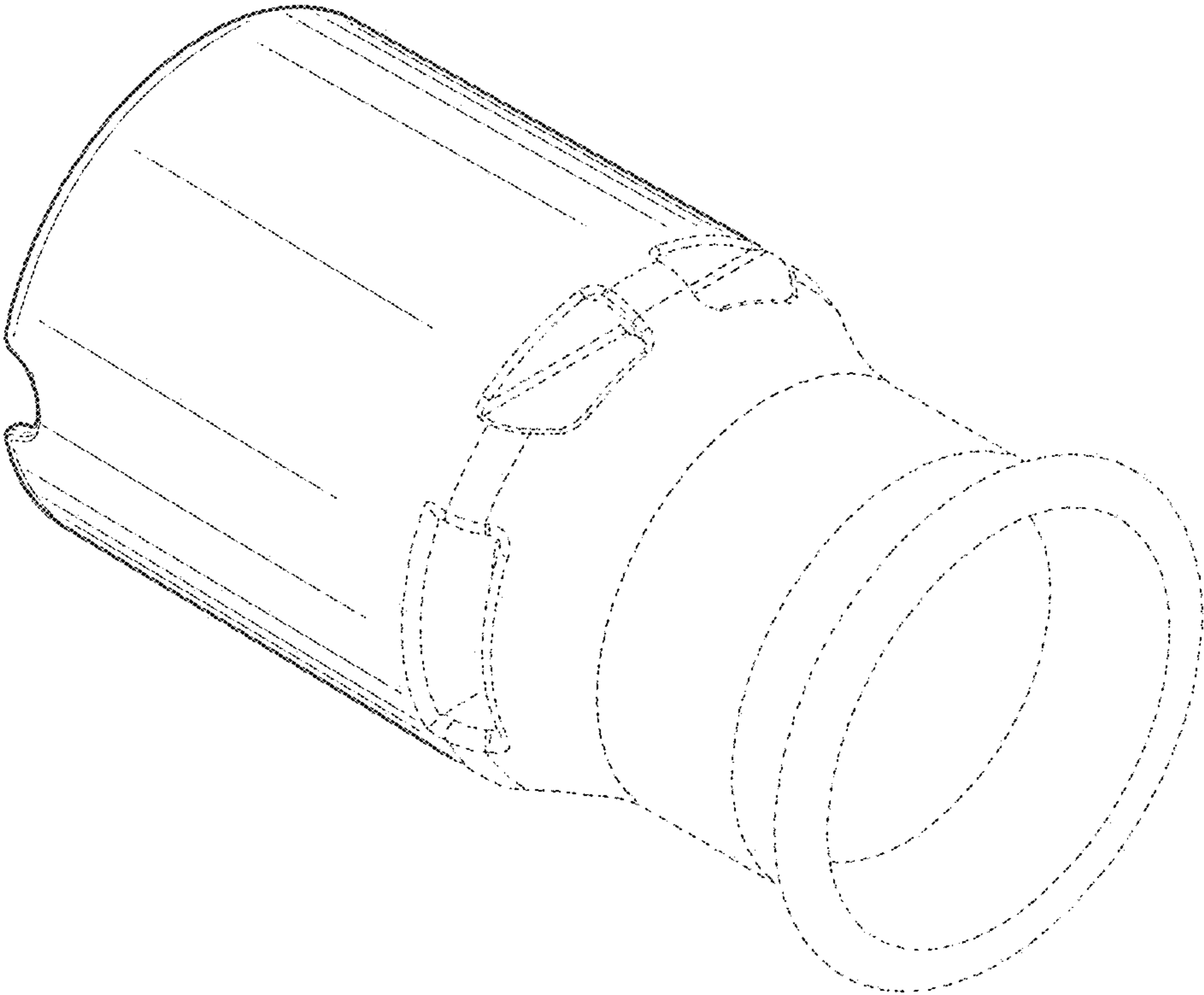


Figure 1

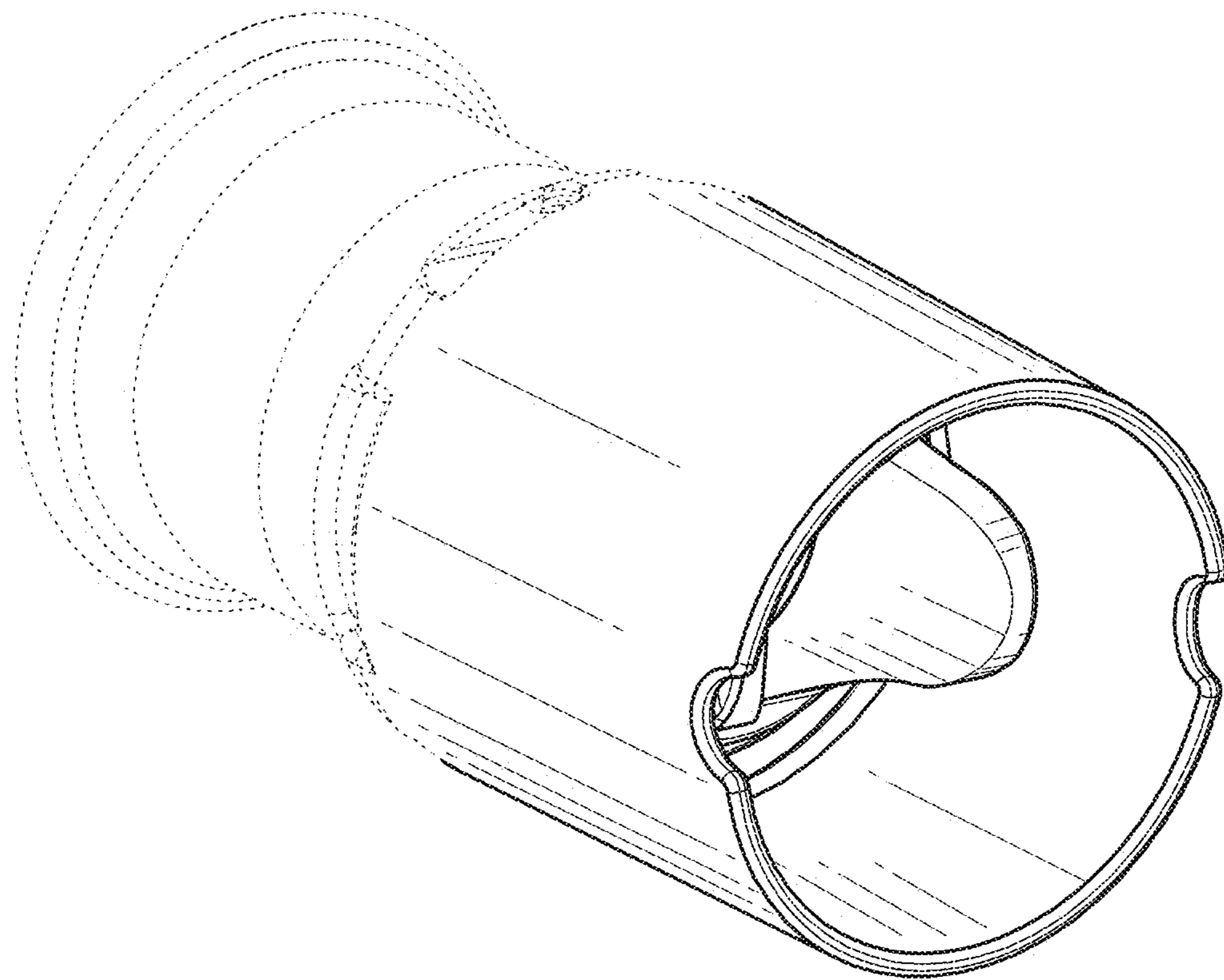


Figure 2

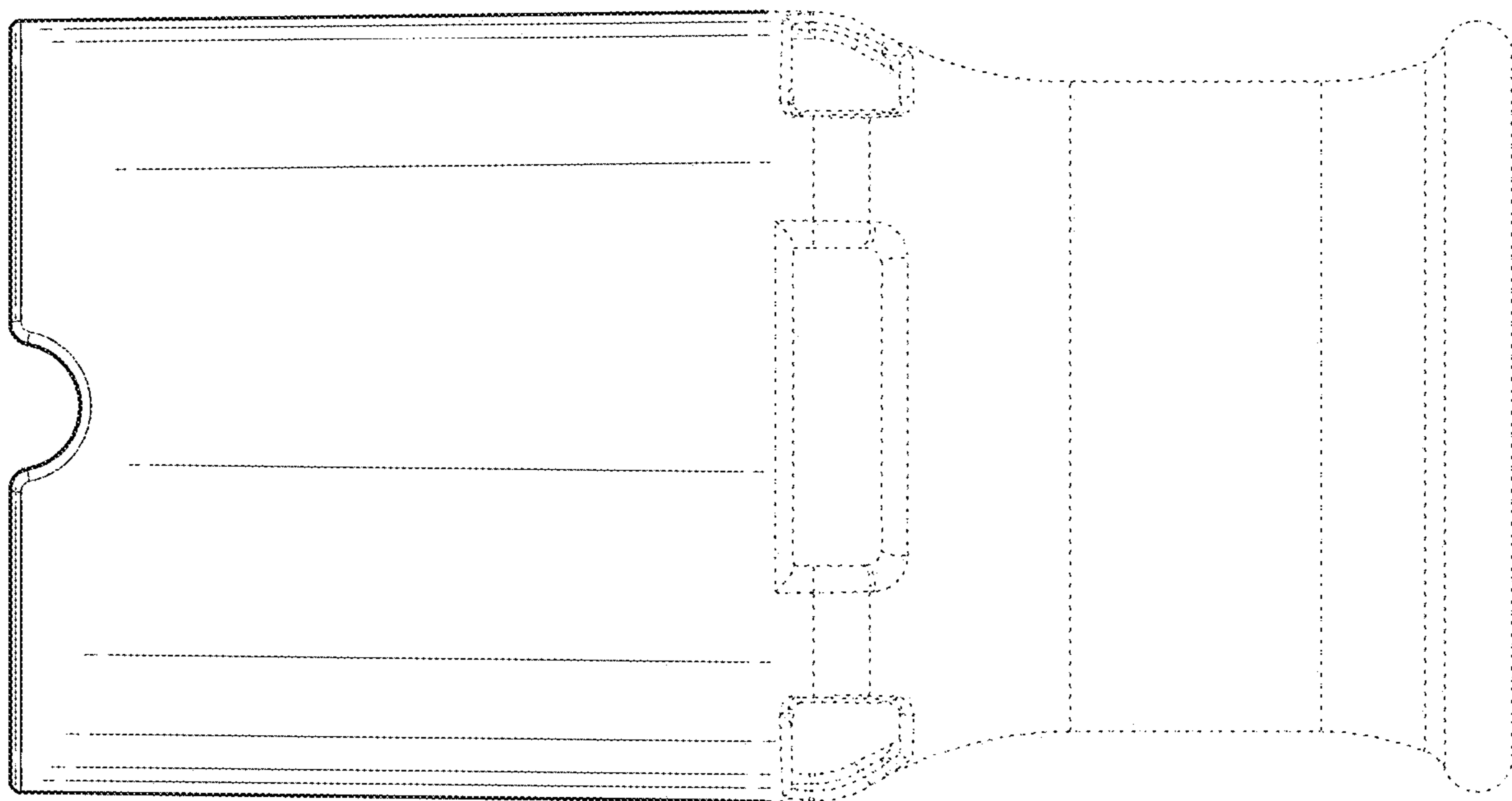


Figure 3

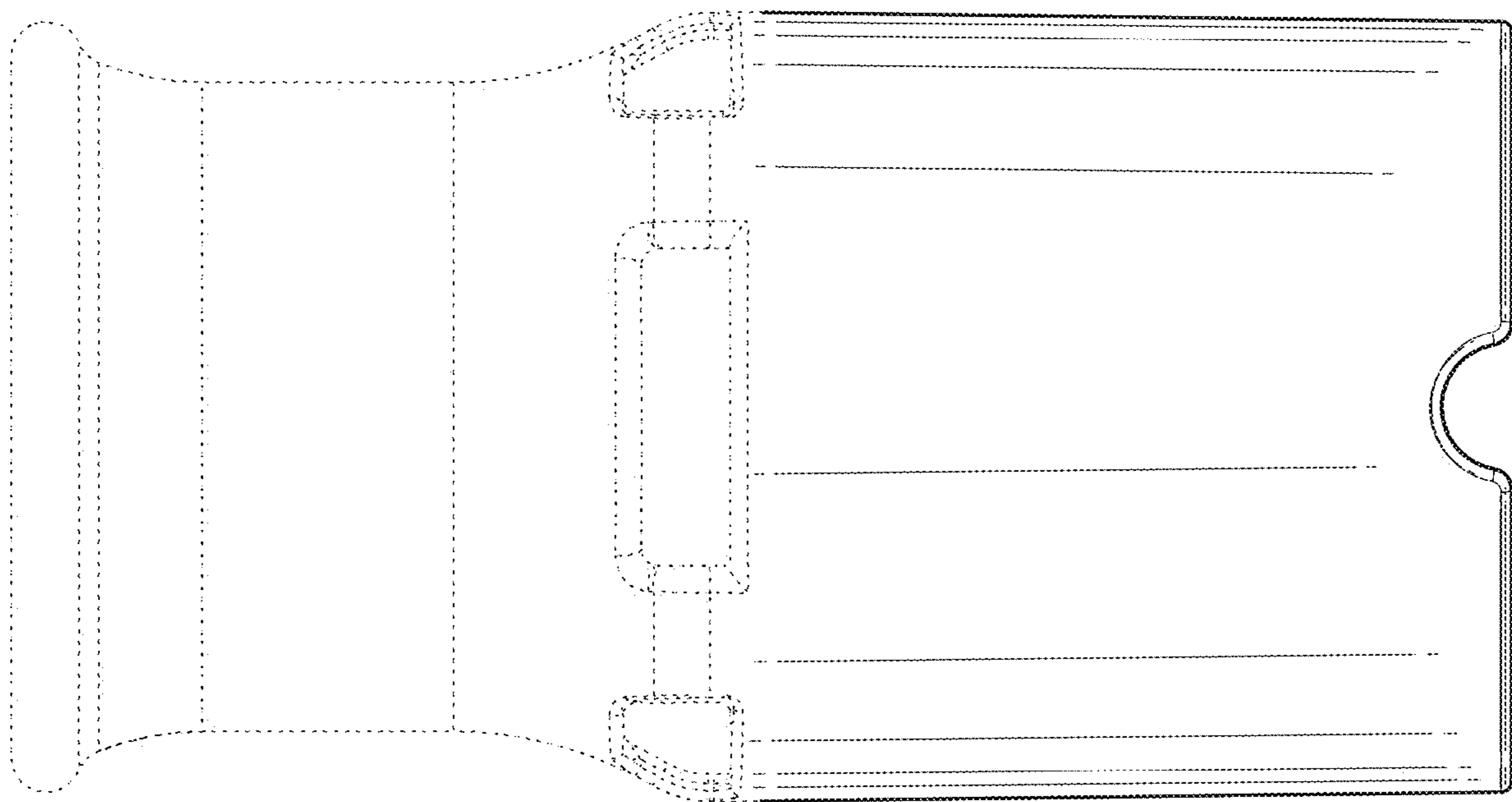


Figure 4

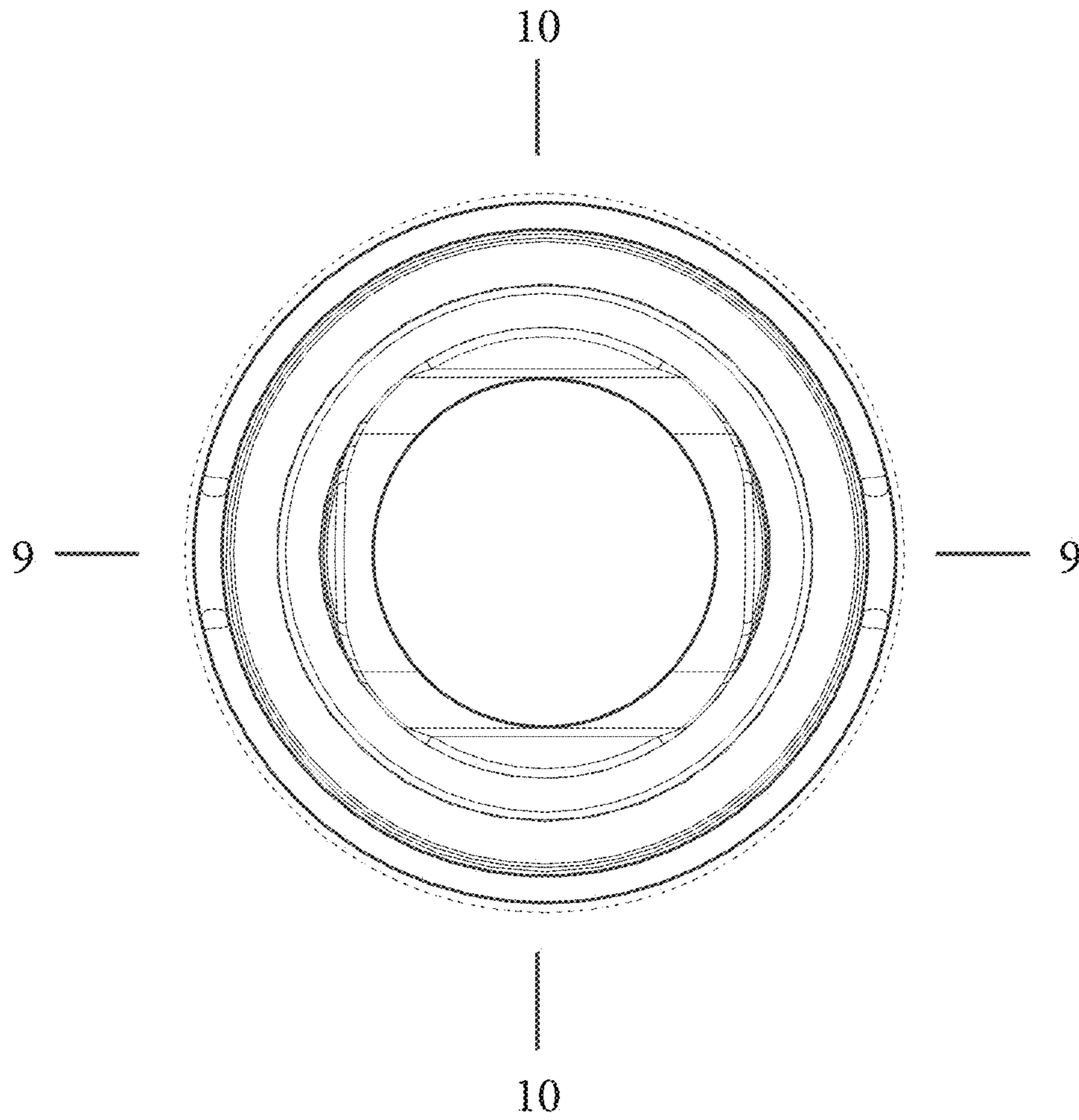


Figure 5

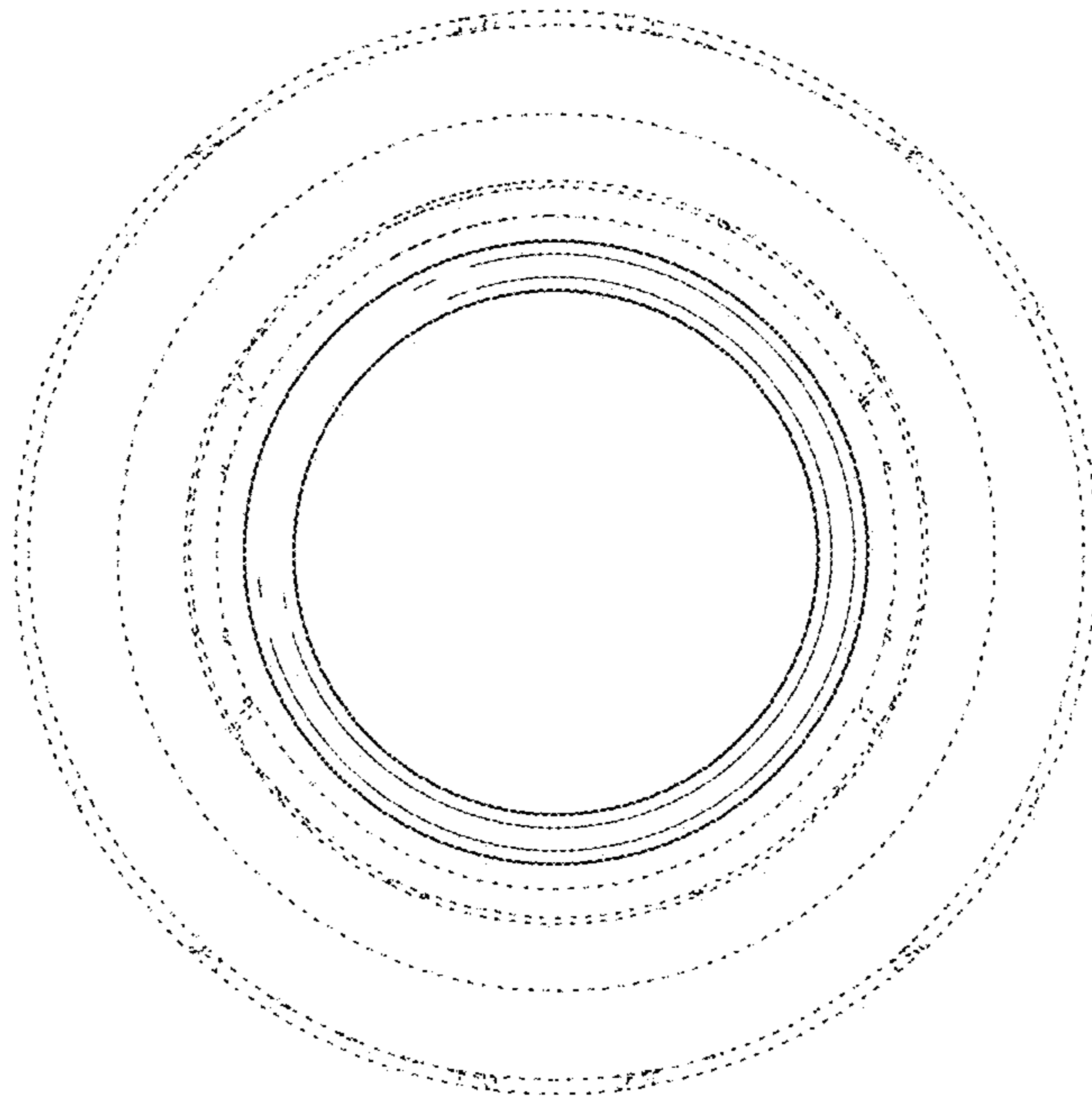


Figure 6



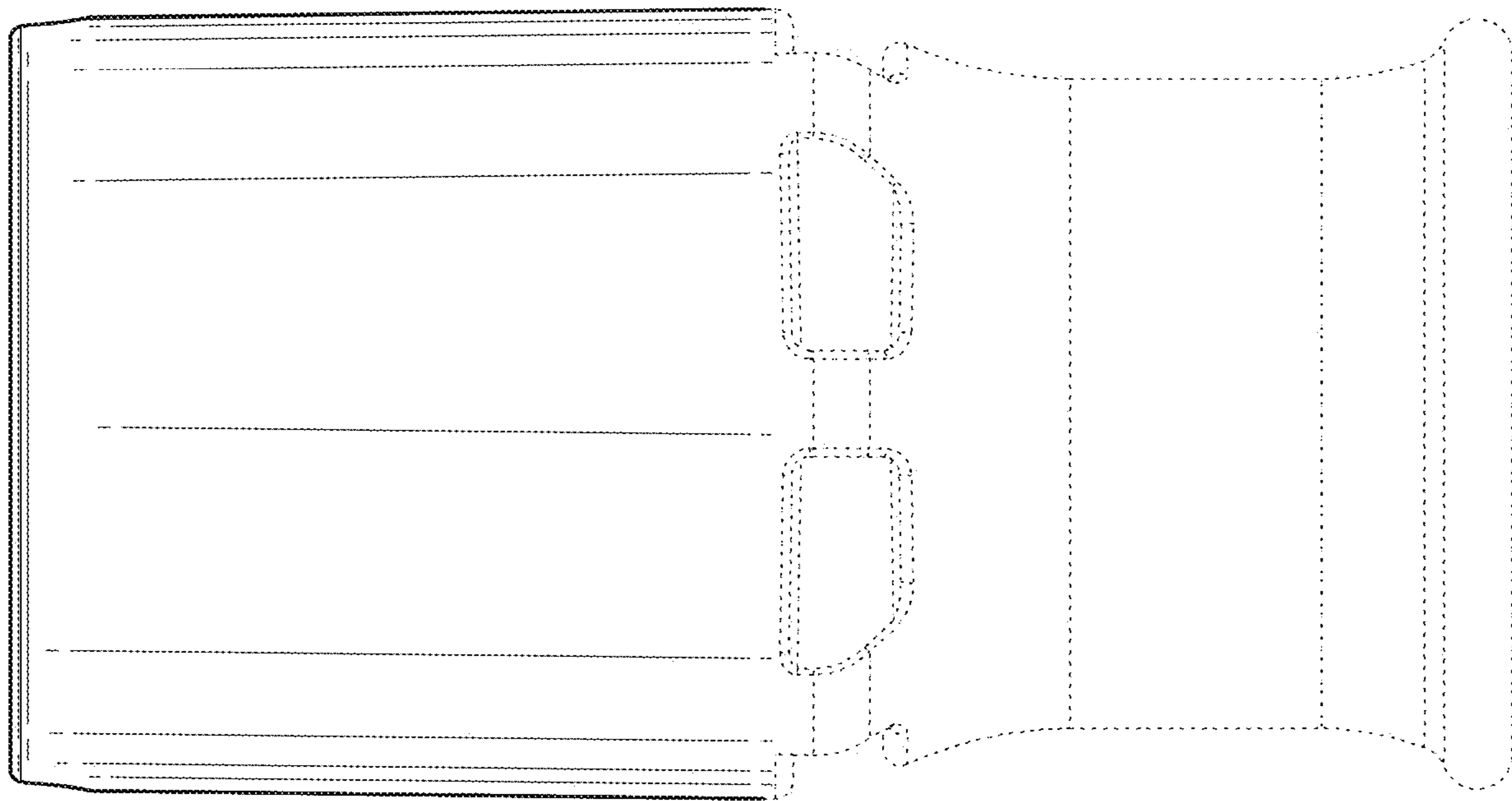


Figure 7

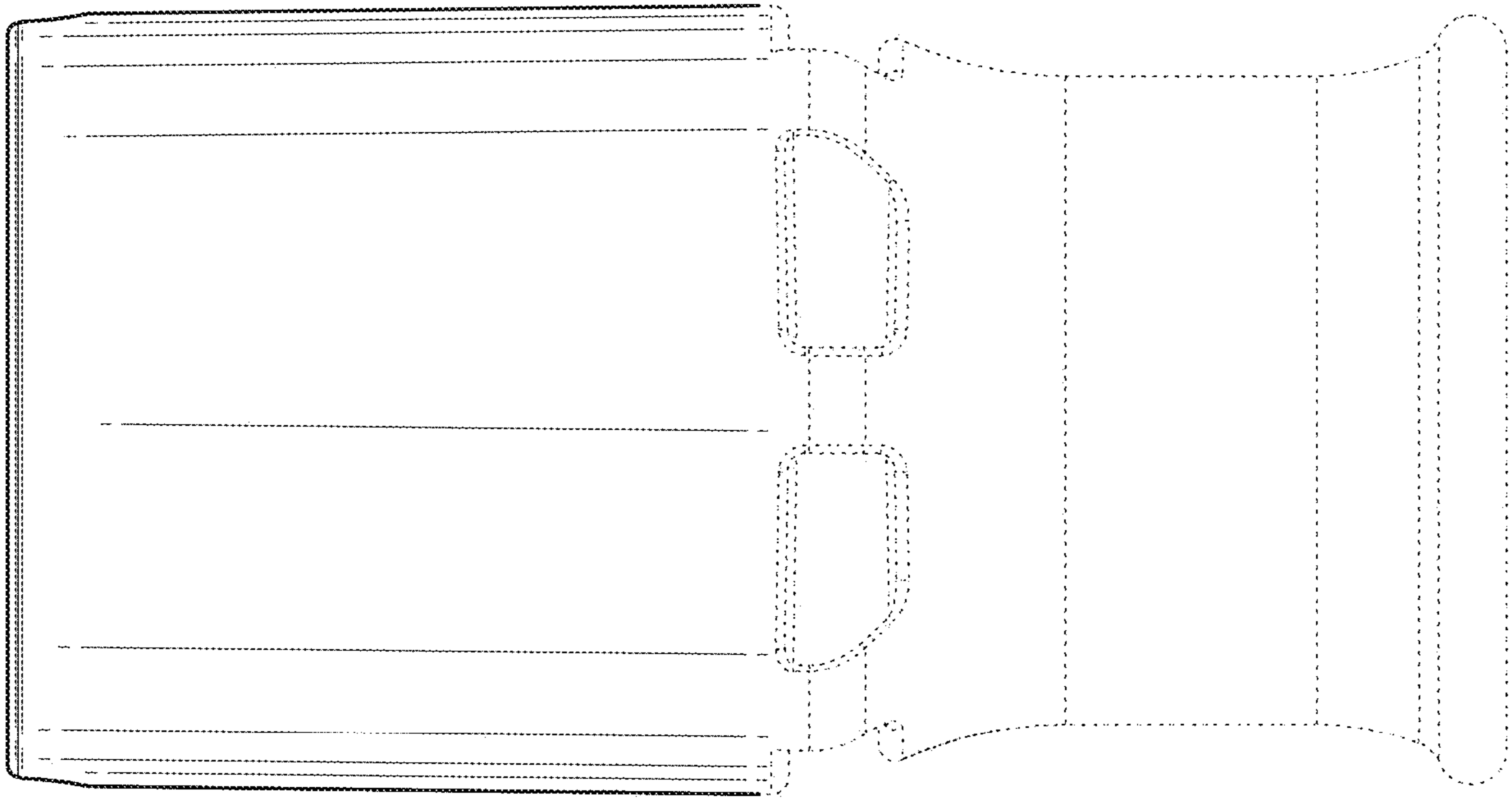


Figure 8

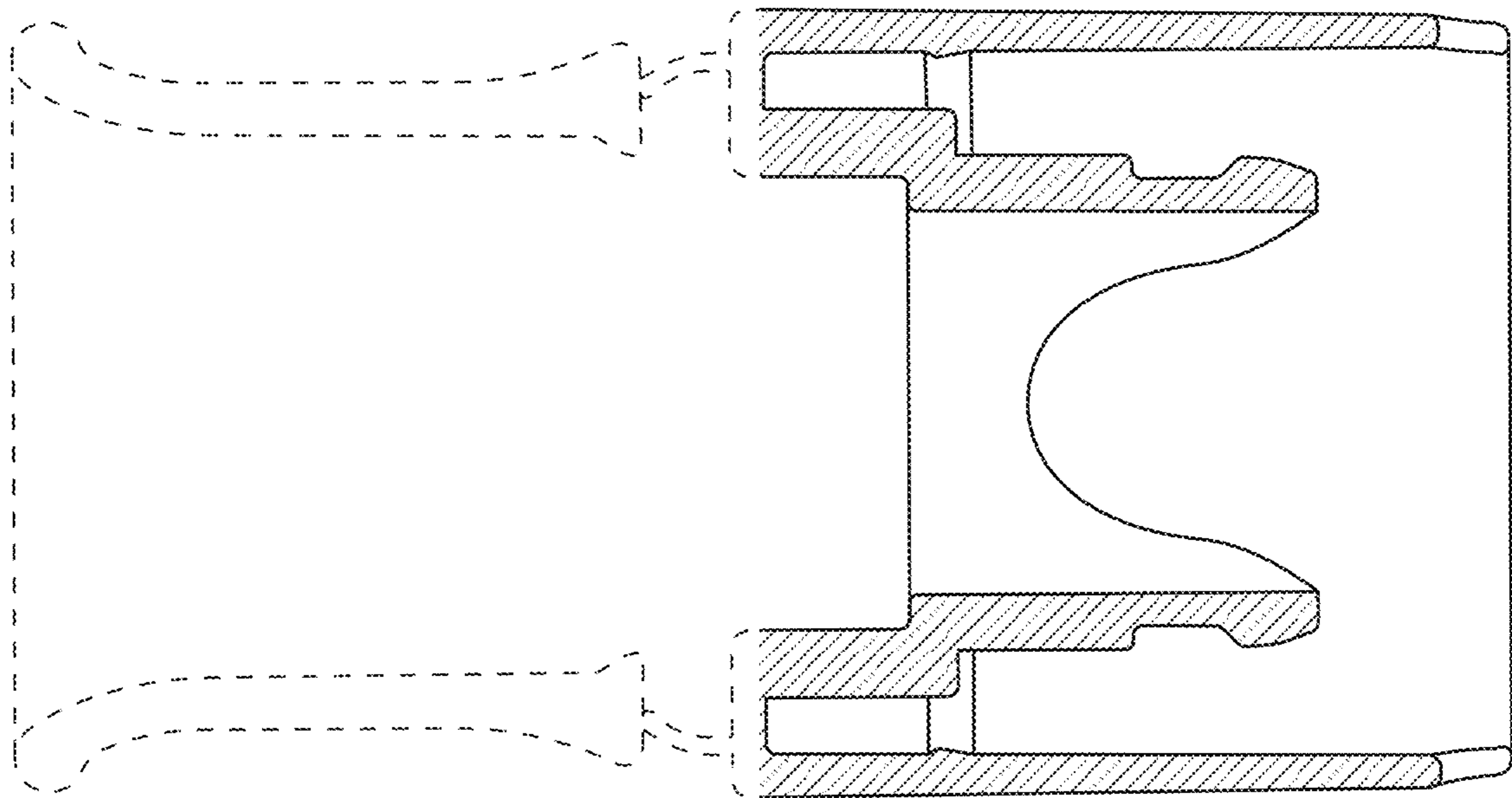


Figure 9

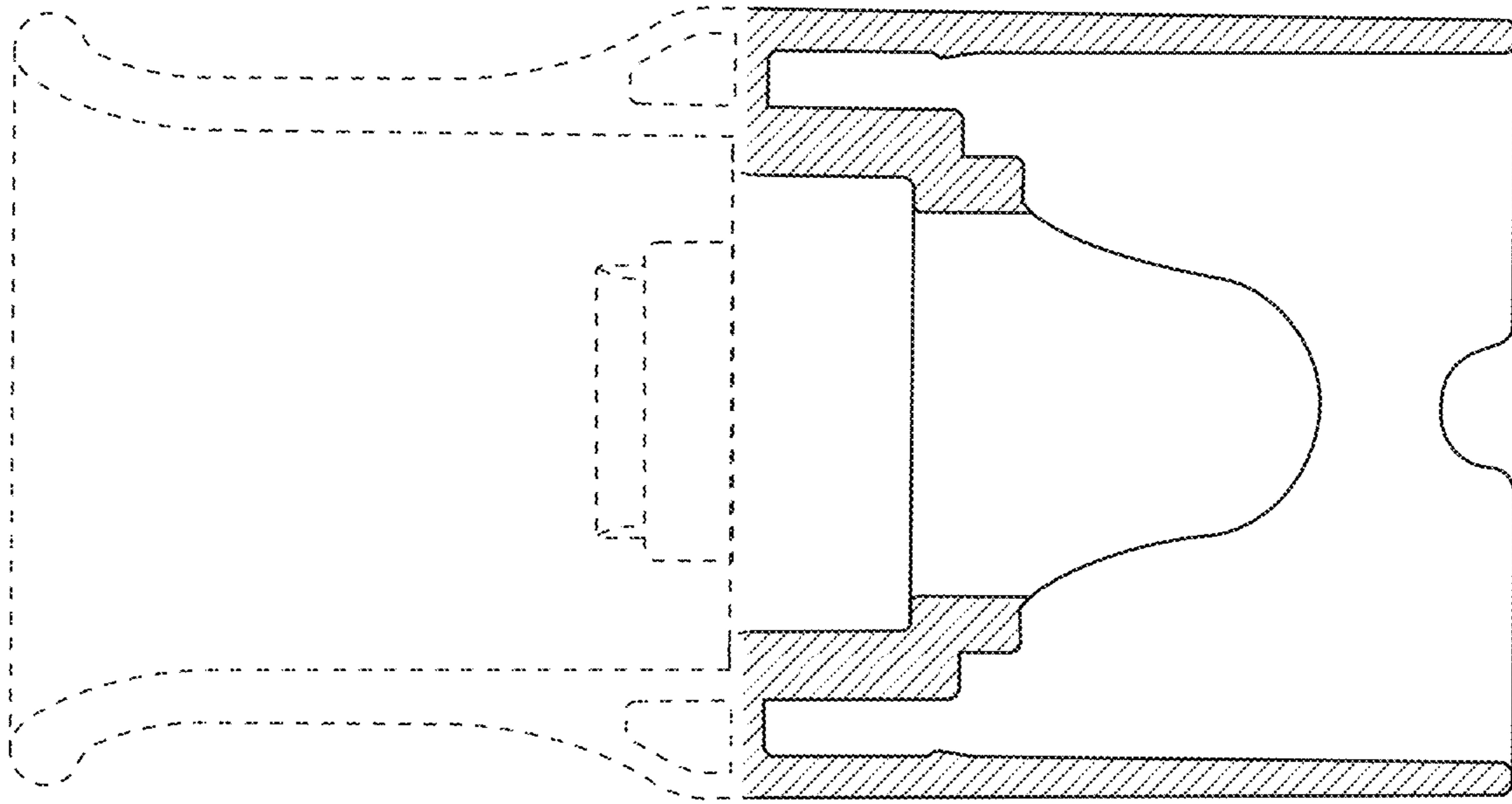


Figure 10