



US00D917689S

(12) **United States Design Patent** (10) **Patent No.:** **US D917,689 S**
Barsoom et al. (45) **Date of Patent:** **** Apr. 27, 2021**

(54) **ORAL TABLET**

(71) Applicant: **NUKA ENTERPRISES**, Henderson, CO (US)

(72) Inventors: **Peter Barsoom**, Denver, CO (US); **Joe Doucet**, Brooklyn, NY (US); **Erin Holzer**, Denver, CO (US)

(73) Assignee: **NUKA ENTERPRISES, LLC**, Henderson, CO (US)

(**) Term: **15 Years**

(21) Appl. No.: **29/722,535**

(22) Filed: **Jan. 30, 2020**

(51) **LOC (13) Cl.** **28-01**

(52) **U.S. Cl.**
USPC **D24/101**

(58) **Field of Classification Search**
USPC D03/201, 203.1, 203.2, 203.3;
D07/300.1, 372, 376, 377, 378, 414, 591,
(Continued)

(56) **References Cited**

U.S. PATENT DOCUMENTS

D301,765 S * 6/1989 Contractor D24/102
D443,688 S * 6/2001 Holland D24/101
(Continued)

OTHER PUBLICATIONS

Bakerella, "Eat Your Carrots", first available Mar. 31, 2014. (<https://www.bakerella.com/eat-your-carrots/>) (Year: 2014).*
(Continued)

Primary Examiner — April Rivas
Assistant Examiner — Justin A Johnson
(74) *Attorney, Agent, or Firm* — McDonnell Boehnen Hulbert & Berghoff LLP

(57) **CLAIM**

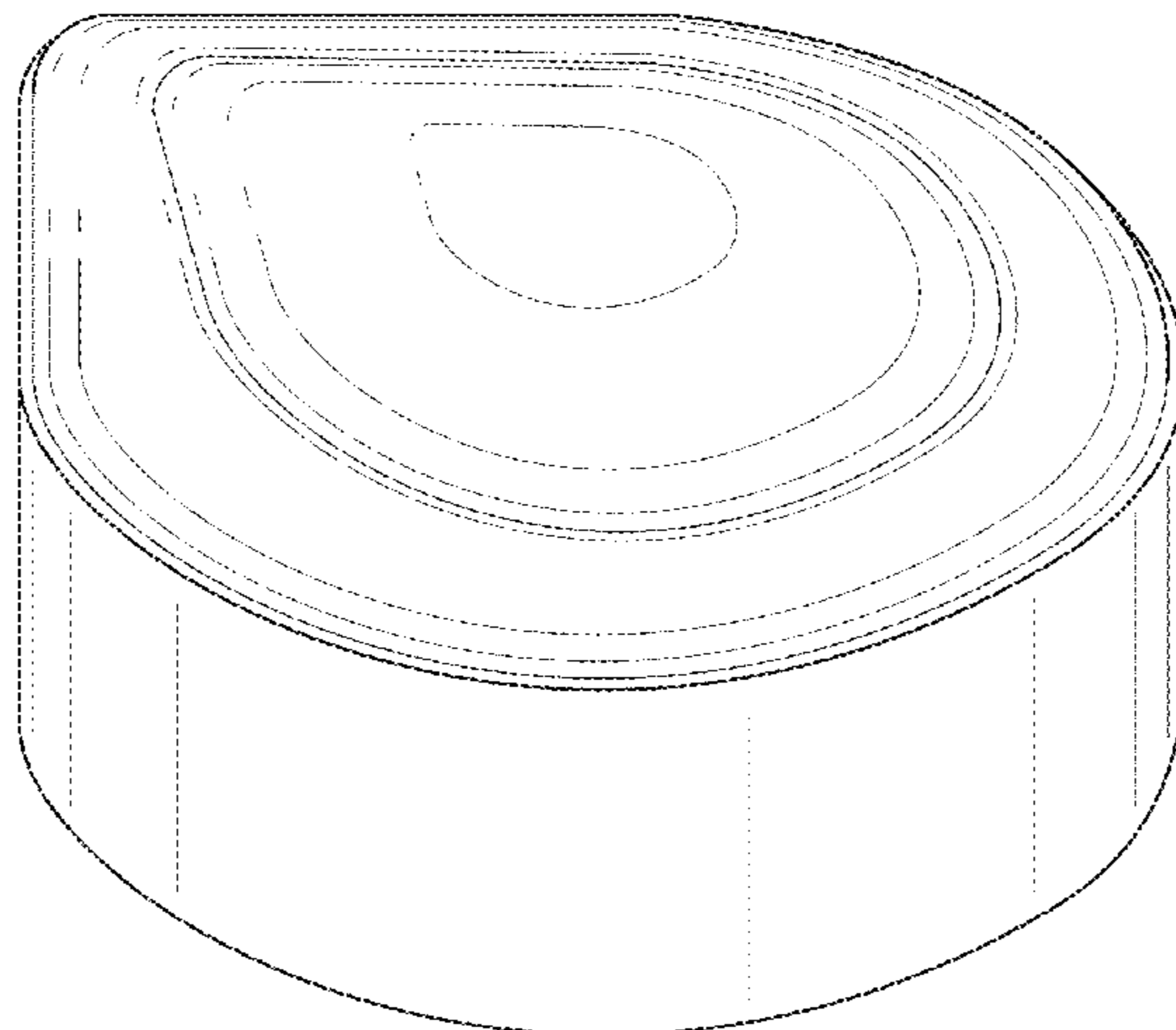
The ornamental design for an oral tablet, as shown and described.

DESCRIPTION

FIG. 1 is a first embodiment of an oral tablet in a perspective view;
FIG. 2 is a front view thereof;
FIG. 3 is a rear view thereof;
FIG. 4 is a left side view thereof;
FIG. 5 is a right side view thereof;
FIG. 6 is a top view thereof;
FIG. 7 is a bottom view thereof;
FIG. 8 is a second embodiment of an oral tablet in a perspective view;
FIG. 9 is a front view thereof;
FIG. 10 is a rear view thereof;
FIG. 11 is a left side view thereof;
FIG. 12 is a right side view thereof;
FIG. 13 is a top view thereof;
FIG. 14 is a bottom view thereof;
FIG. 15 is a third embodiment of an oral tablet in a perspective view;
FIG. 16 is a front view thereof;
FIG. 17 is a rear view thereof;
FIG. 18 is a left side view thereof;
FIG. 19 is a right side view thereof;
FIG. 20 is a top view thereof;
FIG. 21 is a bottom view thereof;
FIG. 22 is a fourth embodiment of an oral tablet in a perspective view;
FIG. 23 is a front view thereof;
FIG. 24 is a rear view thereof;
FIG. 25 is a left side view thereof;
FIG. 26 is a right side view thereof;
FIG. 27 is a top view thereof; and,
FIG. 28 is a bottom view thereof.

The broken lines illustrate portions of the environment and form no part of the claimed design.
The term "1906" shown on the tablet in FIGS. 8-13 forming part of the disclosure is a trademark of NUKA Enterprises,

(Continued)



LLC (limited liability company of Delaware), 9690 Dallas Street, Unit B, Henderson, Colorado, 80640.

5/0881

See application file for complete search history.

1 Claim, 28 Drawing Sheets

(56)

References Cited

U.S. PATENT DOCUMENTS

(58) Field of Classification Search

USPC D07/667, 679, 688; D24/100, 101, 102, D24/103, 104, 141, 163, 220, 221, 231, D24/232; D27/100, 101, 163, 164, 165, D27/166, 167, 168, 169, 194; D28/4, 7, D28/8.1, 8.2

CPC .. A24B 9/00; A24B 13/00; A24D 1/00; A24D 1/008; A24D 1/12; A24D 1/14; A24D 1/22; A61B 17/8802; A61J 1/00; A61J 1/03; A61K 2300/00; B01F 3/00; B01F 3/08; B01F 3/0853; B01F 3/0865; B01F 3/12; B01F 3/1221; B01F 3/18; B01F 3/184; B01F 3/20; B01F 3/2071; B01F 3/22; B01F 3/2276; B01F 7/00; B01F 7/00008; B01F 7/002; B01F 7/0075; B01F 7/02; B01F 7/021; B01F 9/00; B01F 9/0001; B01F 13/0001; B01F 13/00; B01F 2215/0029; B01F 2215/0032; B01F 2215/0034; B01F 2215/0036; B01F 2215/0037; B01F 2215/0045; B01F 2215/0049; B28C

D546,512	S	*	7/2007	Kertz	D1/127
D555,783	S	*	11/2007	Chen	D1/106
D580,547	S	*	11/2008	Lolis	D24/101
D671,636	S	*	11/2012	Nishino	D24/101
D685,081	S	*	6/2013	Ferguson	D24/101
D724,778	S	*	3/2015	Hulan	D27/100
D739,516	S	*	9/2015	Hulan	D24/101
D745,659	S	*	12/2015	Bruining	D24/101
D842,453	S	*	3/2019	Pradet	D24/101
D858,741	S	*	9/2019	Parikh	D24/101
2015/0096573	A1	*	4/2015	Gao	A24B 13/00 131/275

OTHER PUBLICATIONS

Instagram, "1906newhighs", first available Jul. 30, 2019. (<https://www.instagram.com/1906newhighs/>) (Year: 2019).*
Drugs.com, "Adcirca", first available Apr. 8, 2019. (<https://www.drugs.com/adcirca.html>) (Year: 2019).*
Amazon, "Cry Baby Tears", first available Apr. 4, 2020 (<https://www.amazon.com/Assorted-Concord-Hard-Candy-Approx/dp/B07P4D3Z2D?th=1>) (Year: 2020).*

* cited by examiner

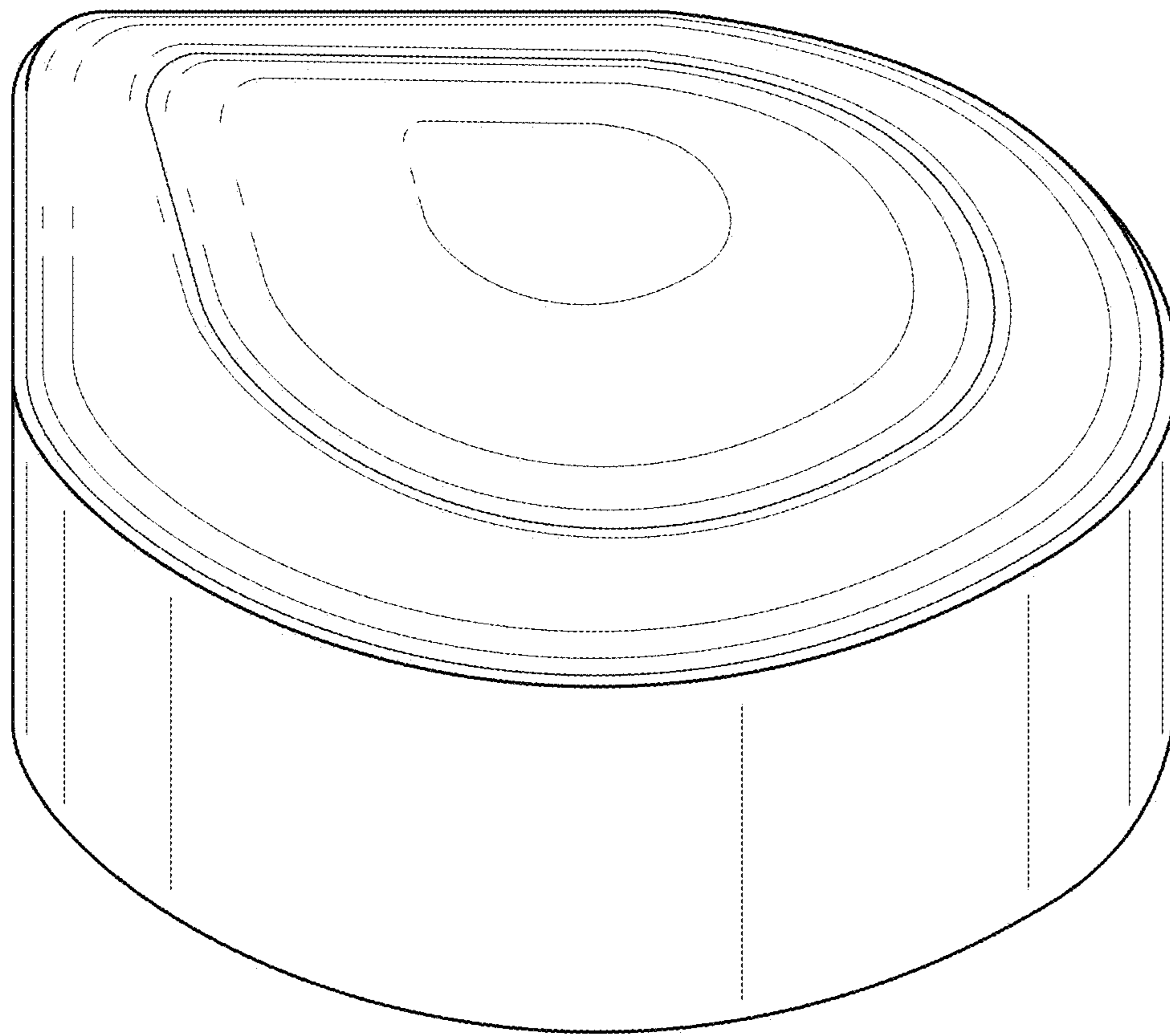


FIG. 1

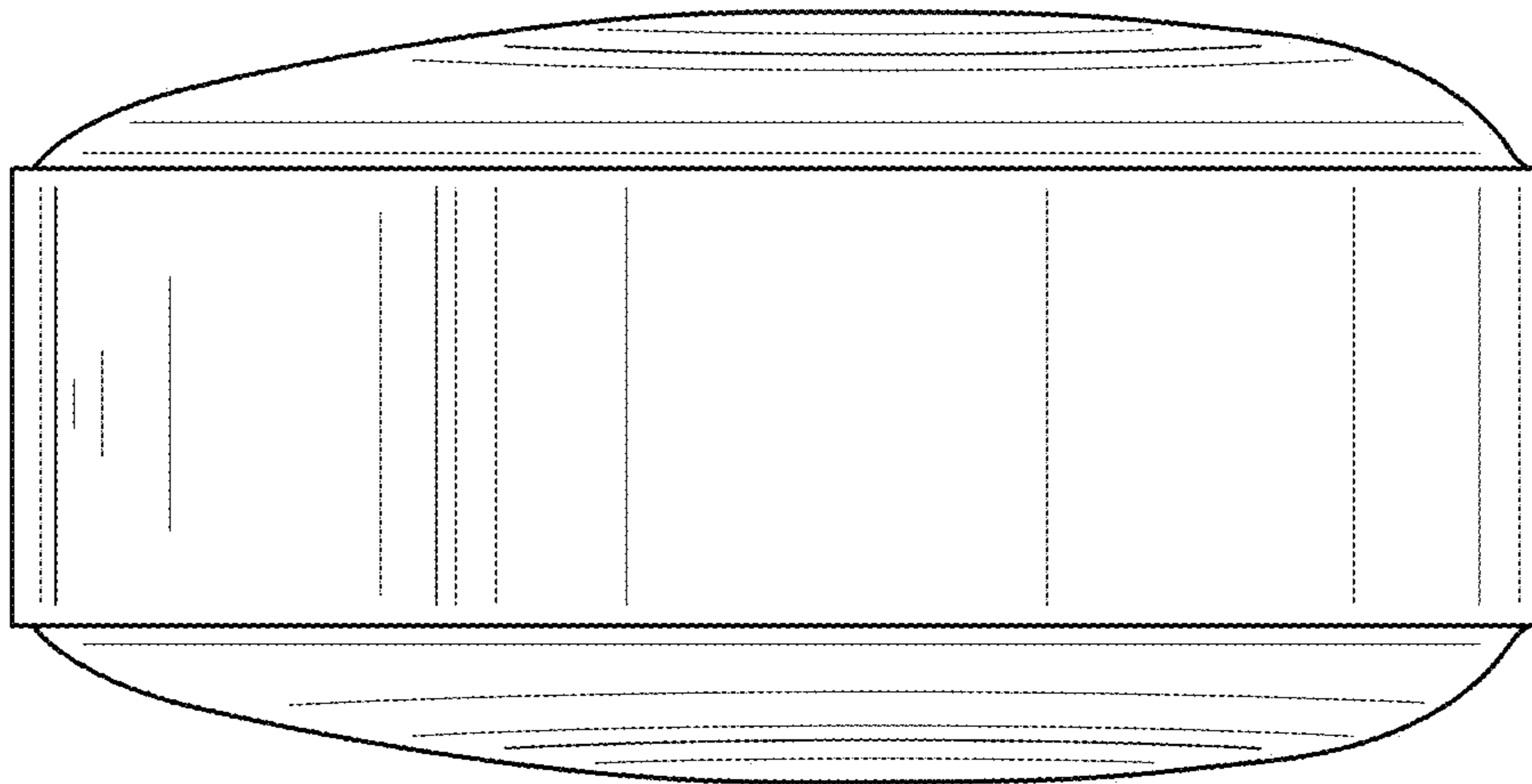


FIG. 2

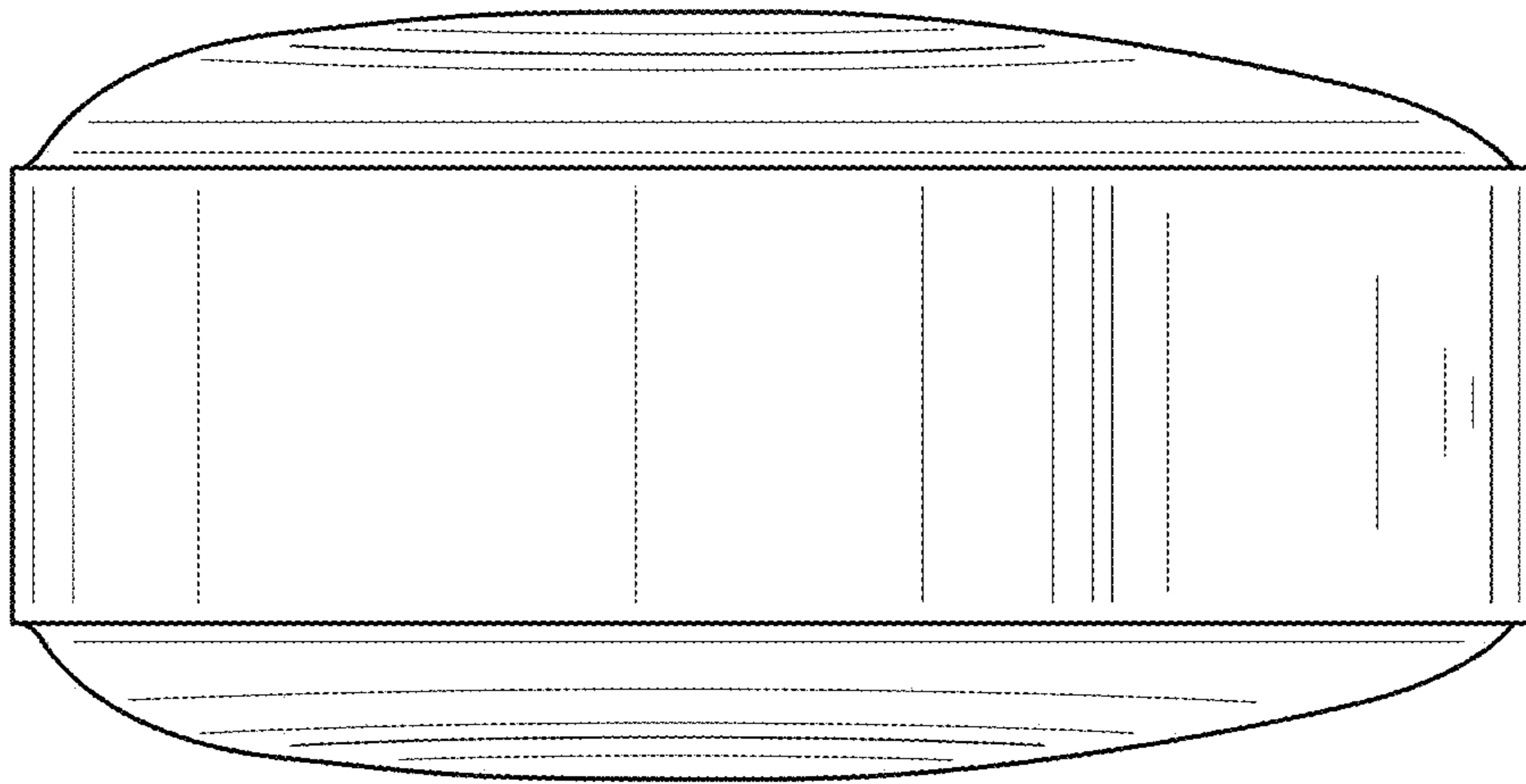


FIG. 3

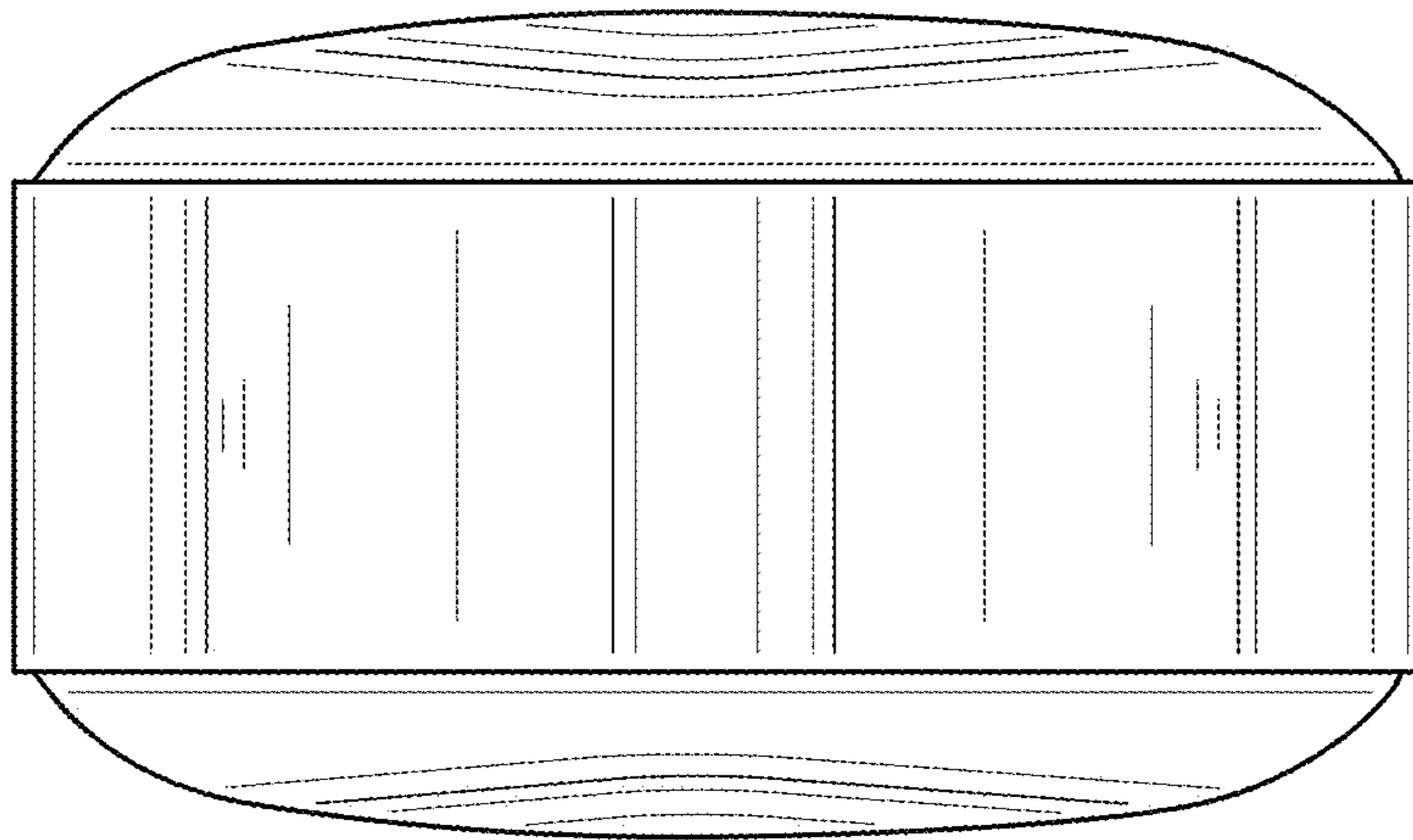


FIG. 4

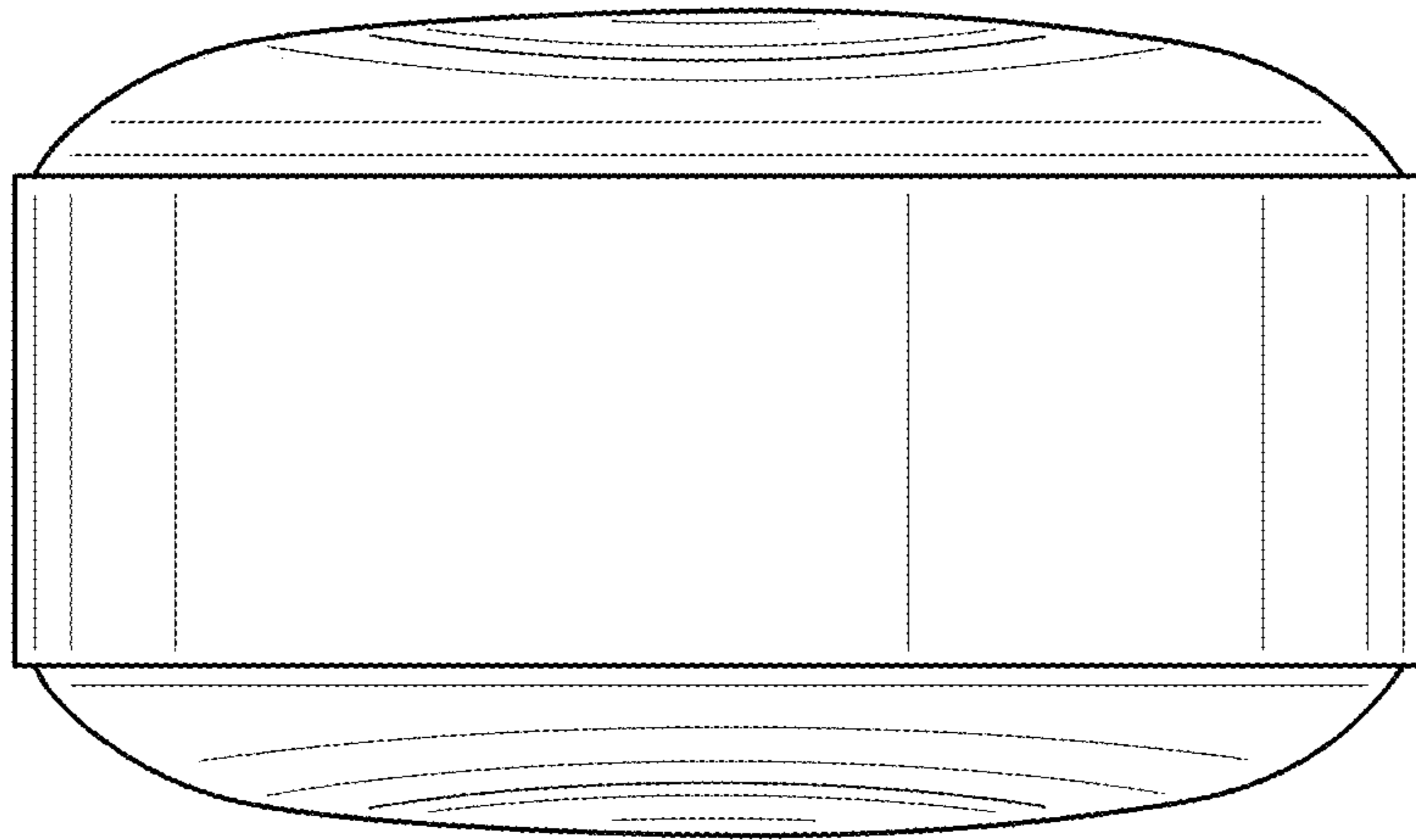


FIG. 5

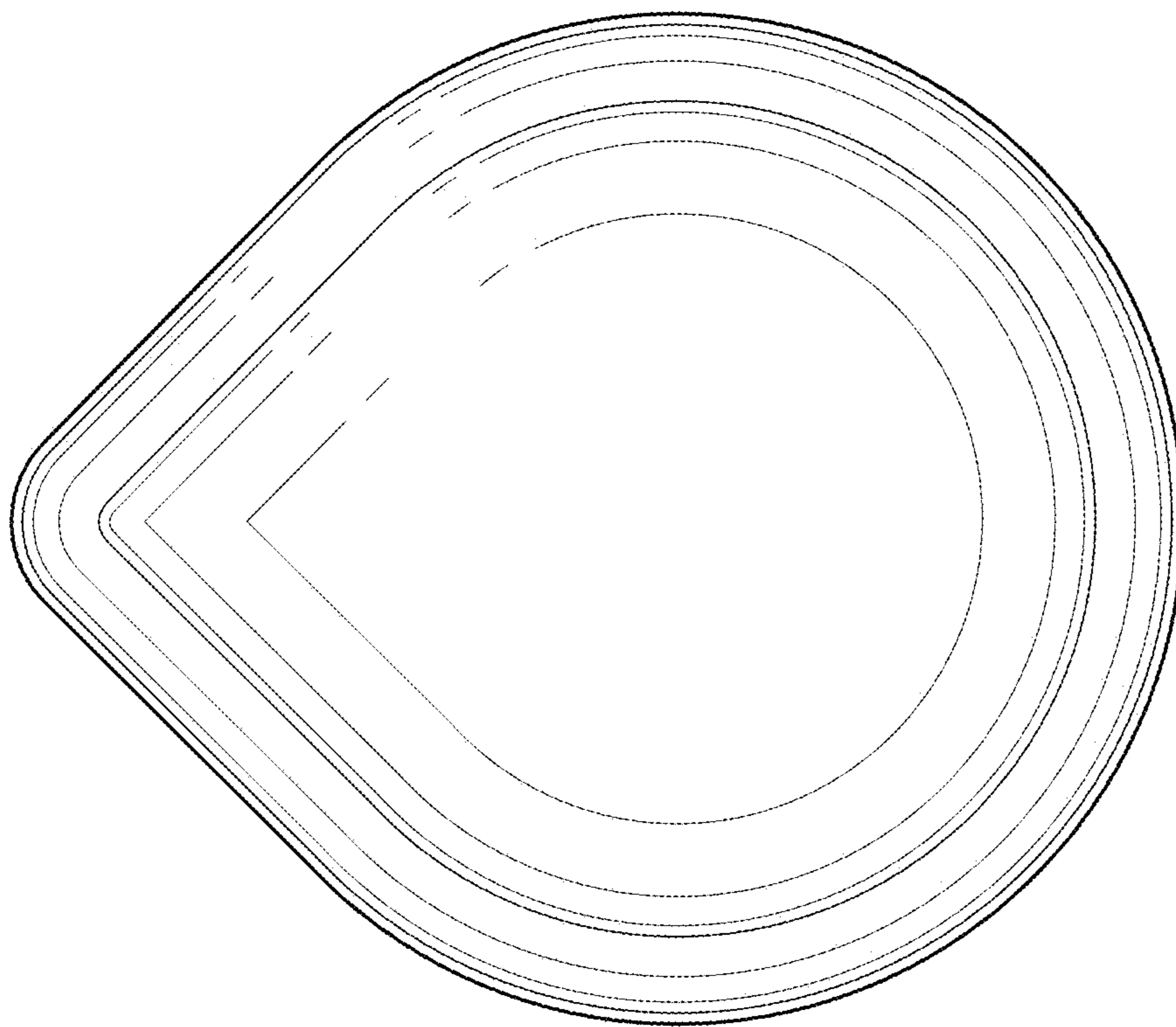


FIG. 6

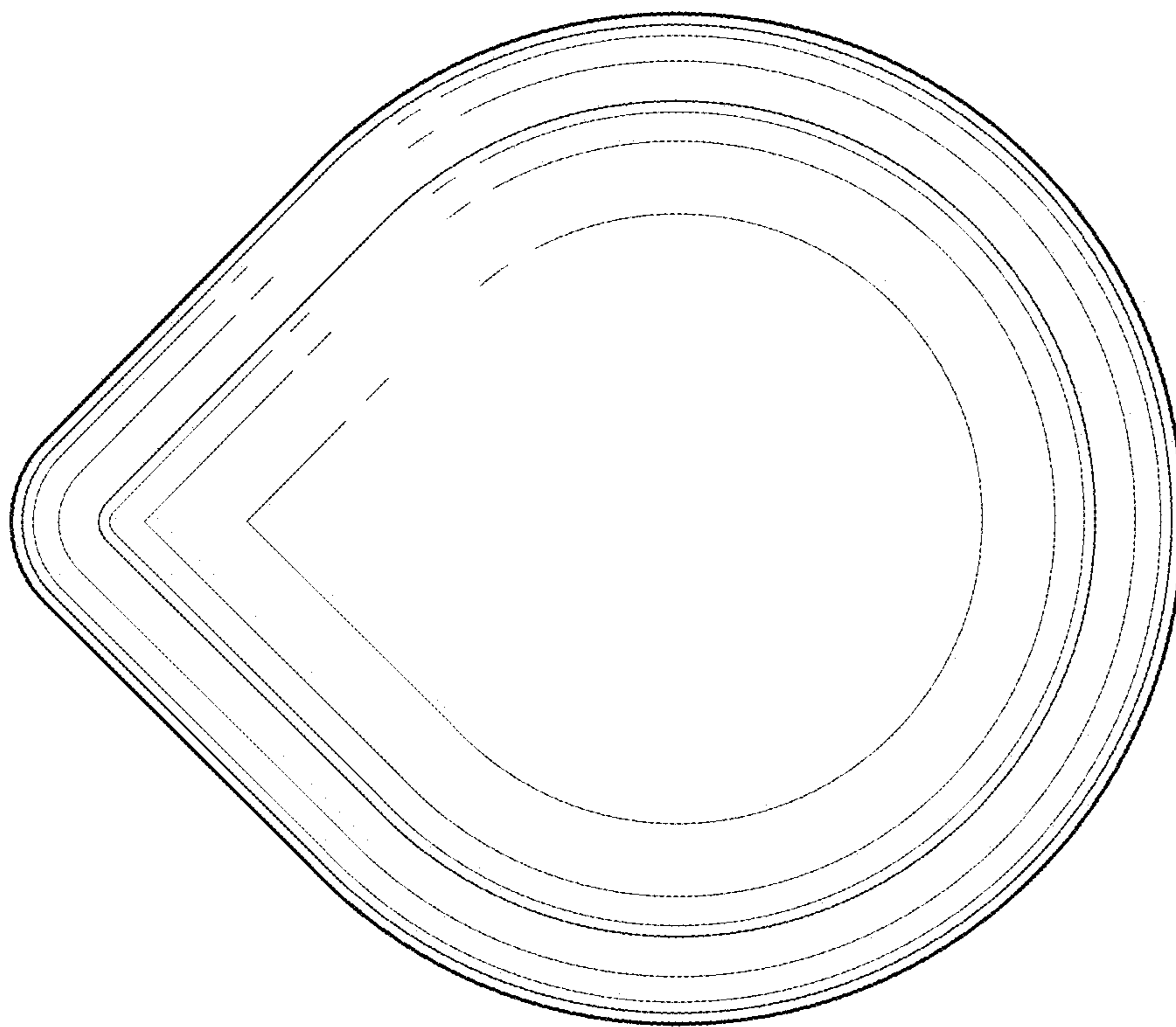


FIG. 7

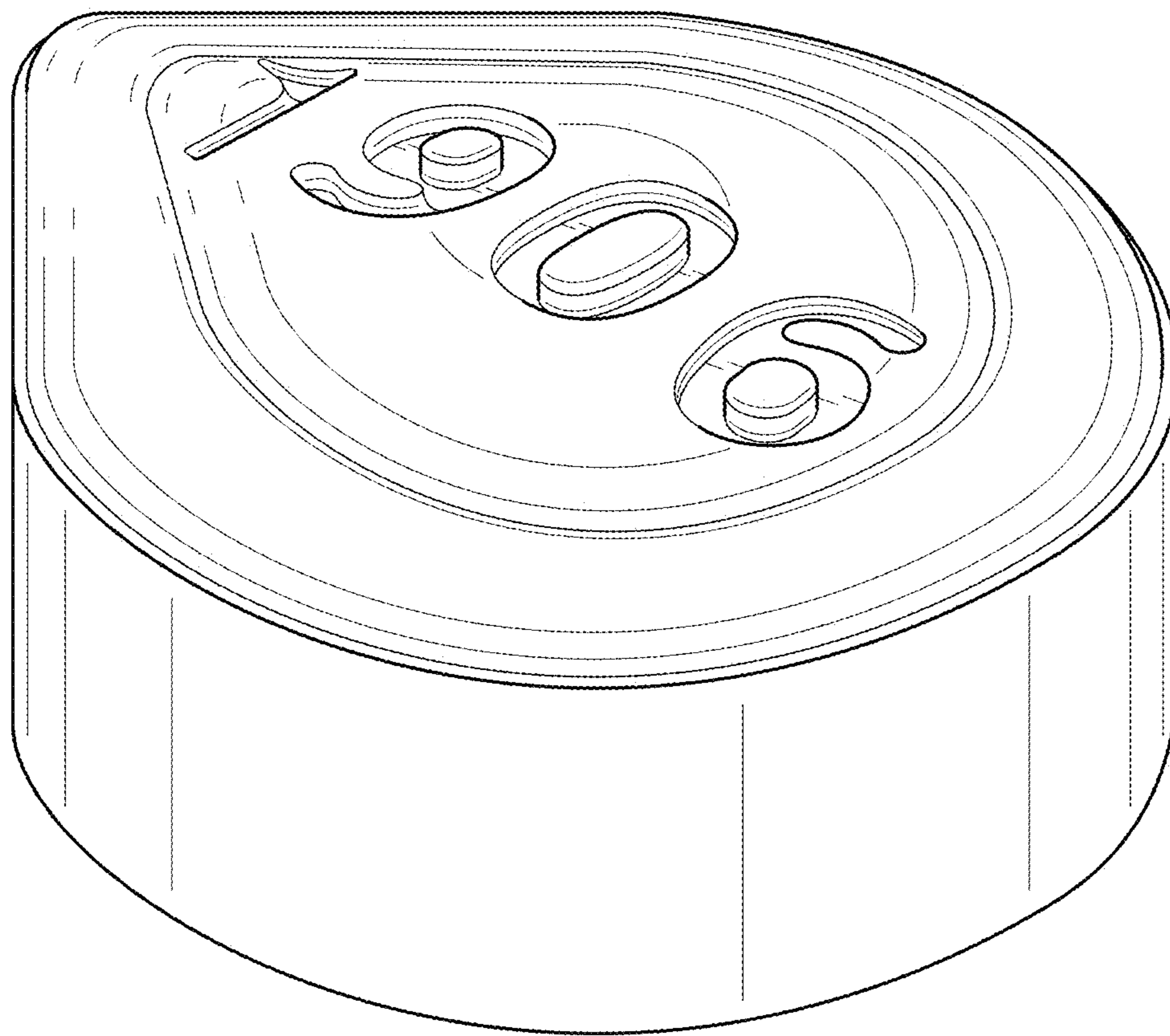


FIG. 8

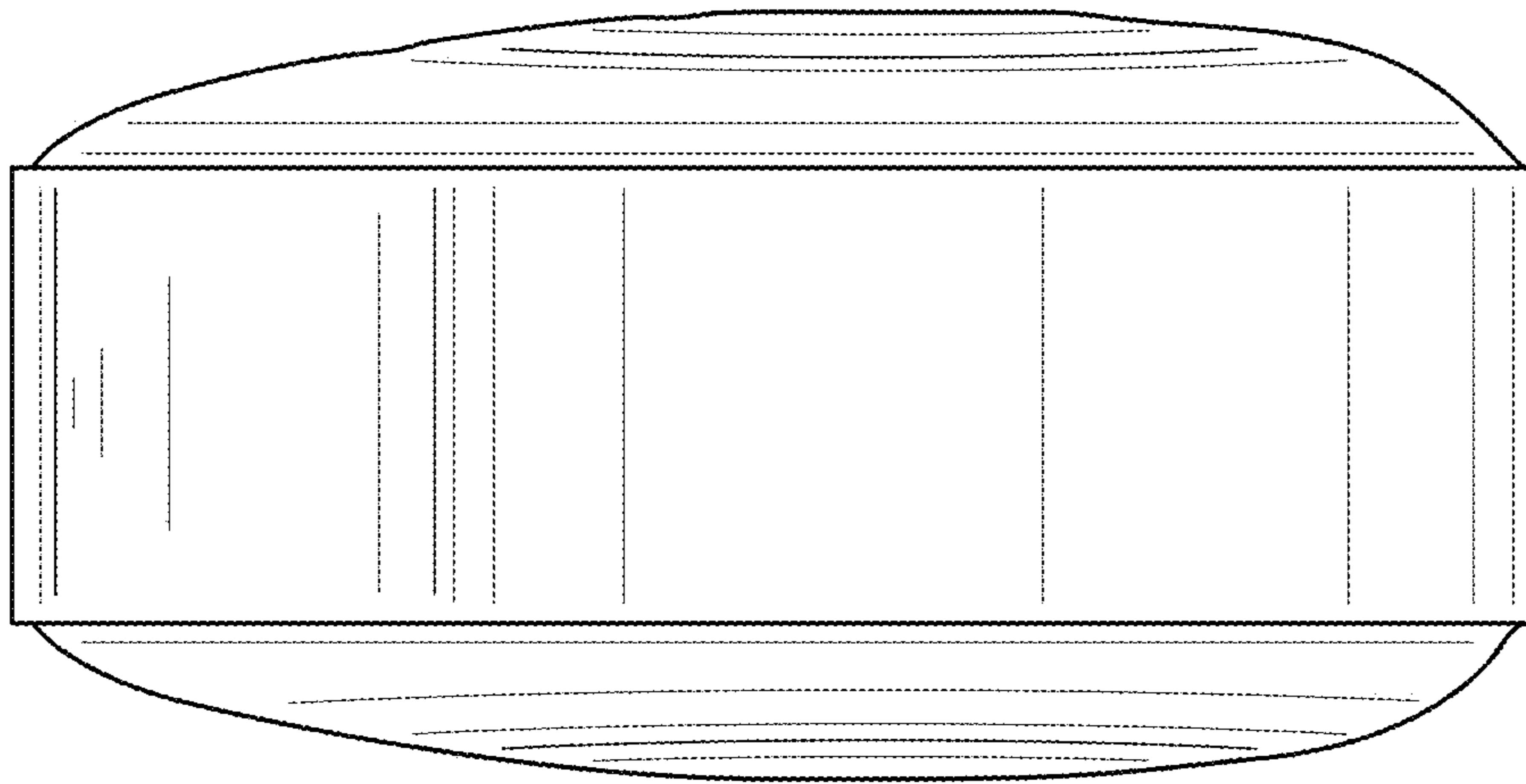


FIG. 9

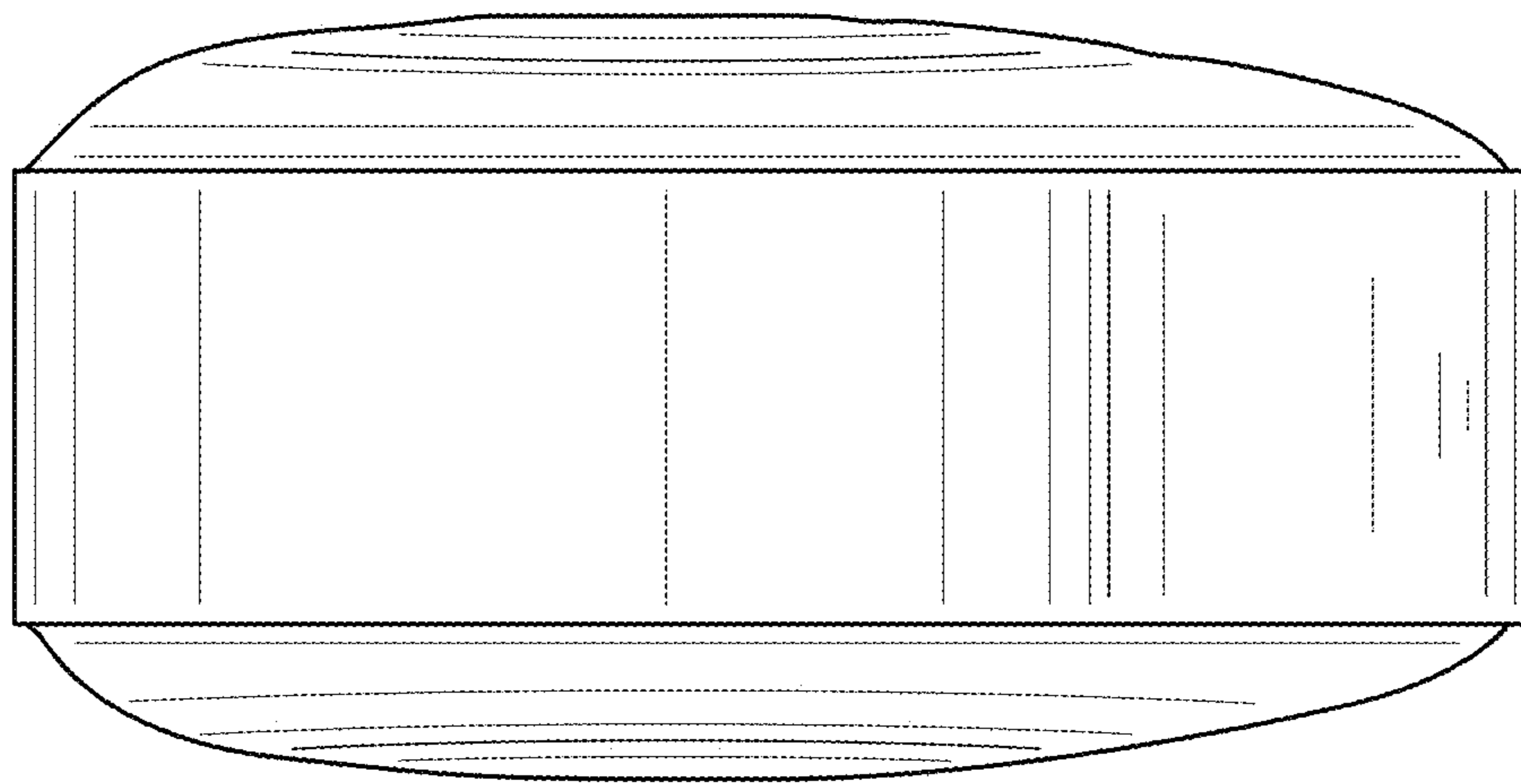


FIG. 10

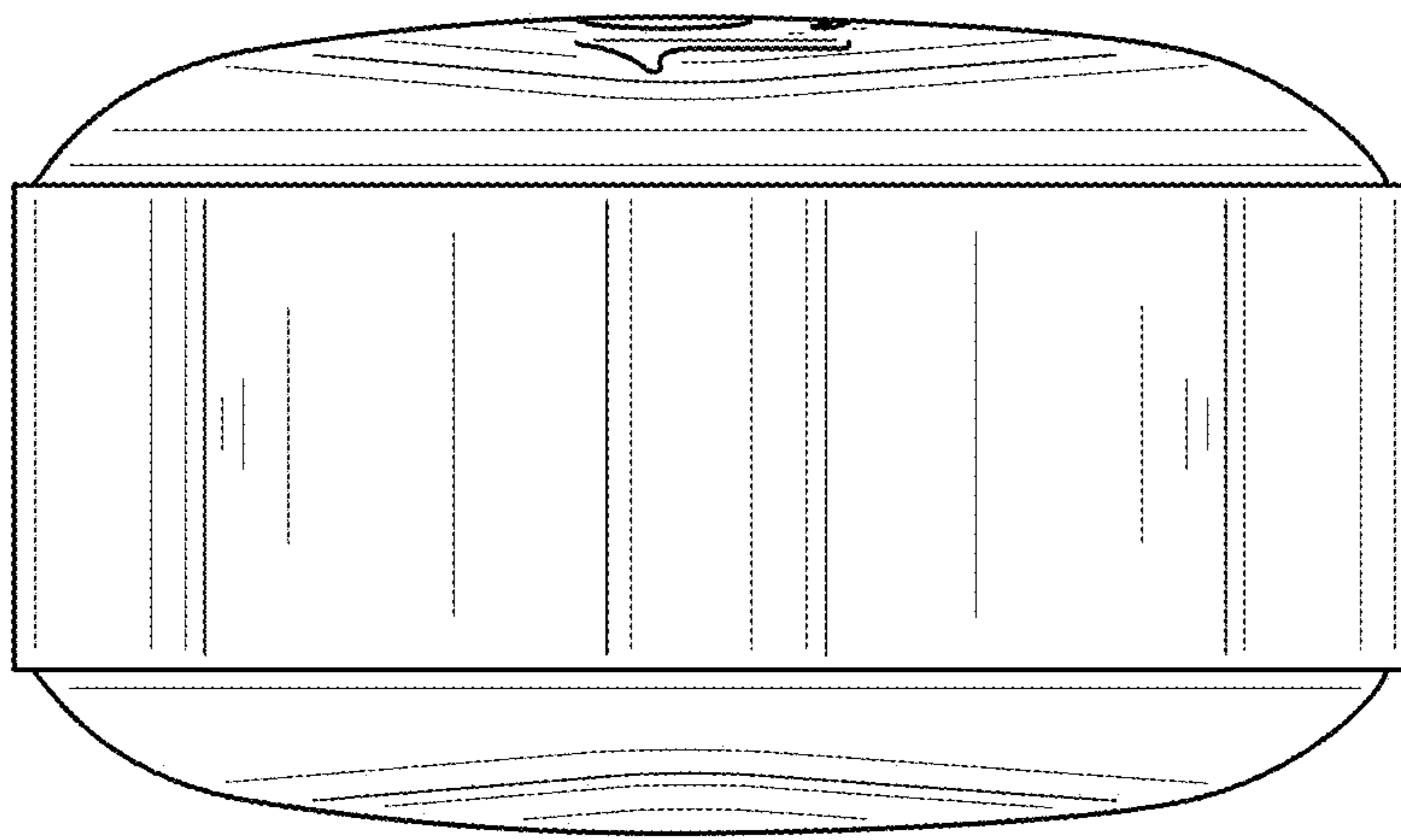


FIG. 11

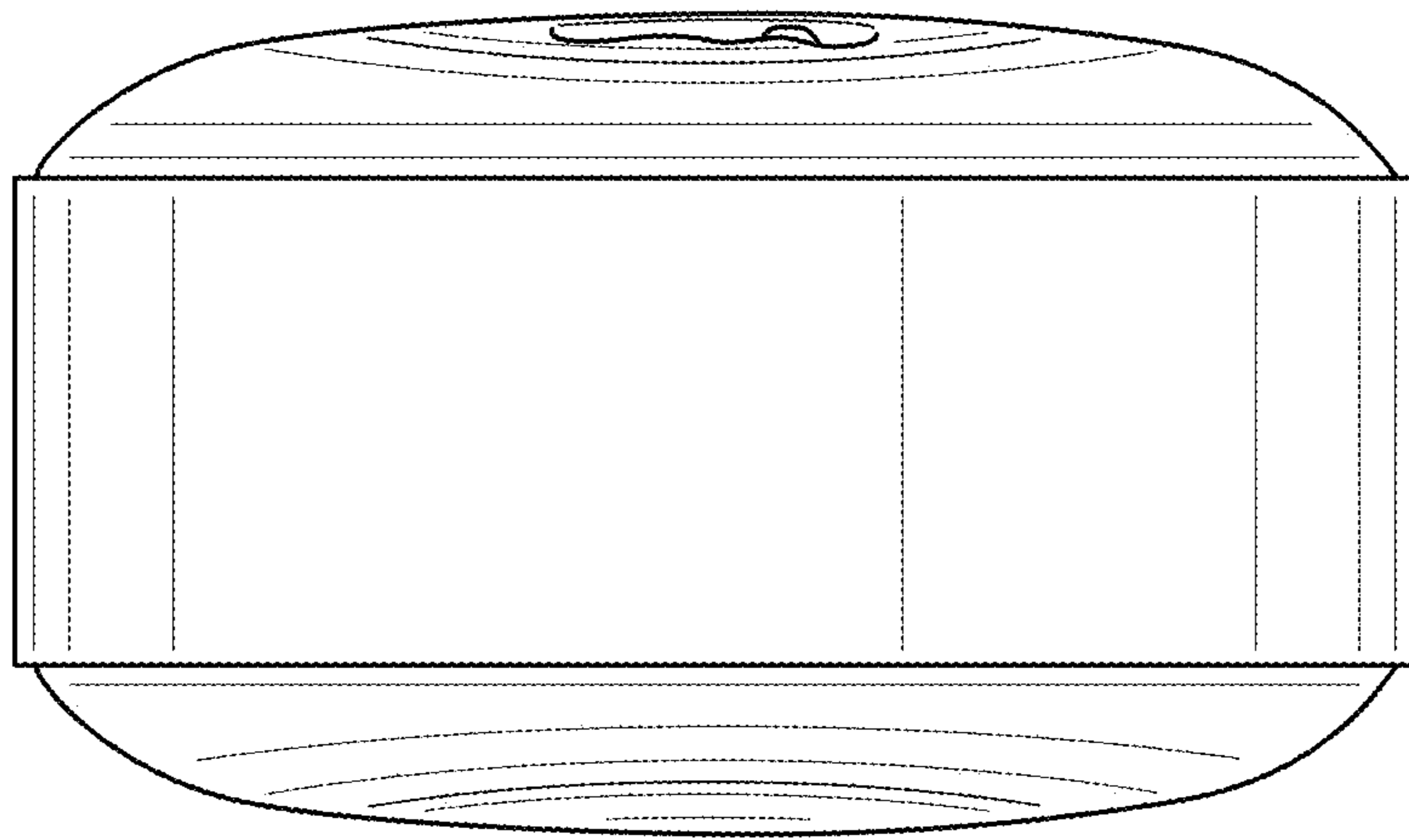


FIG. 12

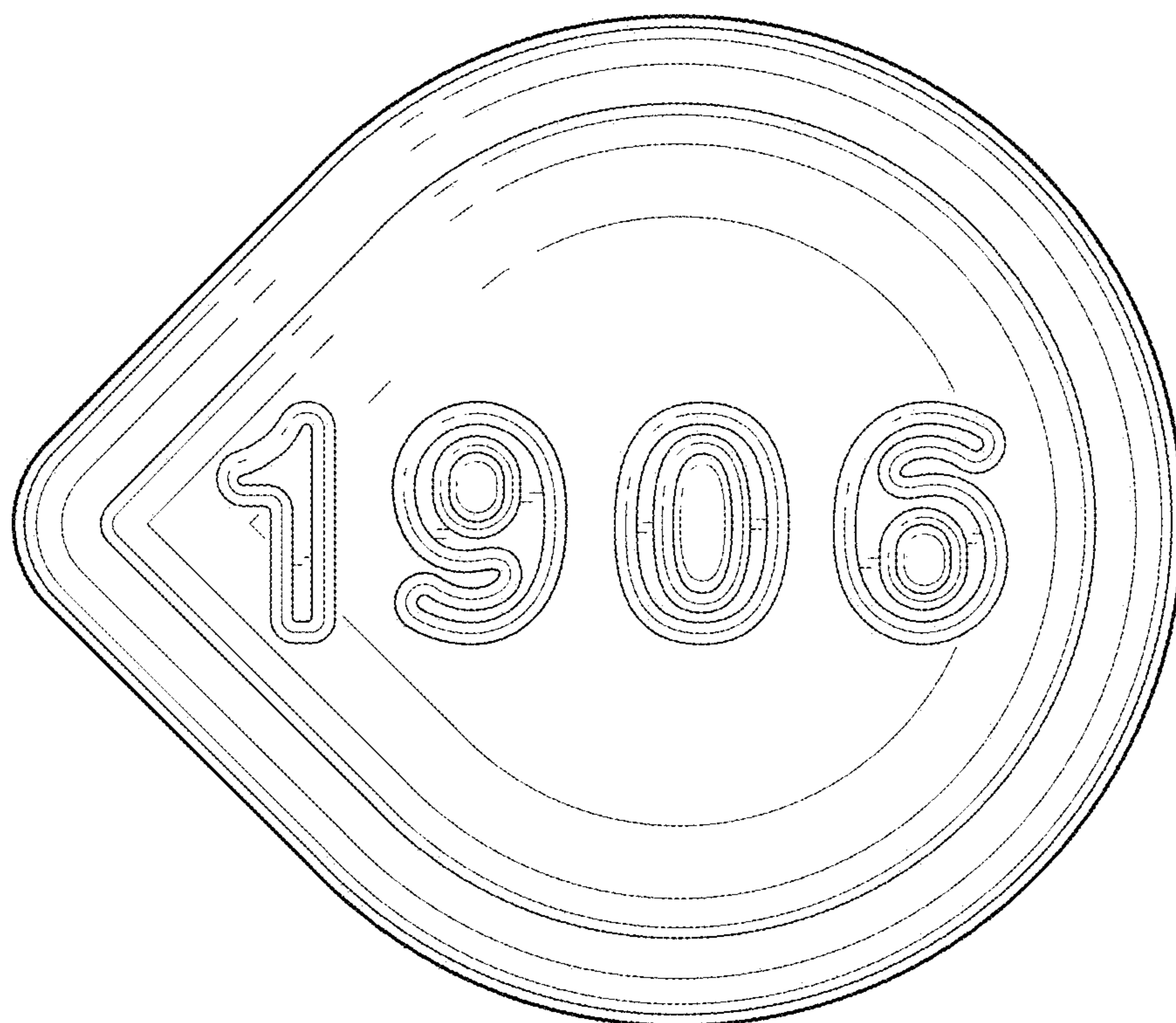


FIG. 13

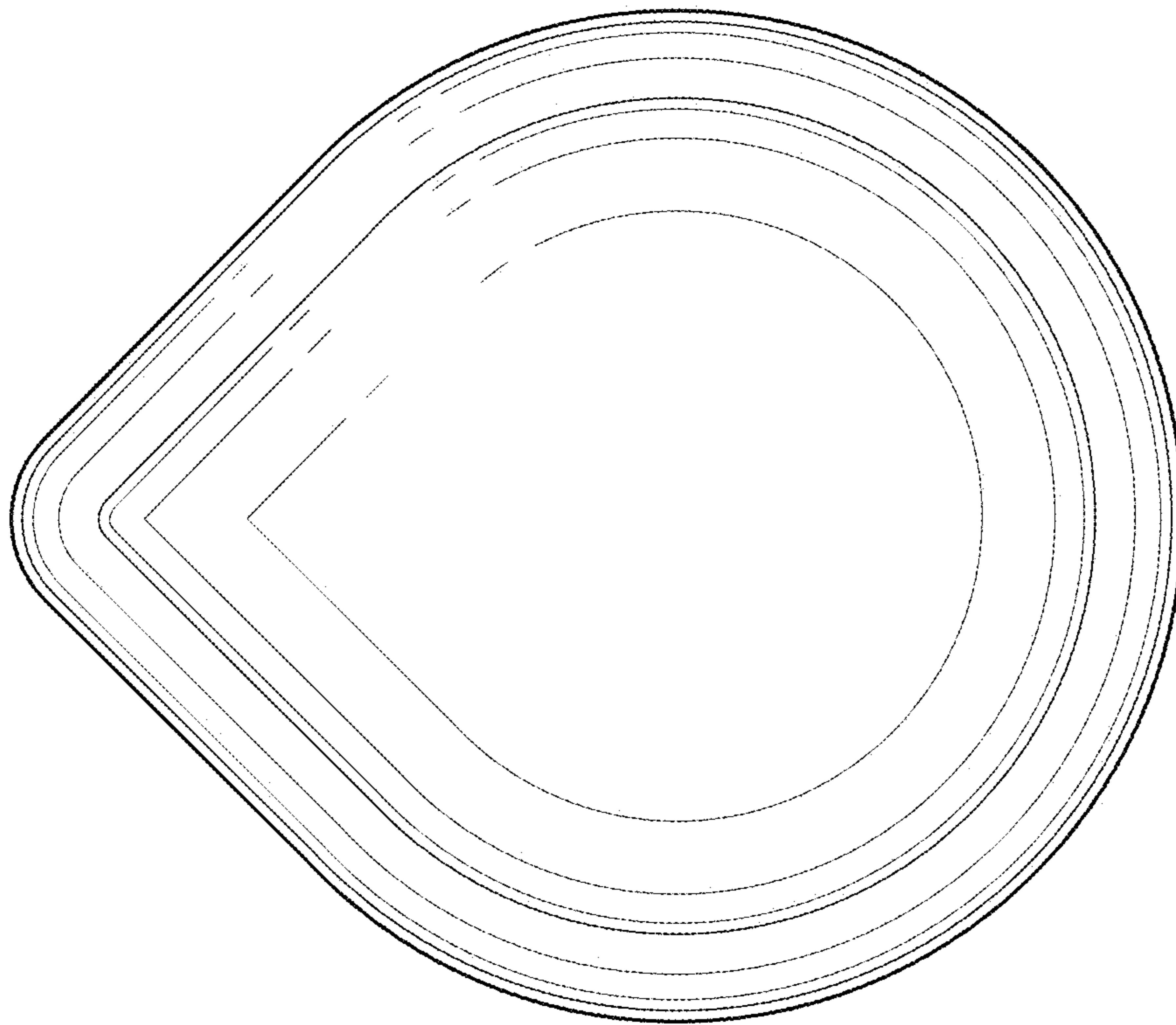


FIG. 14

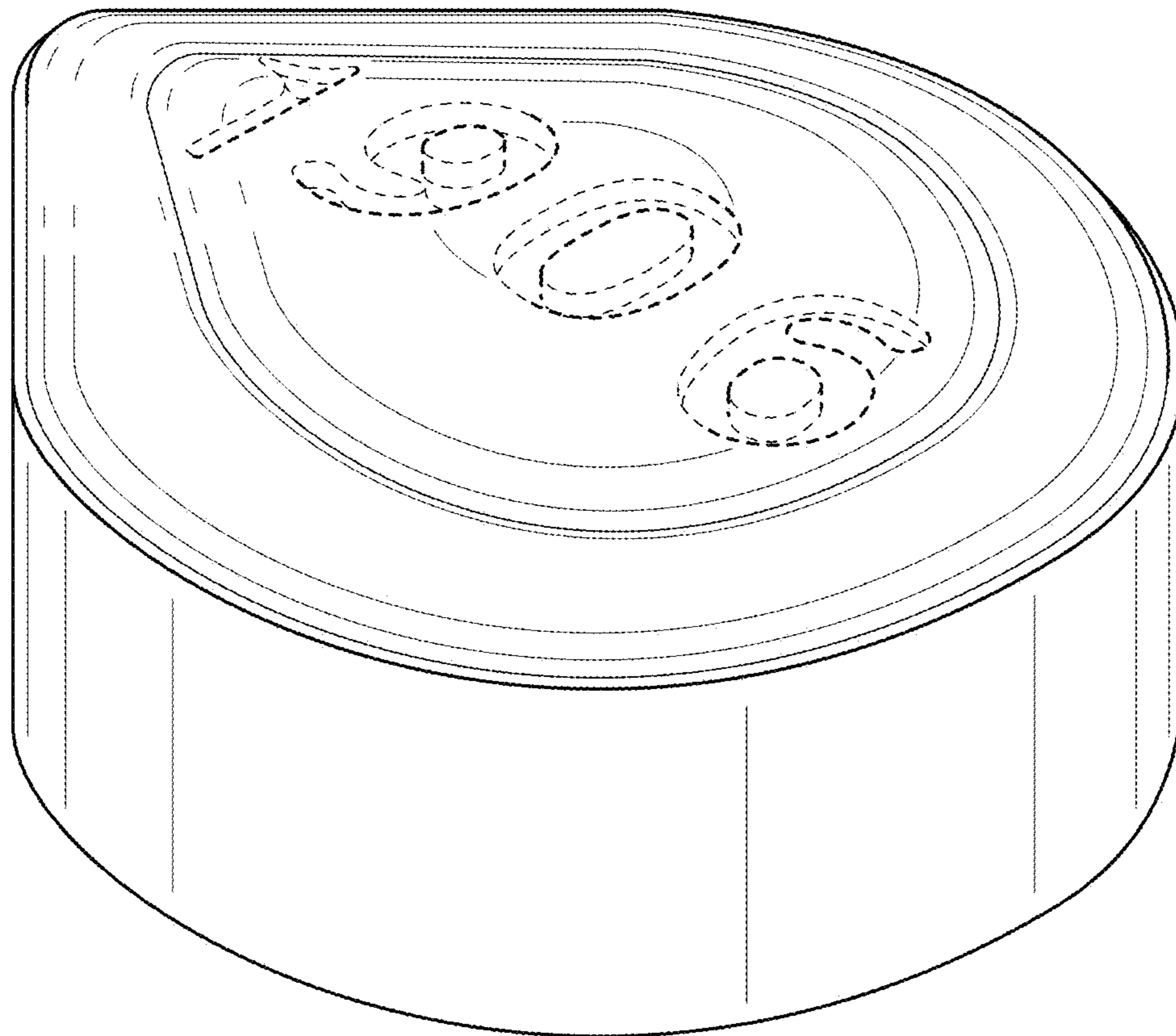


FIG. 15

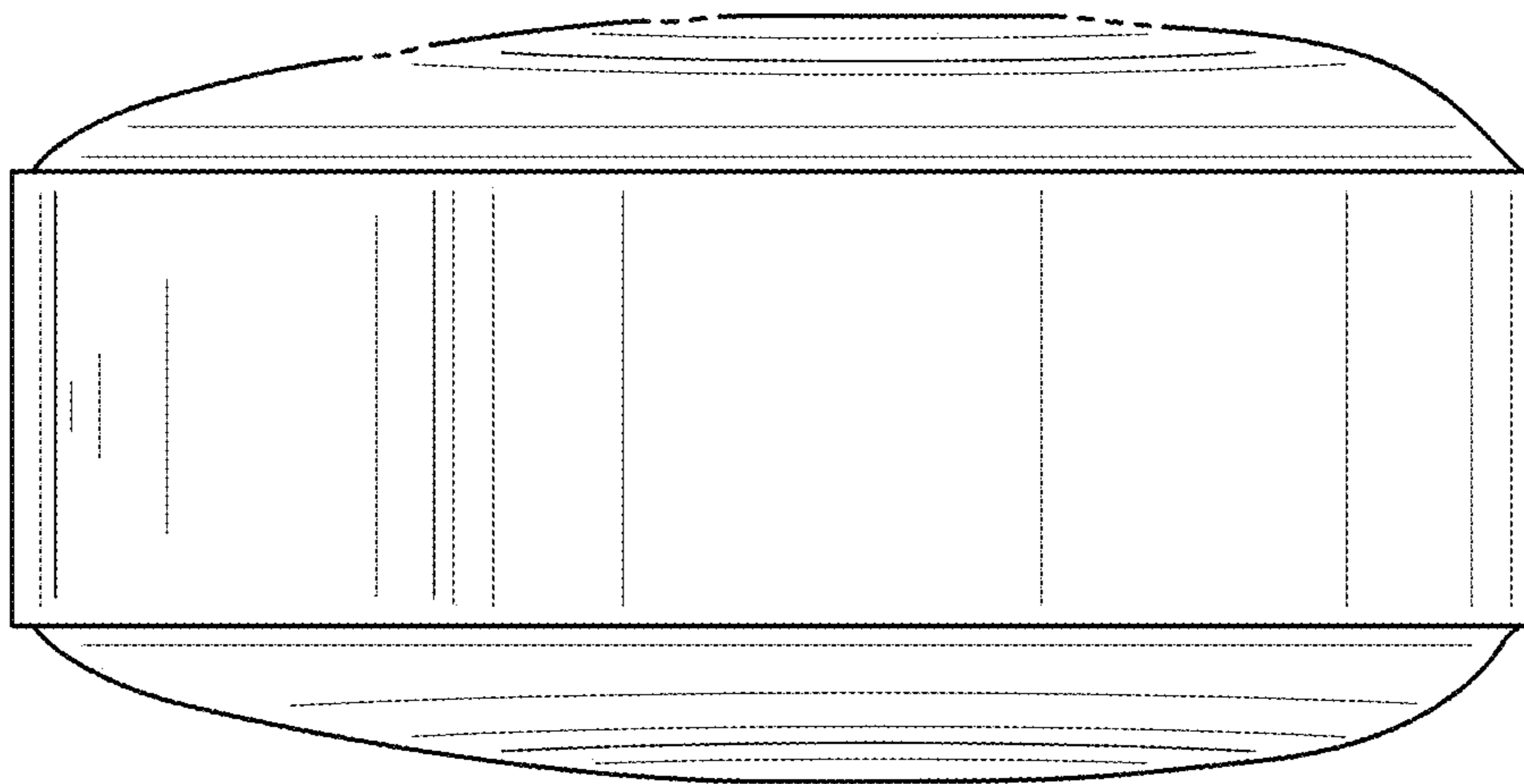


FIG. 16

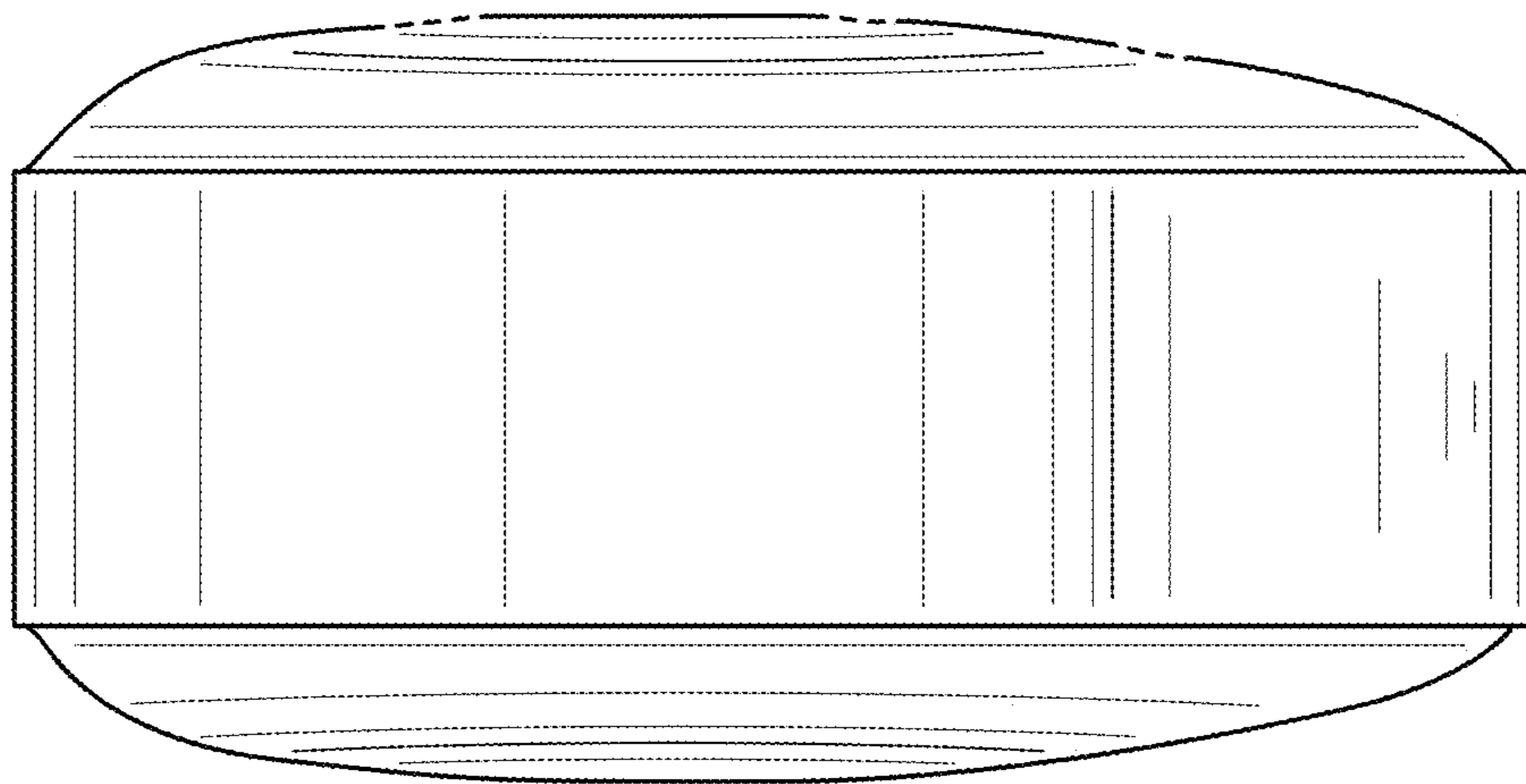


FIG. 17

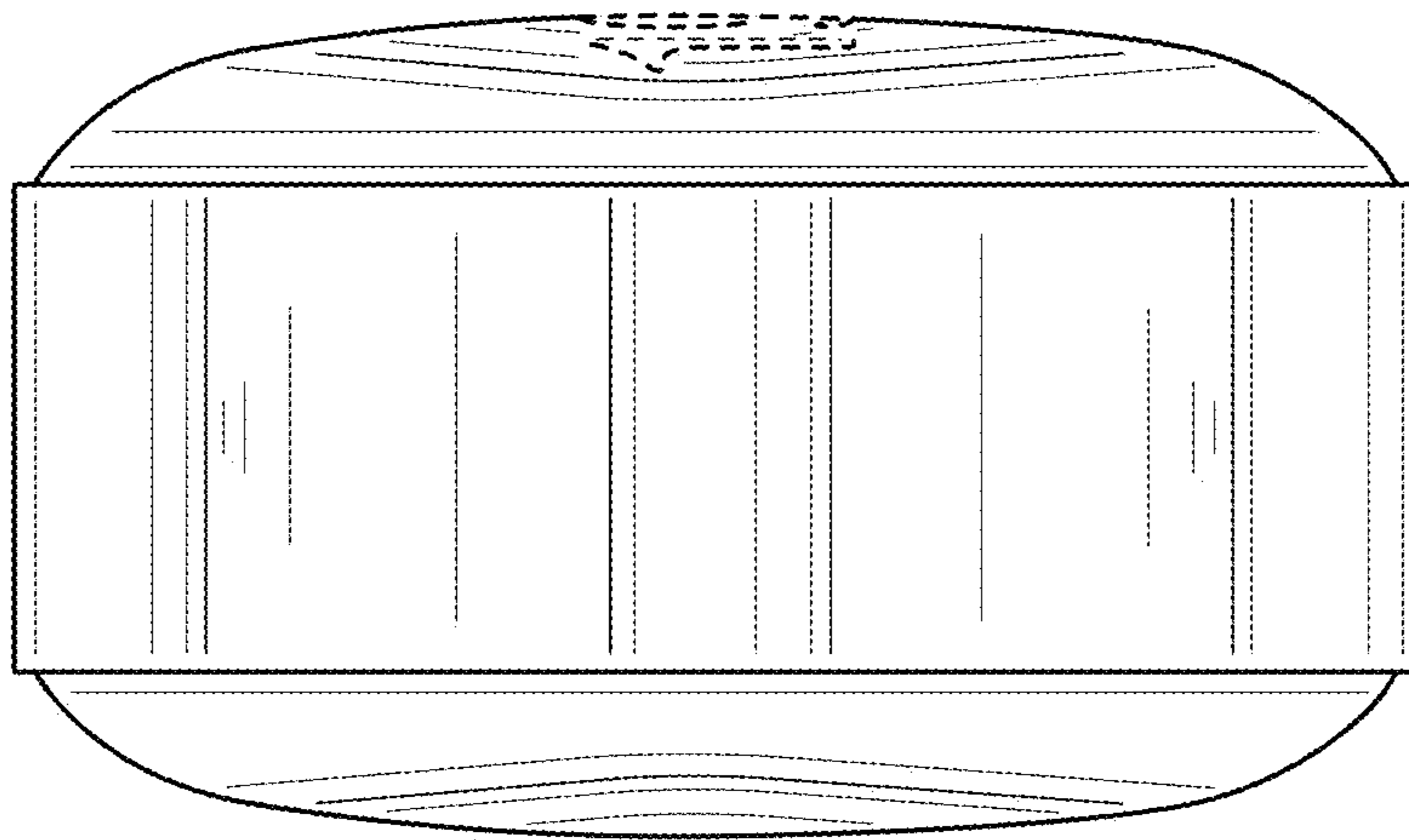


FIG. 18

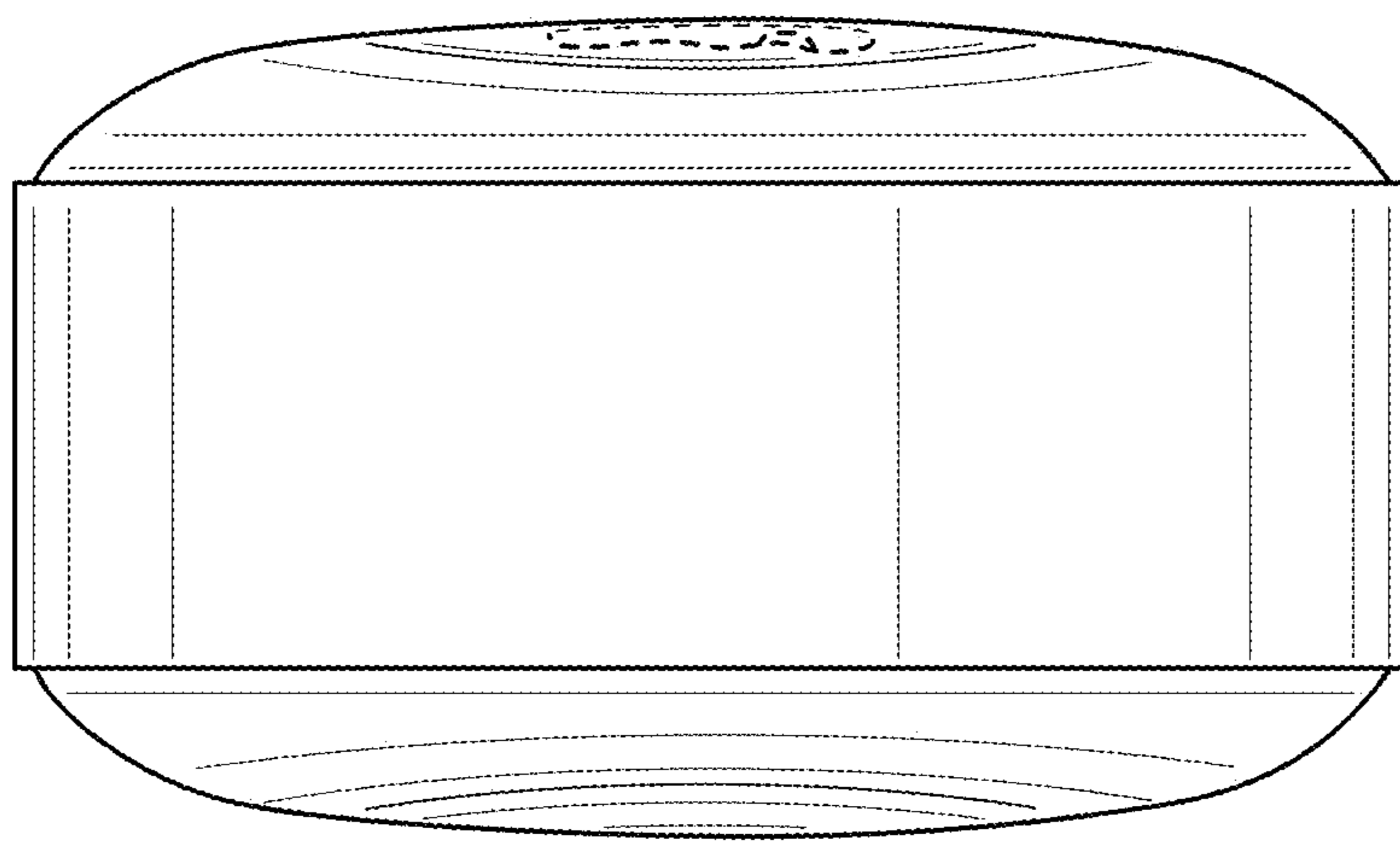


FIG. 19

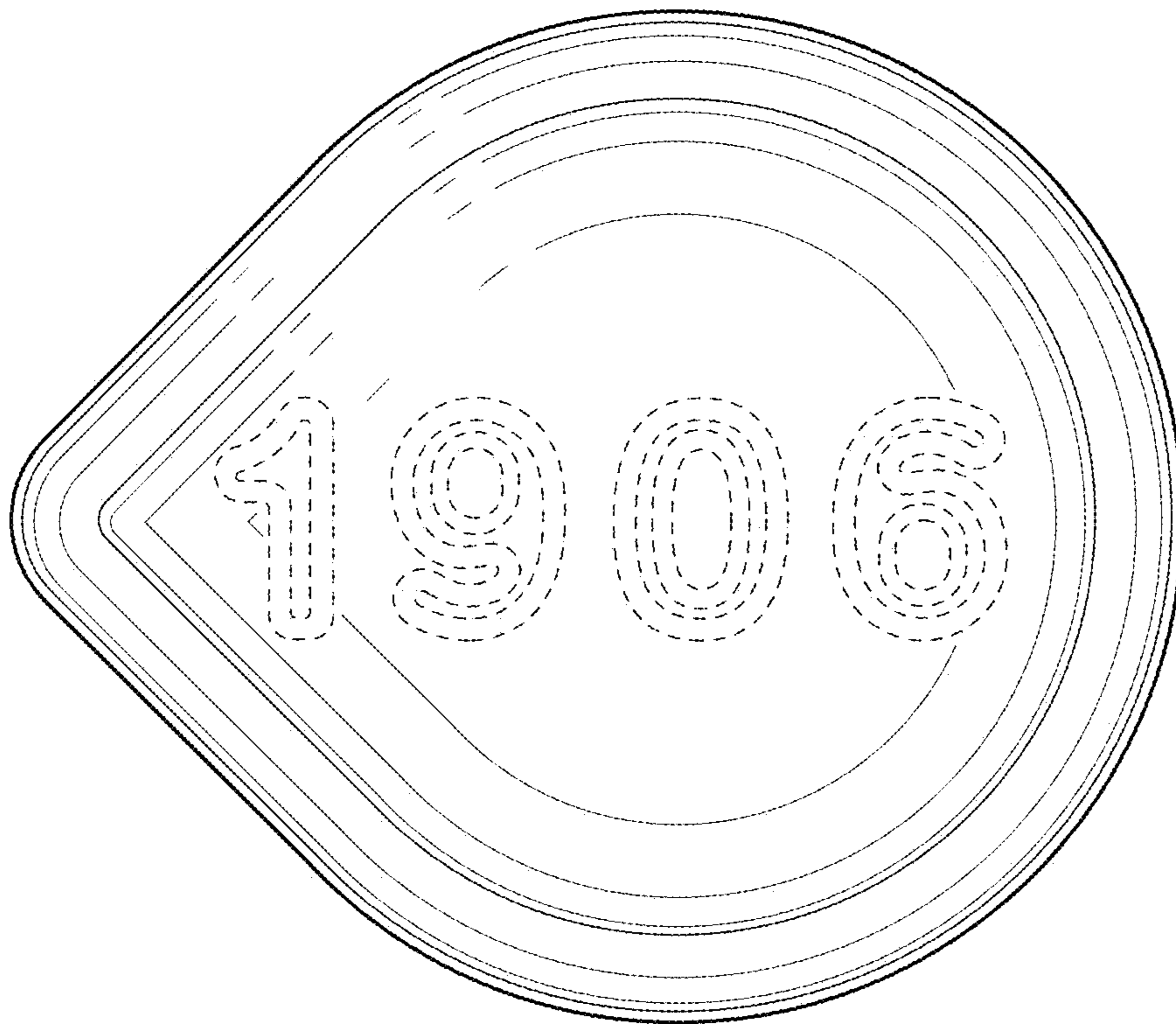


FIG. 20

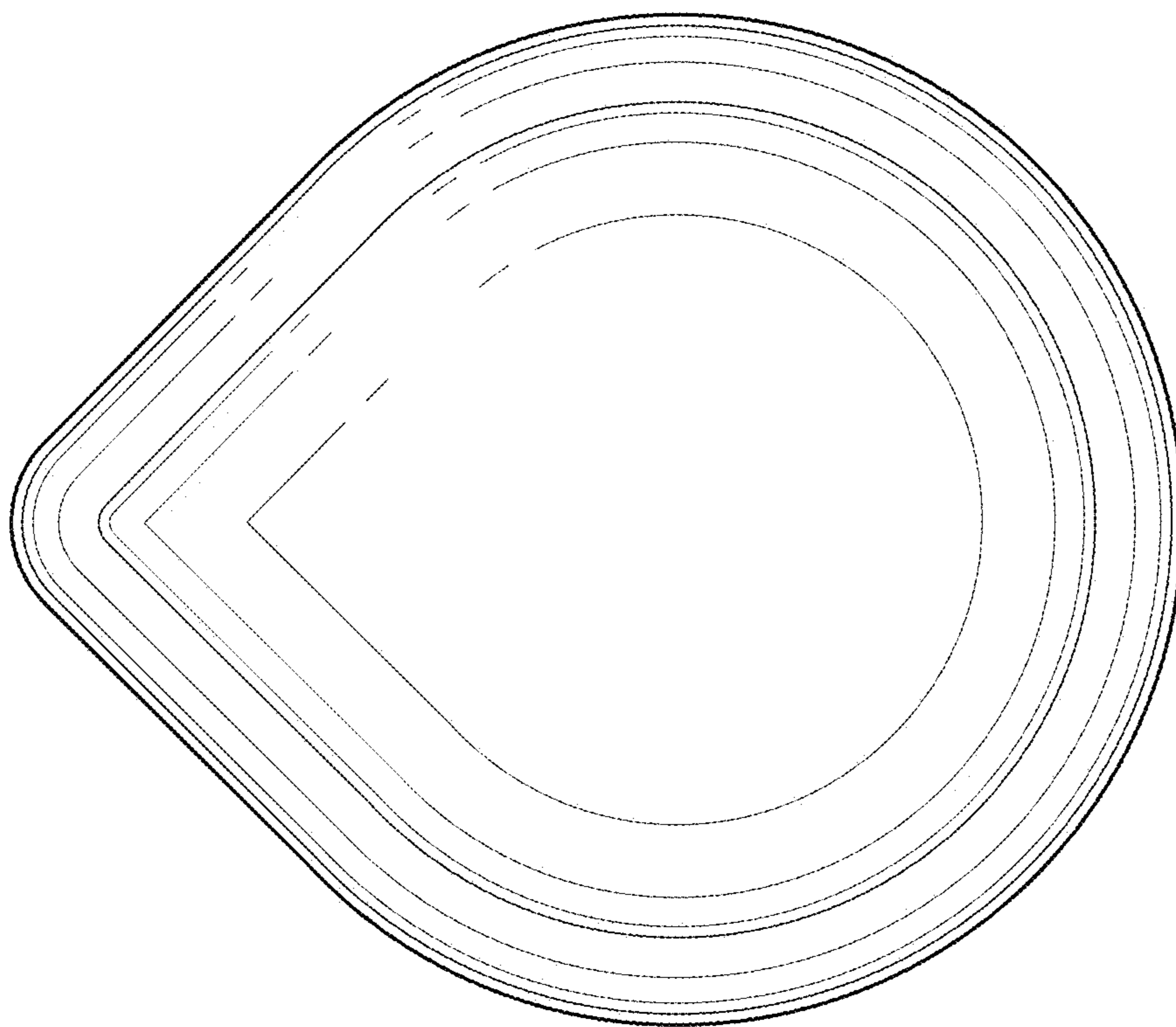


FIG. 21

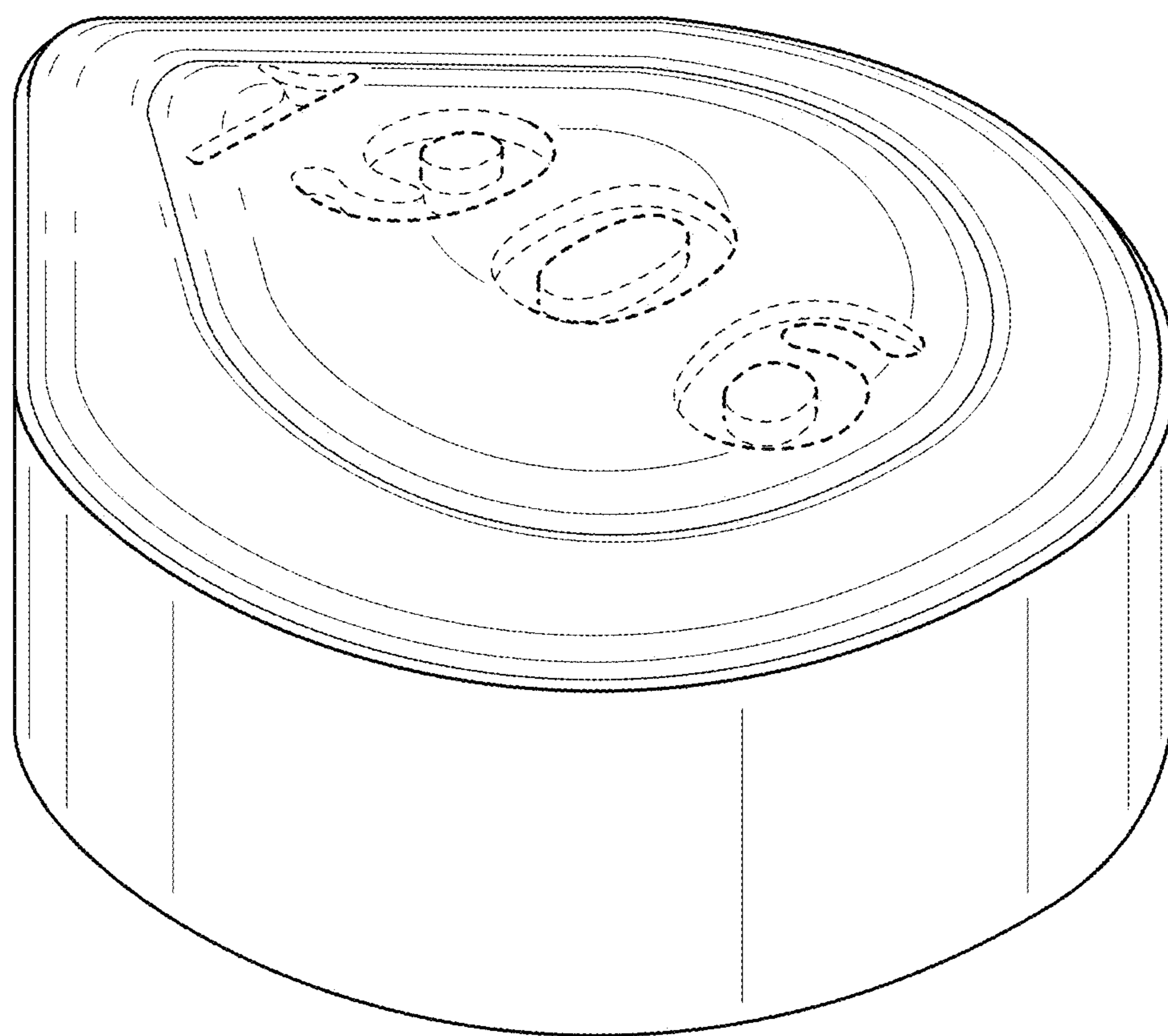


FIG. 22

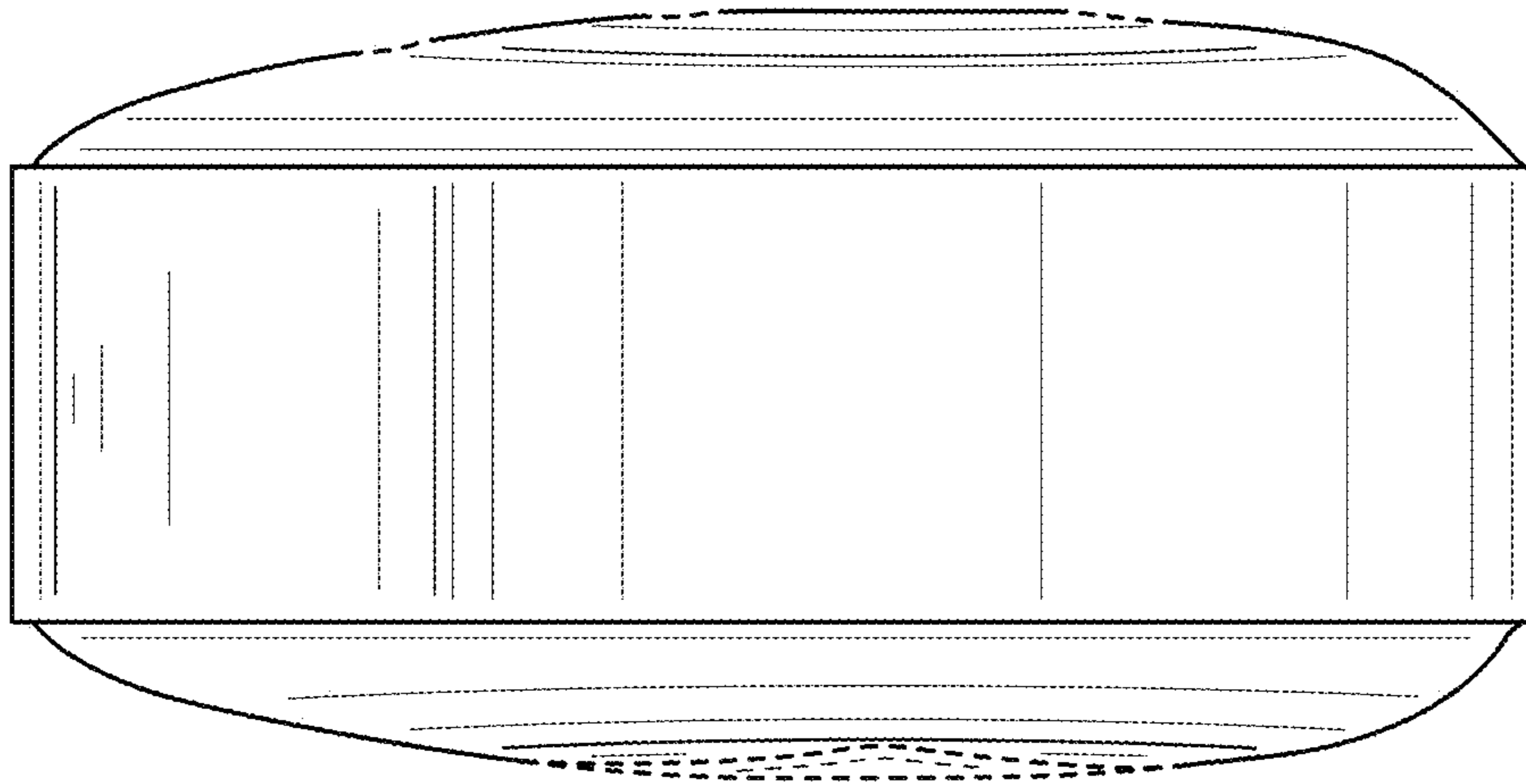


FIG. 23

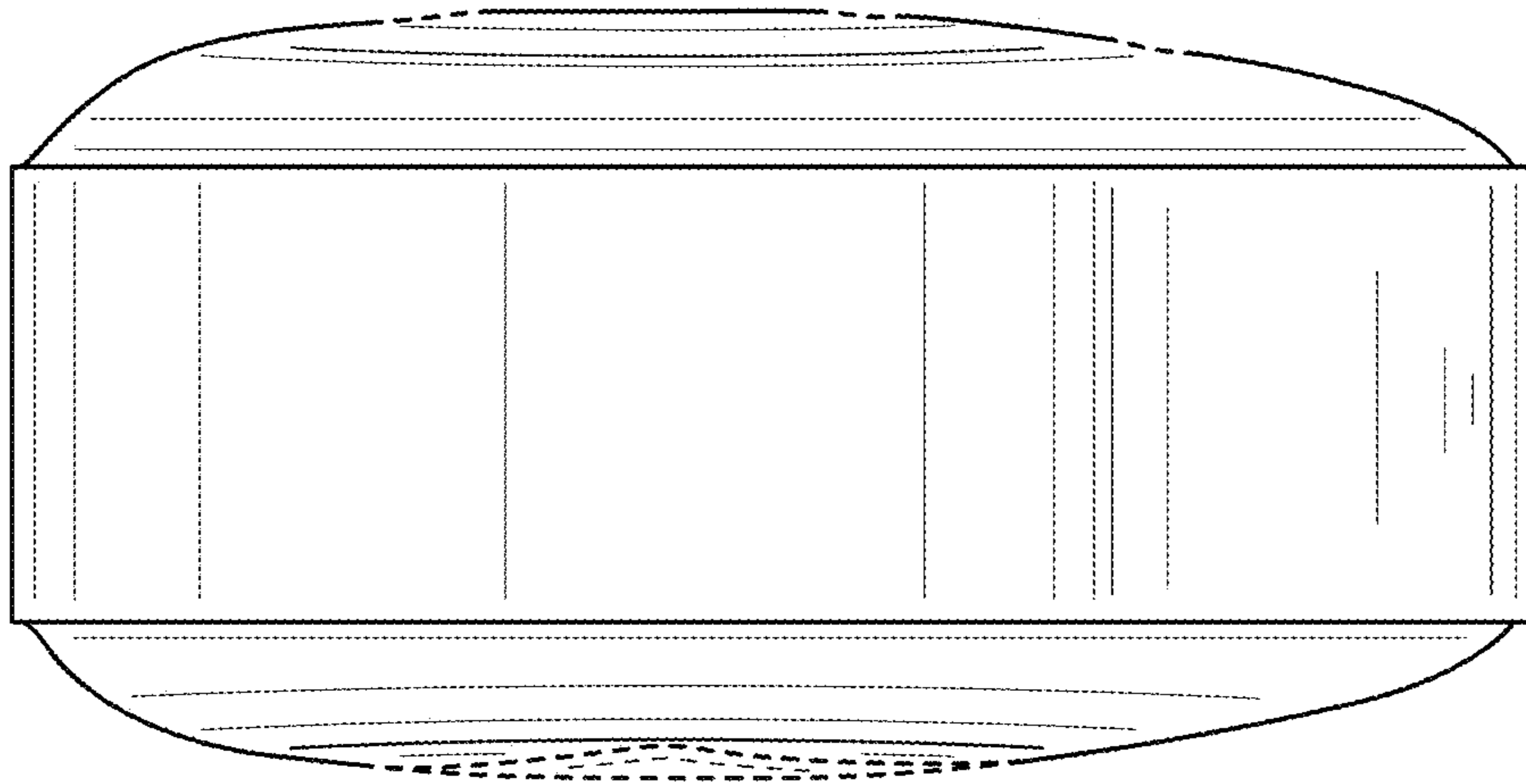


FIG. 24

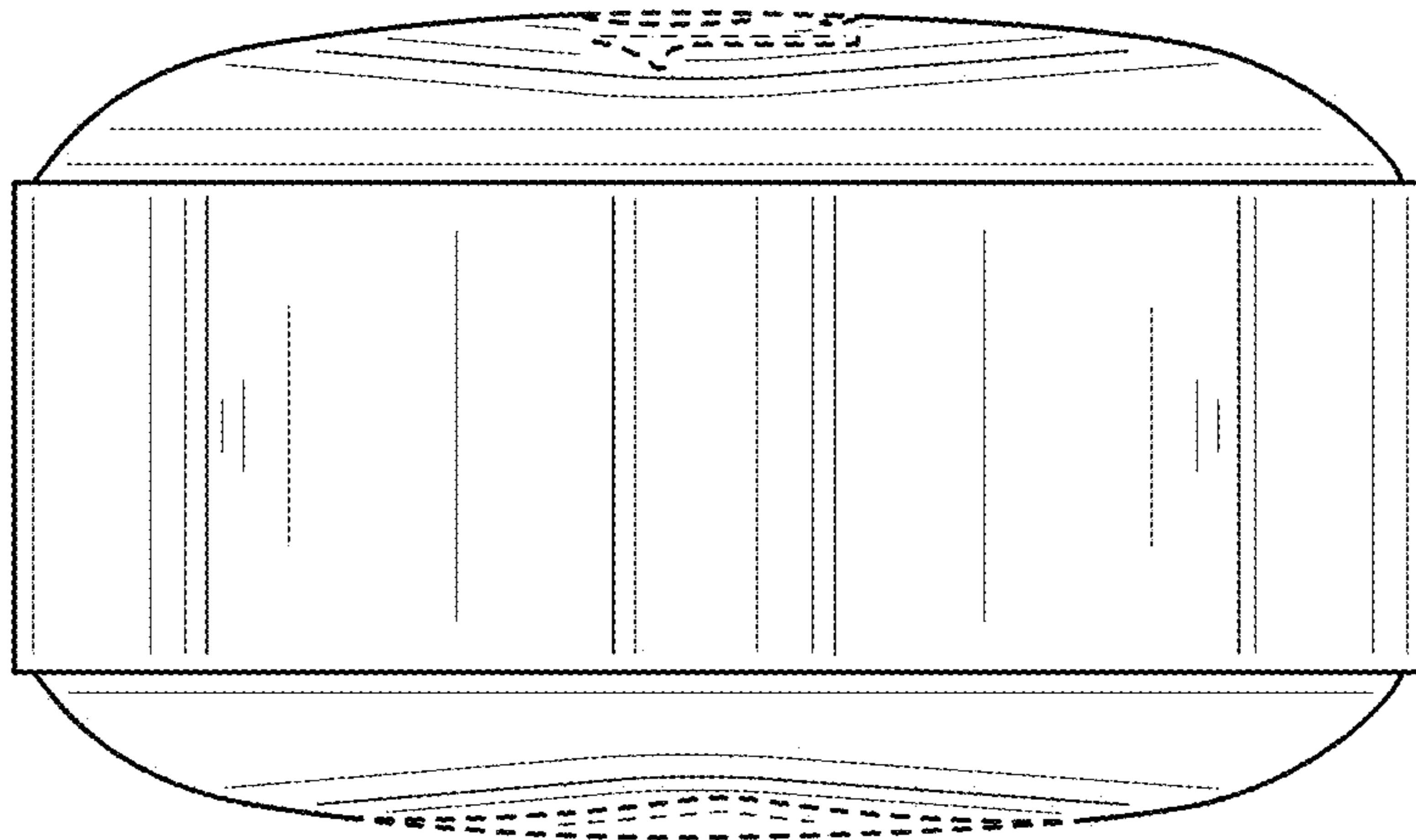


FIG. 25

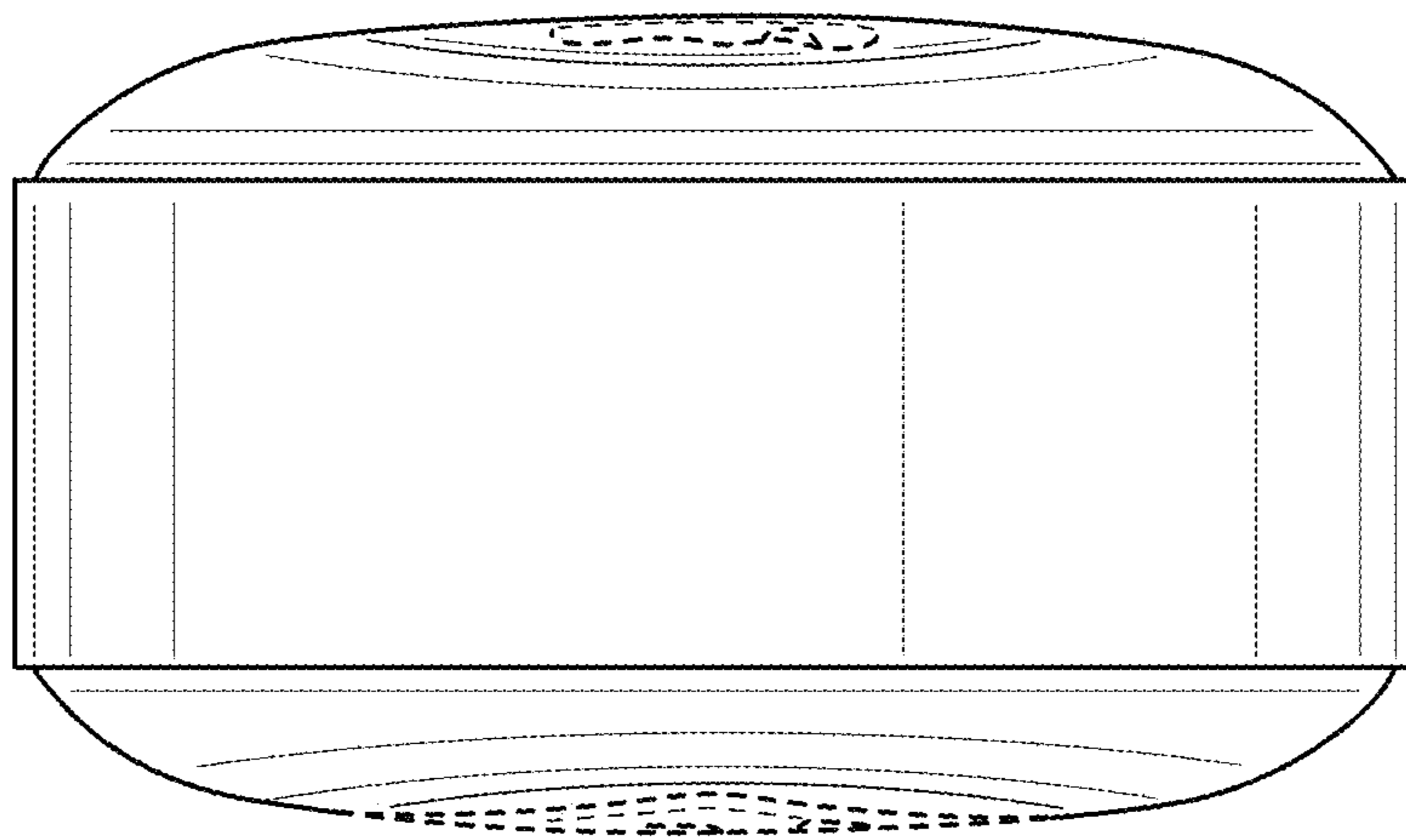


FIG. 26

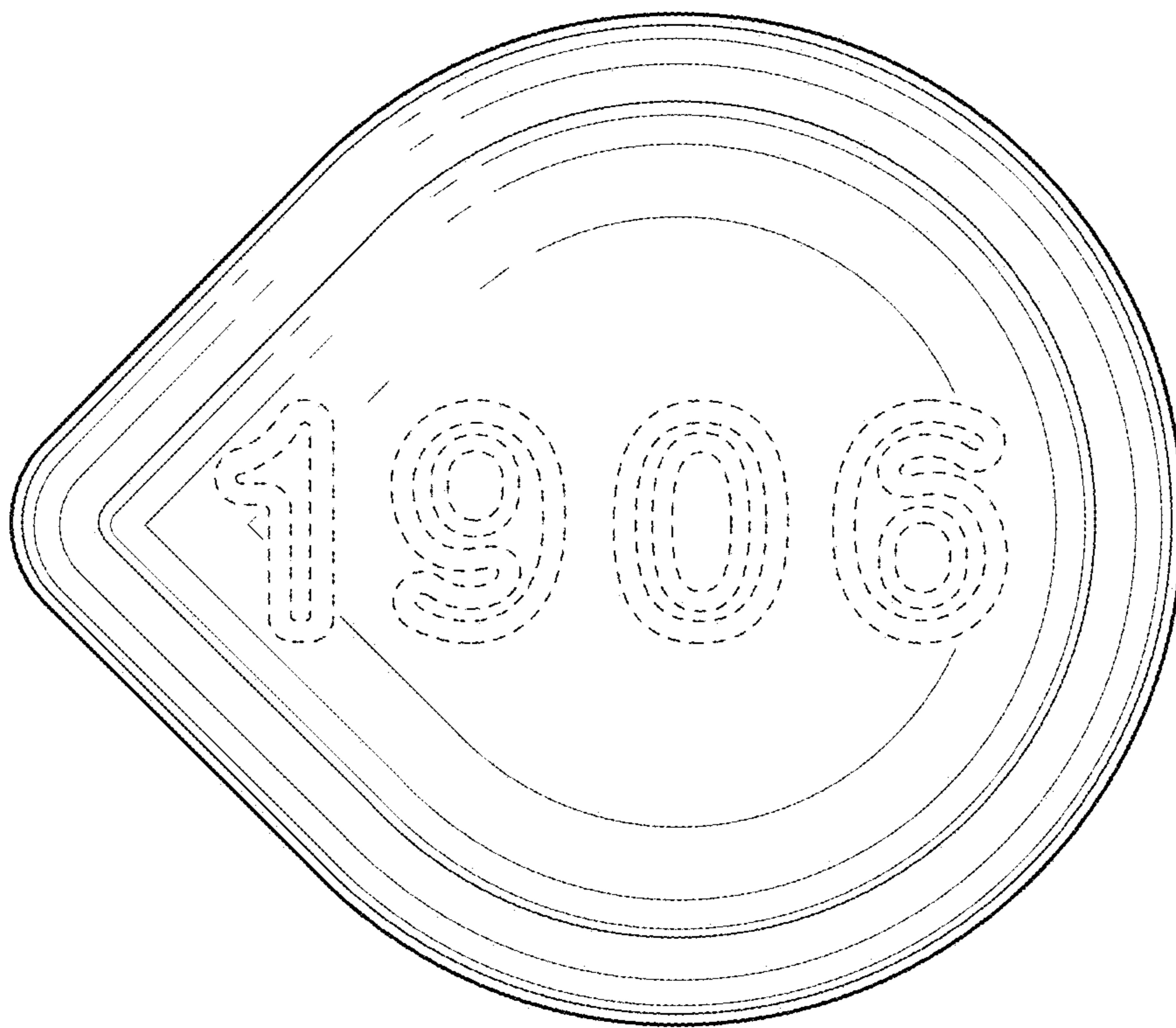


FIG. 27

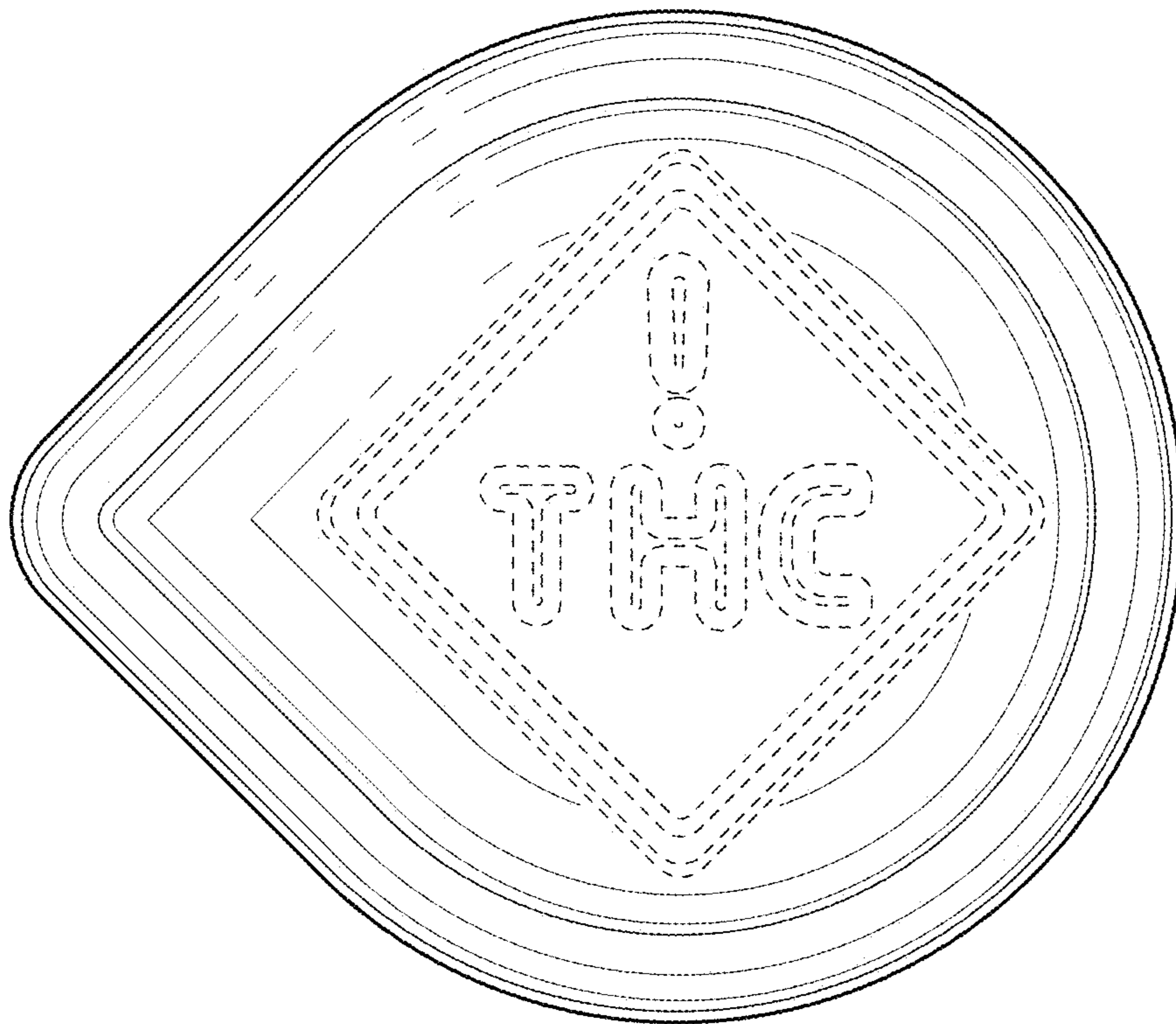


FIG. 28