



US00D917688S

(12) **United States Design Patent** (10) **Patent No.:** **US D917,688 S**
Guthrie (45) **Date of Patent:** **** Apr. 27, 2021**

(54) **CEILING FAN MOTOR HOUSING**

(71) Applicant: **HUNTER FAN COMPANY,**
Memphis, TN (US)

(72) Inventor: **Benjamin Scotti Guthrie,**
Germantown, TN (US)

(73) Assignee: **Hunter Fan Company,** Memphis, TN
(US)

(**) Term: **15 Years**

(21) Appl. No.: **29/634,852**

(22) Filed: **Jan. 25, 2018**

Related U.S. Application Data

(60) Continuation of application No. 29/619,330, filed on
Sep. 28, 2017, now Pat. No. Des. 824,558, which is
a division of application No. 29/556,776, filed on
Mar. 3, 2016, now Pat. No. Des. 804,010.

(51) **LOC (13) Cl.** **23-03**

(52) **U.S. Cl.**
USPC **D23/411**

(58) **Field of Classification Search**
USPC D23/370–385, 411–414; D26/59, 85, 86,
D26/89, 90
CPC F04D 25/088; F04D 29/38; F04D 29/384;
F04D 29/386; F21V 33/0096
See application file for complete search history.

(56) **References Cited**

U.S. PATENT DOCUMENTS

D305,893 S * 2/1990 Maloney D14/215
D357,978 S * 5/1995 Young D23/377
5,528,469 A * 6/1996 Todd, Jr. F04D 25/088
362/216
D480,464 S * 10/2003 Liu D23/377
D525,694 S 7/2006 Young
D536,086 S * 1/2007 Pan D23/411

D545,422 S * 6/2007 Glasbrenner D23/377
D559,381 S * 1/2008 Shapiro D23/411
D599,459 S * 9/2009 Hidalgo D23/377
D604,405 S * 11/2009 Searle D23/377
D671,631 S * 11/2012 Searle D23/411
D706,917 S * 6/2014 Cohen D23/377
D707,340 S * 6/2014 Pan D23/377

(Continued)

OTHER PUBLICATIONS

<http://www.menards.com/main/p-1444424537879-c-7487.htm?tid=3675202324198>, Iten Specification for The Turn of the Century Montego Bay 52" Weathered Copper Wet Rated Ceiling Fan, Model#CP152115, accessed Mar. 2, 2016.

(Continued)

Primary Examiner — Cathron C Brooks

Assistant Examiner — Sharon S Oum

(74) *Attorney, Agent, or Firm* — McGarry Bair PC

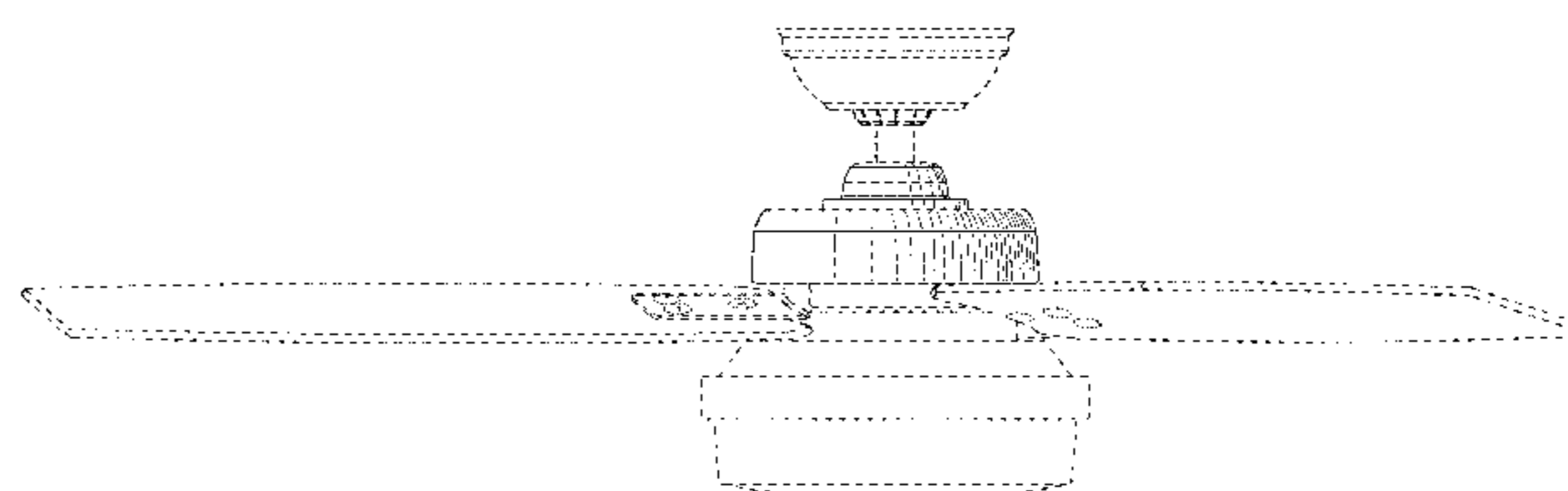
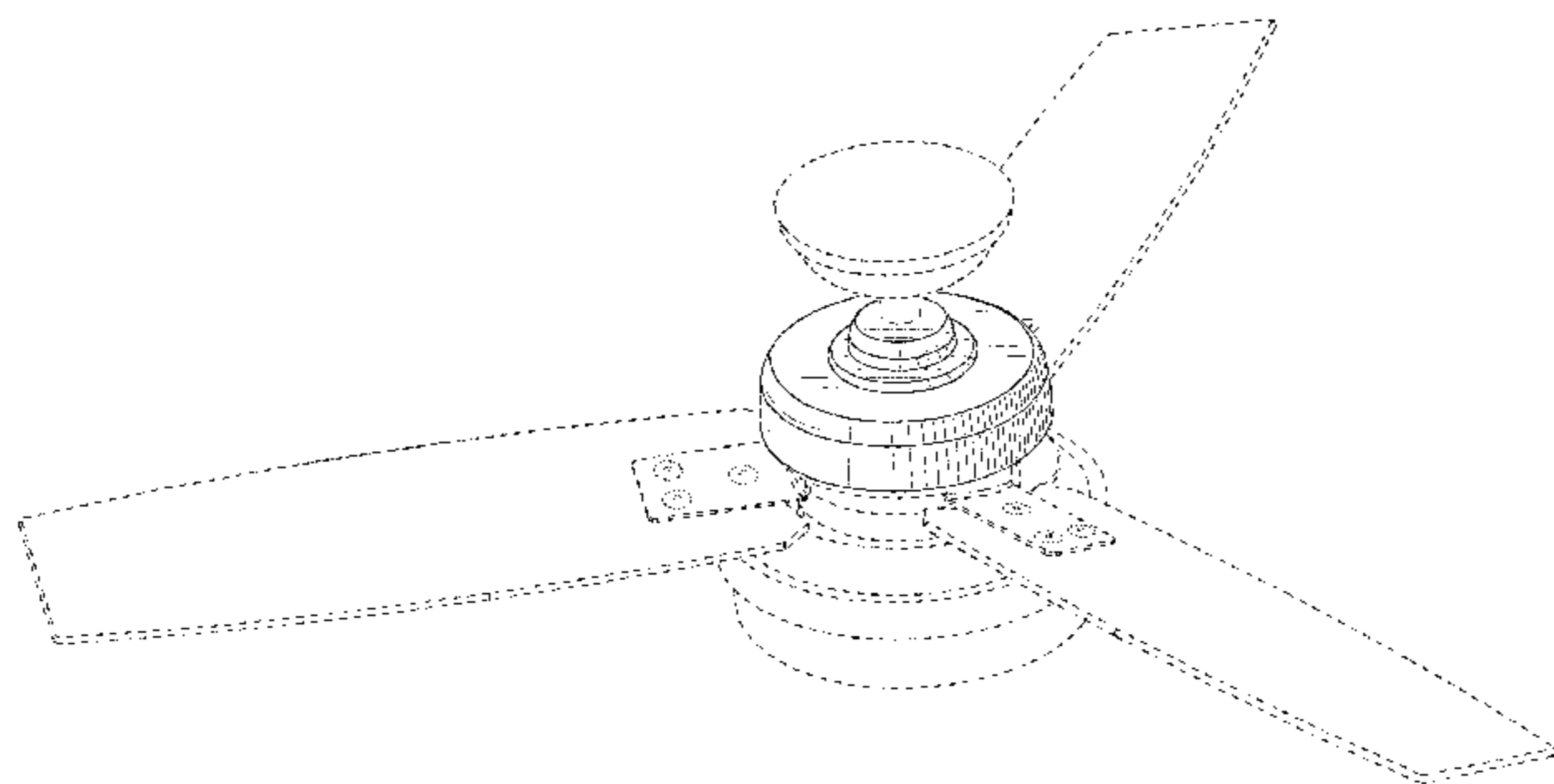
(57) **CLAIM**

The ornamental design for a ceiling fan motor housing, as shown and described.

DESCRIPTION

FIG. 1 is a top perspective view of a ceiling fan motor housing in the environment of a ceiling fan, showing my new design;
FIG. 2 is a bottom perspective view of the ceiling fan motor housing of FIG. 1;
FIG. 3 is a top view of the ceiling fan motor housing of FIG. 1;
FIG. 4 is a bottom view of the ceiling fan motor housing of FIG. 1; and,
FIG. 5 is a side view of the ceiling fan motor housing of FIG. 1.
Portions of the ceiling fan motor housing and ceiling fan environment shown in broken lines form no part of the claimed design.

1 Claim, 5 Drawing Sheets



(56)

References Cited

U.S. PATENT DOCUMENTS

D708,314 S * 7/2014 Pan D23/377
 D710,489 S * 8/2014 Shurtleff D23/377
 D743,527 S * 11/2015 Wang D23/411
 D743,528 S * 11/2015 Wang D23/411
 D745,956 S * 12/2015 Ertze D23/385
 D745,959 S * 12/2015 Ertze D23/411
 D785,157 S * 4/2017 Wang D23/377
 D788,283 S 5/2017 Busta
 D788,422 S 6/2017 Gibson
 D794,768 S * 8/2017 Wang D23/377
 D804,010 S * 11/2017 Guthrie D23/377
 D804,633 S * 12/2017 Holmes D23/377
 D819,596 S * 6/2018 Sun D14/211
 D824,558 S * 7/2018 Guthrie D26/59
 2005/0214145 A1 * 9/2005 Grinbergs F04D 17/165
 417/423.14
 2005/0249598 A1 * 11/2005 Young F04D 19/024
 416/198 R
 2018/0128277 A1 * 5/2018 Chia F04D 25/088

OTHER PUBLICATIONS

<http://www.quoruminternational.com/index.cfm/app/productDetail?product=82524-86>, Item Specification for The Quorum Interna-

tional Model #82524-86, Oiled Bronze Ceiling Fan (1) 75W Oiled Bronze blades, accessed Mar. 2, 2016.

http://www.lowes.com/pd_459540-79-59039_0__?k_clickID=1b862be8-cceb-4c5b-91db-fabda0a026c7&store_code?1517&productId=50057405&selectedLocalStorageBeanArray=%5Bcom.lowes.commerce.storelocator.beans.LocatorStoreBean%4016bc%5D&storeNumber=1517&kpid=50057405&cm_mmc=SCE_PLA--FashionFixtures--CeilingFans--50057405%3AHunter&CAWELAID=&CAWELAID=320011480001472458#img, Item Specification for the Hunter Windmere 54-in Brushed Nickel Downrod Mount Ceiling Fan with Light Kit and Remote, accessed Mar. 2, 2016.

<http://www.kingoffans.com/#/products/ceilingFans>, Item Specification for the King of Fans Cabrerra, Model #61375, accessed Mar. 2, 2016.

<http://ceilingfans.emerson.com/shop/en/fan/fans-s-emerson-fans/fans-s-contemporary/highpointe-fan-p-cf205>, Item specification for the Emerson Highpointe, Model #CF205GES, accessed Mar. 2, 2016.

<http://www.kichler.com/products/product/52-inch-leeds-fan-obb-300427obb.aspx>, Item Specification for the Kichler Leeds Coolection 52 Inch Leeds Fan OBB, accessed Mar. 2, 2016.

<http://ceilingfans.emerson.com/shop/en/fans/fans-s-emerson-fans/fans-s-transitional/portland-eco-fan-p-cf965>, Item Specification for The Emerson Portland Eco Model #CF965BS, accessed Mar. 2, 2016.

* cited by examiner

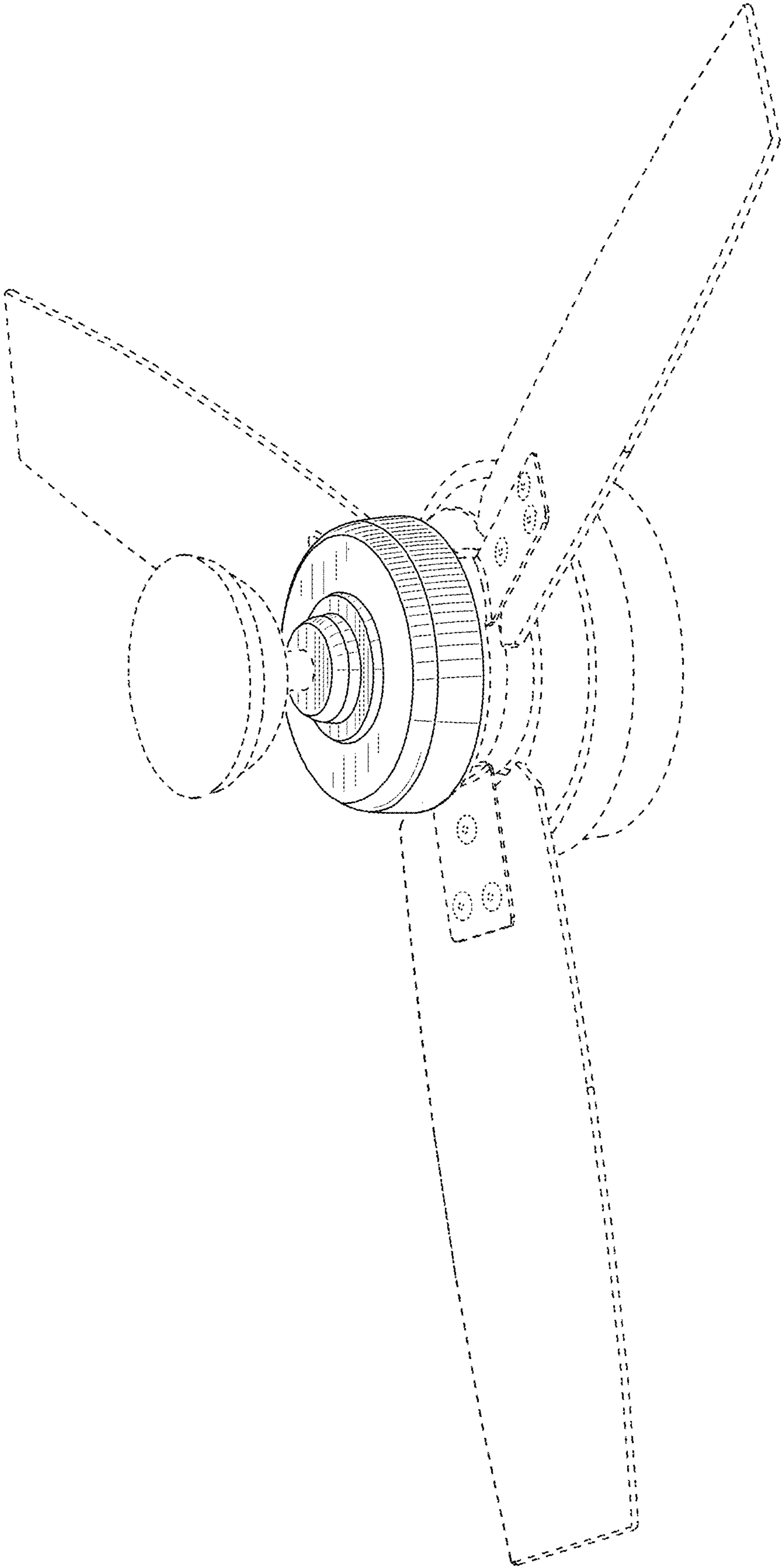


FIG. 1

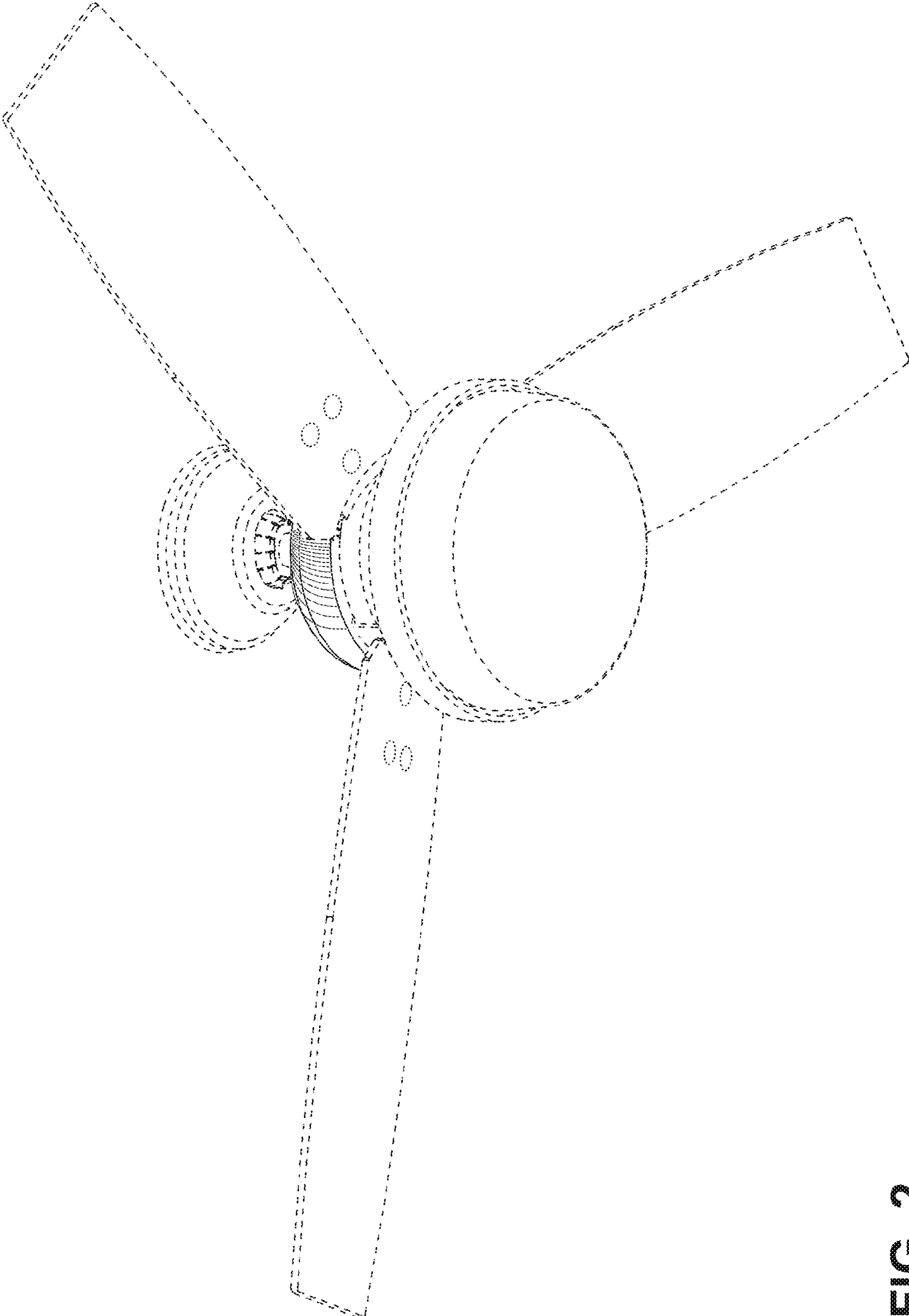


FIG. 2

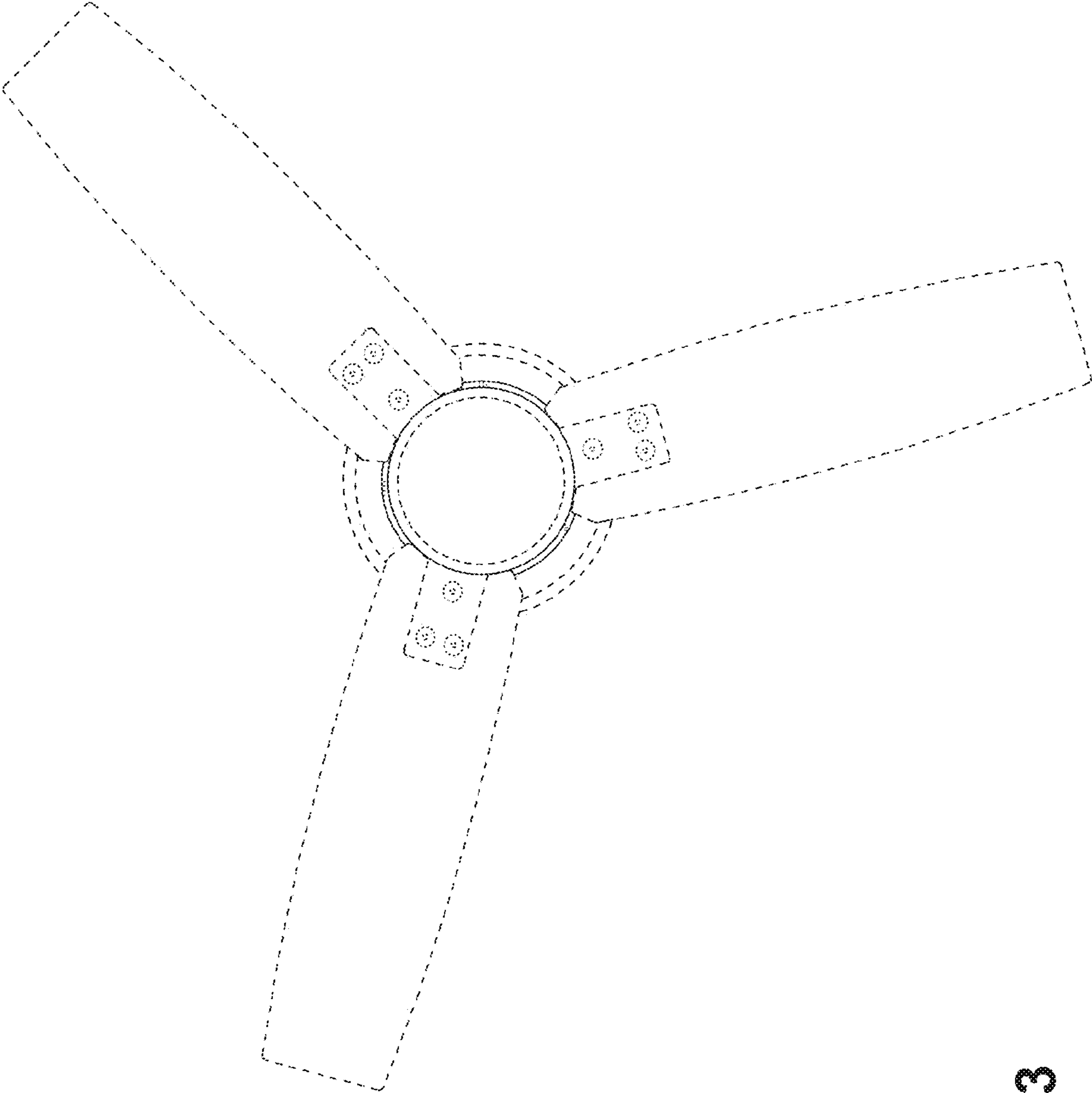


FIG. 3

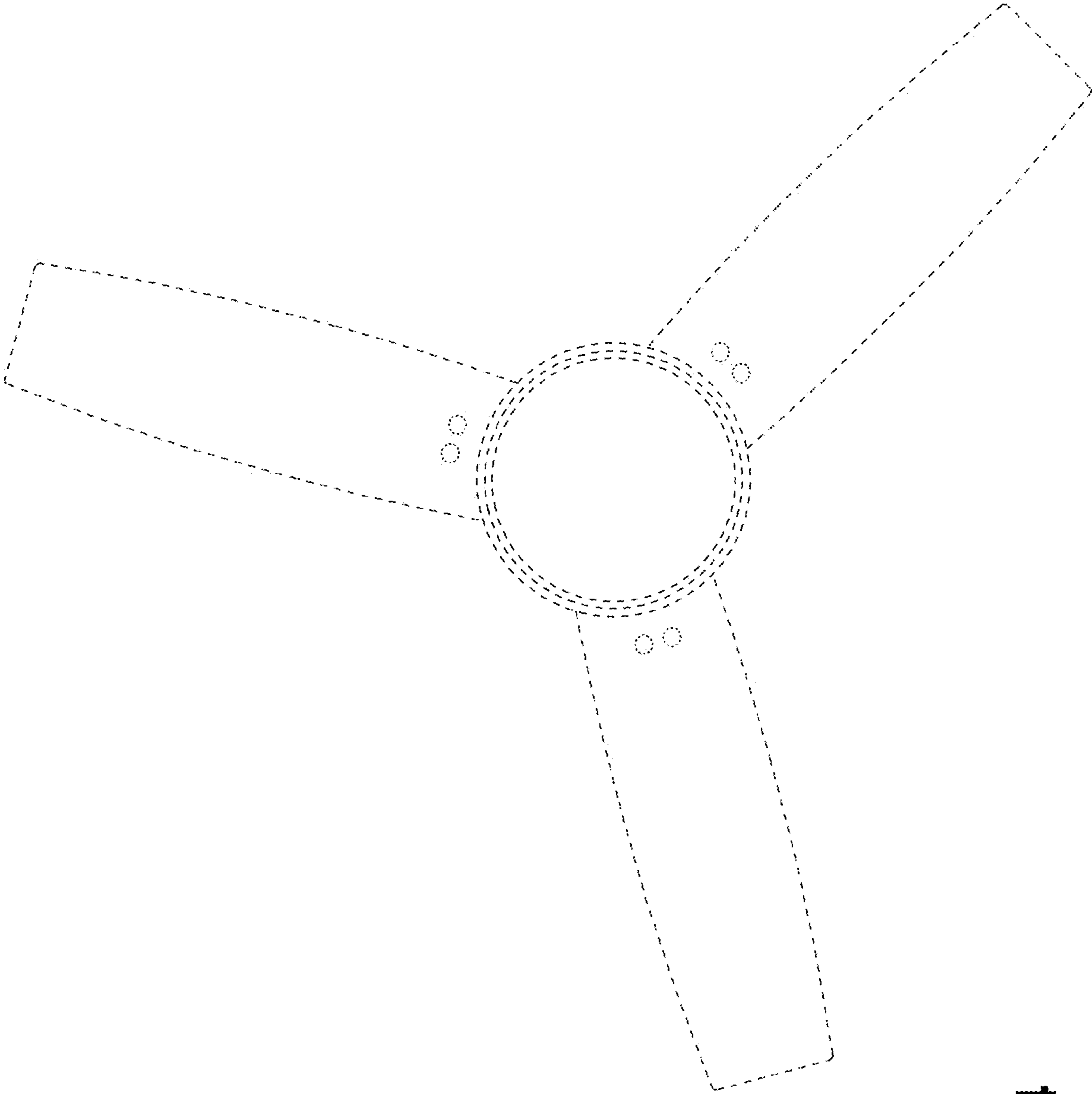


FIG. 4

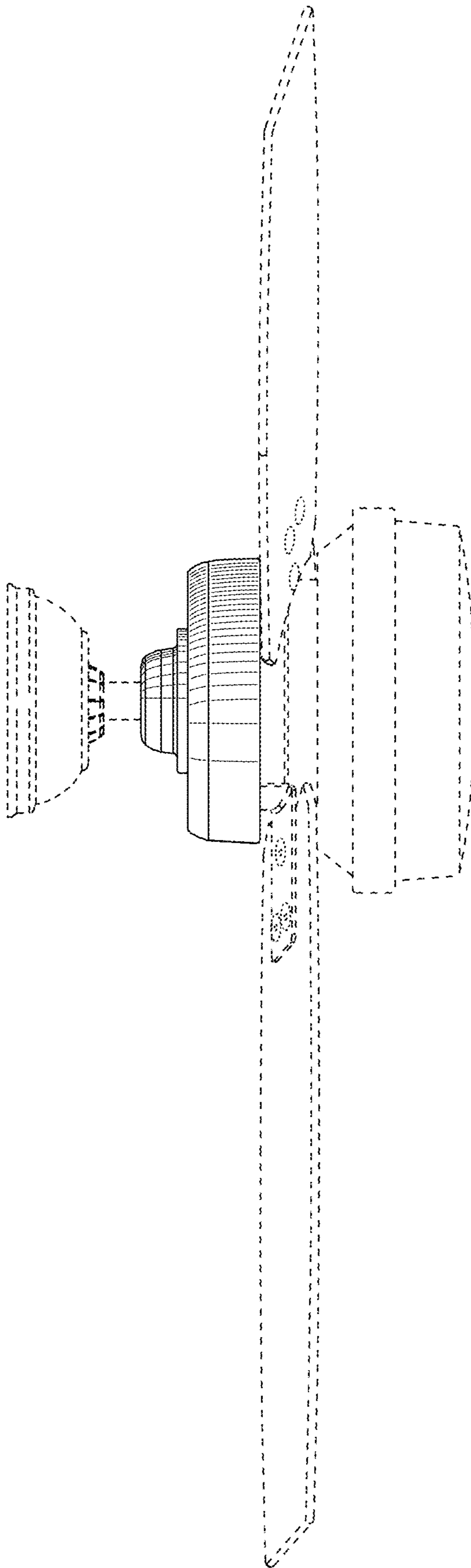


FIG. 5