



US00D917683S

(12) **United States Design Patent** (10) **Patent No.:** **US D917,683 S**
Xie (45) **Date of Patent:** **** Apr. 27, 2021**

(54) **DEHUMIDIFIER**

(71) Applicant: **SHENZHEN YONGJING INDUSTRIAL CO., LTD.**, Shenzhen (CN)

(72) Inventor: **Jianping Xie**, Zhuzhou (CN)

(73) Assignee: **SHENZHEN YONGJING INDUSTRIAL CO., LTD.**, Shenzhen (CN)

(**) Term: **15 Years**

(21) Appl. No.: **29/760,504**

(22) Filed: **Dec. 2, 2020**

(51) **LOC (13) Cl.** **23-04**

(52) **U.S. Cl.**
USPC **D23/359**

(58) **Field of Classification Search**
USPC D23/355–366, 352, 369, 332, 333, 335, D23/336, 342, 351; 422/120, 122; 55/356, 473, 504; 96/97; 261/DIG. 17, 261/DIG. 65, DIG. 88, DIG. 31
CPC .. A61L 9/16; A61L 9/22; B01D 47/00; B01D 47/027; B01D 2221/02; B01D 2259/4508; B03C 3/155; B03C 3/368; F24F 3/16; F24F 13/20; F24F 13/28
See application file for complete search history.

(56) **References Cited**

U.S. PATENT DOCUMENTS

D573,241 S * 7/2008 Chiu D23/359
D749,202 S * 2/2016 Satou D23/364

D755,942 S * 5/2016 Kim D23/364
D791,297 S * 7/2017 Ljungstrom D23/364
9,873,127 B2 * 1/2018 Kim B03C 3/12
D844,766 S * 4/2019 Miao D23/364
D852,344 S * 6/2019 Hua D23/364
D862,673 S * 10/2019 Tang D23/364
D865,148 S * 10/2019 Yoon D23/364
D877,875 S * 3/2020 Shin D23/364
D878,530 S * 3/2020 Pan D23/364
D886,271 S * 6/2020 Lu et al.
D893,009 S * 8/2020 Choi D23/364
D899,571 S * 10/2020 Li
D905,840 S * 12/2020 Cao D23/364

* cited by examiner

Primary Examiner — David G Muller

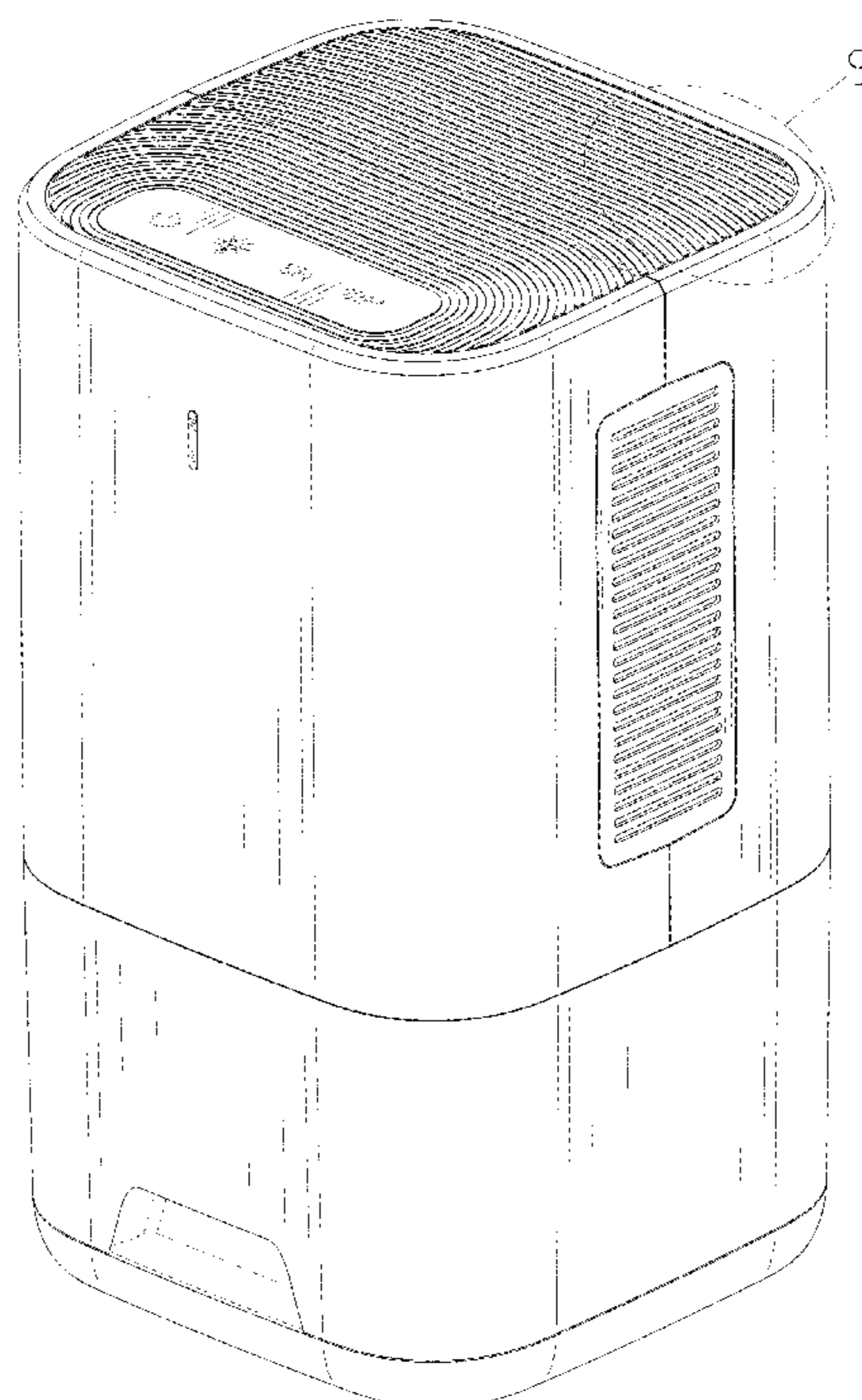
(57) **CLAIM**

The ornamental design for a dehumidifier, as shown and described.

DESCRIPTION

FIG. 1 is a perspective view of a dehumidifier showing my new design;
FIG. 2 is another perspective view thereof;
FIG. 3 is a front elevational view thereof;
FIG. 4 is a rear elevational view thereof;
FIG. 5 is a left side elevational view thereof;
FIG. 6 is a right side elevational view thereof;
FIG. 7 is a top plan view thereof;
FIG. 8 is a bottom plan view thereof; and,
FIG. 9 is an enlarged view of portion 9 shown in FIG. 1.
The broken lines in the drawings depict portions of the dehumidifier that form no part of the claimed design.

1 Claim, 9 Drawing Sheets



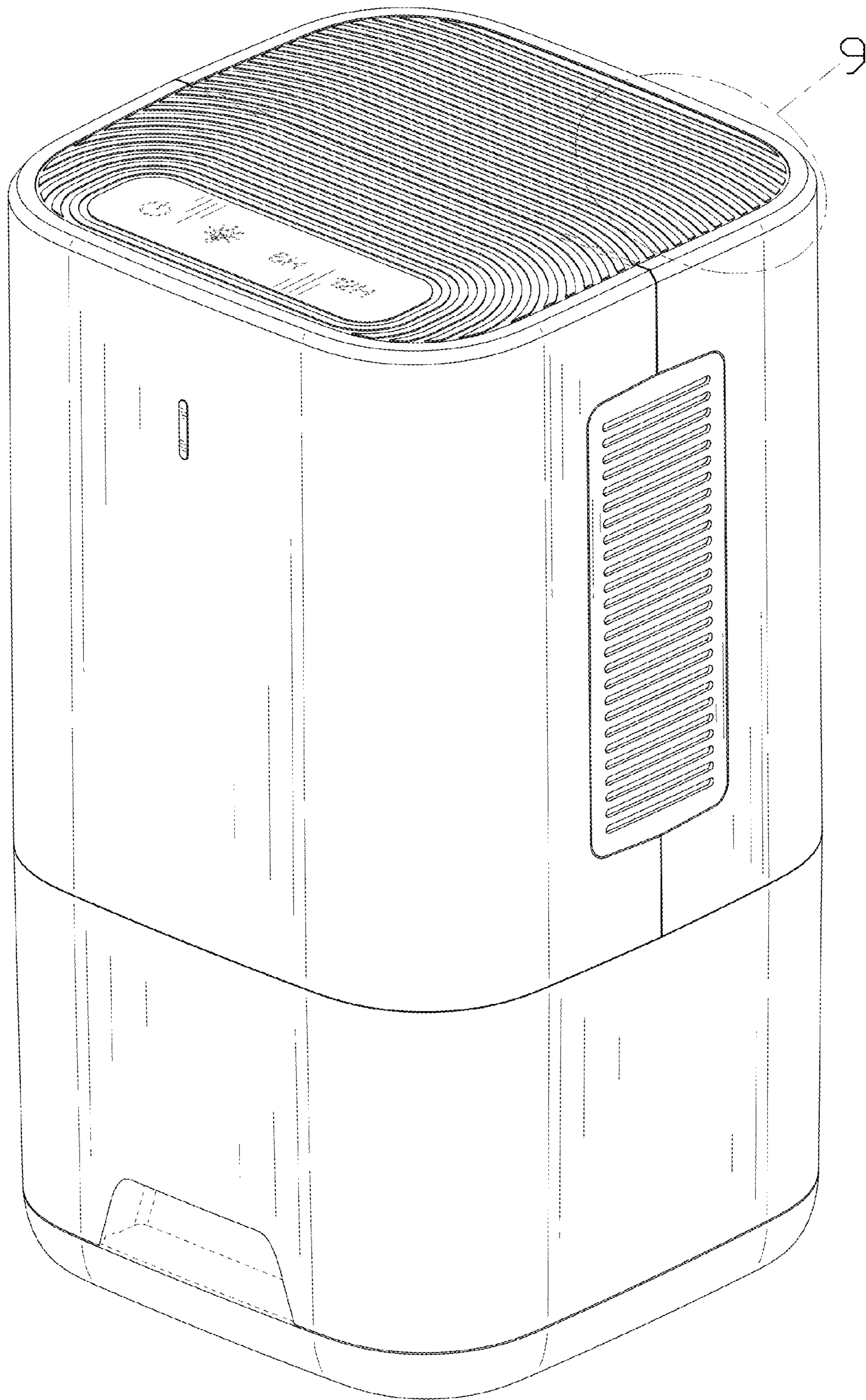


FIG. 1

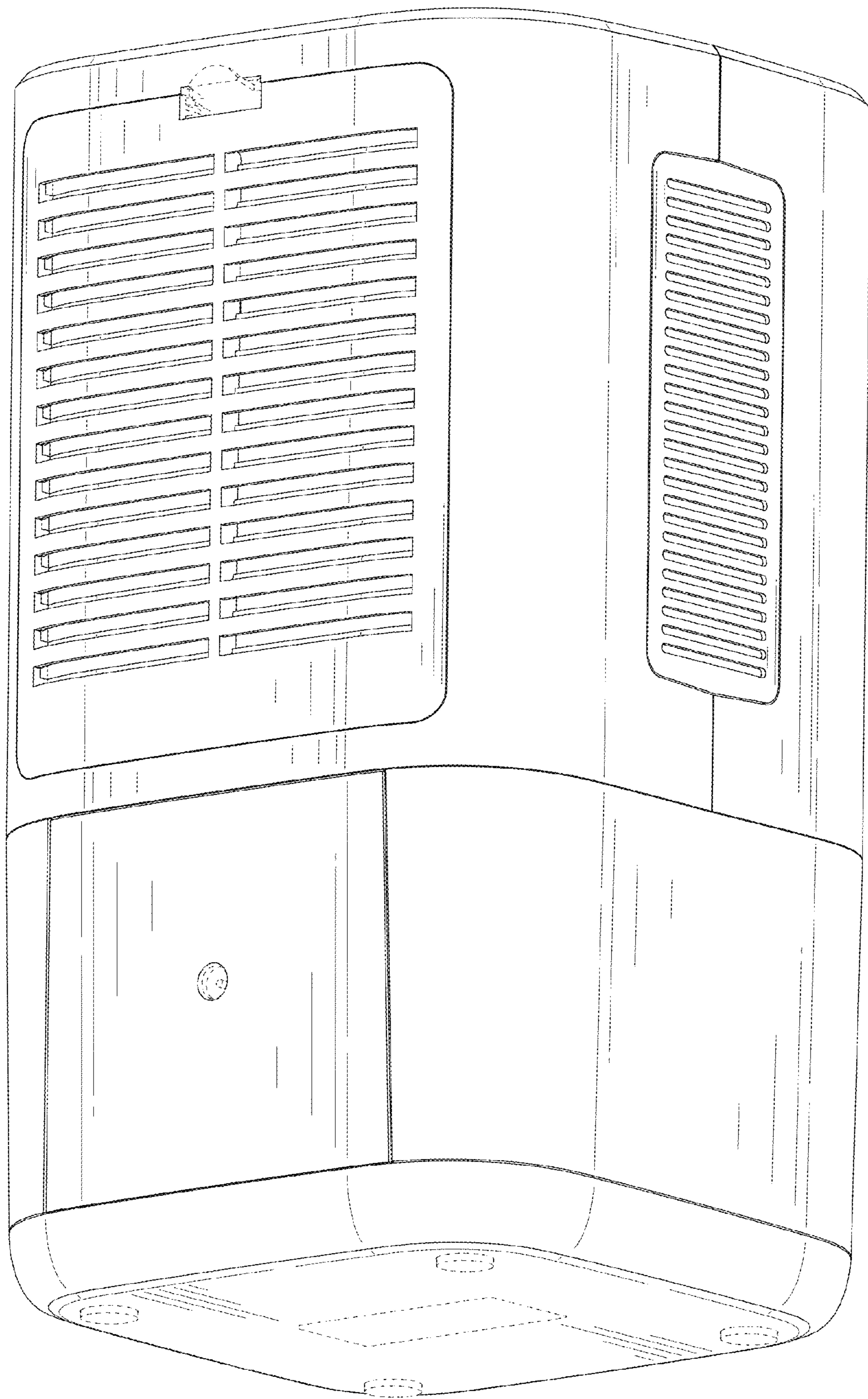


FIG. 2

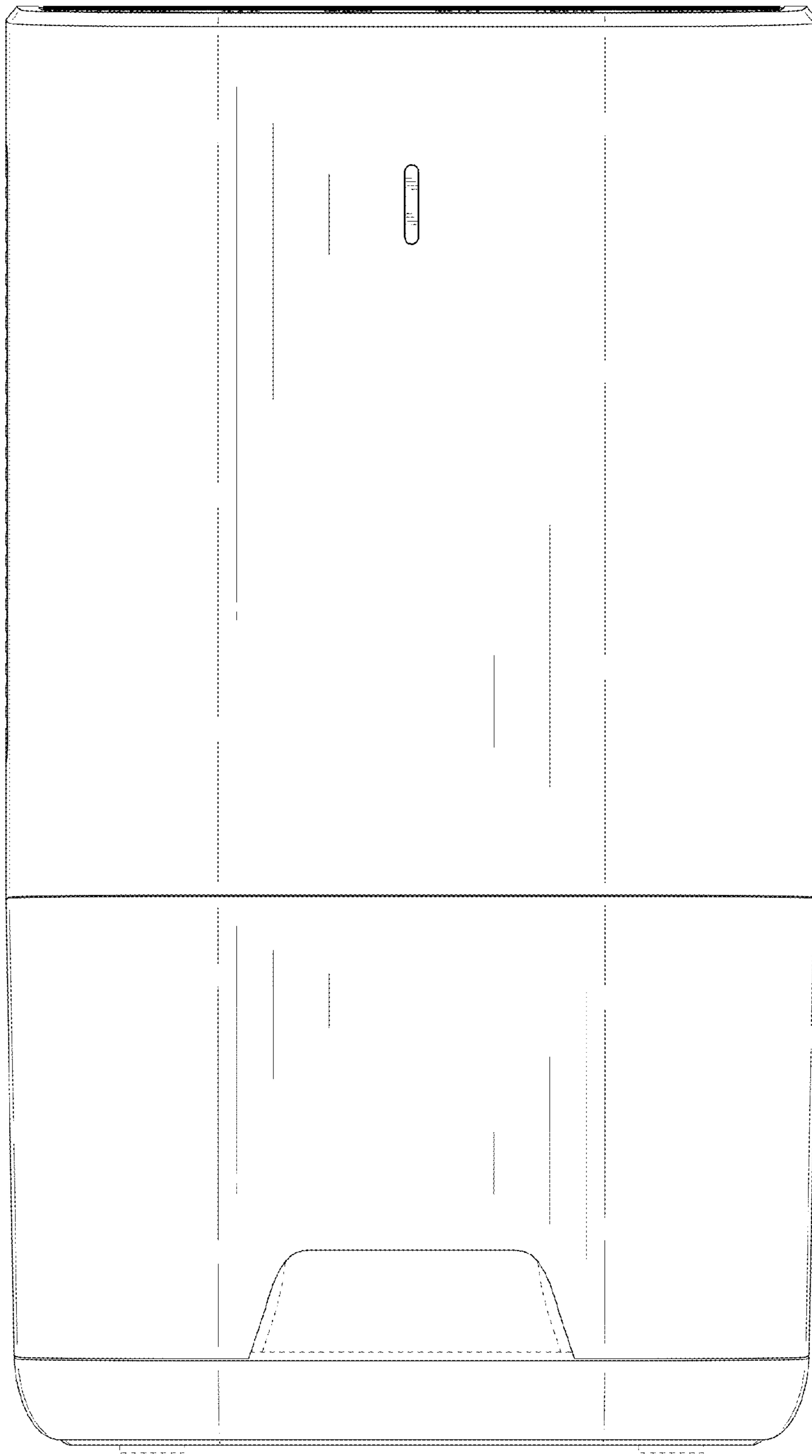


FIG. 3

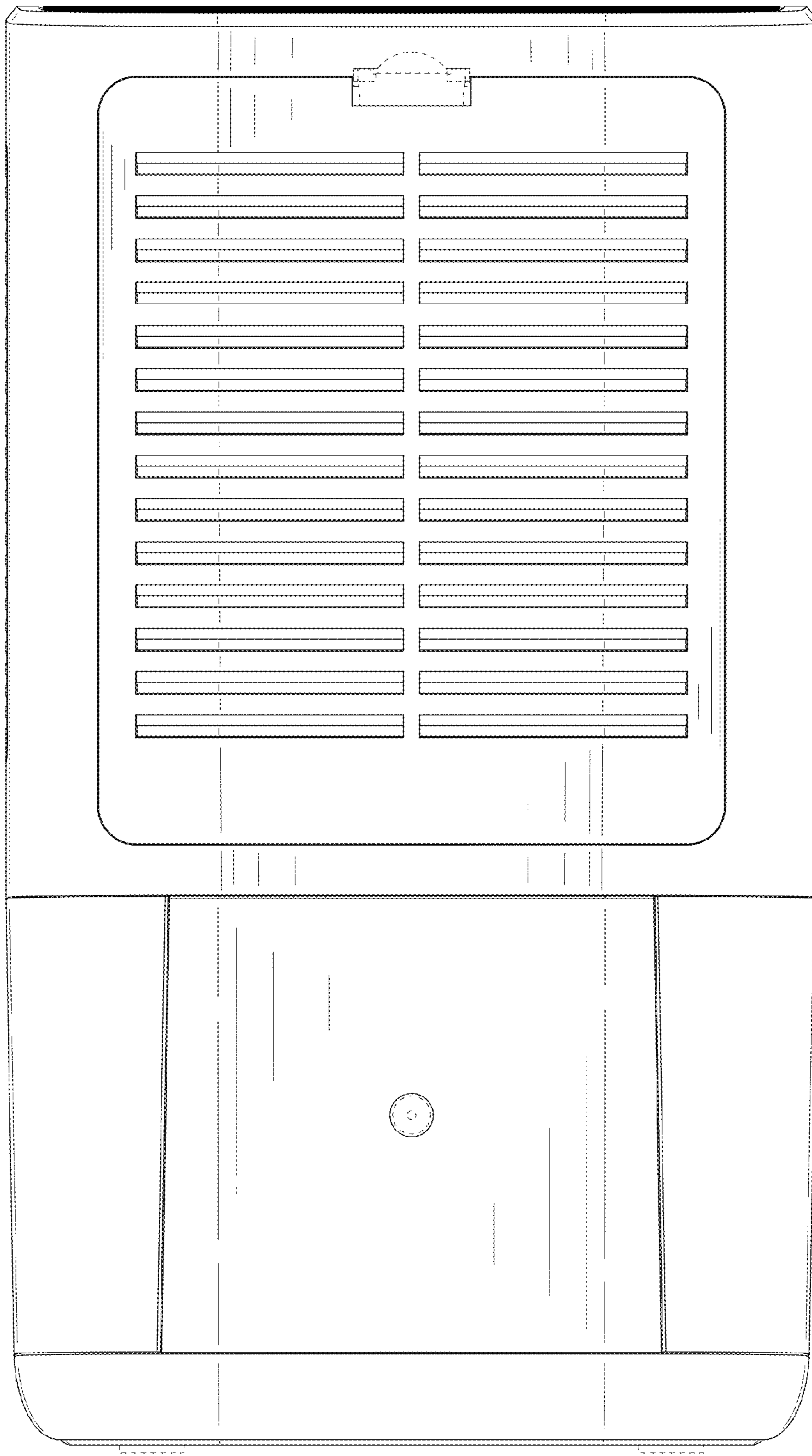


FIG. 4

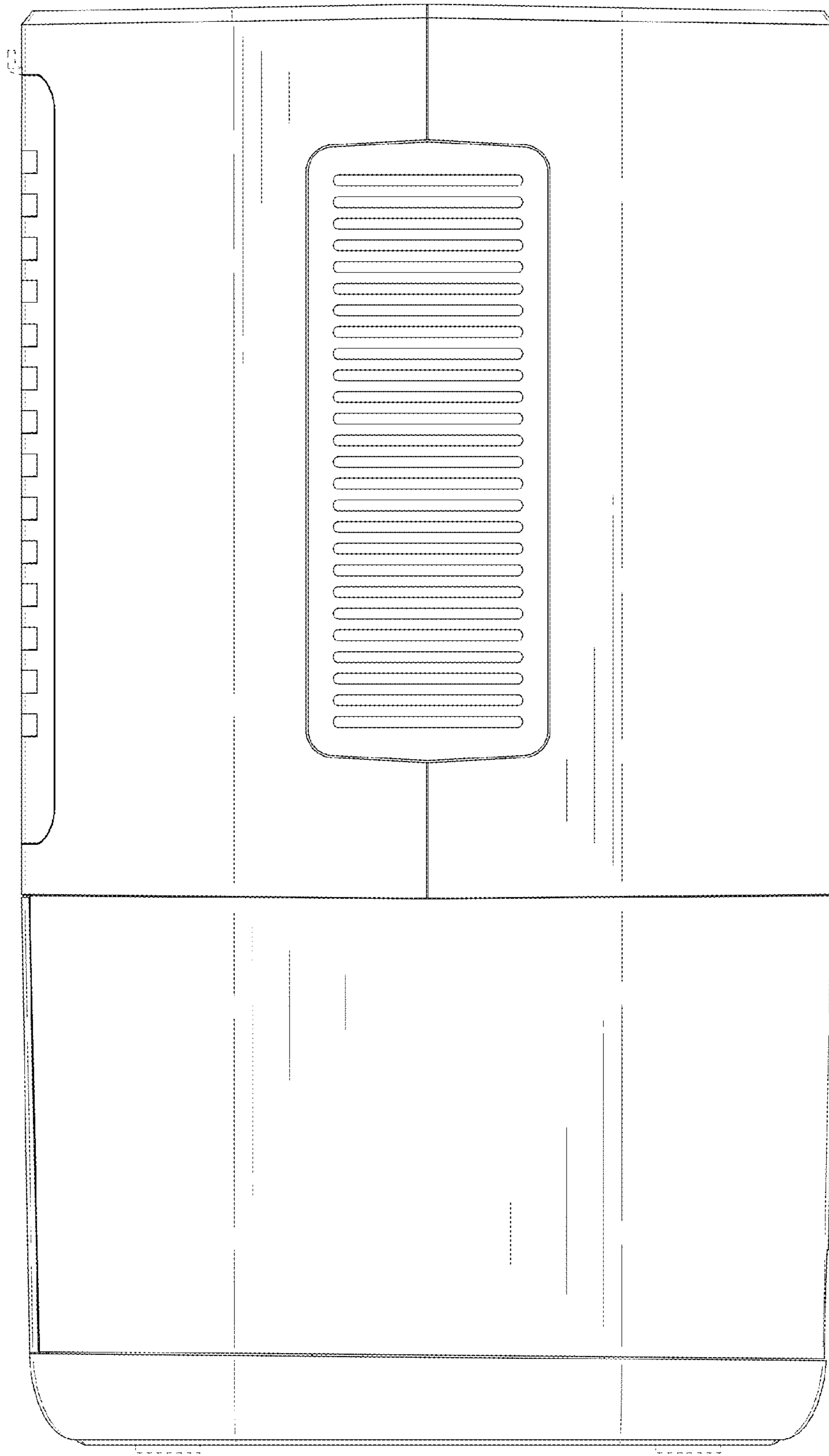


FIG. 5

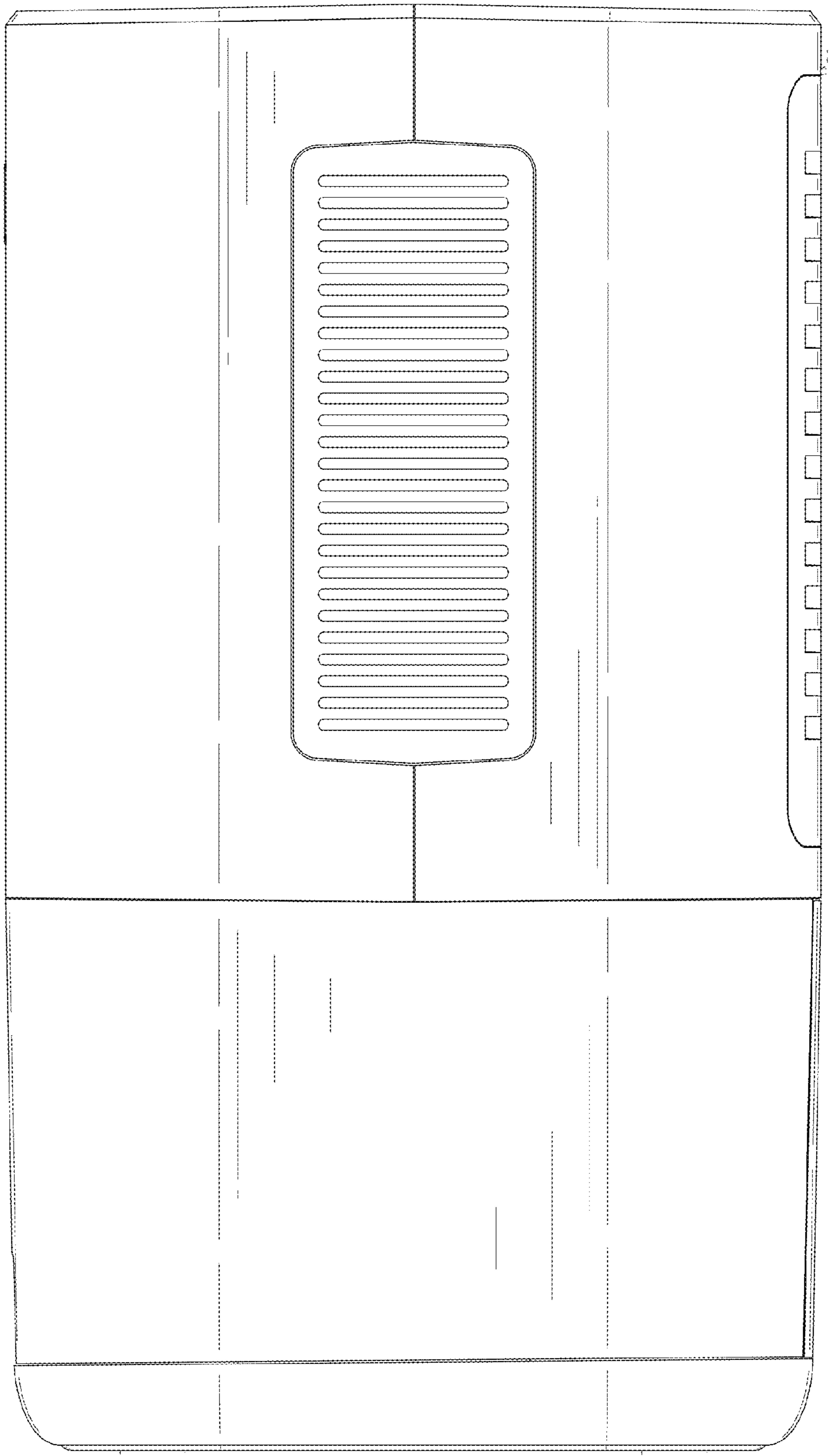


FIG. 6

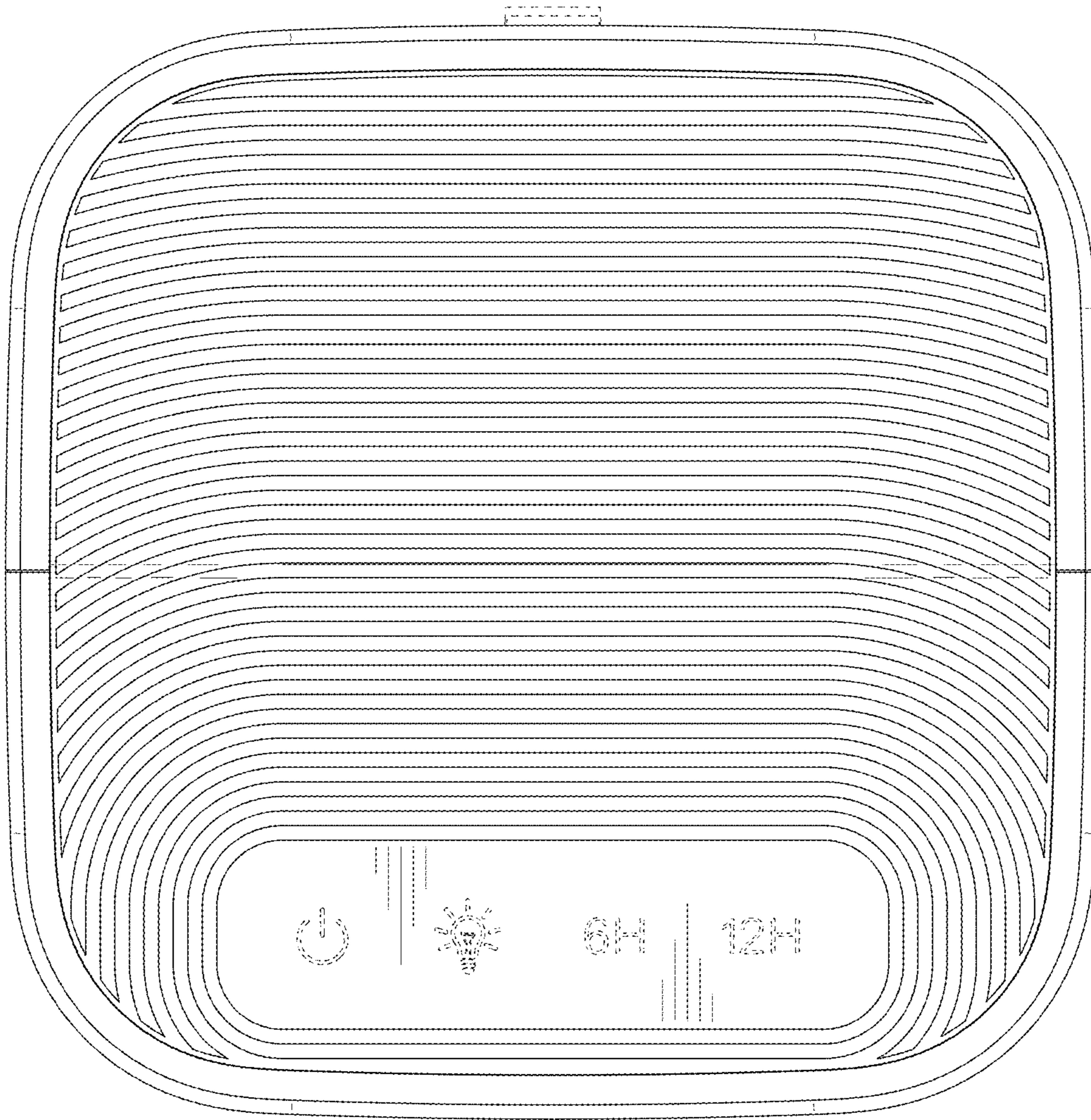


FIG. 7

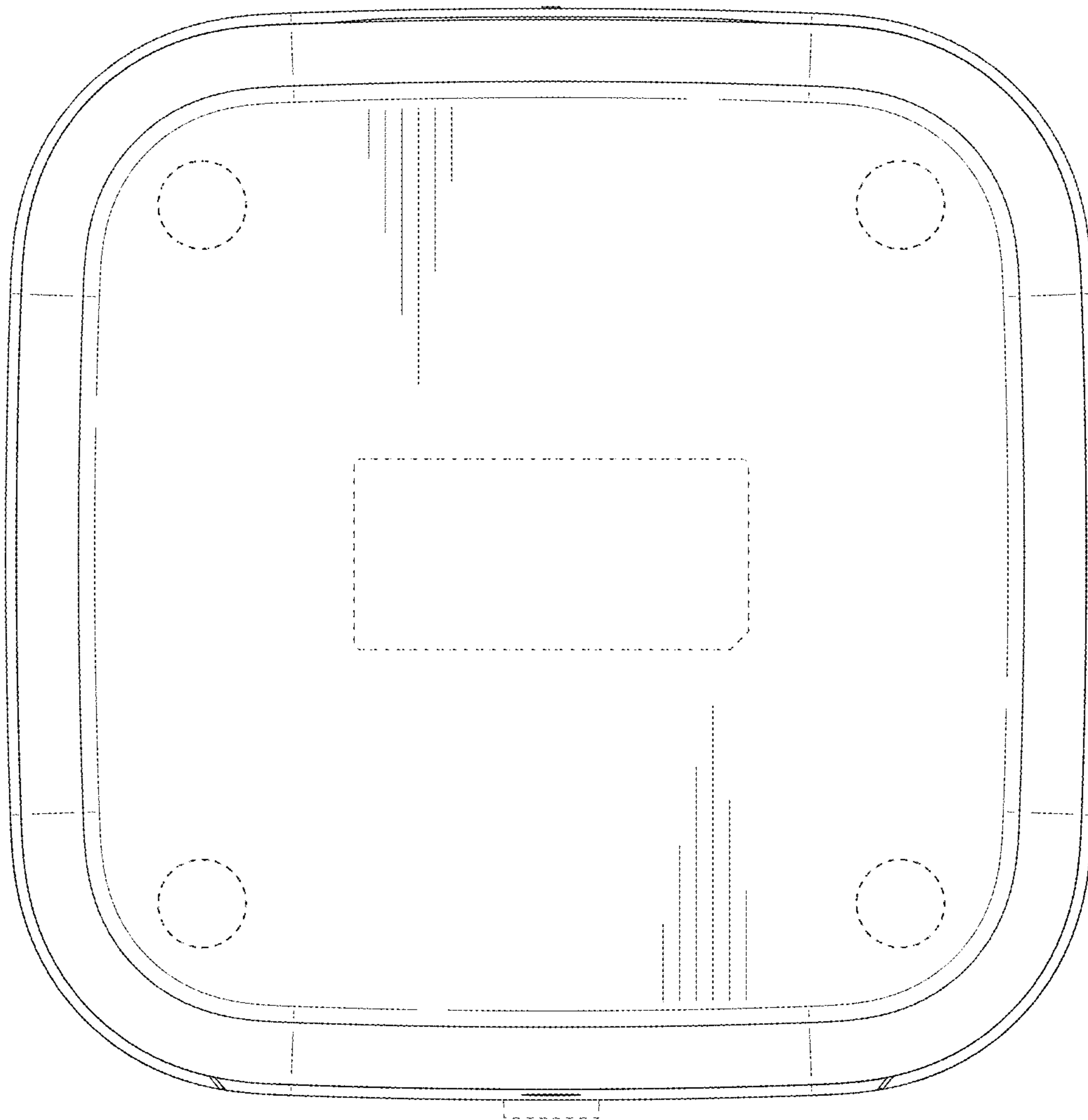


FIG. 8

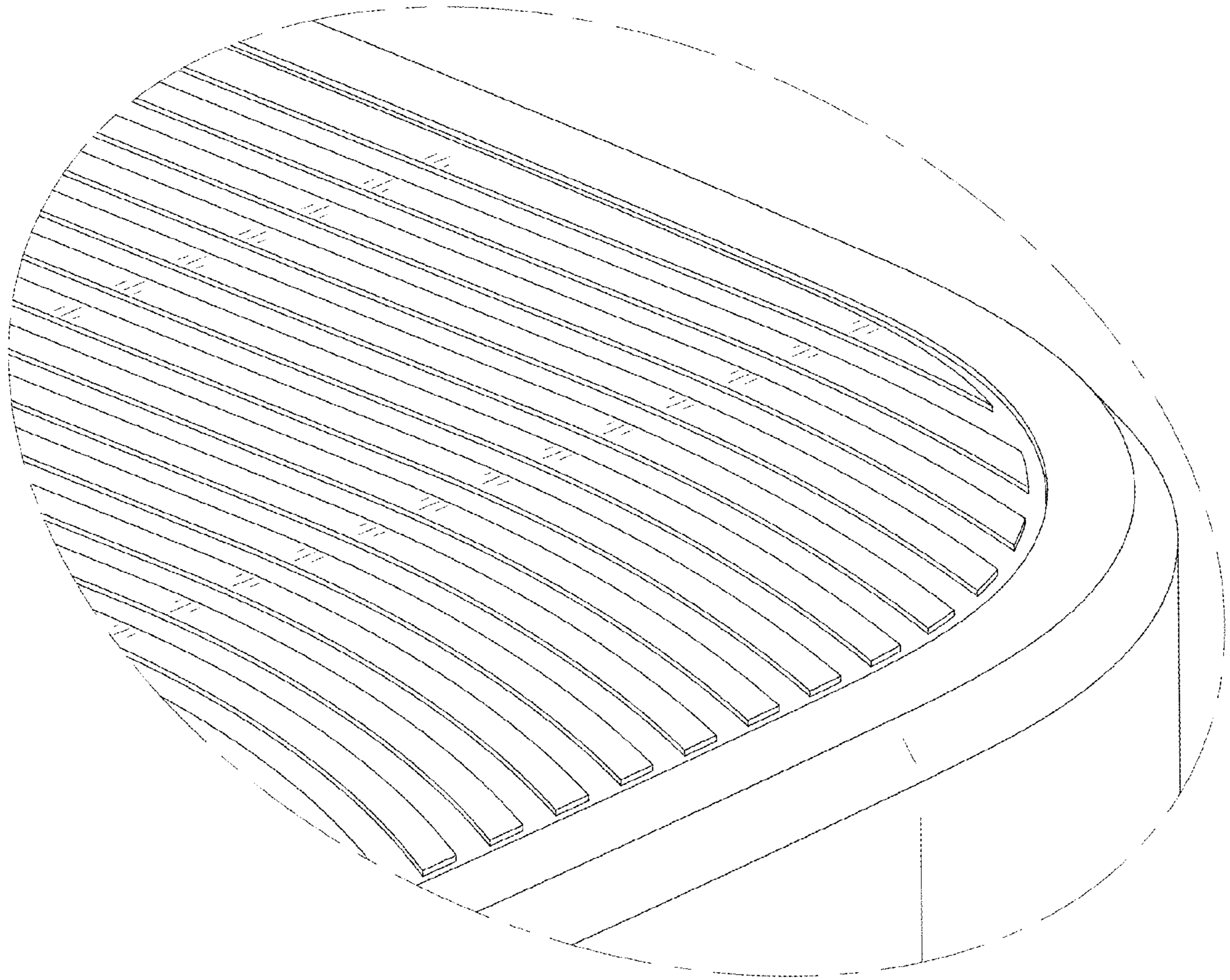


FIG. 9