



US00D917682S

(12) **United States Design Patent** (10) **Patent No.:** **US D917,682 S**
Stoltzfus (45) **Date of Patent:** **** Apr. 27, 2021**

(54) **FIRE PIT GRILL WITH HANDLE**
(71) Applicant: **Breco, LLC**, Kinzers, PA (US)
(72) Inventor: **Amos A. Stoltzfus**, Gordonville, PA (US)

D204,348 S 4/1966 Shilling
3,458,895 A * 8/1969 Miller B29D 30/66
29/278
3,765,397 A 10/1973 Henderson
3,868,943 A 3/1975 Hottenroth et al.
3,982,522 A 9/1976 Hottenroth et al.
(Continued)

(73) Assignee: **Breco, LLC**, Kinzers, PA (US)
(**) Term: **15 Years**

FOREIGN PATENT DOCUMENTS

DE 10236945 A1 3/2004
WO 2010029567 A2 3/2010

(21) Appl. No.: **29/704,189**
(22) Filed: **Sep. 3, 2019**

OTHER PUBLICATIONS

Breco, LLC, Double Flame 17" Grill & Post, downloaded on Sep. 4, 2019 from <https://breco.co/collections/double-flame/products/double-flame-17-grill-post>.
(Continued)

Related U.S. Application Data

(63) Continuation of application No. 29/702,198, filed on Aug. 16, 2019.
(51) **LOC (13) Cl.** **23-03**
(52) **U.S. Cl.**
USPC **D23/347**
(58) **Field of Classification Search**
USPC D23/332, 314, 343, 348, 350, 346, 347, D23/341; D7/332-337, 402-405, 352, D7/409, 213; D8/300, 303, 307, 310, D8/311, 315, 316, 321; D3/12
CPC F24C 1/16; F24C 5/00; F24C 3/14; A47J 33/00; A47J 37/0763; A47J 37/07; F24B 1/18; F24B 1/182; F24B 1/1808; F24B 1/181; F24B 1/195; F24B 1/191
See application file for complete search history.

Primary Examiner — Ania Aman
(74) *Attorney, Agent, or Firm* — Zollinger & Burleson Ltd.

(57) **CLAIM**

The ornamental design for a fire pit grill with handle, as shown and described.

DESCRIPTION

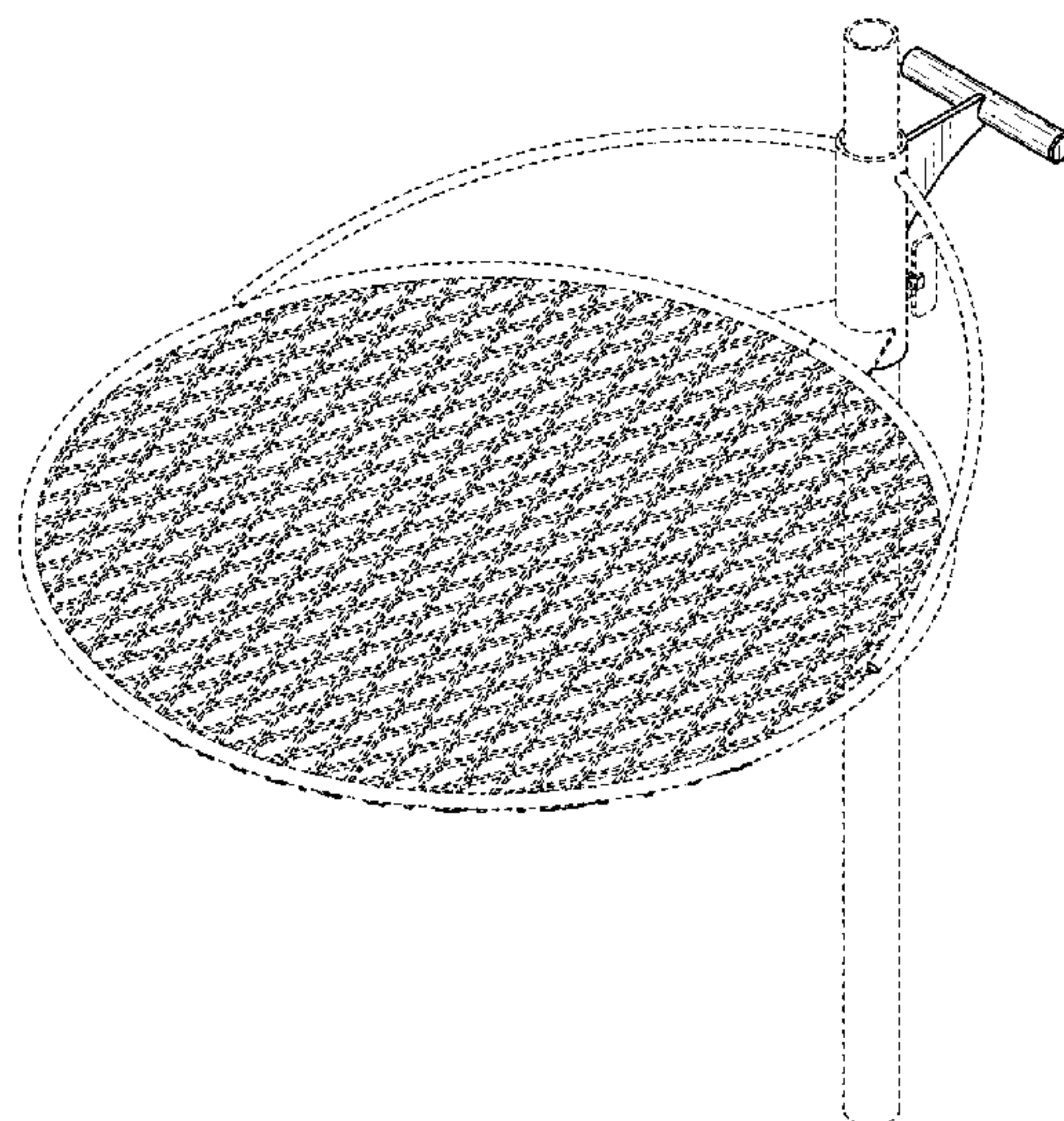
FIG. 1 is an upper perspective view of a fire pit grill with handle showing my new design.
FIG. 2 is a lower perspective view thereof.
FIG. 3 is a front elevation view thereof.
FIG. 4 is a left side elevation view thereof.
FIG. 5 is a right side elevation view thereof.
FIG. 6 is a rear elevation view thereof.
FIG. 7 is a top plan view thereof; and,
FIG. 8 is a bottom plan view thereof.
The broken lines shown in the drawings are for the purpose of illustrating portions of the article and form no part of the claimed design.

(56) **References Cited**

U.S. PATENT DOCUMENTS

1,996,349 A 4/1935 Ross
2,210,720 A 8/1940 Johnson
2,419,379 A 4/1947 Tindell
2,604,884 A * 7/1952 Walker A47J 37/0772
126/30
D186,487 S * 10/1959 Brooks D7/336
D191,186 S * 8/1961 Maki D7/336
3,220,400 A 11/1965 Yager

1 Claim, 8 Drawing Sheets



(56)

References Cited

U.S. PATENT DOCUMENTS

D263,918 S 4/1982 Boyd
 D264,541 S 5/1982 Bruveris
 4,471,751 A 9/1984 Hottenroth et al.
 4,548,193 A 10/1985 Marogil
 4,667,651 A 5/1987 Groeneweg
 4,732,138 A 3/1988 Vos
 4,762,114 A 8/1988 Blankemeyer
 4,813,308 A * 3/1989 Petrus B25B 13/481
 81/57.29
 D315,846 S 4/1991 Hatzenbeller
 5,094,223 A 3/1992 Gonzalez
 D327,602 S * 7/1992 Walker D7/335
 5,133,266 A 7/1992 Cullen
 D335,811 S * 5/1993 Bengtson D23/250
 D342,184 S * 12/1993 Sanchez D7/335
 D344,207 S * 2/1994 Bauman D7/335
 D349,024 S * 7/1994 Doffee D8/14
 D369,939 S * 5/1996 Gibbs D7/332
 5,596,980 A 1/1997 Whalen et al.
 D382,765 S 8/1997 Kellermann
 5,797,386 A 8/1998 Orr
 5,842,463 A 12/1998 Hall
 5,862,742 A * 1/1999 Bjerg A47J 33/00
 126/25 R
 5,873,356 A 2/1999 Vossler et al.
 6,070,571 A * 6/2000 Bradbury A47J 37/0772
 126/25 A
 D440,638 S * 4/2001 Lefroy-Brooks D23/255
 6,298,843 B1 10/2001 Olsen et al.
 6,336,449 B1 1/2002 Drisdelle et al.
 6,354,288 B1 3/2002 McDonald
 D457,029 S * 5/2002 Wickizer D7/332
 6,386,192 B1 * 5/2002 Weber A47J 33/00
 126/25 A
 6,578,568 B1 * 6/2003 Dufort F24B 1/205
 126/25 A
 6,845,705 B1 * 1/2005 Chen A47J 37/0704
 126/25 R
 7,007,687 B2 * 3/2006 Lewis A47J 33/00
 126/25 R
 D563,144 S 3/2008 Melzer et al.
 7,383,836 B2 6/2008 Klemming
 D577,946 S * 10/2008 Carroll D7/336
 D582,197 S 12/2008 Parmelee
 D592,443 S * 5/2009 Fraser D7/335
 8,272,601 B2 * 9/2012 Kocher A47J 33/00
 248/121
 D679,791 S 4/2013 Lowsky
 D701,721 S 4/2014 Jan

D715,611 S * 10/2014 Stamm D8/24
 8,893,703 B2 11/2014 DeFoort et al.
 D726,235 S * 4/2015 Nauli D16/136
 D734,975 S 7/2015 Troyer, Jr.
 9,215,950 B2 * 12/2015 Walker A47J 37/0763
 D780,897 S 3/2017 Weng
 D812,957 S * 3/2018 McGuinness D7/334
 10,130,212 B2 * 11/2018 Lopez A47J 37/0704
 10,588,455 B2 * 3/2020 Horne, III A47J 37/0763
 2002/0040644 A1 4/2002 McLemore et al.
 2007/0137634 A1 6/2007 Traeger et al.
 2007/0272229 A1 11/2007 Becker et al.
 2007/0289587 A1 12/2007 Eckes
 2010/0258106 A1 10/2010 Simms, II
 2012/0145139 A1 6/2012 Deeds
 2012/0196232 A1 8/2012 Miller
 2012/0312297 A1 * 12/2012 Walker A47J 37/0763
 126/9 B
 2014/0238378 A1 8/2014 Scott
 2015/0075514 A1 * 3/2015 Kuenzinger A47J 37/0763
 126/25 A
 2015/0136112 A1 * 5/2015 Dyson A47J 37/0704
 126/25 R
 2015/0305561 A1 * 10/2015 Andol A47J 37/0704
 126/25 A
 2016/0029841 A1 * 2/2016 Walker F24B 1/205
 99/445
 2018/0184840 A1 * 7/2018 Maga A47J 33/00

OTHER PUBLICATIONS

Breeo, LLC, Double Flame 19" Smokeless Fire Pit, downloaded on Sep. 4, 2019 from <https://breeo.co/collections/double-flame/products/double-flame-19-fire-pit-stainless>.
 Breeo, LLC, Double Flame 24" Smokeless Fire Pit—Steel, downloaded on Sep. 4, 2019 from <https://breeo.co/collections/double-flame/products/double-flame-24-fire-pit-steel>.
 Breeo, LLC, Double Flame 24" Smokeless Fire Pit—Stainless, downloaded on Sep. 4, 2019 from <https://breeo.co/collections/double-flame/products/double-flame-24-fire-pit-stainless>.
 Breeo, LLC, Double Flame 24" Double Flame 24" Grill & Post, downloaded on Sep. 4, 2019 from <https://breeo.co/collections/double-flame/products/double-flame-24-grill-post>.
 Breeo, LLC, Phoenix, downloaded on Sep. 4, 2019 from <https://breeo.co/collections/phoenix>.
 Jan. 19, 2011 Fire Pit w/ Kettle Winch publication, Beaver Creek Furniture.
 Printed from <https://breeo.co> Aug. 15, 2019; breeo Smokeless Fire Pits, LUXEVE.

* cited by examiner

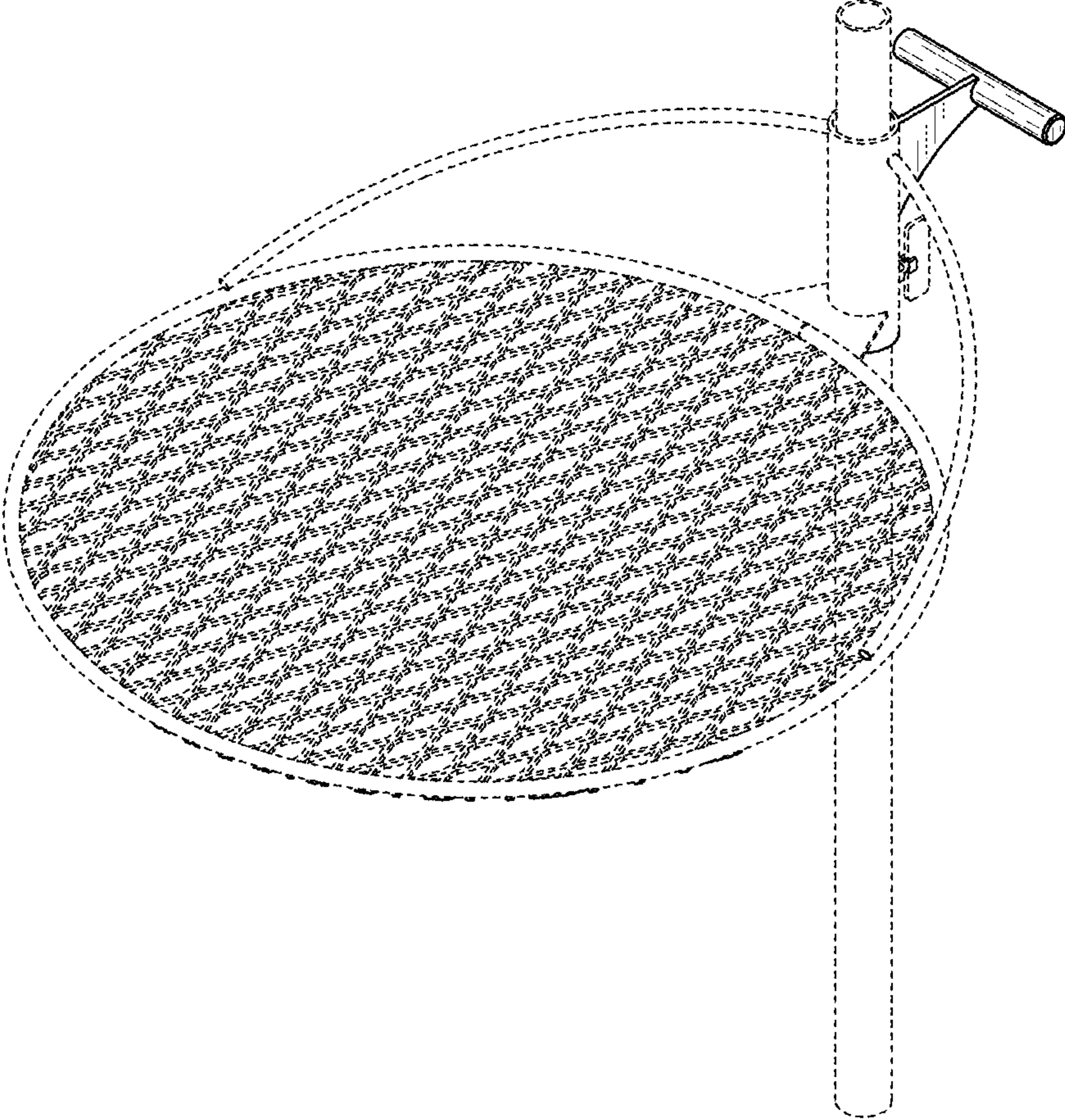


FIG. 1

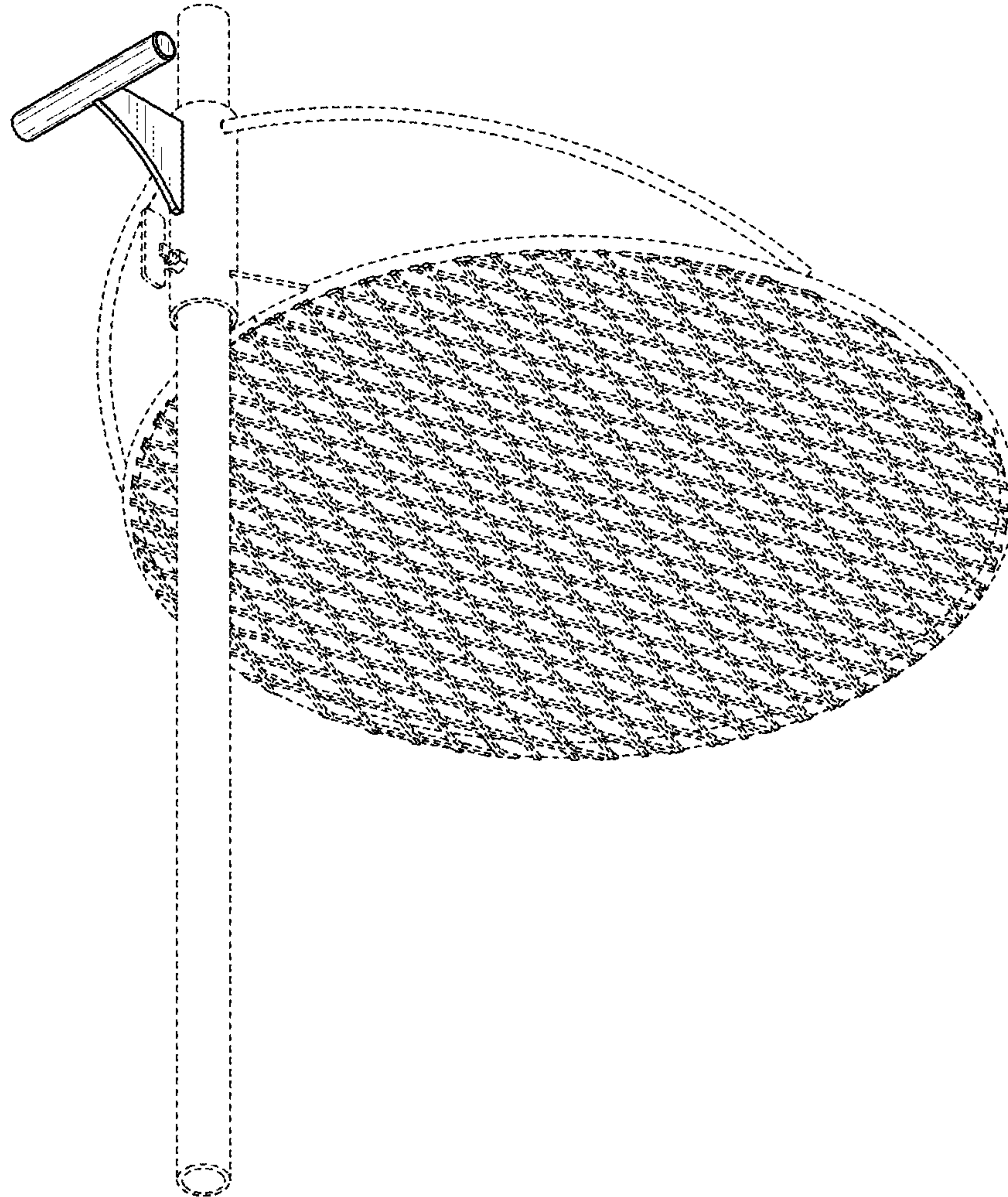


FIG. 2

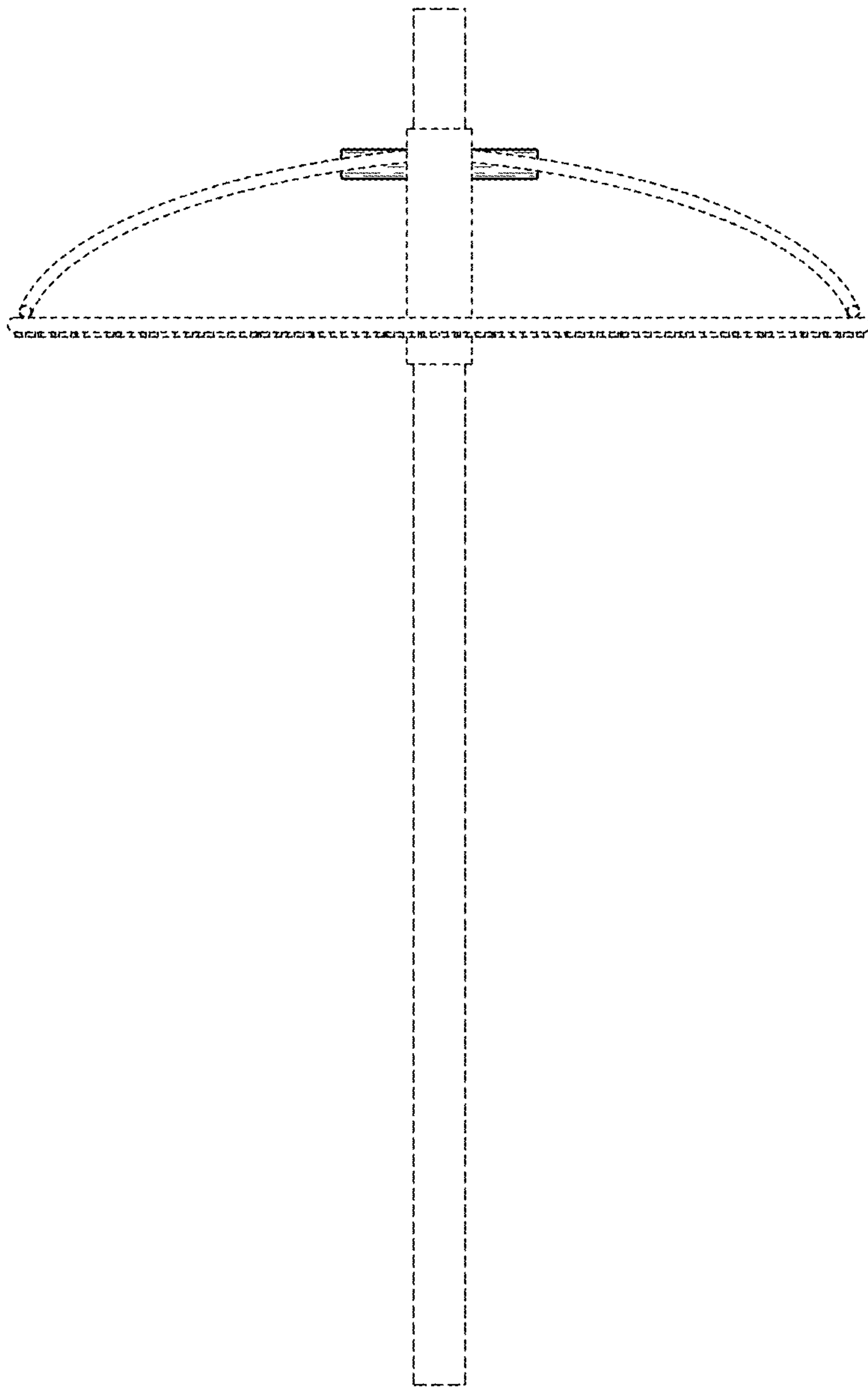


FIG. 3

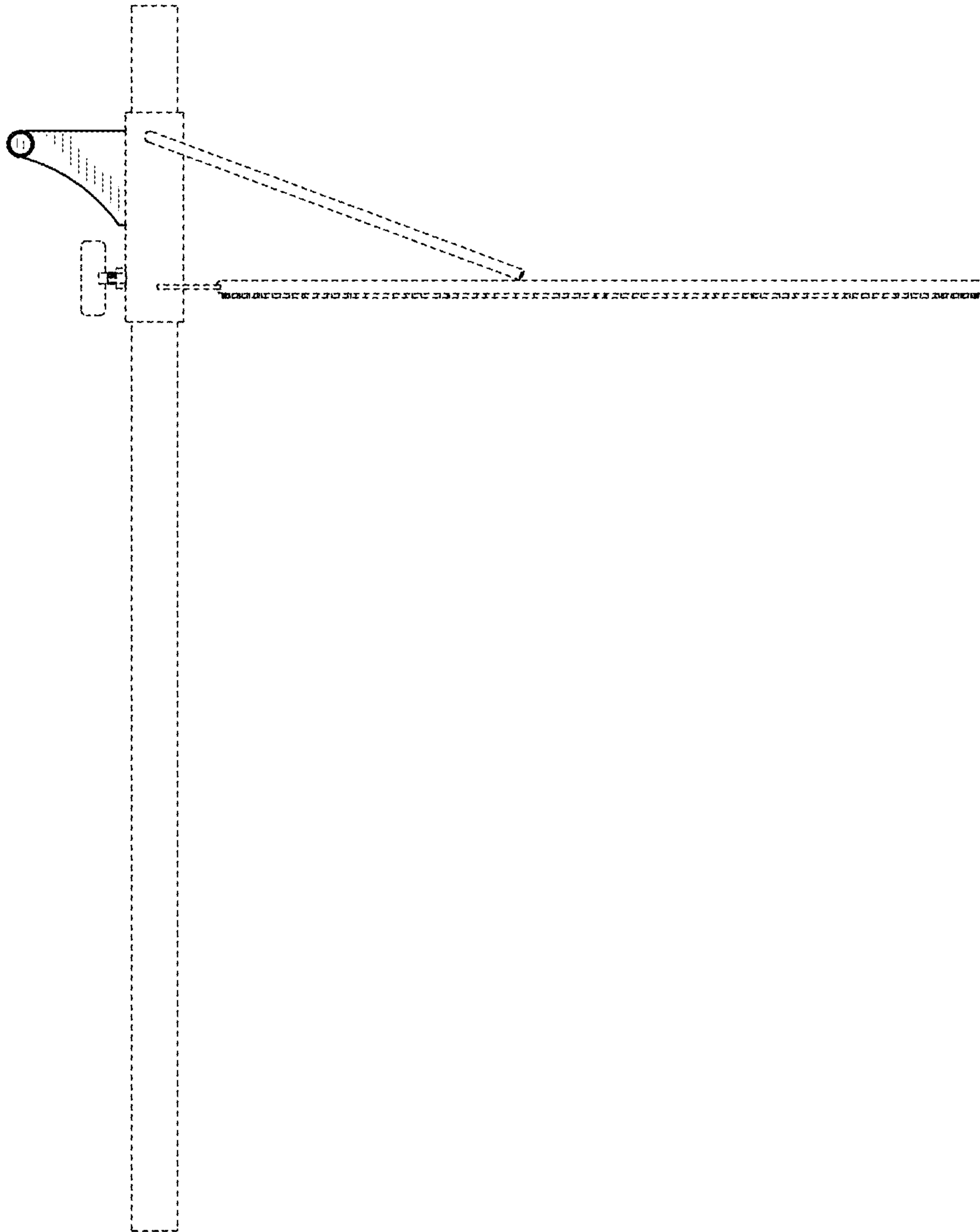


FIG. 4

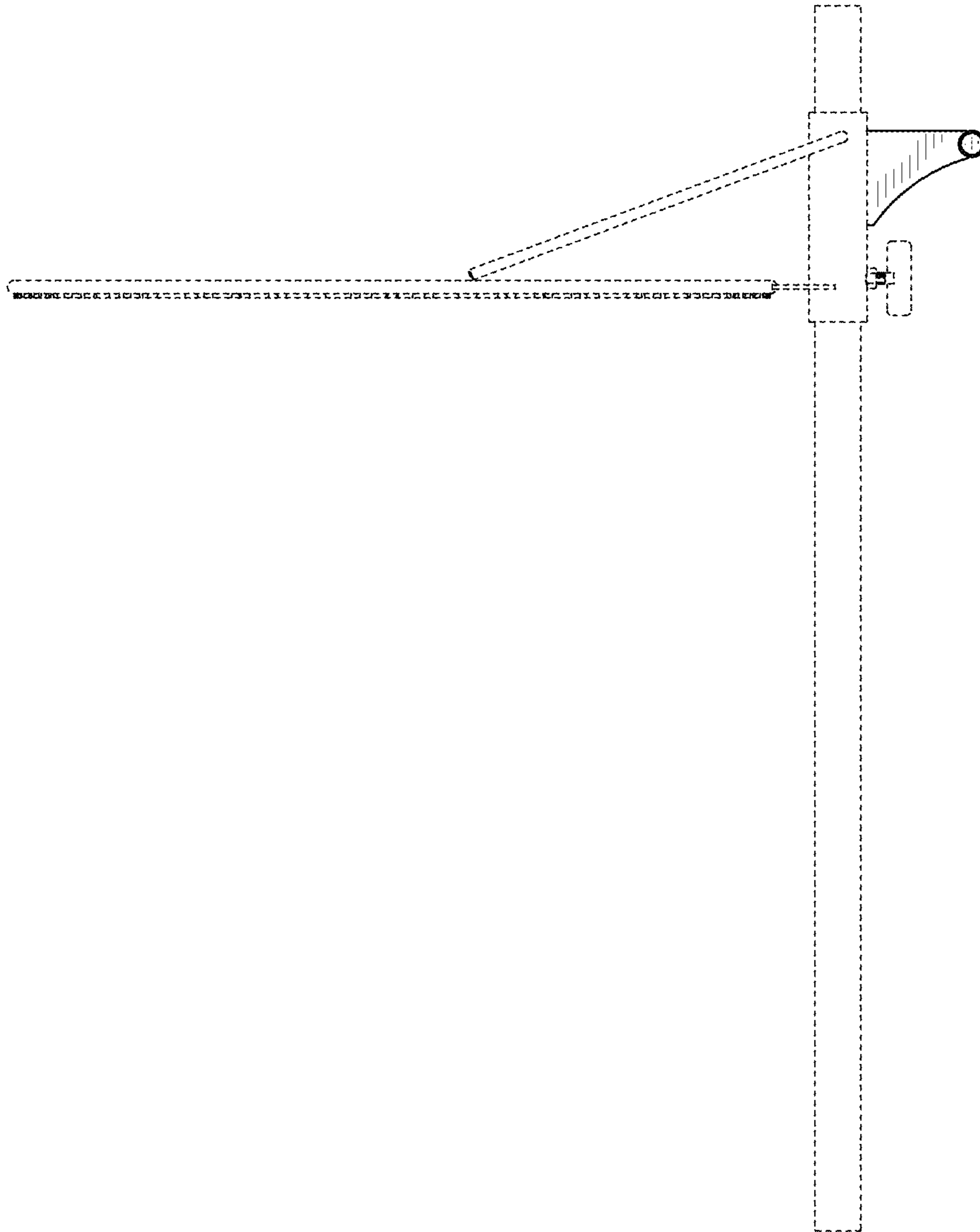


FIG. 5

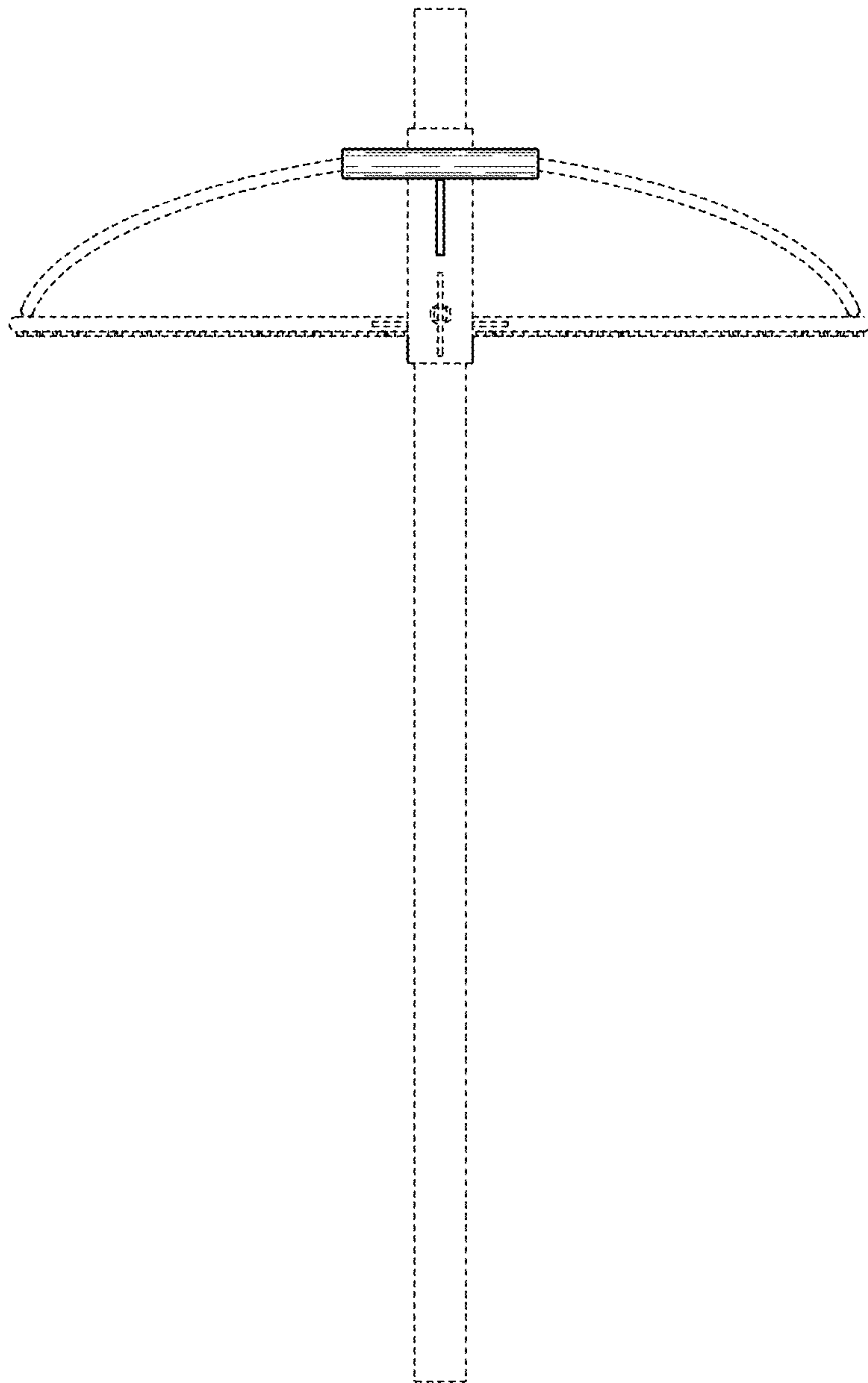


FIG. 6

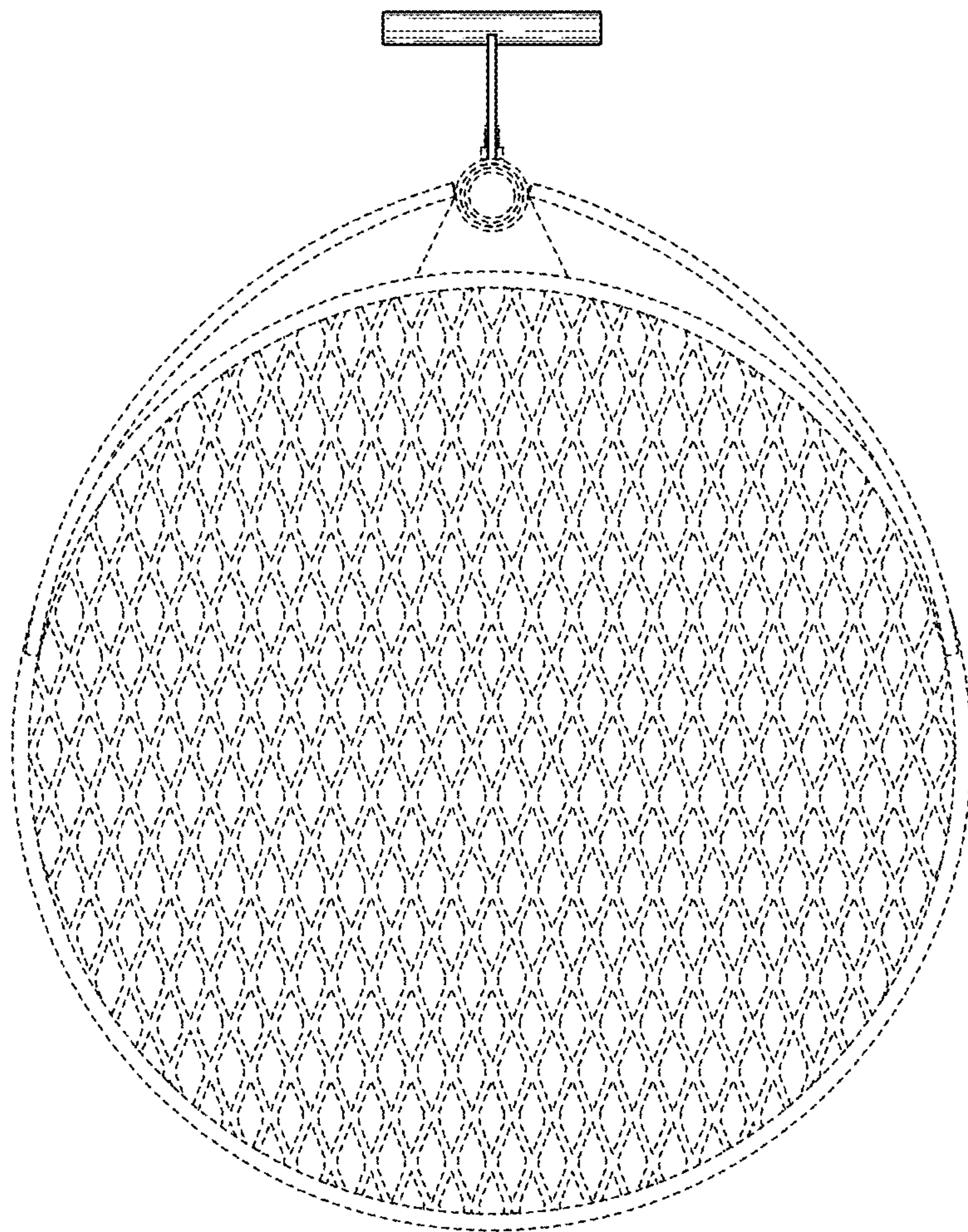


FIG. 7

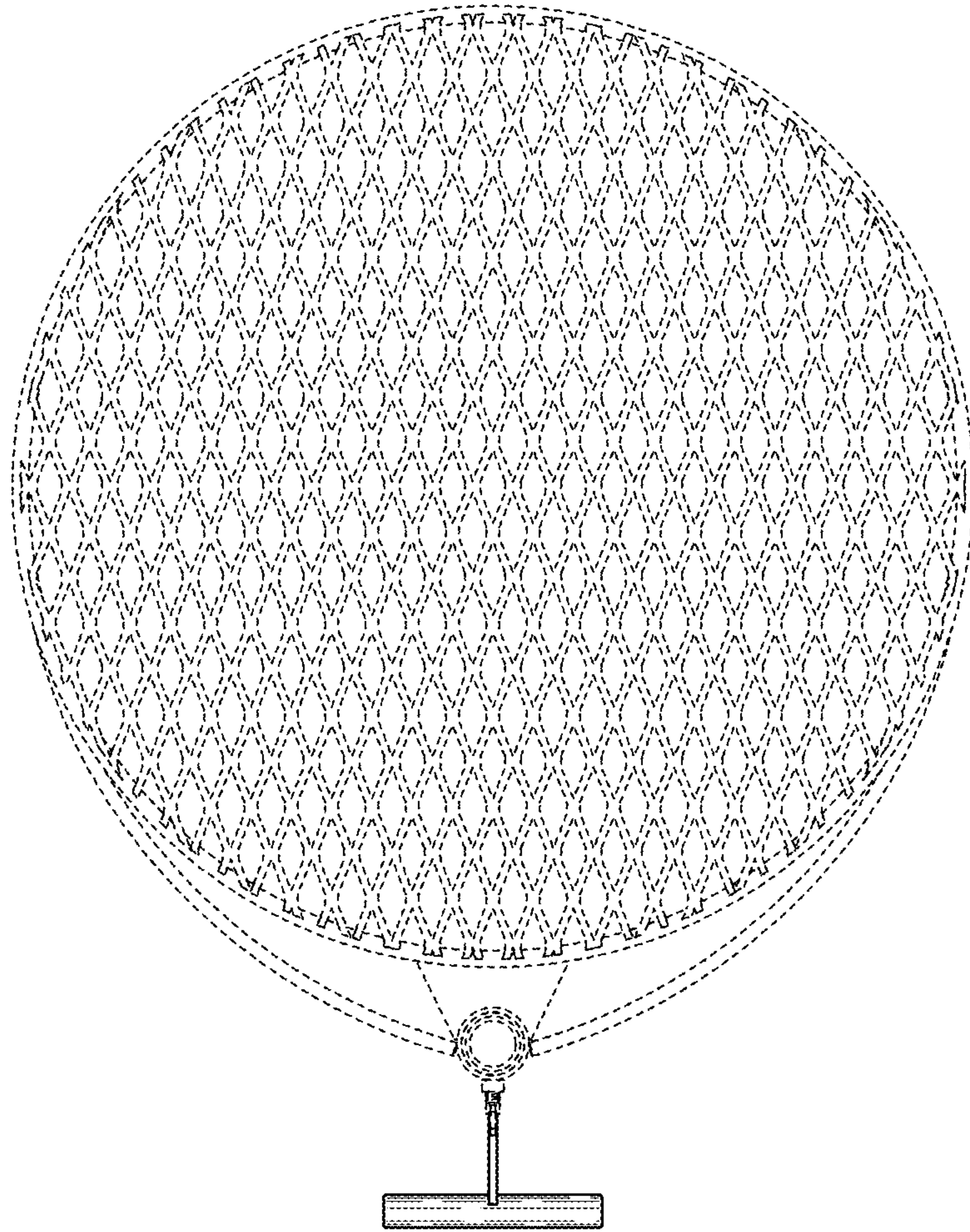


FIG. 8