



US00D917681S

(12) **United States Design Patent**  
**Zhang et al.**

(10) **Patent No.:** **US D917,681 S**  
(45) **Date of Patent:** **\*\* Apr. 27, 2021**

(54) **GAS STOVE TABLE**

(71) Applicant: **Aukey Technology Co., Ltd**, Shenzhen (CN)

(72) Inventors: **Weijun Zhang**, Shenzhen (CN);  
**Haizhuan Lu**, Shenzhen (CN)

(73) Assignee: **Aukey Technology Co., Ltd**, Shenzhen (CN)

(\*\*) Term: **15 Years**

(21) Appl. No.: **29/720,789**

(22) Filed: **Jan. 16, 2020**

(51) **LOC (13) Cl.** ..... **23-03**

(52) **U.S. Cl.**  
USPC ..... **D23/332; D23/339**

(58) **Field of Classification Search**  
USPC ..... D23/314, 317, 332, 336, 342-350, 329,  
D23/338, 339, 328, 334, 335, 341;  
D7/332, 334-337, 339, 341; D6/689,  
D6/691, 691.1, 685, 686, 688.12, 708.15,  
D6/709.19, 707.24, 677  
CPC .... F24C 7/105; F24C 1/10; F24C 3/04; F24C  
7/065; F23D 14/12; F24H 3/00; A47J  
2037/0777; A47J 37/0763; F24B 3/00;  
F24B 1/195; F24B 1/00; F24B 13/00;  
F24B 1/18; F24B 13/004; F24B 1/192;  
F24B 1/181; F24B 1/182; F24B 1/1802  
See application file for complete search history.

(56) **References Cited**

**U.S. PATENT DOCUMENTS**

D442,808 S \* 5/2001 Black ..... D6/708.15  
D513,312 S \* 12/2005 Borowske ..... D23/342

D580,194 S \* 11/2008 Lambert ..... D6/689  
D580,681 S \* 11/2008 Lambert ..... D6/689  
D613,968 S \* 4/2010 Lambert ..... D6/689  
D618,933 S \* 7/2010 Lambert ..... D6/689  
D848,591 S \* 5/2019 O'Brien Wheeler ..... D23/343  
2017/0261210 A1 \* 9/2017 Harris ..... F24C 3/08  
2020/0191407 A1 \* 6/2020 Zemel ..... F24B 1/192

**OTHER PUBLICATIONS**

Amazon TACKLIFE Gas Fire Pit Table, 28 inch 50,000 BTU Steel Surface Outdoor Propane Fire Table [https://www.amazon.com/dp/B07ZB9NG9R/ref=emc\\_b\\_5\\_i?th=1](https://www.amazon.com/dp/B07ZB9NG9R/ref=emc_b_5_i?th=1) (Year: 2020).\*

\* cited by examiner

*Primary Examiner* — Ania Aman

(74) *Attorney, Agent, or Firm* — Westbridge IP LLC

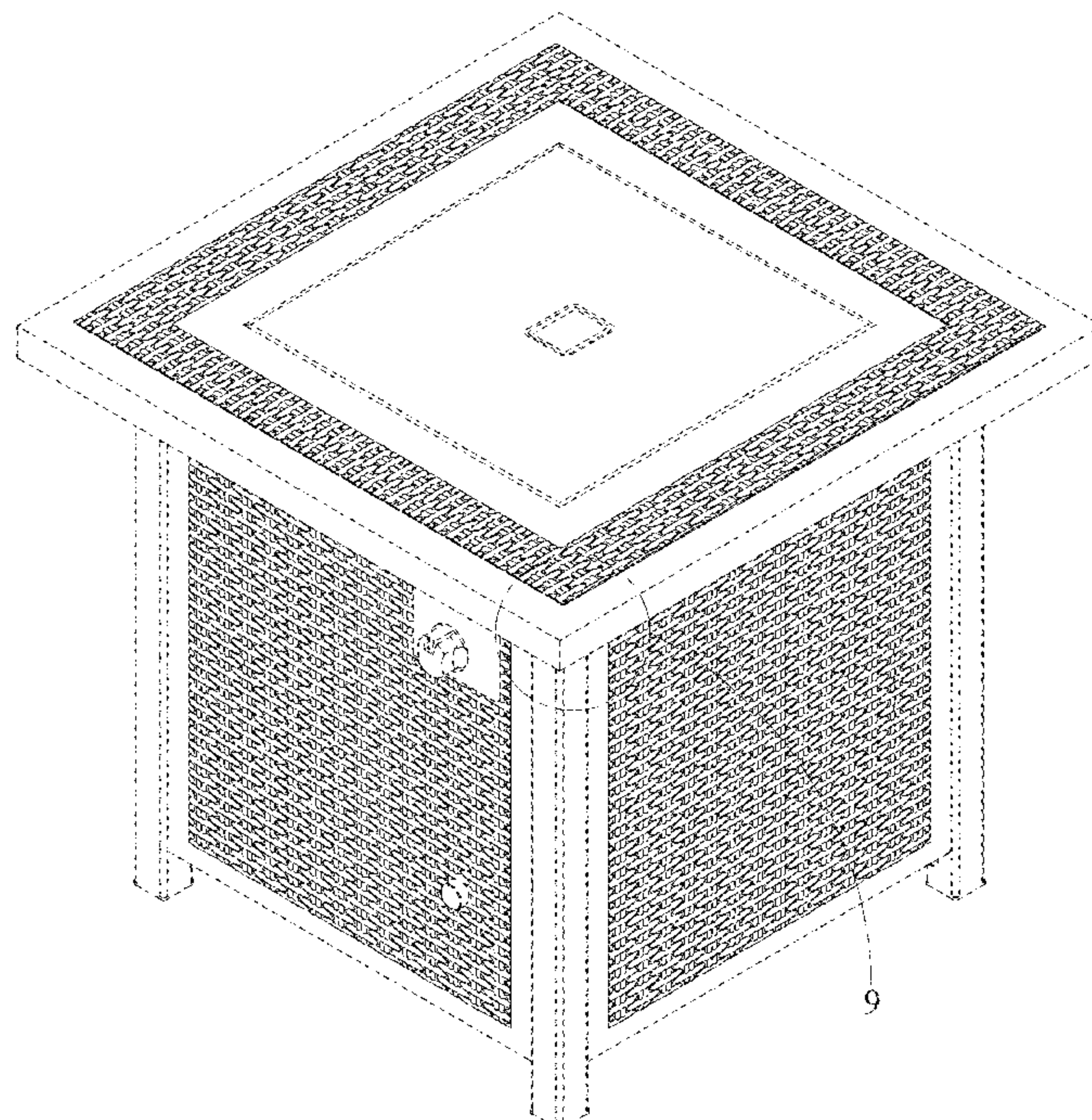
(57) **CLAIM**

The ornamental design for a gas stove table, as shown and described.

**DESCRIPTION**

FIG. 1 is front, right and top perspective view of a gas stove table showing our new design;  
FIG. 2 is a rear, left and bottom perspective view thereof;  
FIG. 3 is a front elevational view thereof;  
FIG. 4 is a rear elevational view thereof;  
FIG. 5 is a left side view thereof;  
FIG. 6 is a right side view thereof;  
FIG. 7 is a top plan view thereof;  
FIG. 8 is a bottom plan view thereof; and,  
FIG. 9 is an enlarged view of portion 9 in FIG. 1.  
The broken lines in the drawings illustrate the portions of the gas stove table which form no part of the claimed design.

**1 Claim, 9 Drawing Sheets**





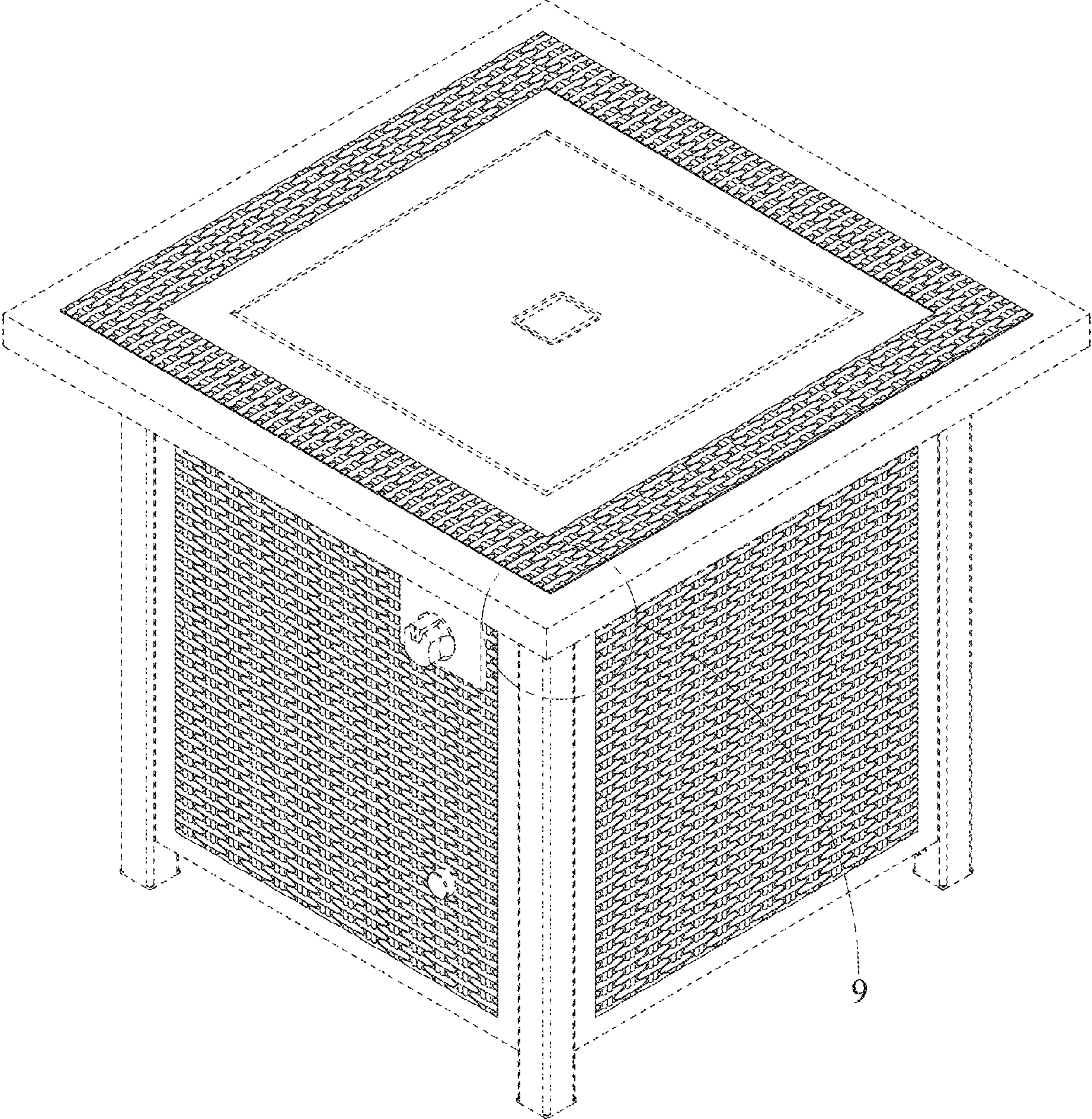


FIG. 1



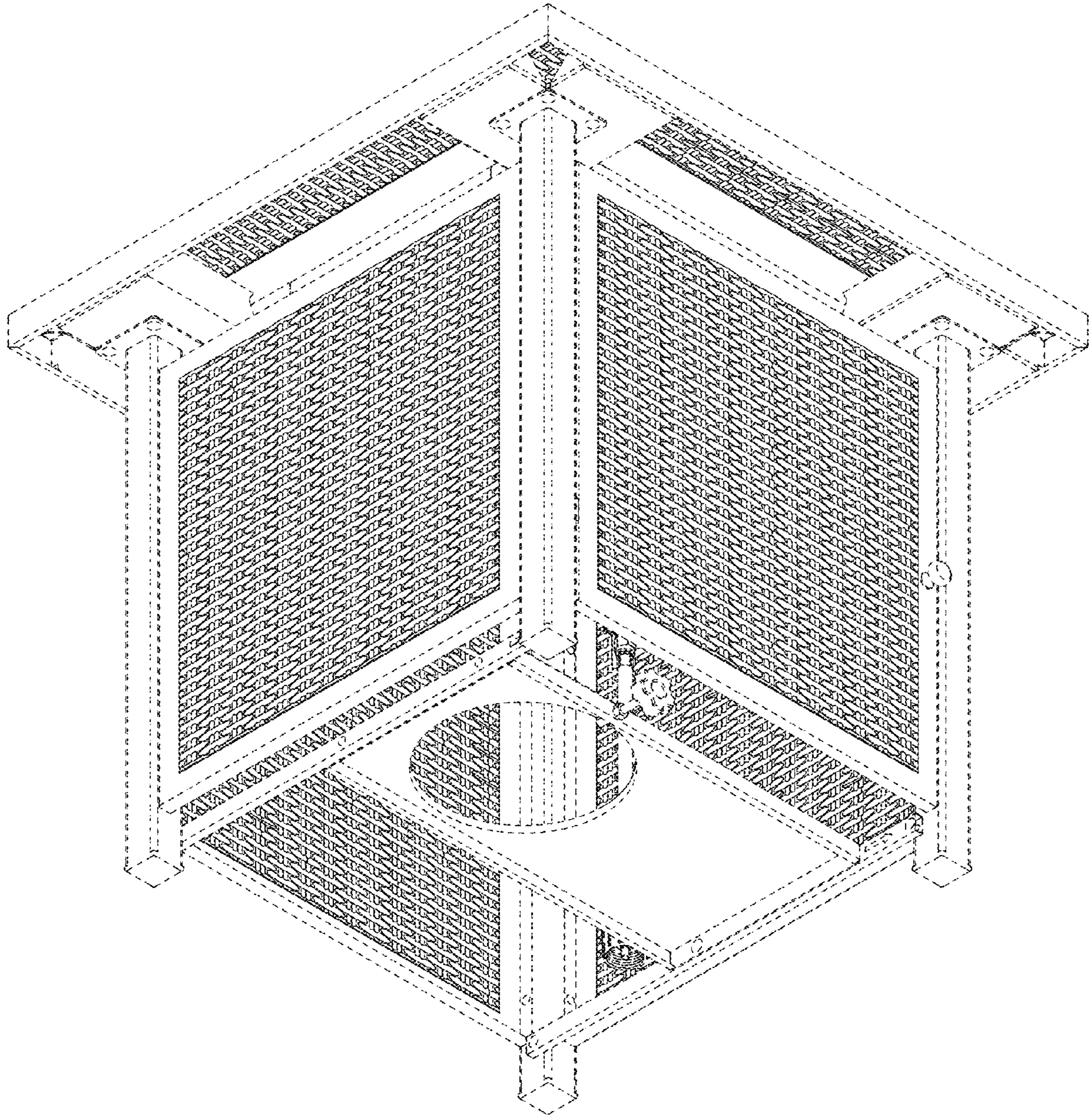


FIG. 2



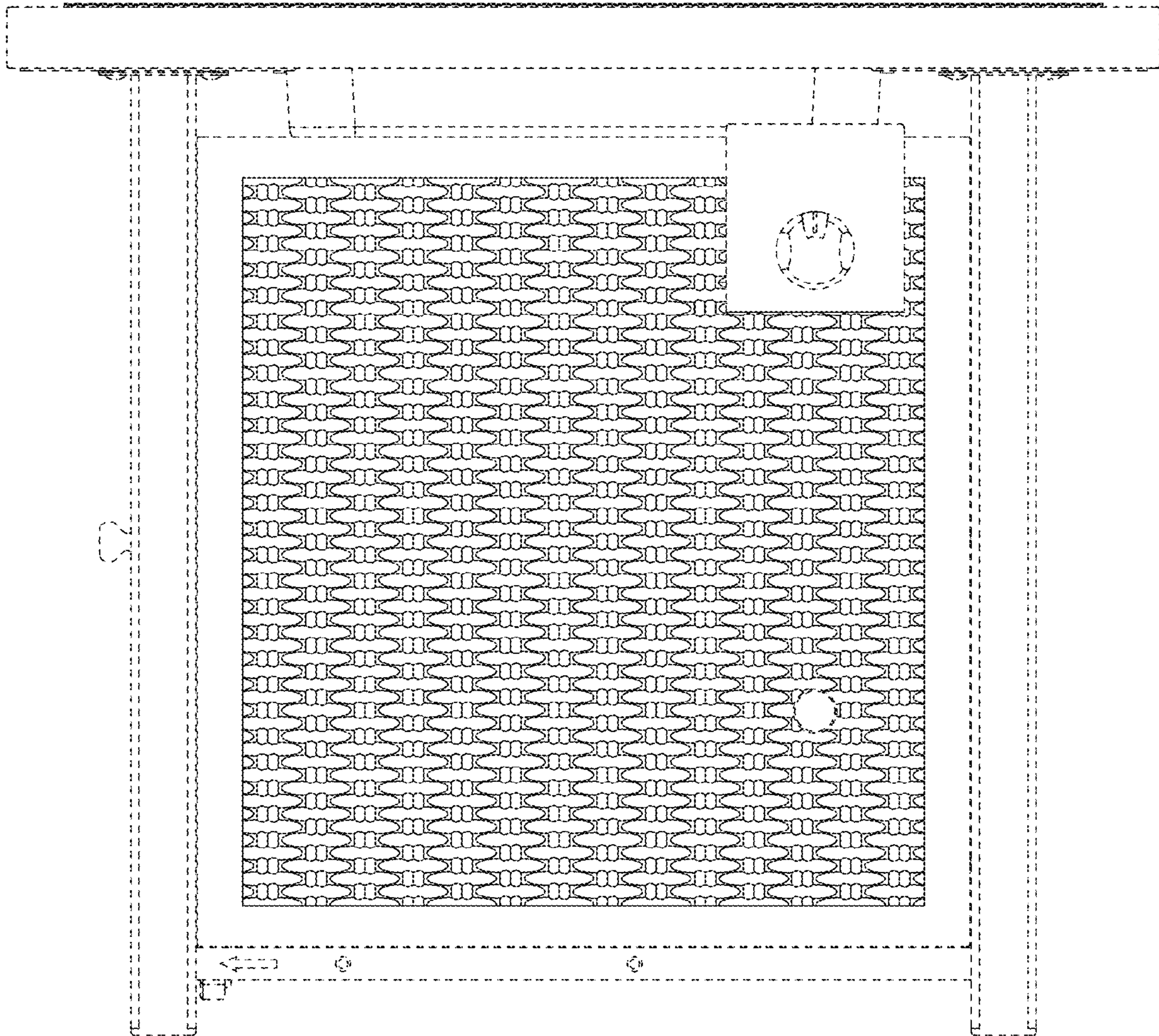


FIG. 3

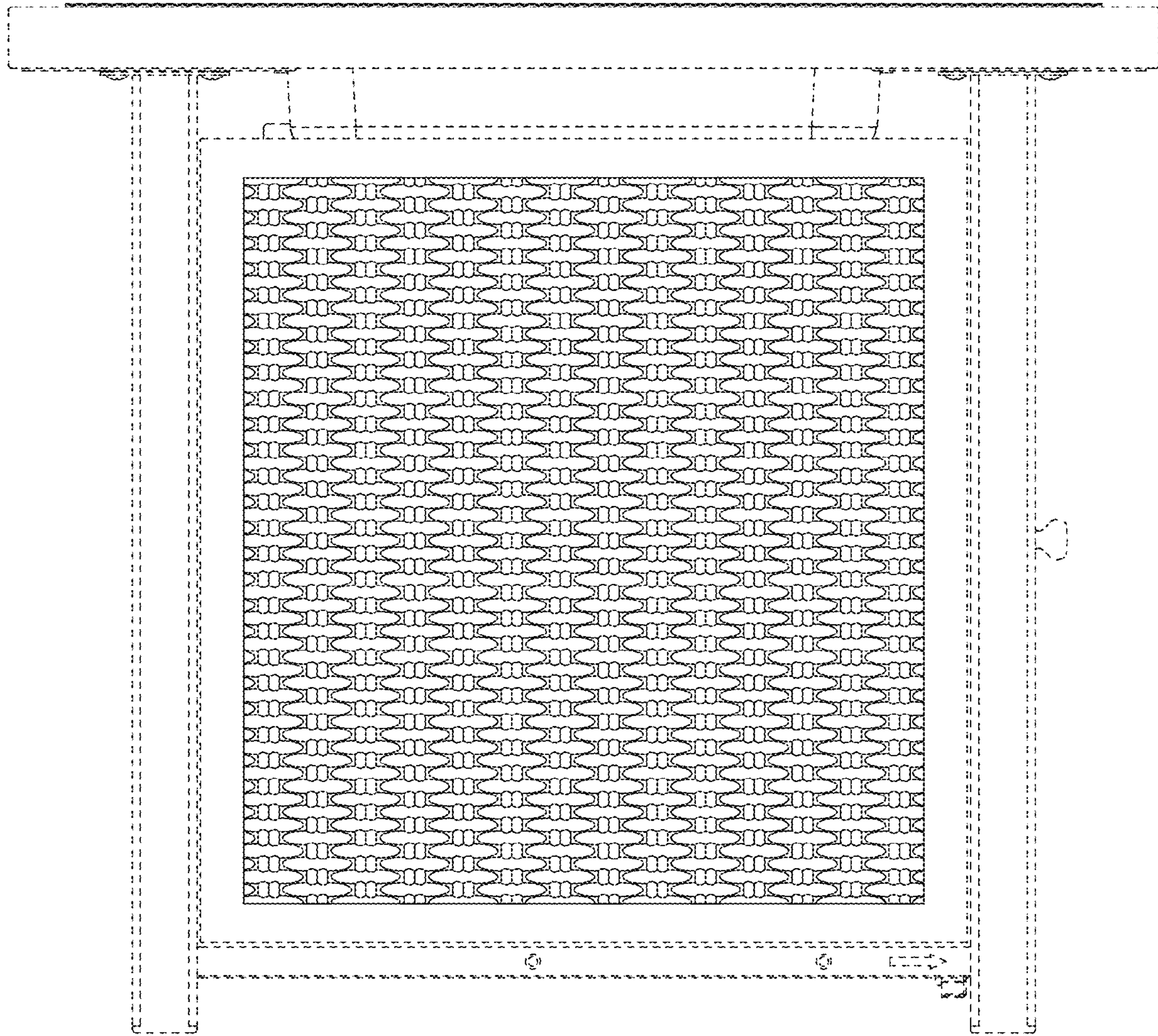


FIG. 4



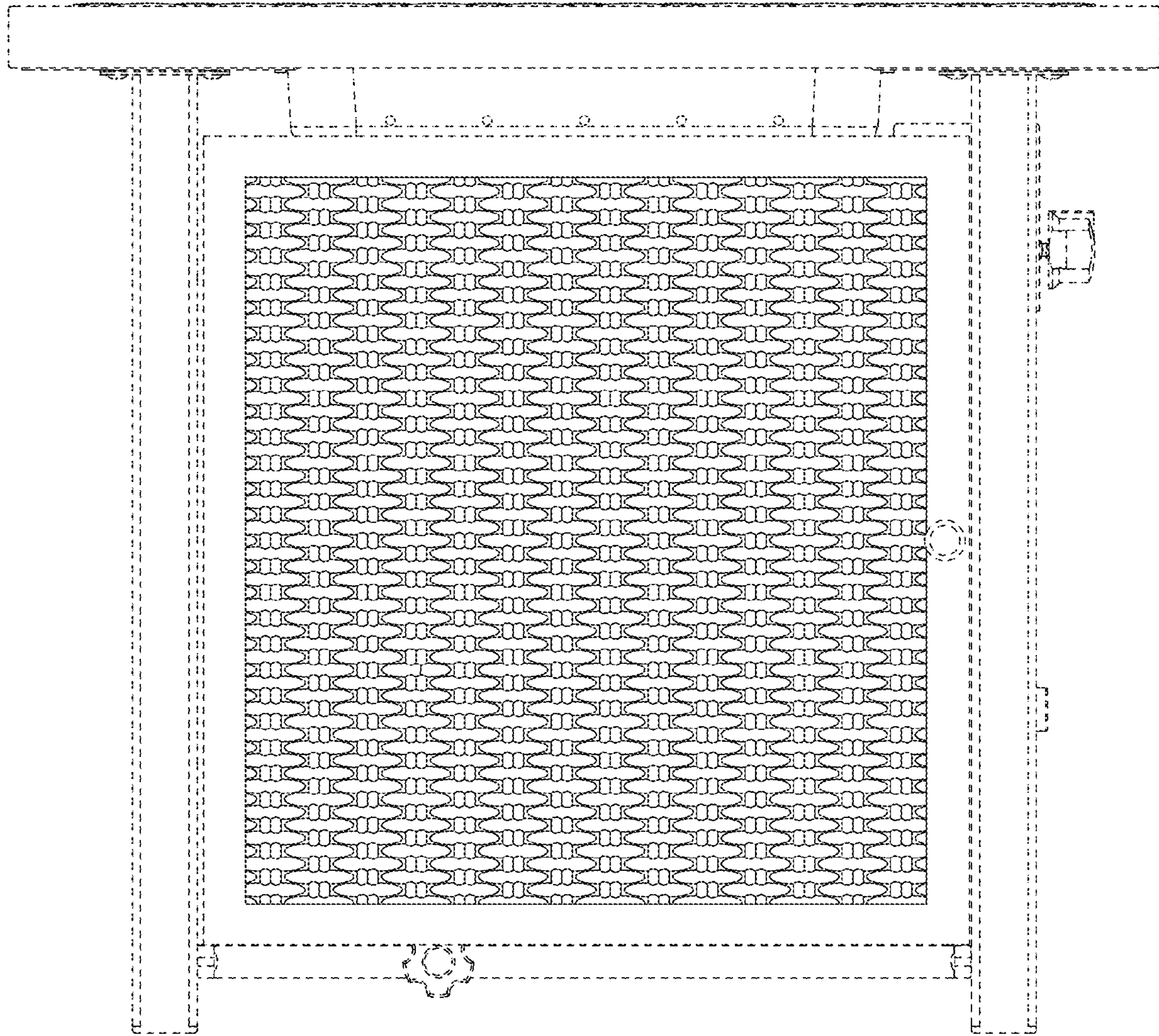


FIG. 5

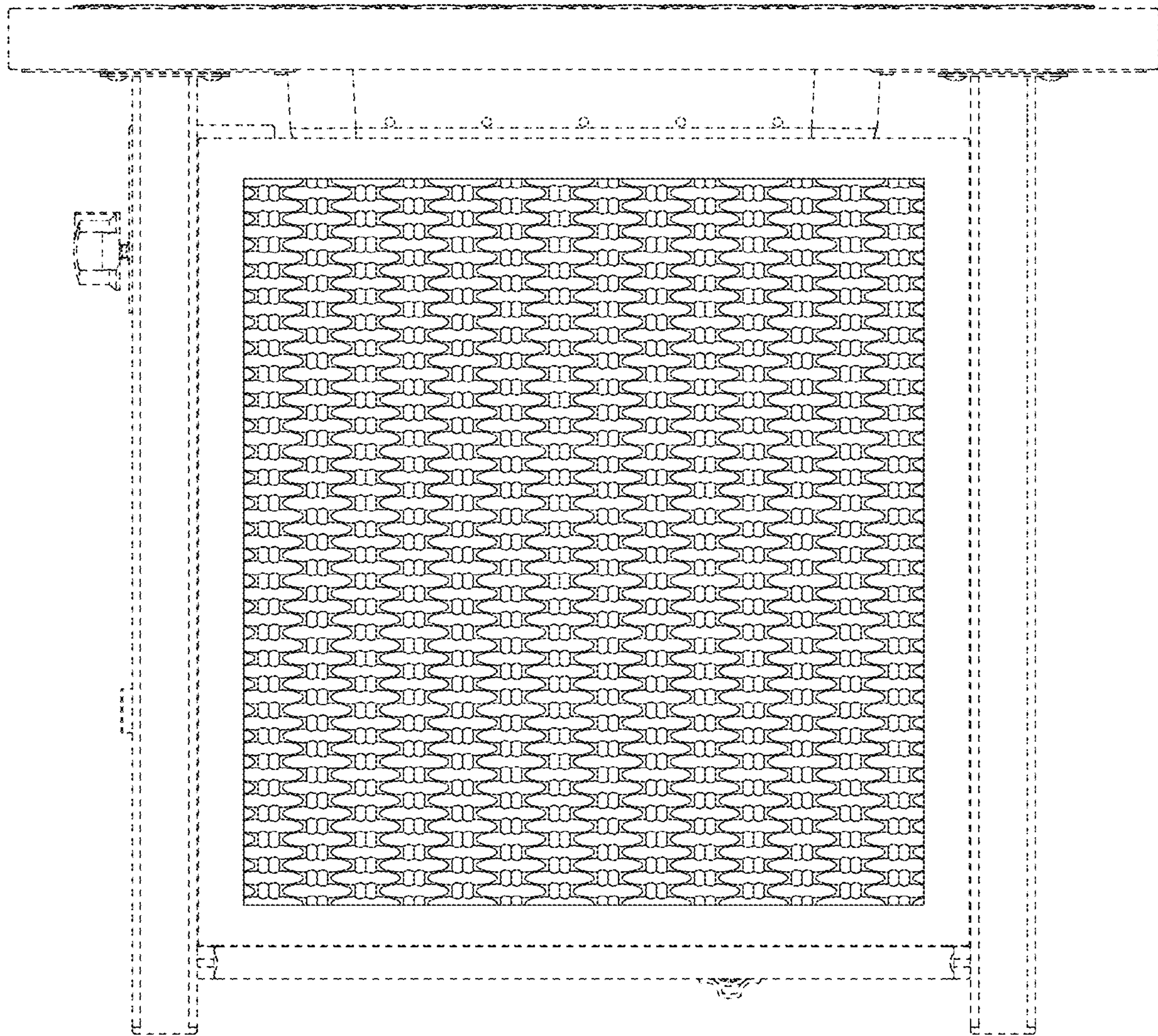


FIG. 6



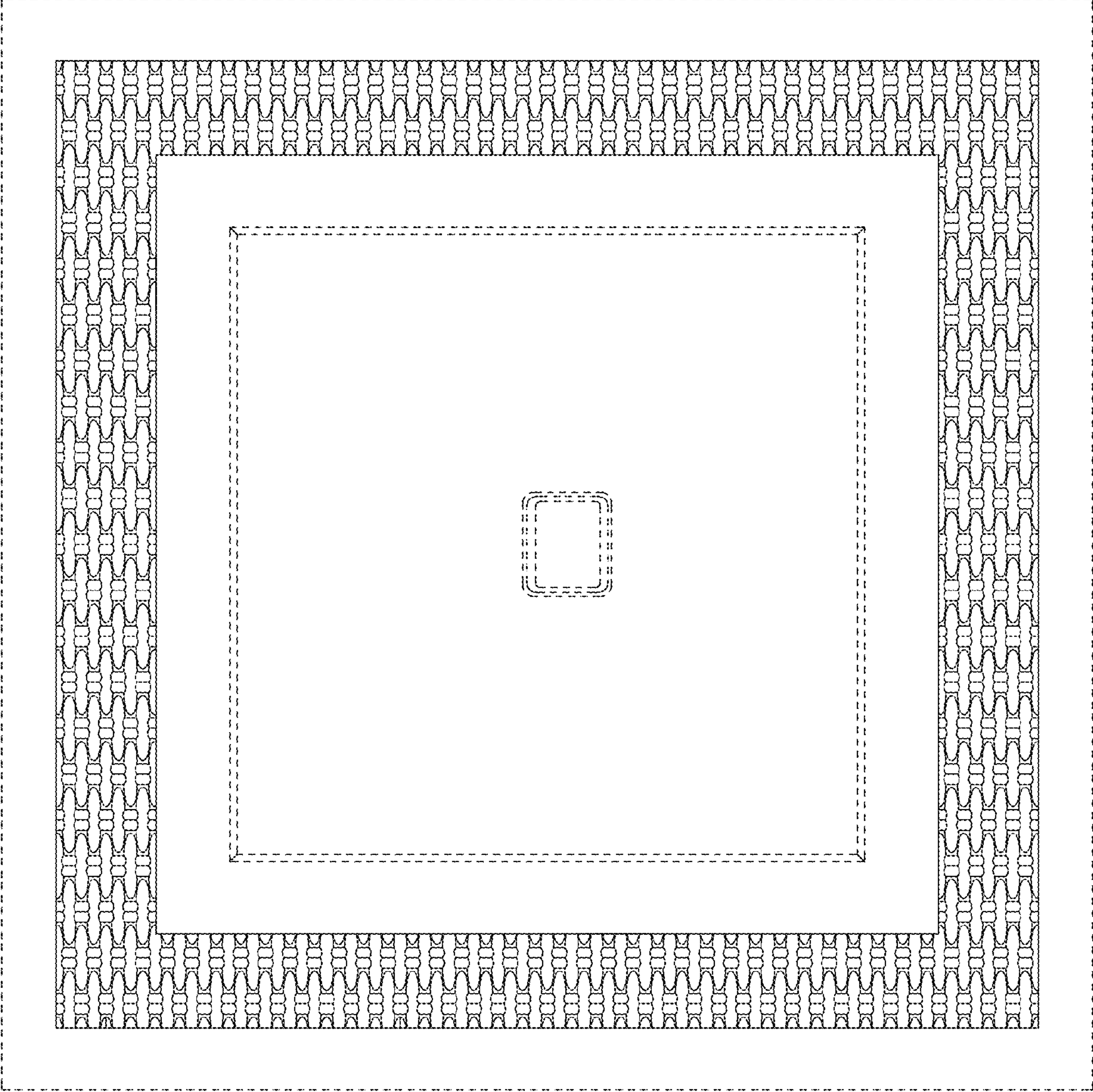


FIG. 7



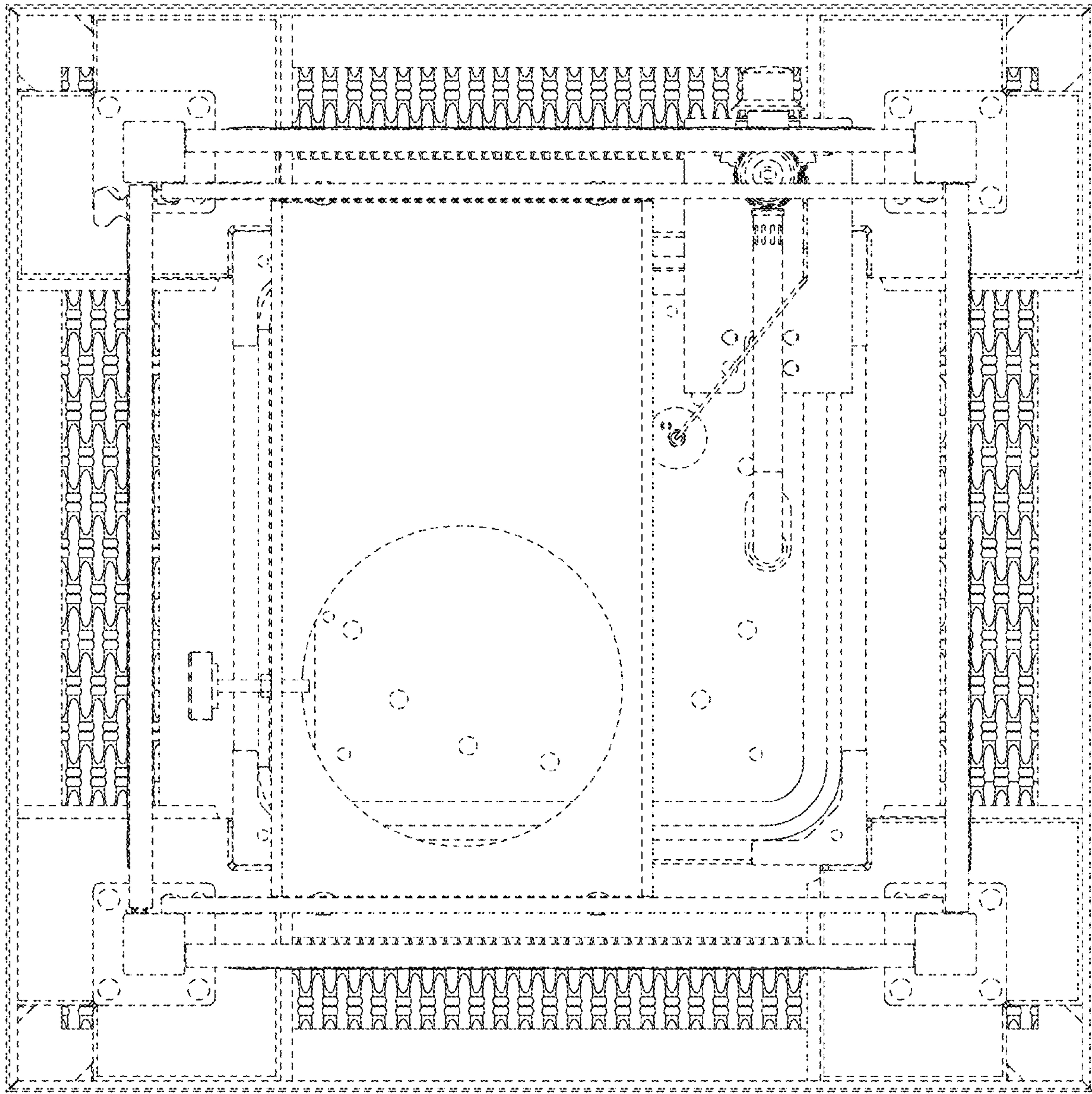


FIG. 8



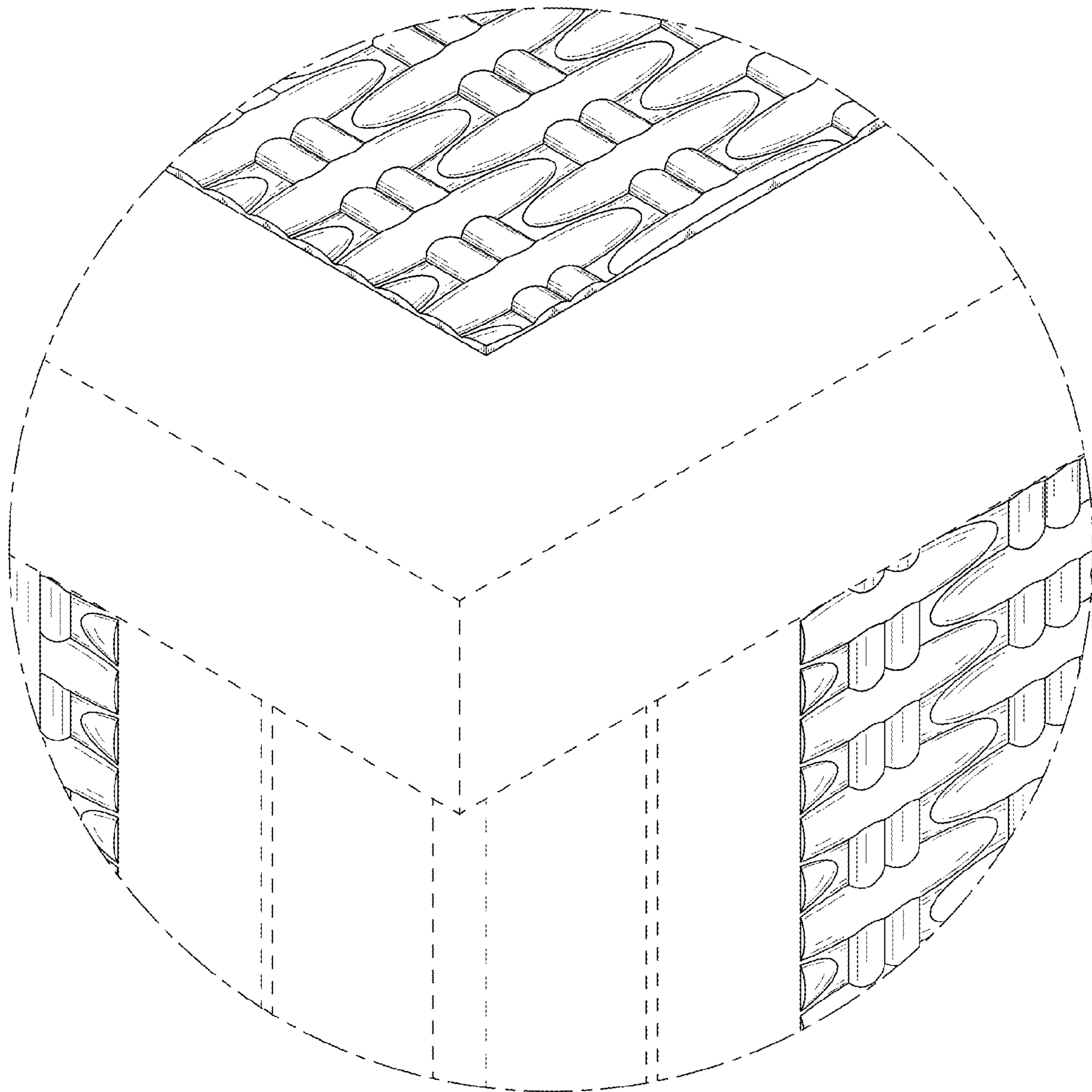


FIG. 9