



US00D917679S

(12) **United States Design Patent**
Self et al.

(10) **Patent No.:** **US D917,679 S**

(45) **Date of Patent:** **** Apr. 27, 2021**

(54) **SHOWER FLOOR FORMER ASSEMBLY**

(71) Applicant: **DLP Limited**, Douglas (IM)

(72) Inventors: **James Edward Self**, Colby (IM); **Iain Stuart Fenna**, Peel (IM)

(73) Assignee: **DLP Limited**, Douglas (IM)

(**) Term: **15 Years**

(21) Appl. No.: **29/680,165**

(22) Filed: **Feb. 14, 2019**

(30) **Foreign Application Priority Data**

Aug. 16, 2018 (EM) 005610052

(51) **LOC (13) Cl.** **23-02**

(52) **U.S. Cl.**
USPC **D23/304**

(58) **Field of Classification Search**
USPC D23/303-304, 261, 267
CPC E03F 5/0408
See application file for complete search history.

(56) **References Cited**

U.S. PATENT DOCUMENTS

- 1,097,631 A * 5/1914 Hollingsworth A47K 3/40
4/621
- 6,886,190 B2 * 5/2005 Tompane E03F 5/06
4/612
- 8,176,579 B2 * 5/2012 Daniels A47K 3/40
4/613
- D706,913 S * 6/2014 Toms D23/304

- D836,758 S * 12/2018 Rocandio Mazagatos .. D23/304
- 2006/0213006 A1 * 9/2006 Rush, Jr. A47K 3/40
4/613
- 2008/0189926 A1 * 8/2008 Luxton E03F 5/0408
29/428
- 2009/0119831 A1 * 5/2009 Grave A47K 3/40
4/613
- 2010/0065136 A1 * 3/2010 Stimpson E03C 1/1227
137/565.01
- 2011/0088160 A1 * 4/2011 Stimpson A47K 3/40
4/613
- 2020/0157794 A1 * 5/2020 Self E03C 1/20

* cited by examiner

Primary Examiner — Robert A Delehanty

(74) *Attorney, Agent, or Firm* — Wiggin and Dana LLP;
Gregory S. Rosenblatt; Jonathan D. Hall

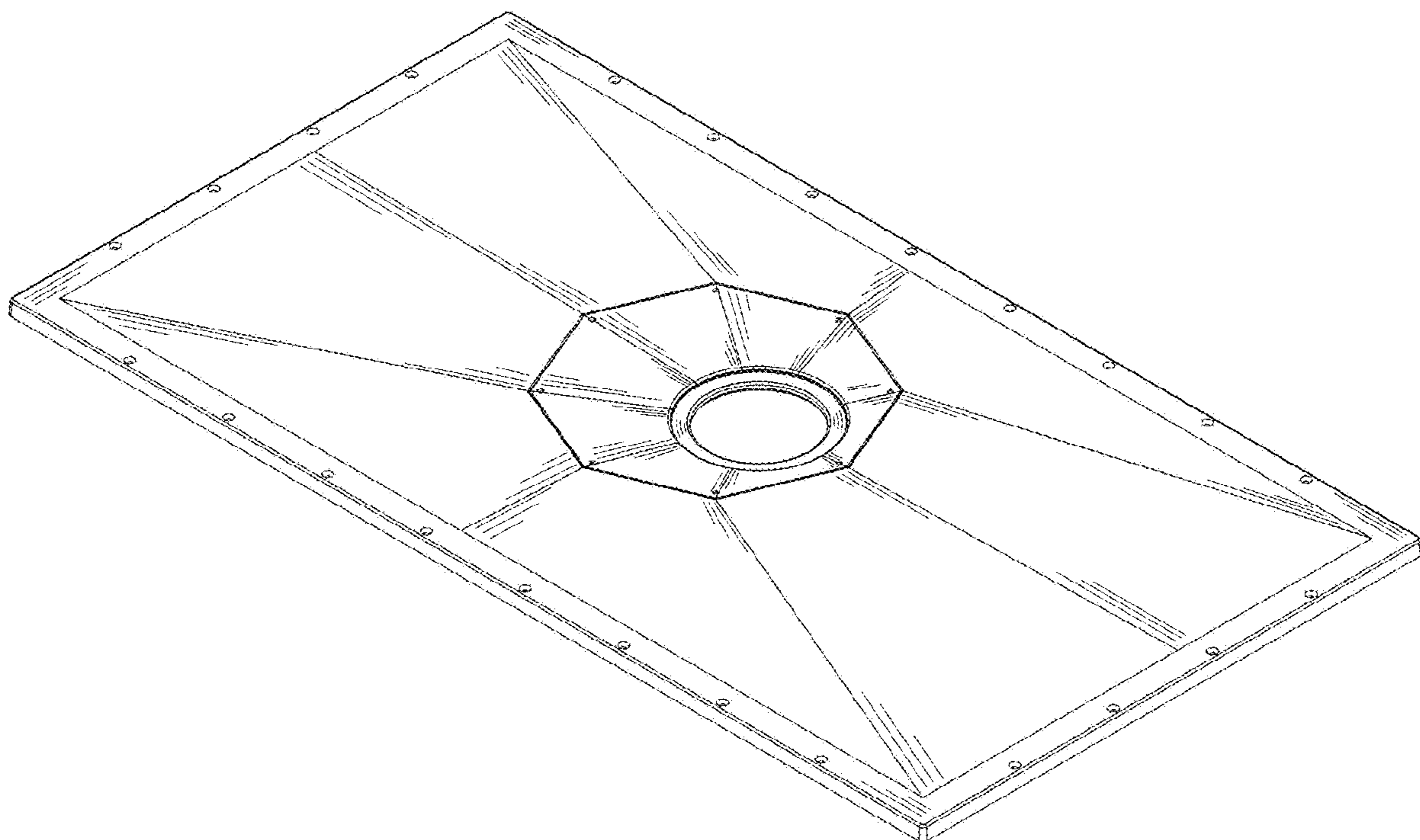
(57) **CLAIM**

The ornamental design for a shower floor former assembly, as shown and described.

DESCRIPTION

FIG. 1 is a perspective top view of one embodiment of the shower floor former assembly of our new design; FIG. 2 is a perspective top view of the shower floor former assembly as shown in FIG. 1, in an exploded condition; FIG. 3 is a side view of the shower floor former assembly as shown in FIG. 1; FIG. 4 is an end view of the shower floor former assembly as shown in FIG. 1; and, FIG. 5 is a top plan view of the shower floor former assembly as shown in FIG. 1.

1 Claim, 5 Drawing Sheets



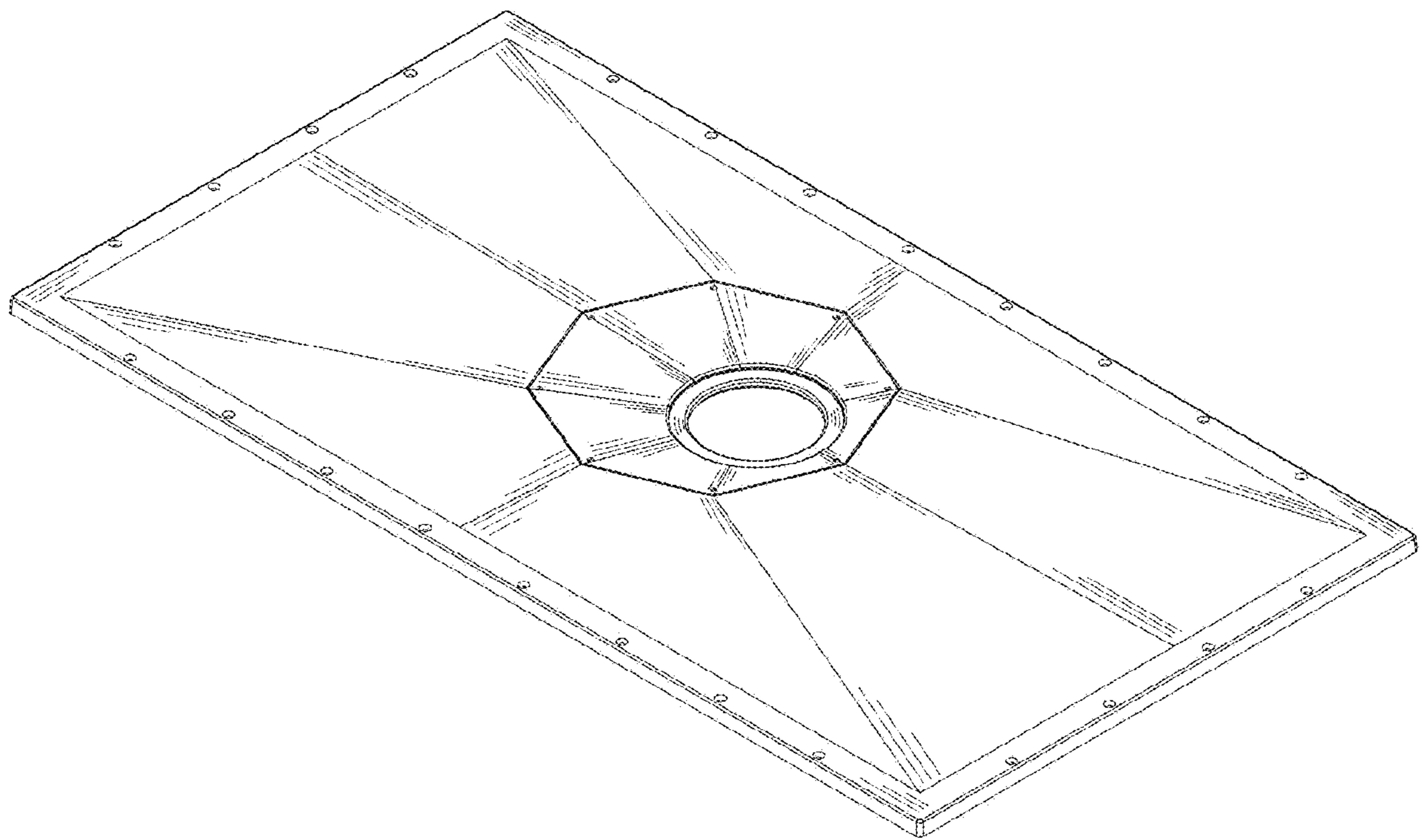


FIG. 1

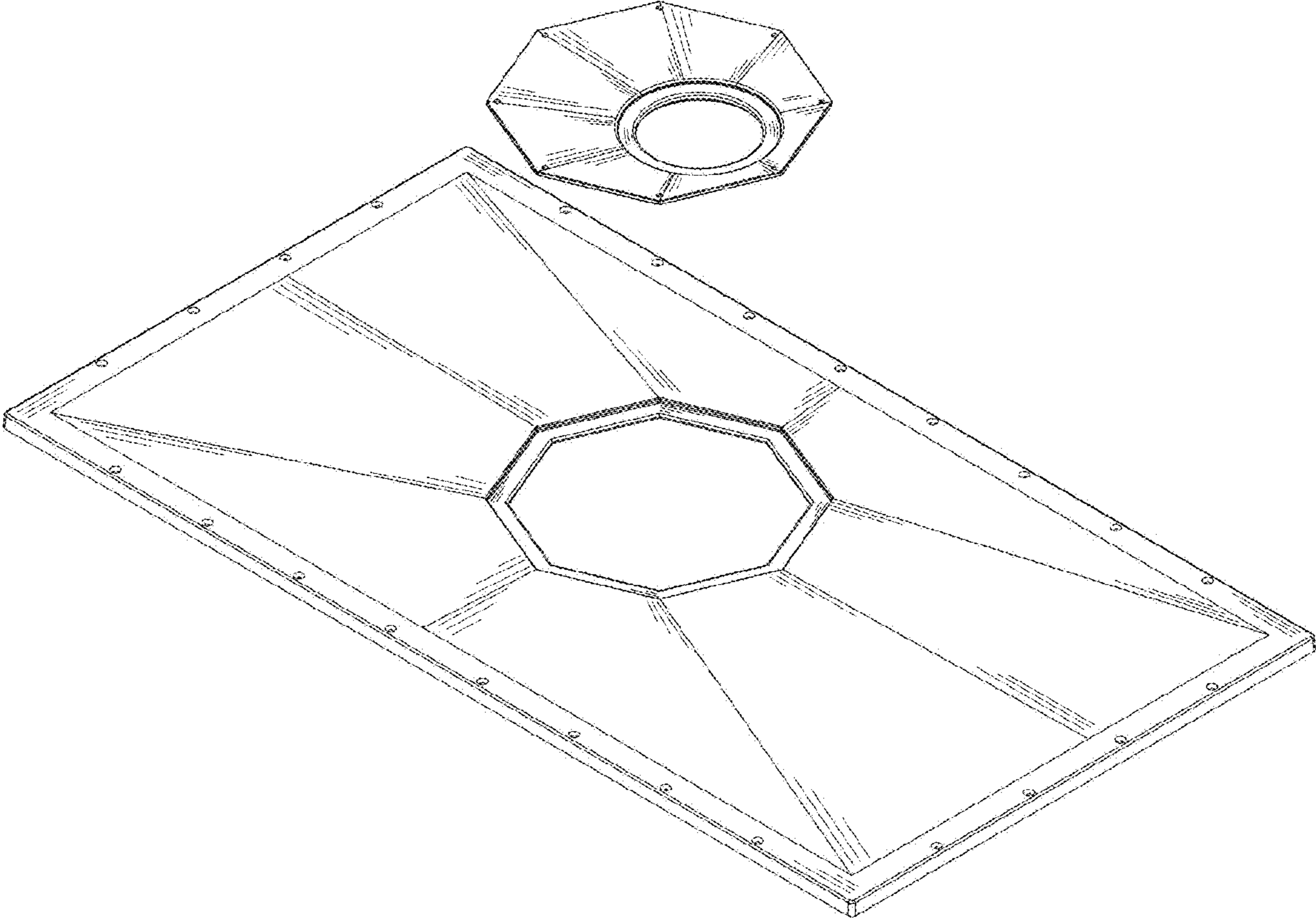


FIG. 2

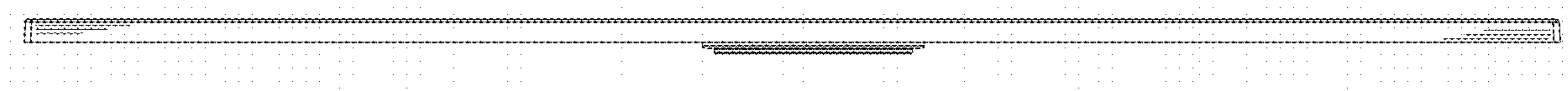


FIG. 3

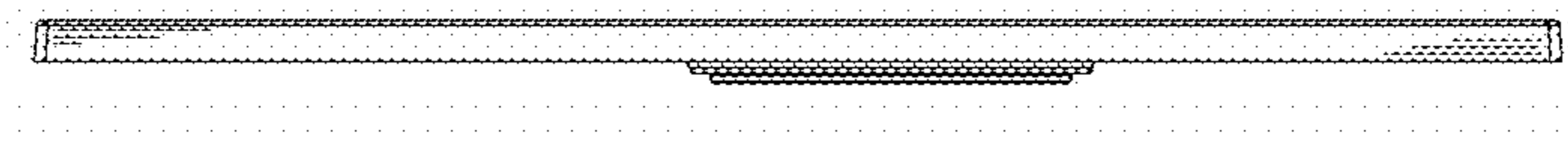


FIG. 4

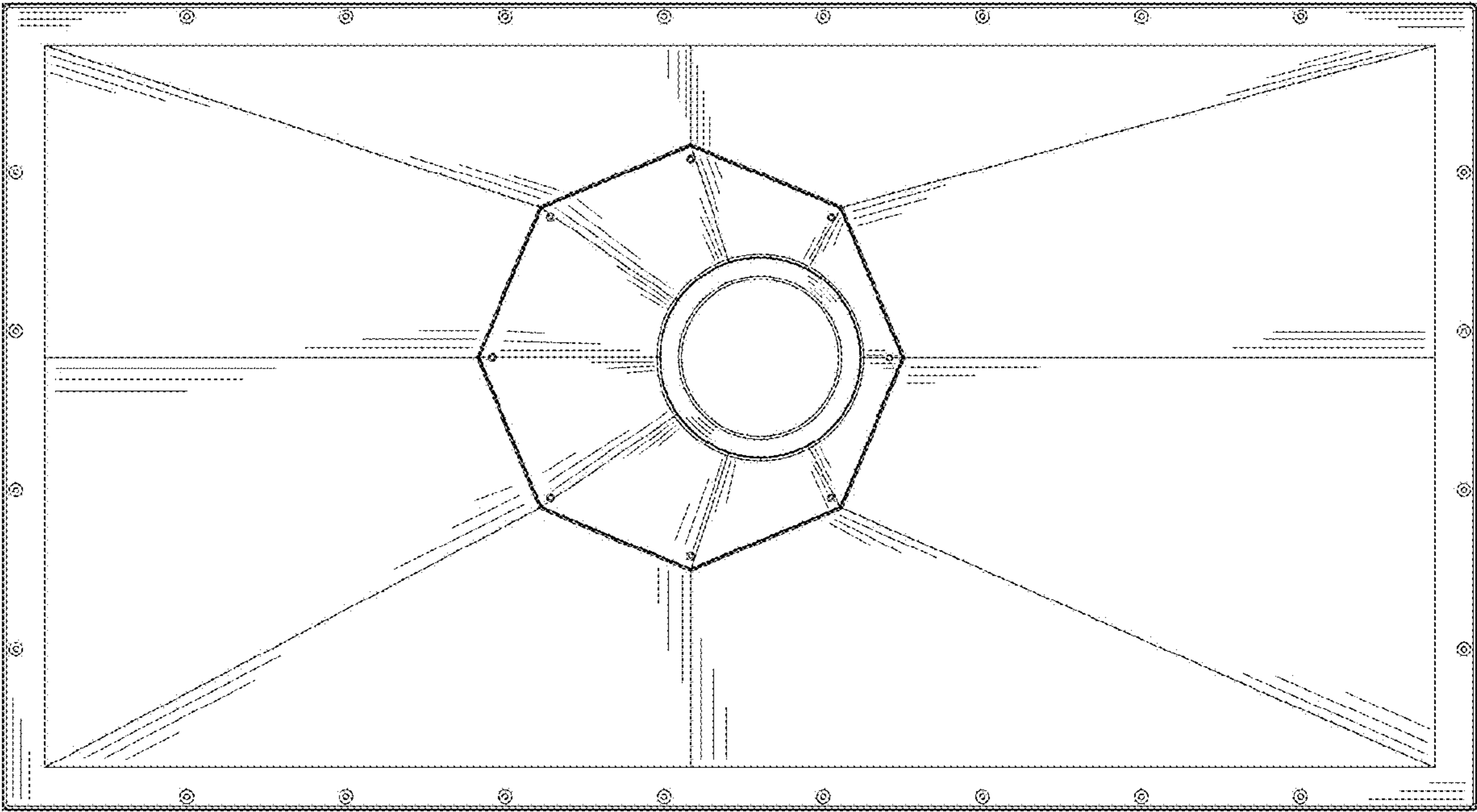


FIG. 5