



US00D917678S

(12) **United States Design Patent**  
**Han**

(10) **Patent No.:** **US D917,678 S**

(45) **Date of Patent:** **\*\* Apr. 27, 2021**

(54) **PRESS TYPE QUICK RELEASE GREASE COUPLER**

(71) Applicant: **Huabing Han**, Hangzhou (CN)

(72) Inventor: **Huabing Han**, Hangzhou (CN)

(\*\*) Term: **15 Years**

(21) Appl. No.: **29/678,618**

(22) Filed: **Jan. 30, 2019**

(51) **LOC (13) Cl.** ..... **23-01**

(52) **U.S. Cl.**  
USPC ..... **D23/262**

(58) **Field of Classification Search**  
USPC ..... D8/14.1, 45, 382; D23/259, 262–263,  
D23/265; D24/108, 112, 129, 135, 141;  
137/539; 222/335, 470–474, 571;  
184/28–29, 105.1–105.3; 285/305, 316,  
285/322

CPC ..... F16N 23/00  
See application file for complete search history.

(56) **References Cited**

**U.S. PATENT DOCUMENTS**

- 935,268 A \* 9/1909 Levedahl ..... F16K 31/52408  
251/240
- 2,070,013 A \* 2/1937 Krannak ..... F16L 37/127  
285/316
- 2,285,010 A \* 6/1942 Bullock ..... F16K 21/14  
251/101
- 3,779,586 A \* 12/1973 Rossiter ..... F16L 37/407  
285/308

- 3,885,713 A \* 5/1975 Weitzel ..... F16N 3/12  
222/153.14
- D359,343 S \* 6/1995 Dawson ..... D23/262
- 8,720,487 B2 \* 5/2014 Cooley ..... F16L 37/34  
137/614.05
- 10,415,749 B2 \* 9/2019 Hung ..... F16N 21/04
- 2012/0267890 A1 \* 10/2012 Gurney ..... F16L 37/138  
285/308
- 2015/0115601 A1 \* 4/2015 Boucher ..... F16L 37/407  
285/325
- 2018/0142837 A1 \* 5/2018 Boren ..... F16N 3/12
- 2018/0299065 A1 \* 10/2018 Hung ..... F16K 15/044
- 2019/0120413 A1 \* 4/2019 Verma ..... F16L 37/121

\* cited by examiner

*Primary Examiner* — Amy C Wierenga

(74) *Attorney, Agent, or Firm* — Erson IP (Nelson IP)

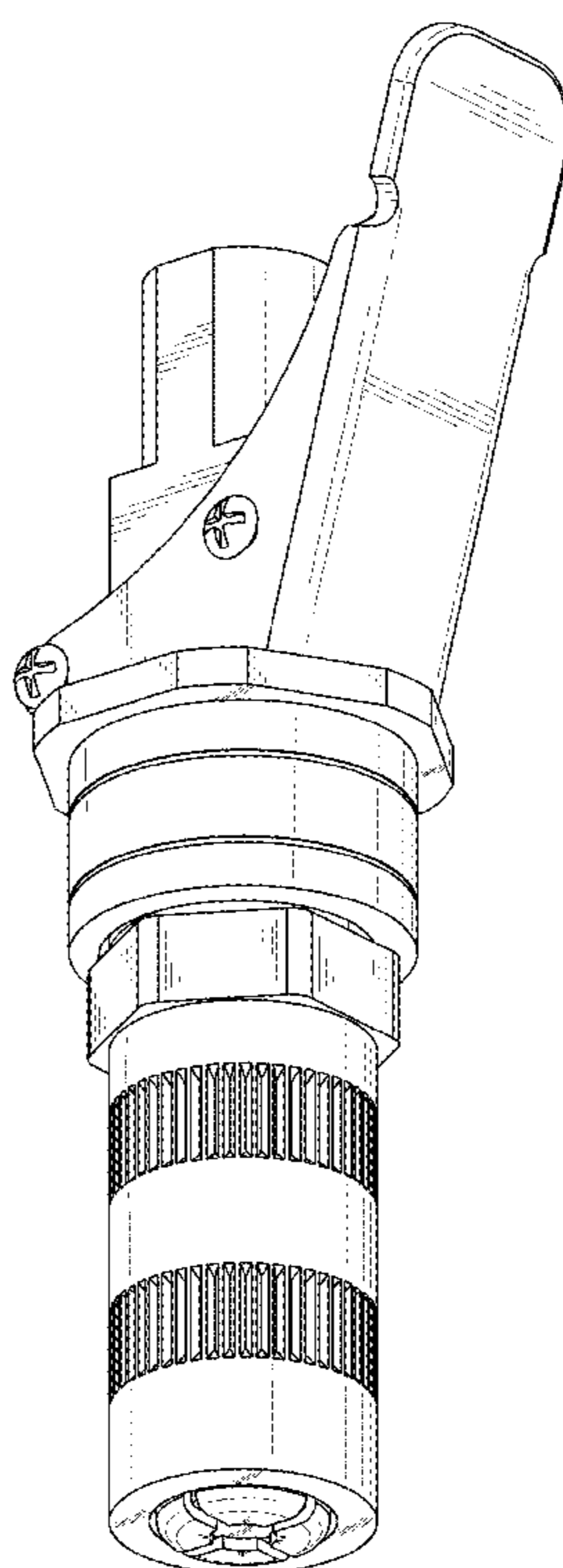
(57) **CLAIM**

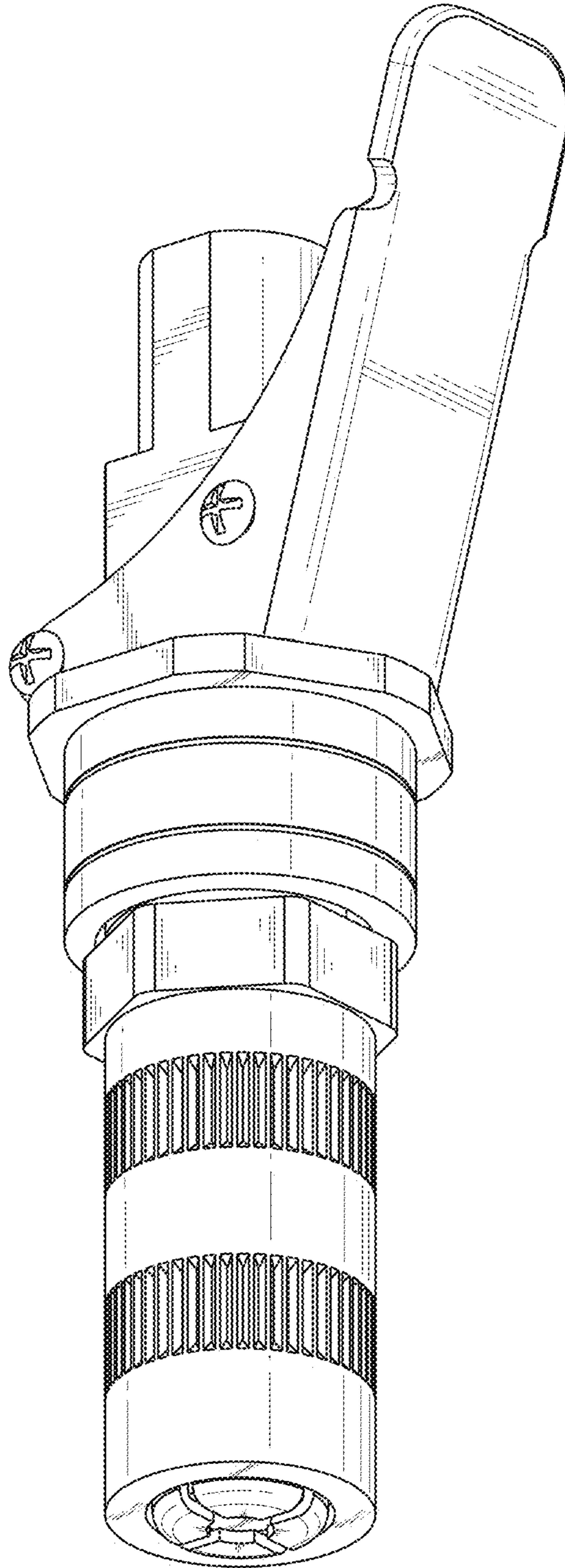
The ornamental design for a press type quick release grease coupler, as shown and described.

**DESCRIPTION**

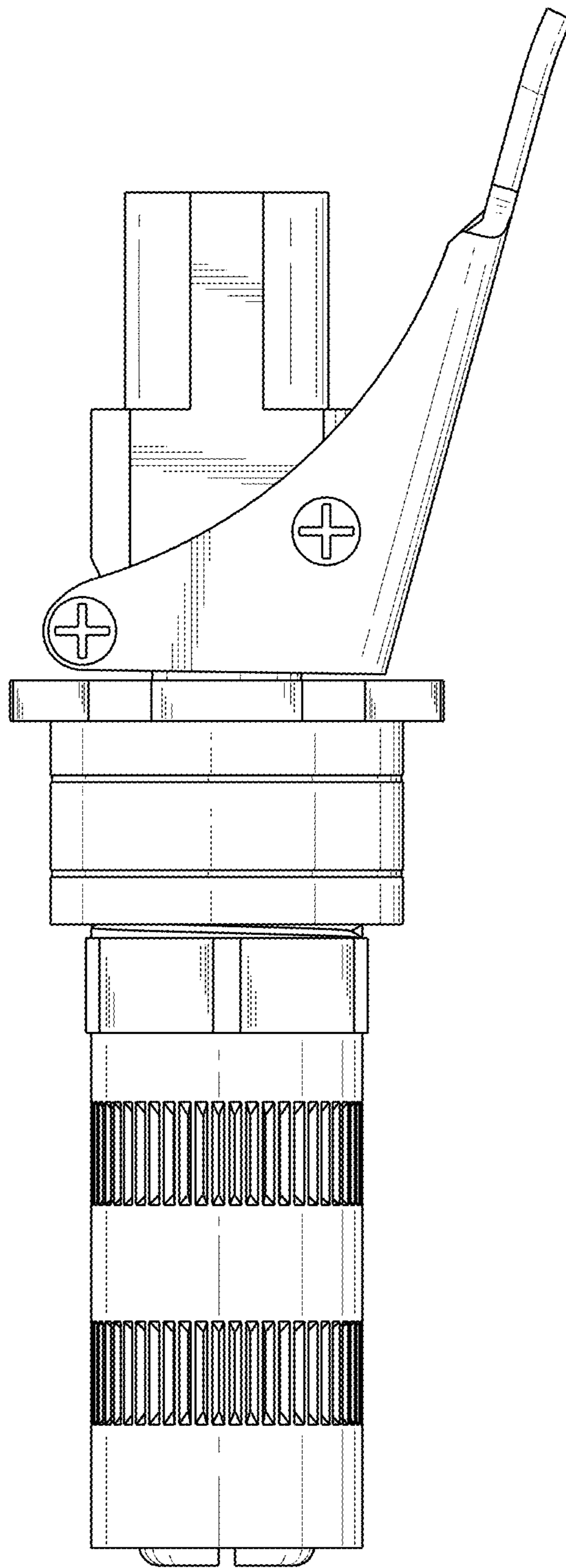
FIG. 1 is a perspective view of a press type quick release grease coupler showing my new design;  
 FIG. 2 is a front view thereof;  
 FIG. 3 is a rear view thereof;  
 FIG. 4 is a left side view thereof;  
 FIG. 5 is a right side view thereof;  
 FIG. 6 is a top plan view thereof; and,  
 FIG. 7 is a bottom plan view thereof.  
 The broken lines are for the purposes of illustrating portions of the push type quick release grease coupler and form no part of the claimed design.

**1 Claim, 7 Drawing Sheets**

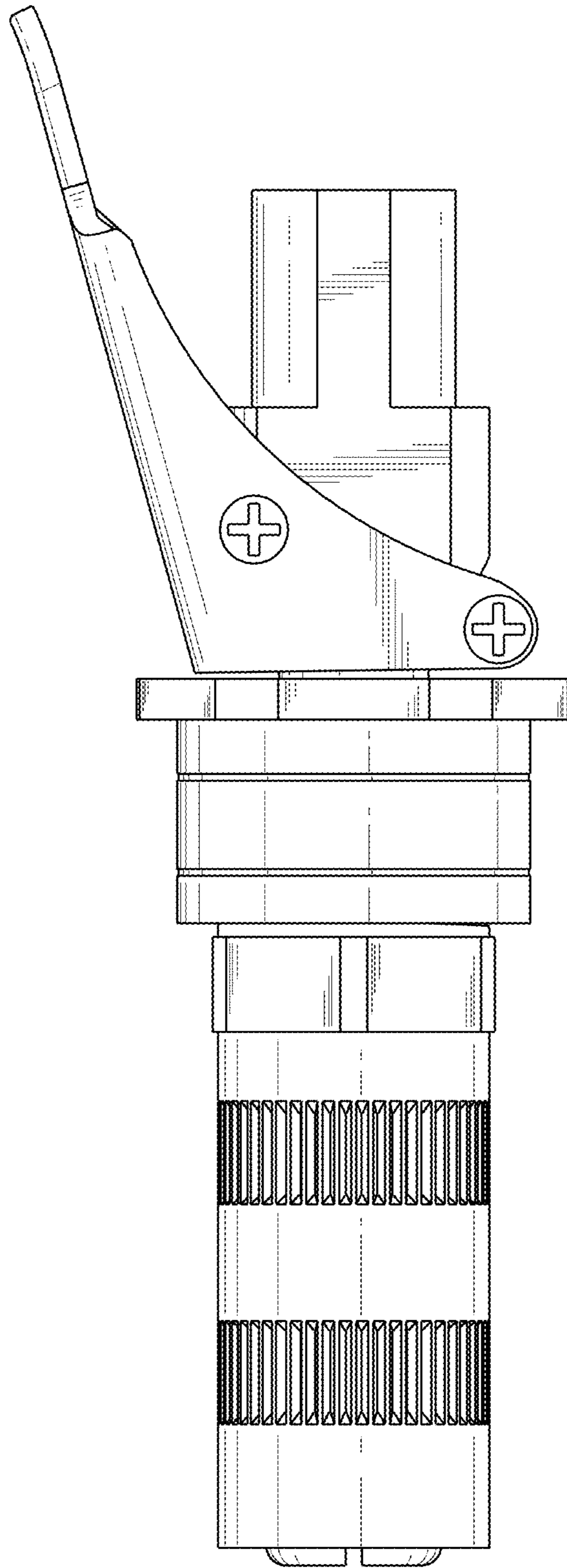




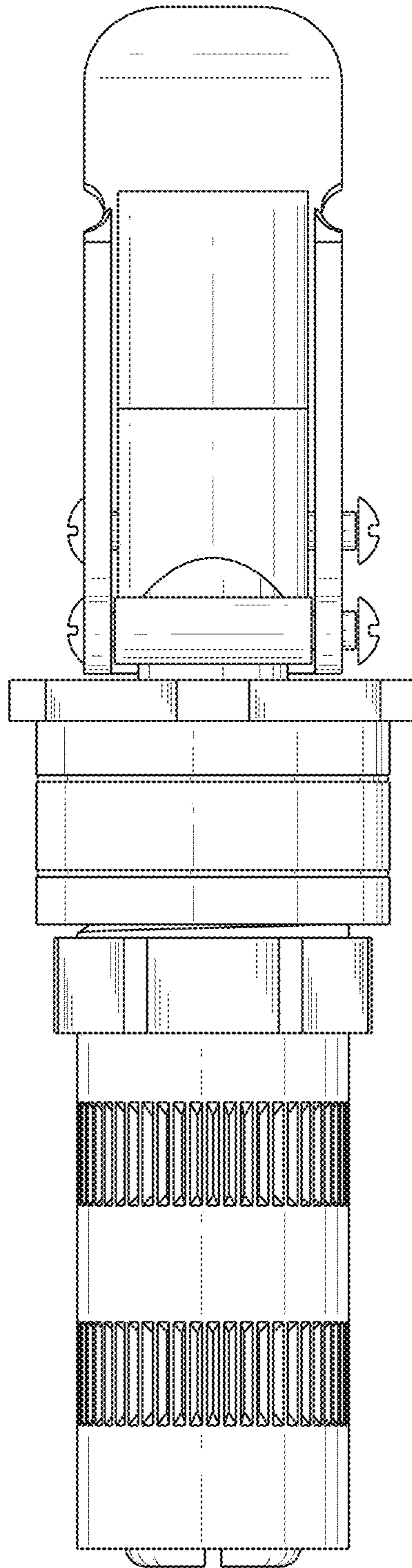
**Fig.1**



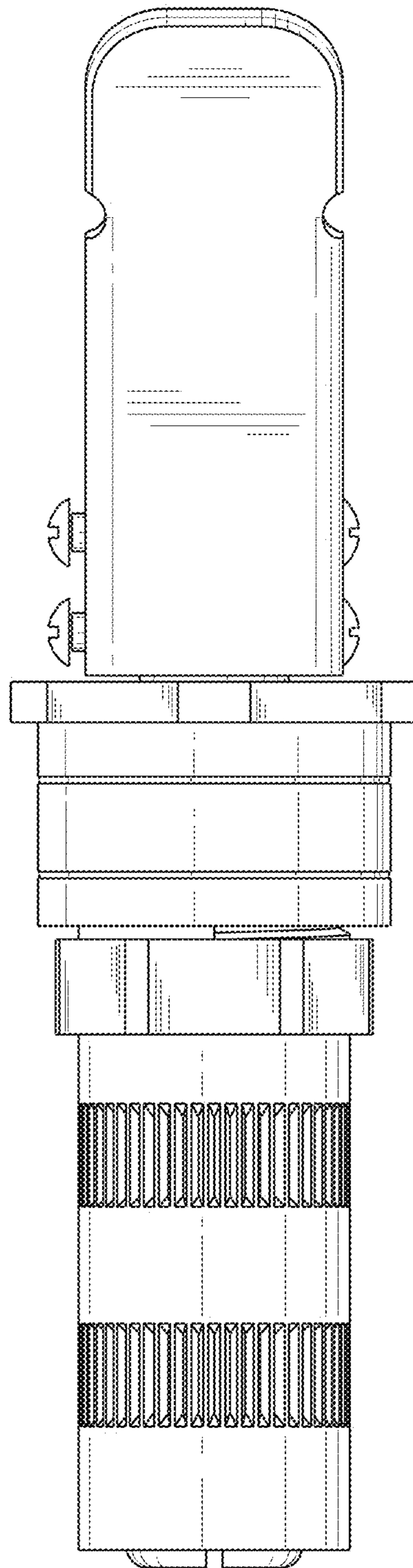
**Fig.2**



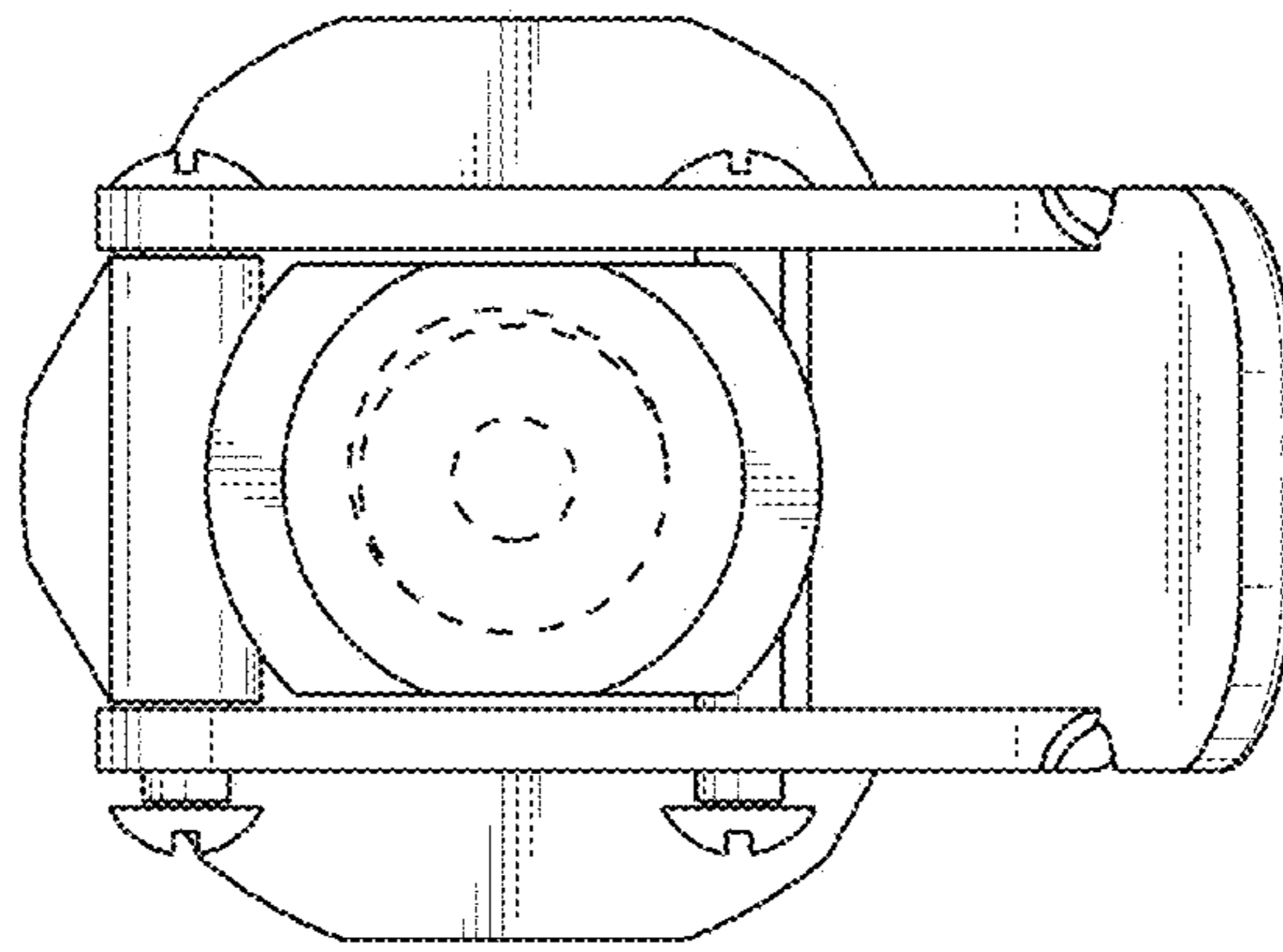
**Fig.3**



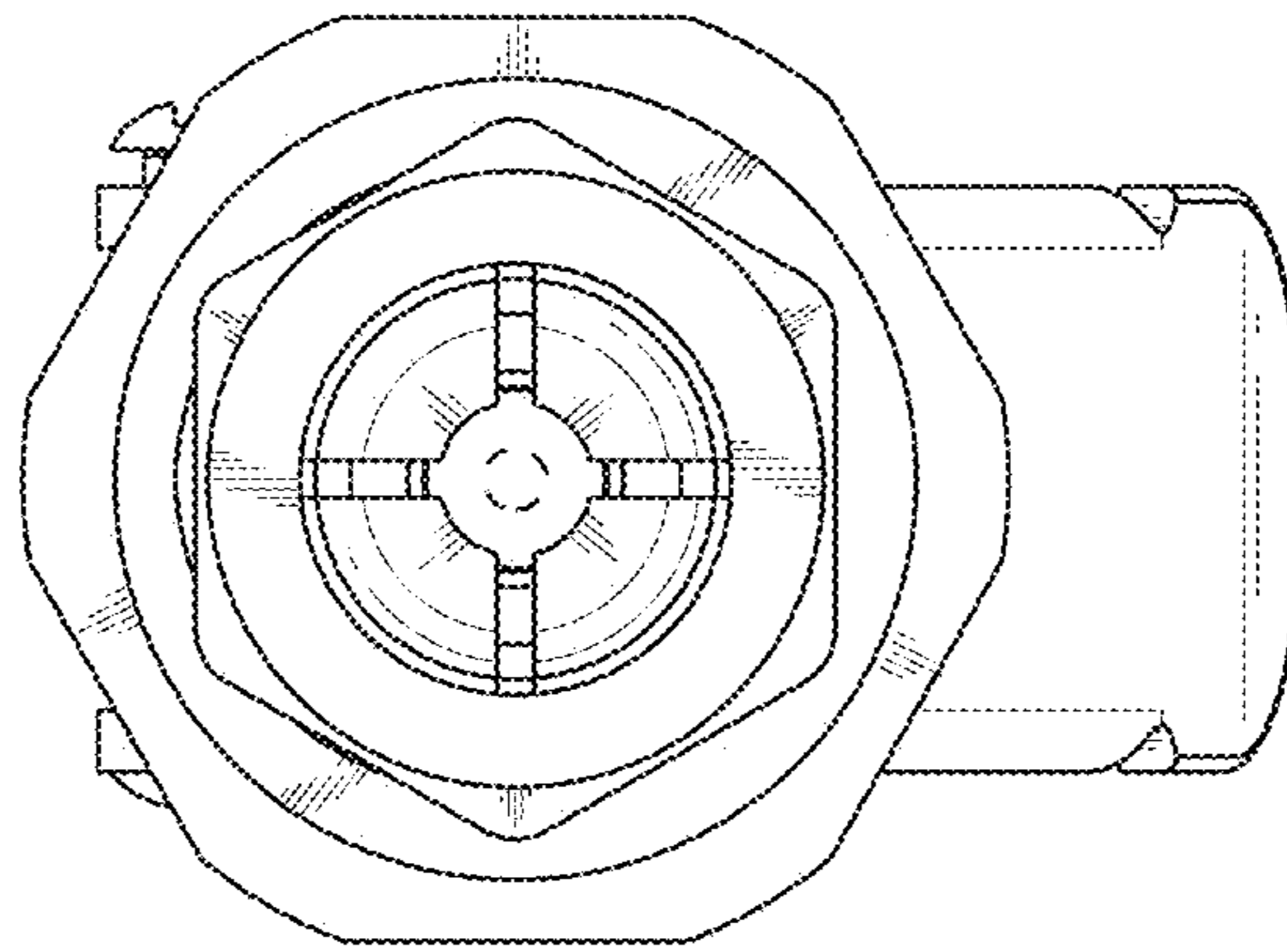
**Fig.4**



**Fig.5**



**Fig.6**



**Fig.7**