



US00D917677S

(12) **United States Design Patent**
Han

(10) **Patent No.:** **US D917,677 S**

(45) **Date of Patent:** **** Apr. 27, 2021**

(54) **PUSH TYPE QUICK RELEASE GREASE COUPLER**

(71) Applicant: **Huabing Han**, Hangzhou (CN)

(72) Inventor: **Huabing Han**, Hangzhou (CN)

(**) Term: **15 Years**

(21) Appl. No.: **29/678,616**

(22) Filed: **Jan. 30, 2019**

(51) **LOC (13) Cl.** **23-01**

(52) **U.S. Cl.**

USPC **D23/262**

(58) **Field of Classification Search**

USPC D8/14.1, 45, 382; D23/259, 262–263,
D23/265; D24/108, 112, 129, 135, 141;
137/539; 222/335, 470–474, 571;
184/28–29, 105.1–105.3; 285/305, 316,
285/322

CPC F16N 23/00

See application file for complete search history.

(56) **References Cited**

U.S. PATENT DOCUMENTS

- 1,637,326 A * 7/1927 Murphy F16N 3/12
141/353
- 1,651,218 A * 11/1927 Murphy F16N 21/04
184/105.3
- 1,685,408 A * 9/1928 Murphy F16N 21/04
141/352
- 1,763,062 A * 6/1930 Murphy F16N 3/12
141/18
- 1,796,827 A * 3/1931 Butler F16N 21/04
141/351

- 1,810,426 A * 6/1931 Rapellin F16N 3/12
184/105.2
- 1,847,357 A * 3/1932 Murphy F16N 3/12
141/353
- 1,937,982 A * 12/1933 Rudolph F16L 37/113
285/9.2
- 2,070,013 A * 2/1937 Krannak F16L 37/127
285/316
- D354,133 S * 1/1995 Scavitto D23/262
- D419,236 S * 1/2000 Carlson D24/112
- D485,616 S * 1/2004 Baillargeon D24/129
- D748,779 S * 2/2016 Bast D24/133

* cited by examiner

Primary Examiner — Amy C Wierenga

(74) *Attorney, Agent, or Firm* — Erson IP (Nelson IP)

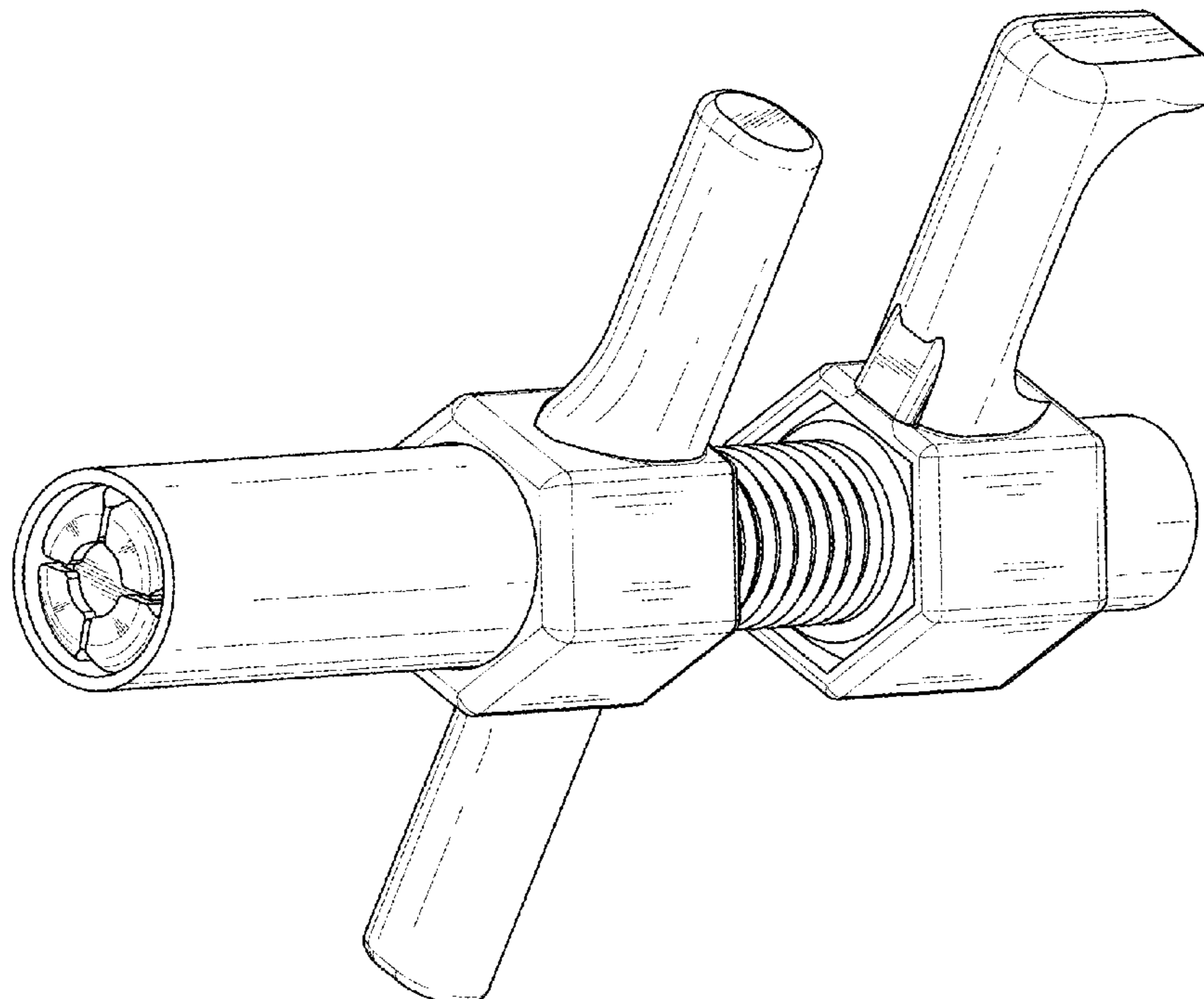
(57) **CLAIM**

The ornamental design for a push type quick release grease coupler, as shown and described.

DESCRIPTION

FIG. 1 is a perspective view of a push type quick release grease coupler showing my new design;
 FIG. 2 is a front view thereof;
 FIG. 3 is a rear view thereof;
 FIG. 4 is a left side view thereof;
 FIG. 5 is a right side view thereof;
 FIG. 6 is a top plan view thereof; and,
 FIG. 7 is a bottom plan, view thereof.
 The broken lines are for the purposes of, illustrating portions of, the push type quick release grease coupler and form no part of the claimed design.

1 Claim, 7 Drawing Sheets



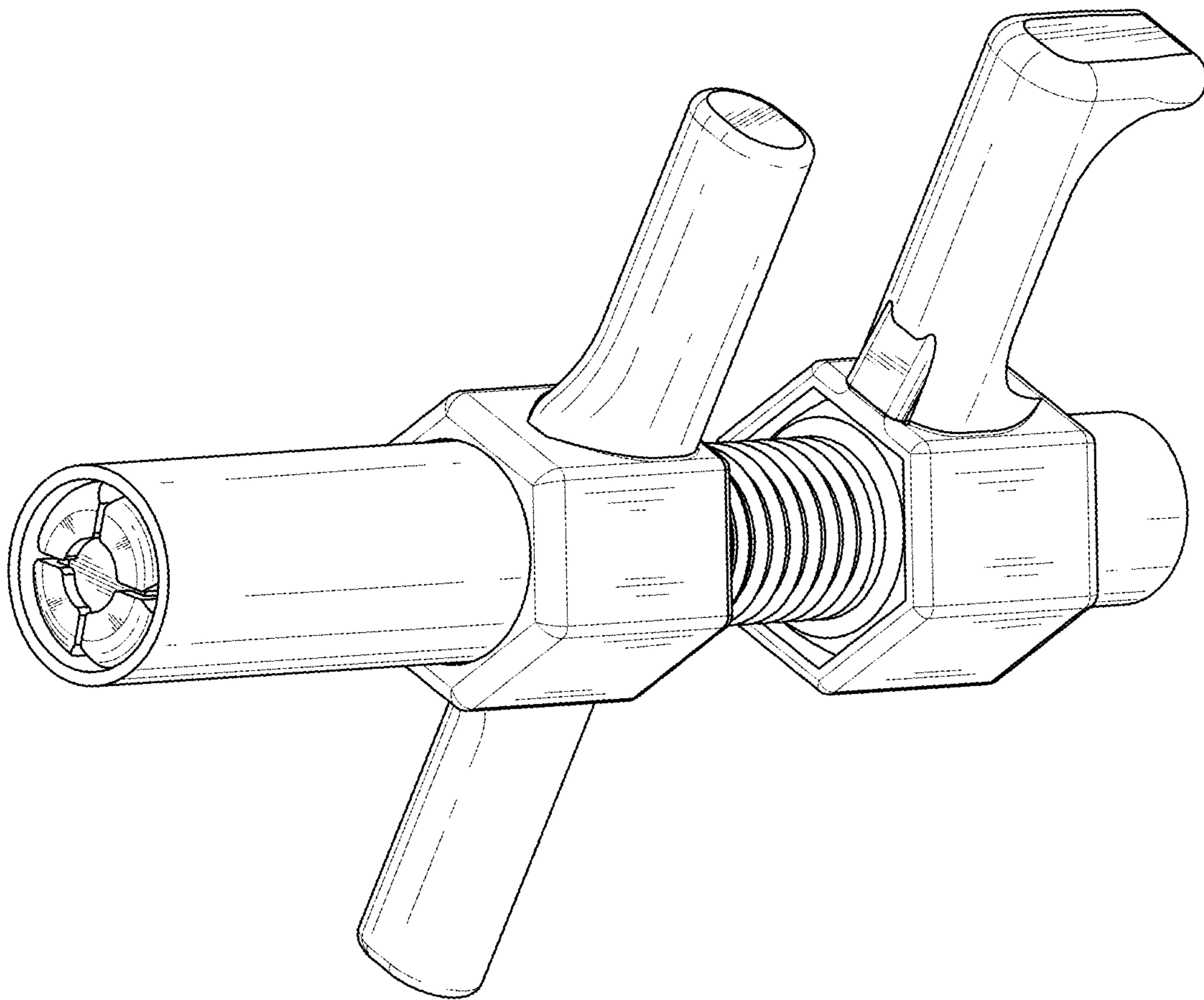


Fig.1

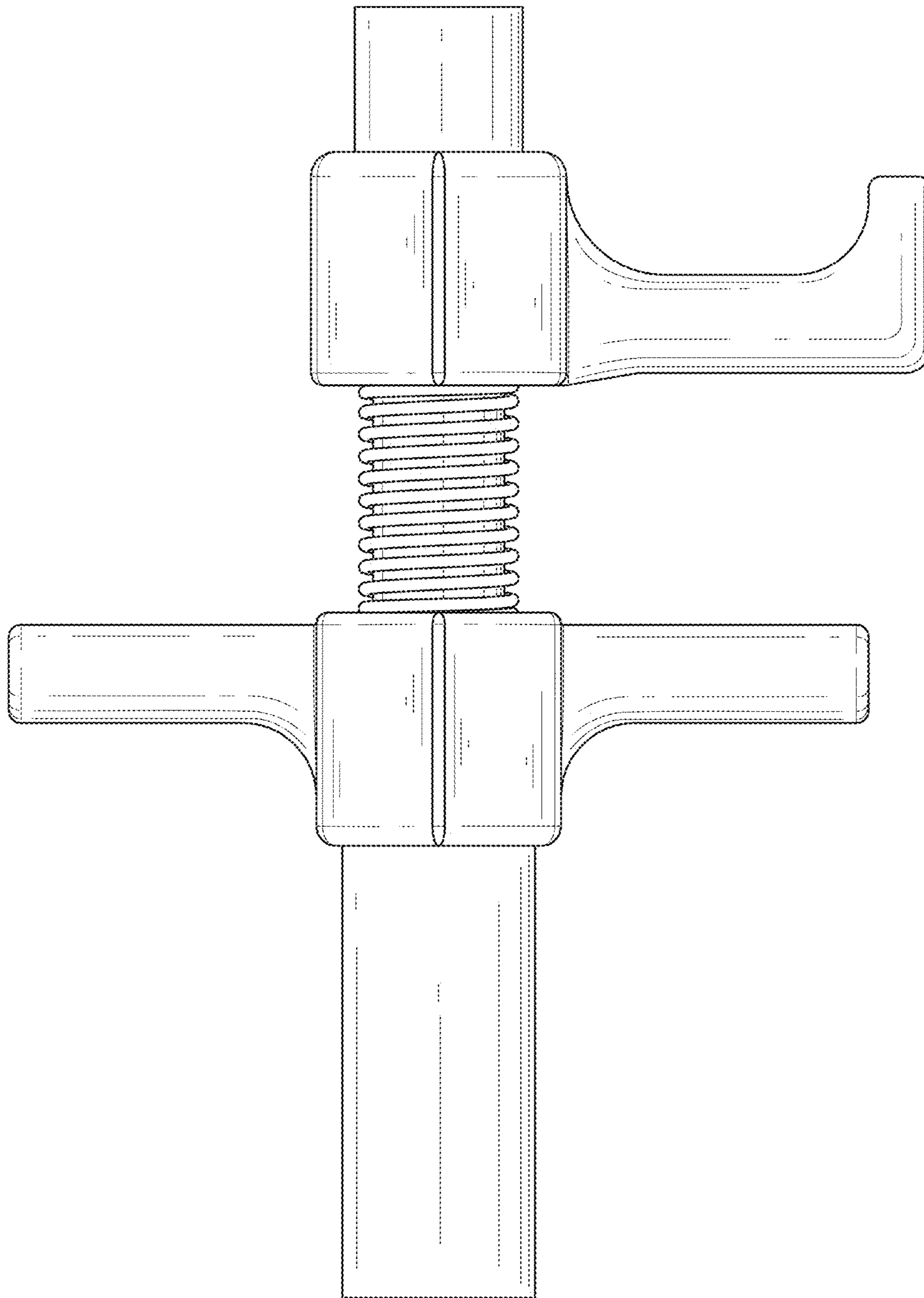


Fig.2

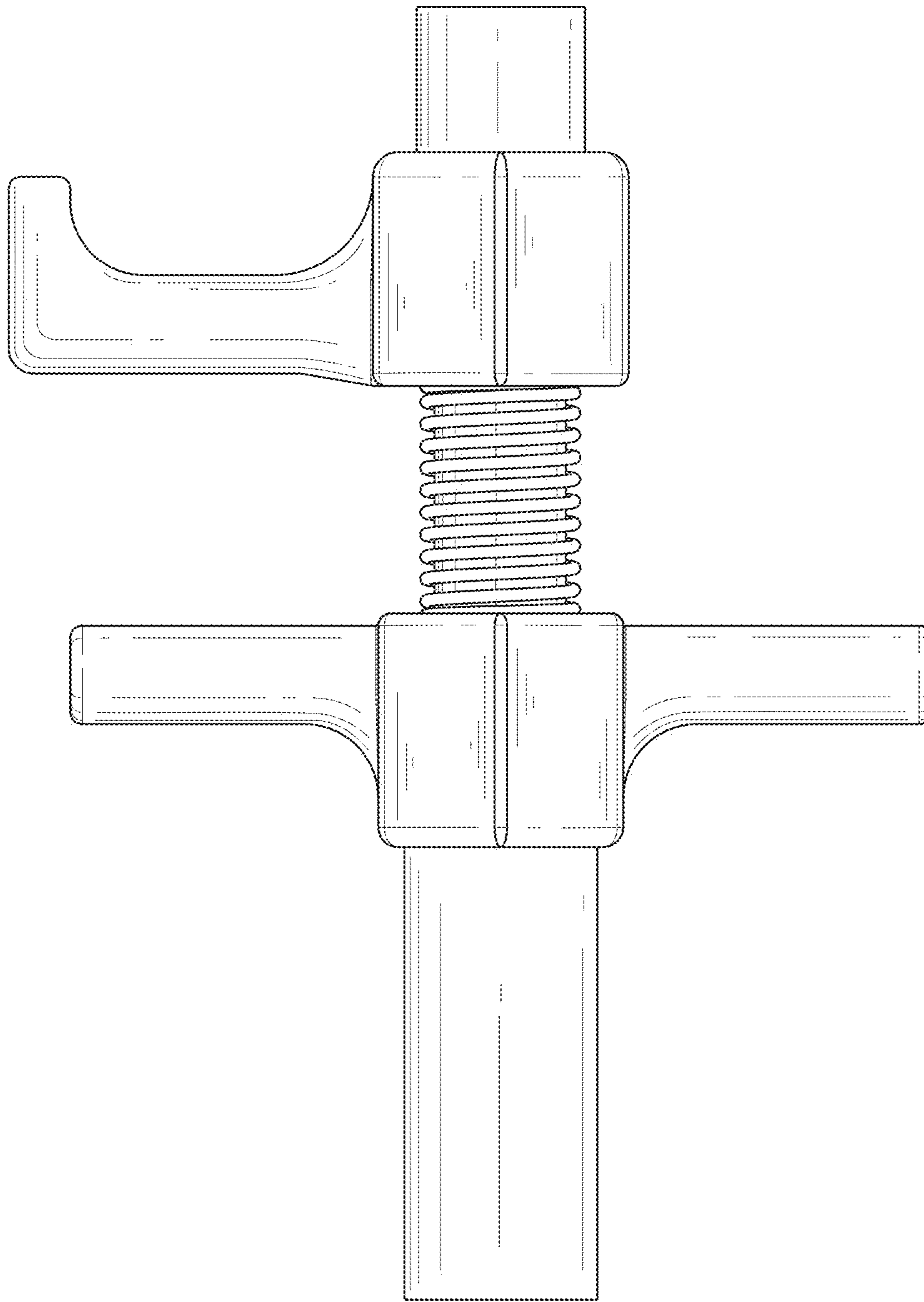


Fig.3

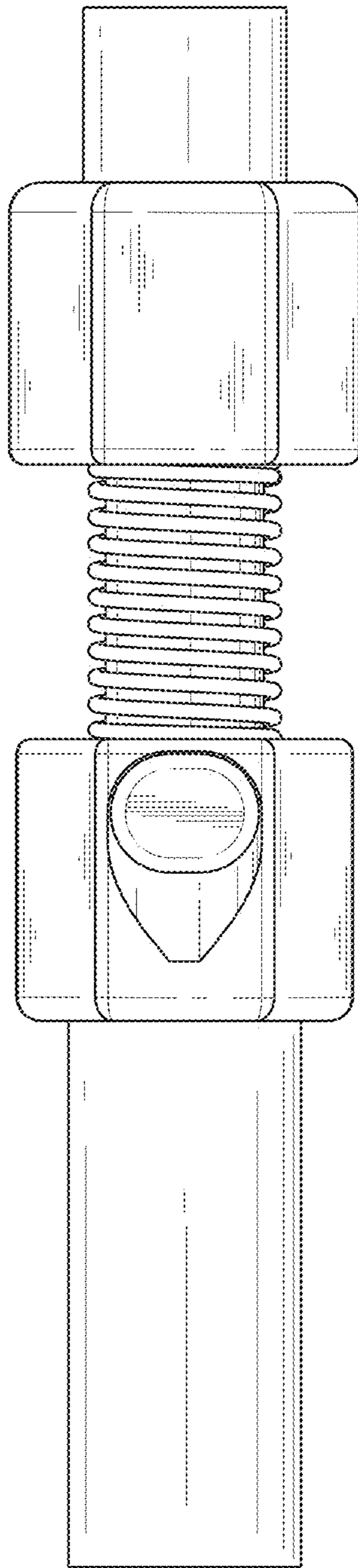


Fig.4

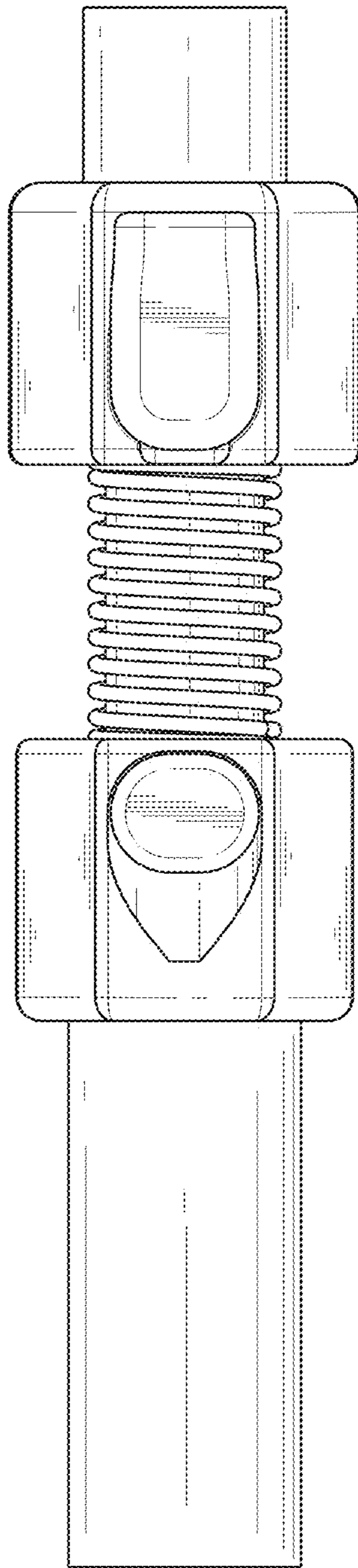


Fig.5

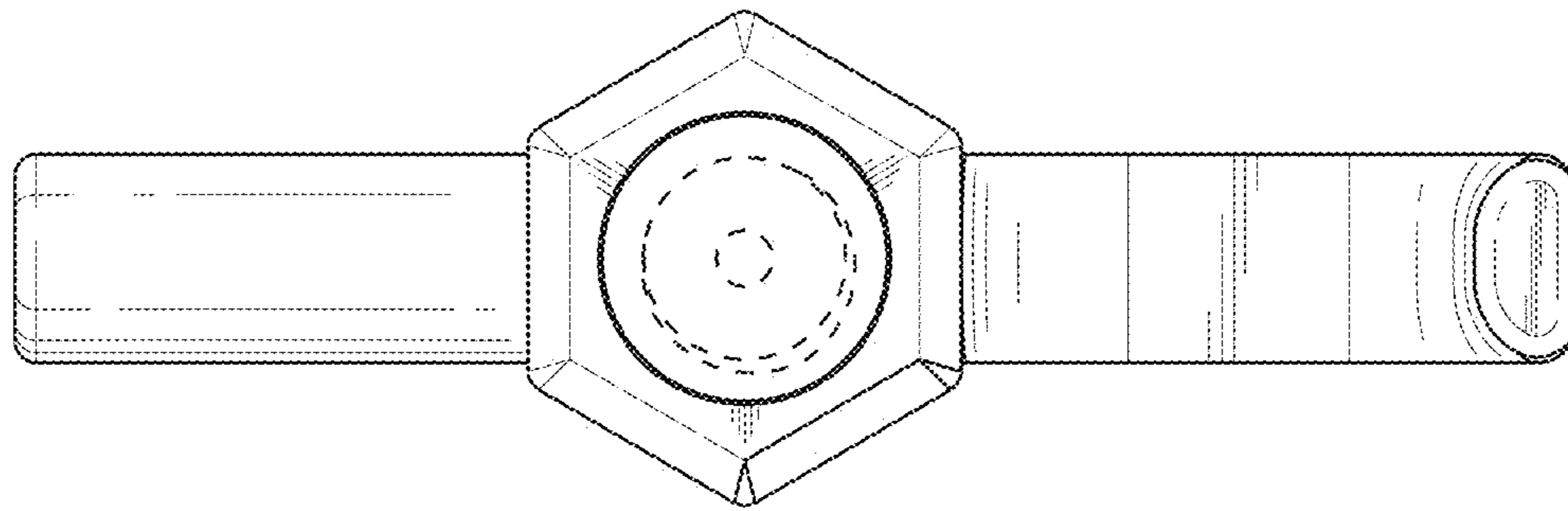


Fig.6

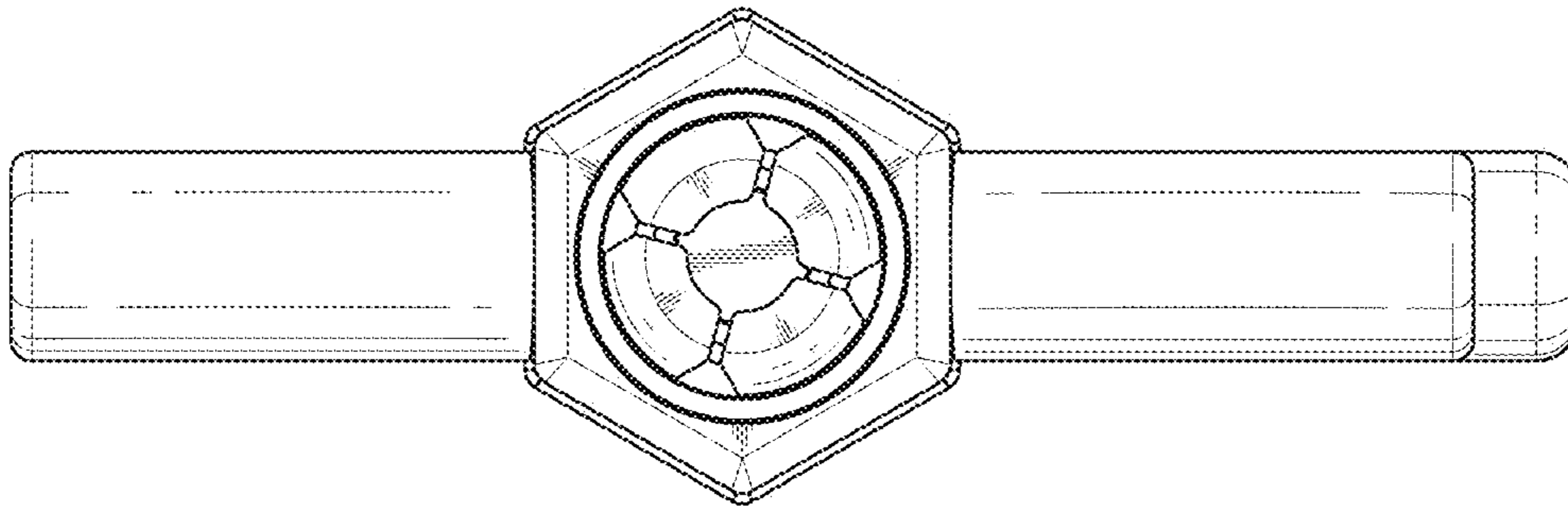


Fig. 7