



US00D917676S

(12) **United States Design Patent**
Freeman

(10) **Patent No.:** **US D917,676 S**
(45) **Date of Patent:** **** Apr. 27, 2021**

(54) **SKIMMER BOX LID MOULD KIT UNIT ASSEMBLY**

(71) Applicant: **SKIMMER LIDS PTY LTD.**, Biggera Waters (AU)

(72) Inventor: **William Geoffrey Freeman**, Southport (AU)

(73) Assignee: **SKIMMER LIDS PTY LTD.**, Biggera Waters (AU)

(**) Term: **15 Years**

(21) Appl. No.: **29/703,809**

(22) Filed: **Aug. 29, 2019**

(30) **Foreign Application Priority Data**

Mar. 20, 2019 (AU) 201911494

Mar. 20, 2019 (AU) 201911497

Mar. 20, 2019 (AU) 201911499

(51) **LOC (13) Cl.** **23-01**

(52) **U.S. Cl.**
USPC **D23/259; D23/207**

(58) **Field of Classification Search**
USPC D23/203-209, 233-235, 259-263, 322,
D23/386-387, 393, 499; 210/167.1,
(Continued)

(56) **References Cited**

U.S. PATENT DOCUMENTS

3,831,897 A * 8/1974 Stegmeier E04H 4/1272
249/1

D309,341 S * 7/1990 Breadmont D23/200
(Continued)

Primary Examiner — Amy C Wierenga

(74) *Attorney, Agent, or Firm* — Cozen O'Connor

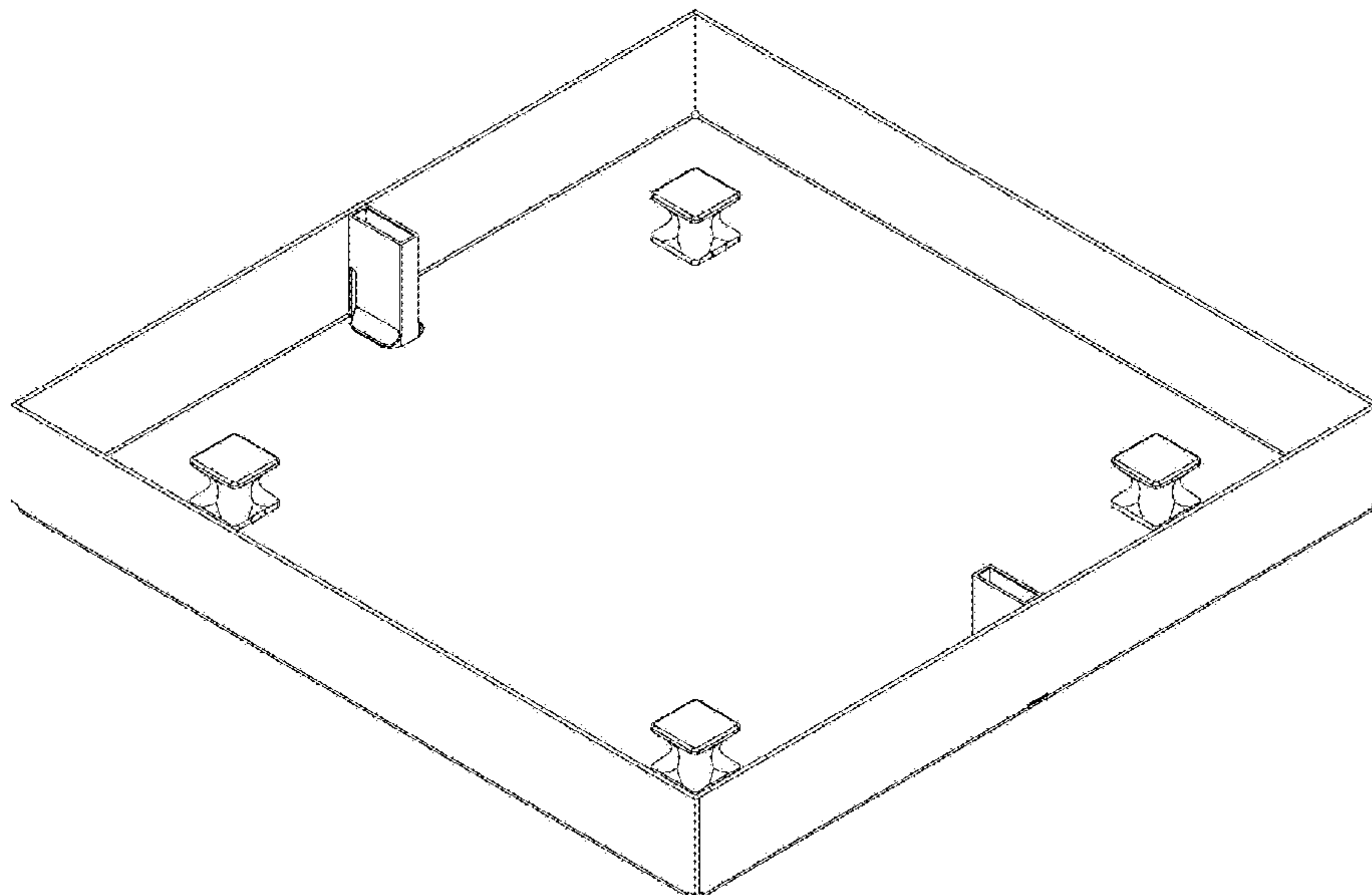
(57) **CLAIM**

The ornamental design for a skimmer box lid mould kit unit assembly, as shown and described.

DESCRIPTION

FIG. 1 is a top perspective view of the skimmer box lid mould kit unit assembly;
FIG. 2 is a back view thereof;
FIG. 3 is a bottom view thereof;
FIG. 4 is an exploded back view thereof;
FIG. 5 is an exploded bottom view thereof;
FIG. 6 is an exploded front view thereof;
FIG. 7 is an exploded left side view thereof;
FIG. 8 is an exploded right side view thereof;
FIG. 9 is an exploded top perspective view thereof;
FIG. 10 is a front view thereof;
FIG. 11 is a left side view thereof;
FIG. 12 is a right side view thereof;
FIG. 13 is a top view thereof;
FIG. 14 is a top perspective view of a slot former for the skimmer box lid mould kit unit assembly;
FIG. 15 is a back view thereof;
FIG. 16 is a bottom perspective view thereof;
FIG. 17 is a bottom view thereof;
FIG. 18 is a front view thereof;
FIG. 19 is a left side view;
FIG. 20 is a right side view;
FIG. 21 is a top view;
FIG. 22 is a top perspective view of a retention plug for the skimmer box lid mould kit unit assembly;
FIG. 23 is a back view thereof;
FIG. 24 is a bottom perspective view thereof;
FIG. 25 is a bottom view thereof;
FIG. 26 is a front view thereof;
FIG. 27 is a left side view thereof;
FIG. 28 is a right side view thereof; and,
FIG. 29 is a top view thereof.

1 Claim, 29 Drawing Sheets



(58) **Field of Classification Search**

USPC 210/167.11–167.12, 167.15, 167.16,
210/167.18; 4/293, 496, 501, 507,
4/510–512; 137/296, 312–313, 565.37;
D32/15, 25
CPC F16B 21/04
See application file for complete search history.

(56) **References Cited**

U.S. PATENT DOCUMENTS

D365,381 S * 12/1995 Hoepfner D23/209
6,979,401 B1 * 12/2005 Porter A01K 63/04
210/170.09
RE43,717 E * 10/2012 DeForte D23/386
2009/0120856 A1 * 5/2009 Meagher A01K 29/00
210/167.1
2009/0159516 A1 * 6/2009 Andrei E04H 4/1272
210/167.12
2014/0231324 A1 * 8/2014 Griffin E04H 4/1272
210/167.19
2017/0175410 A1 * 6/2017 Smith E04H 4/1272

* cited by examiner

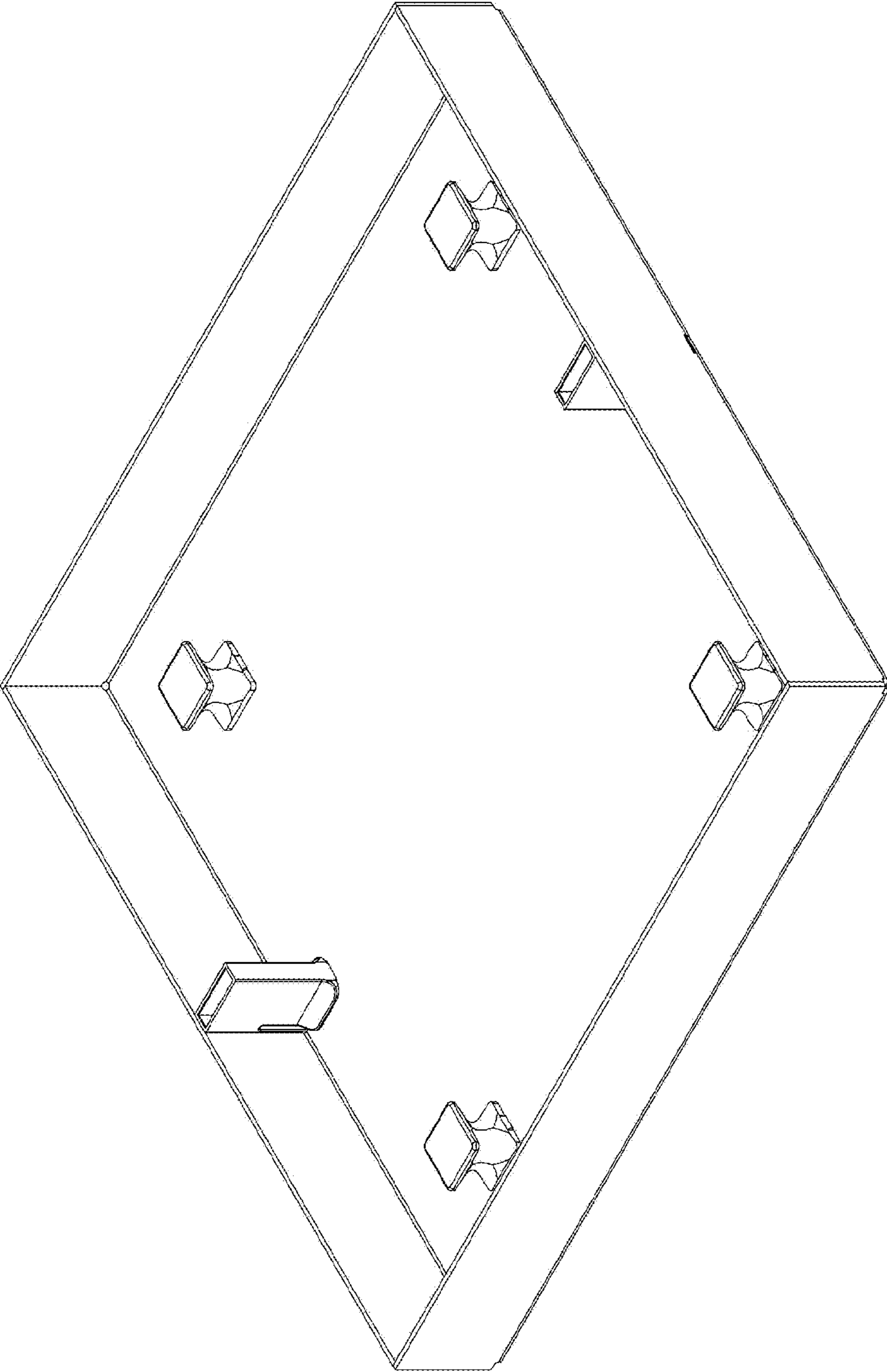


Fig. 1

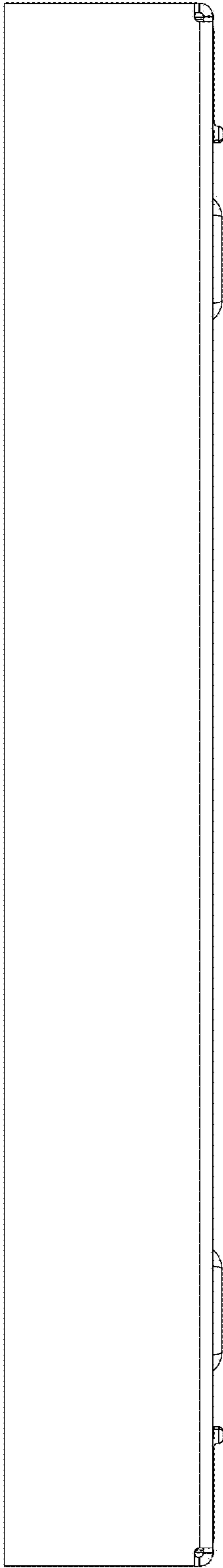


Fig. 2

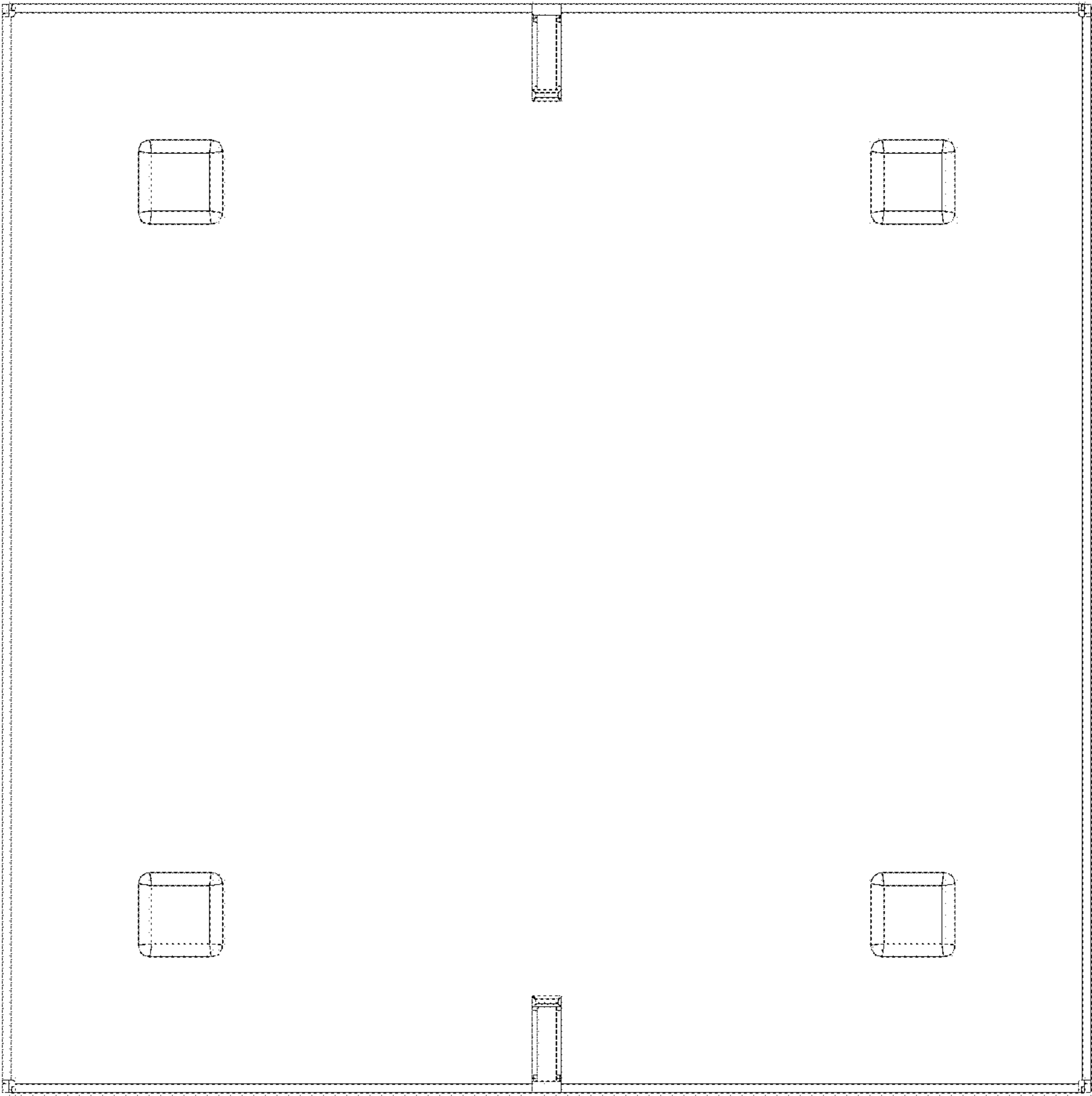


Fig. 3

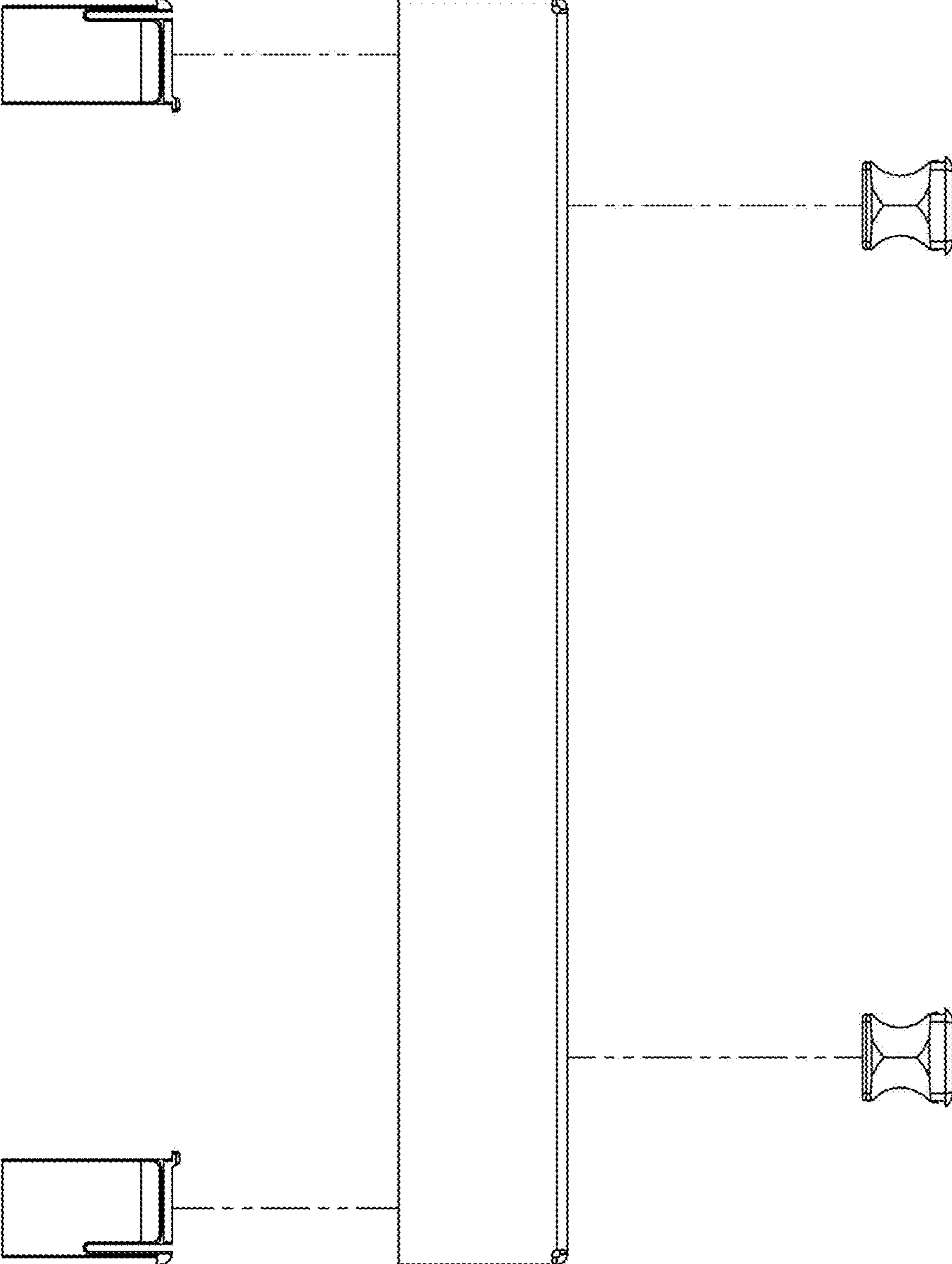


Fig. 4

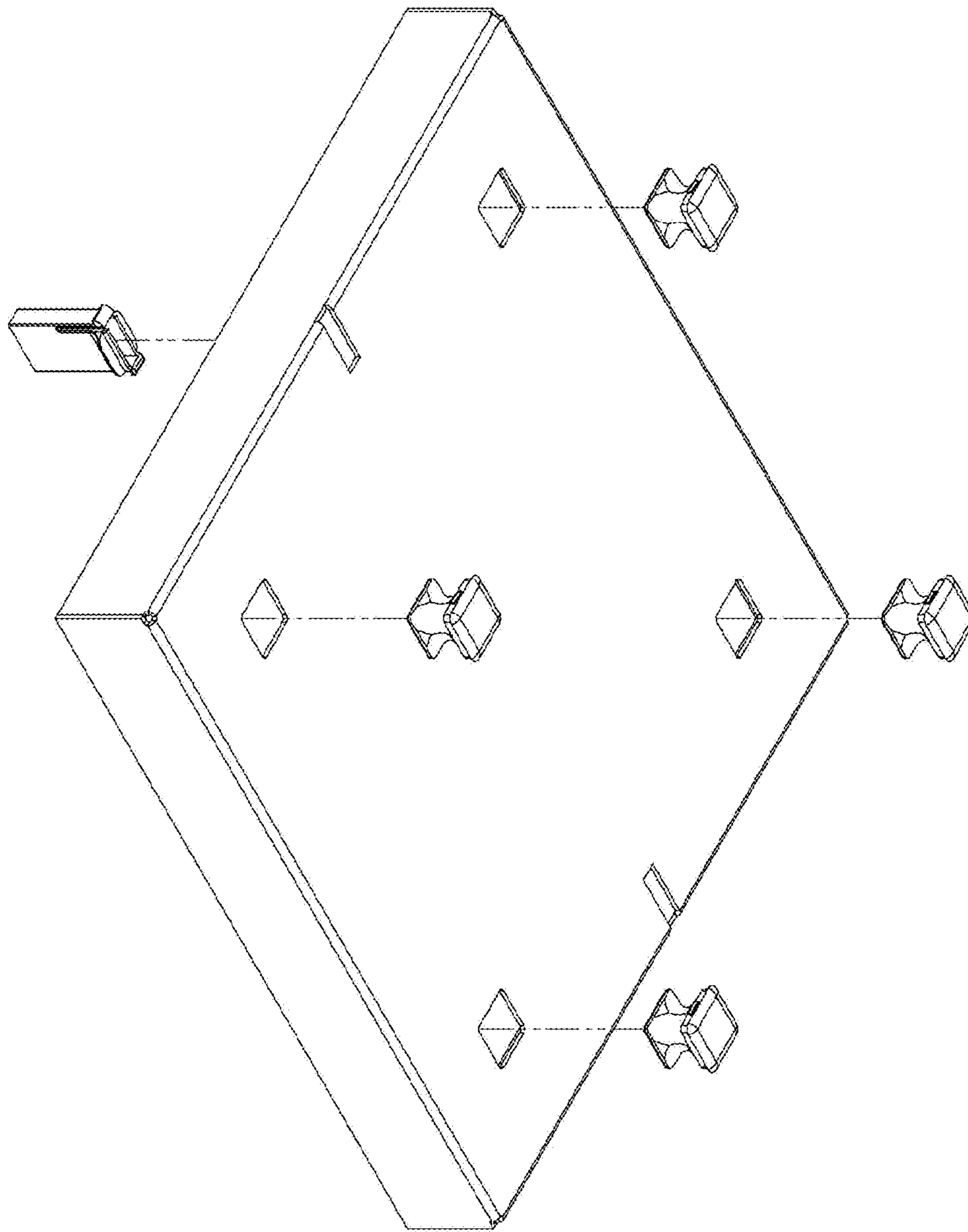


Fig. 5

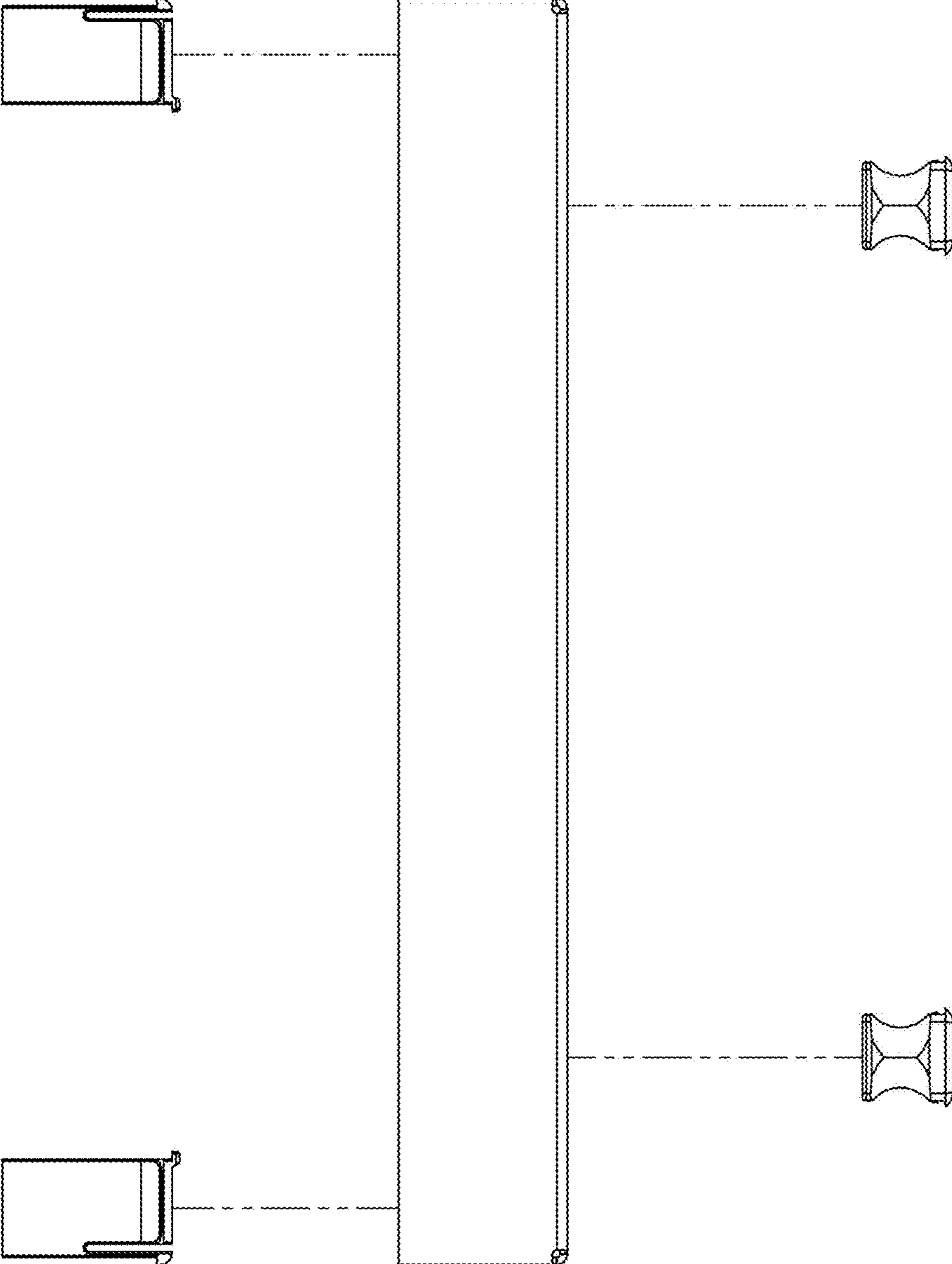


Fig. 6

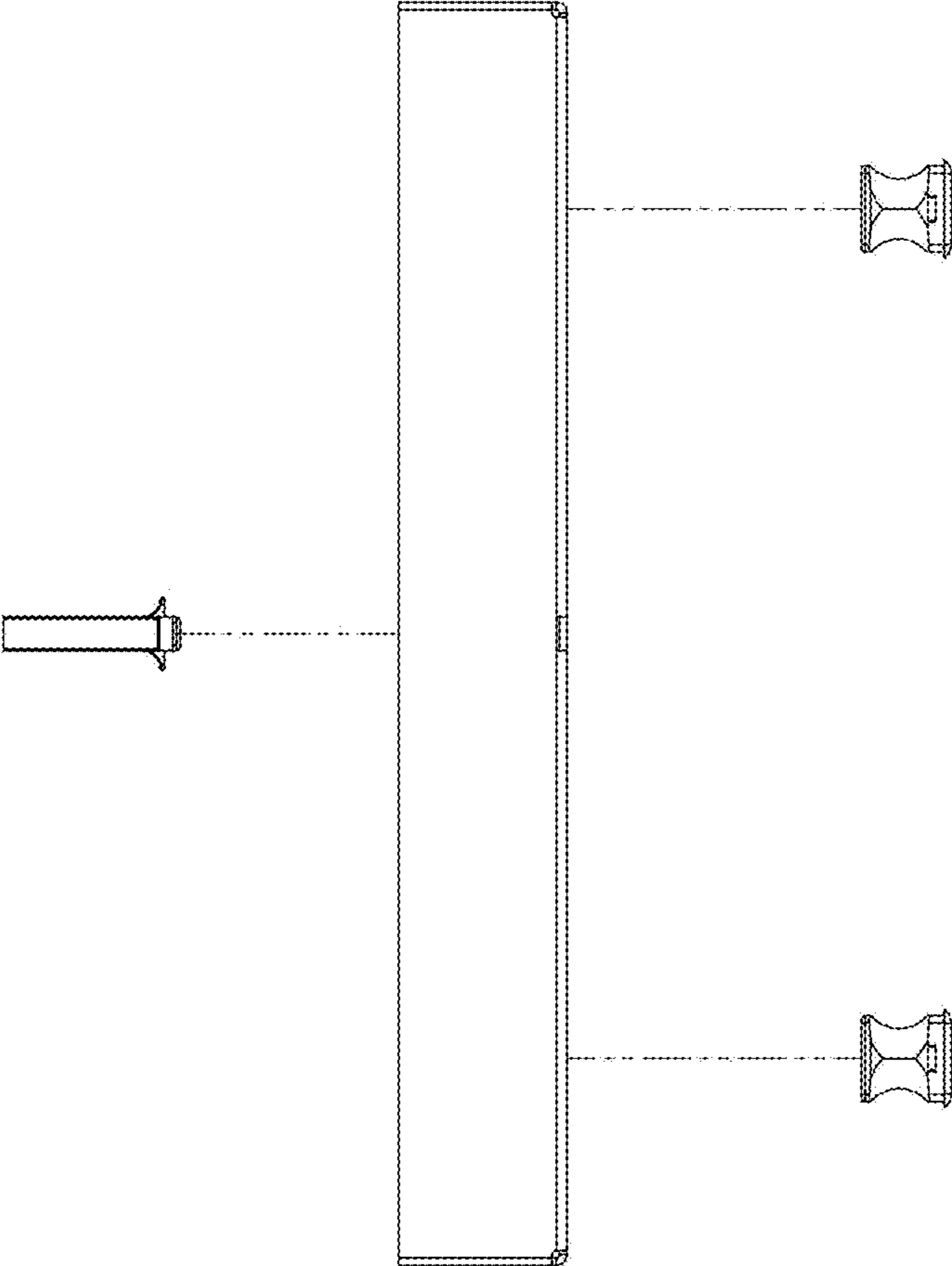


Fig. 7

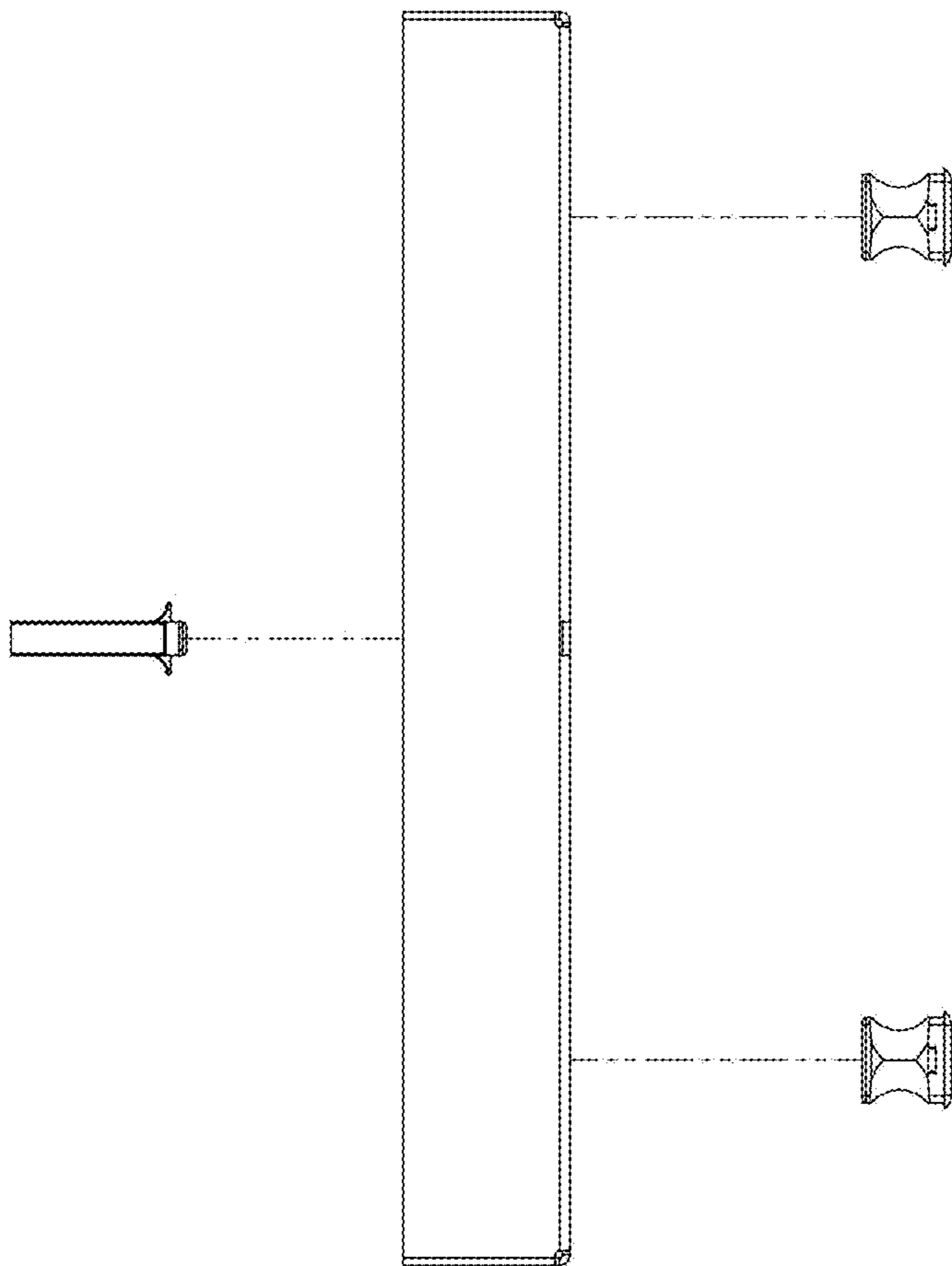


Fig. 8

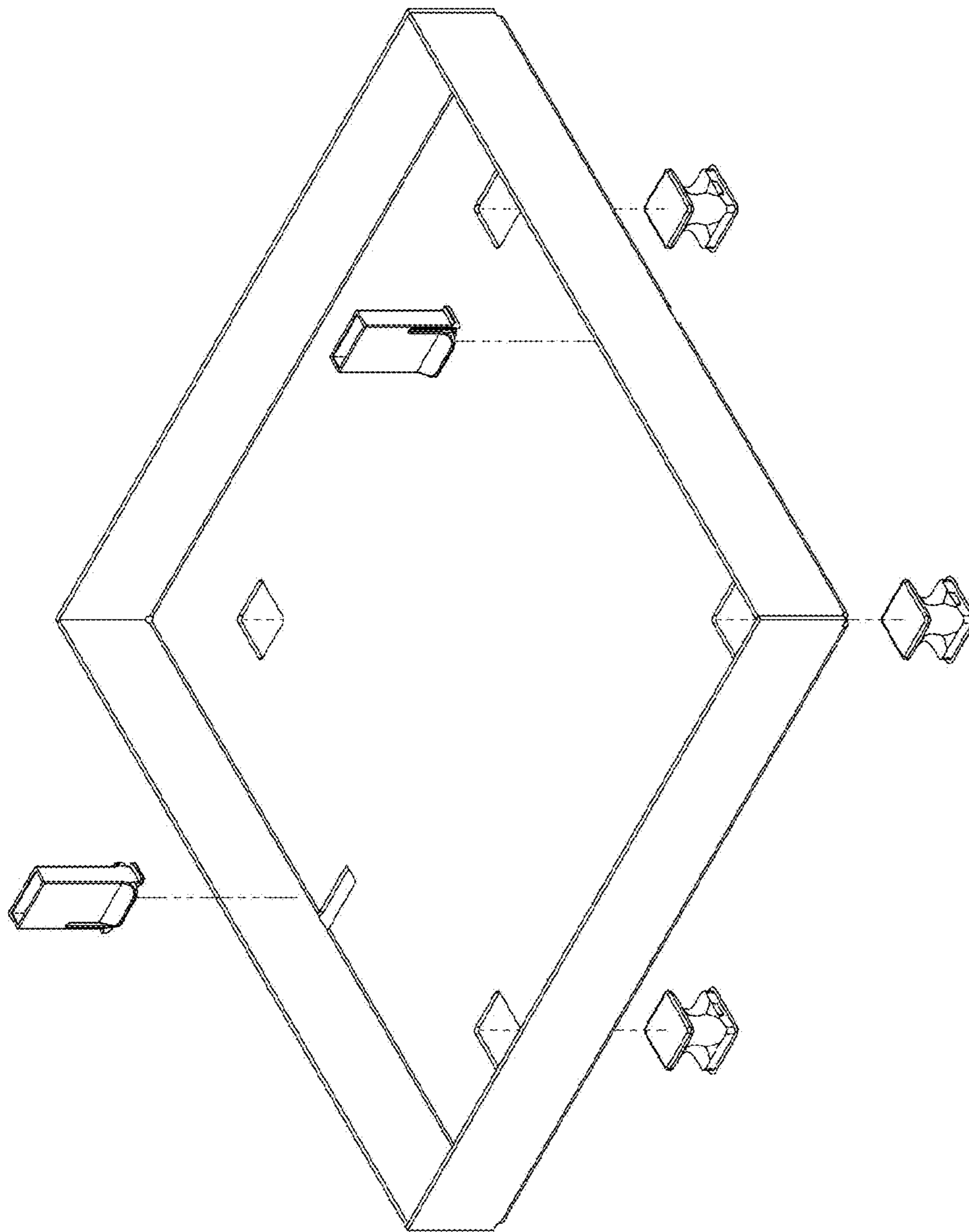


Fig. 9

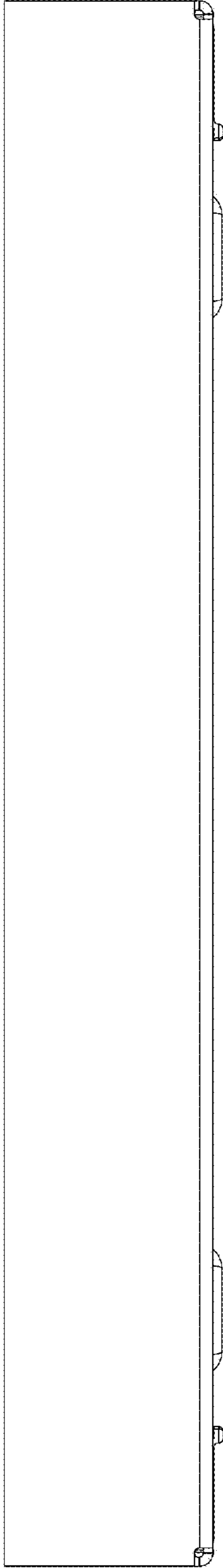


Fig. 10

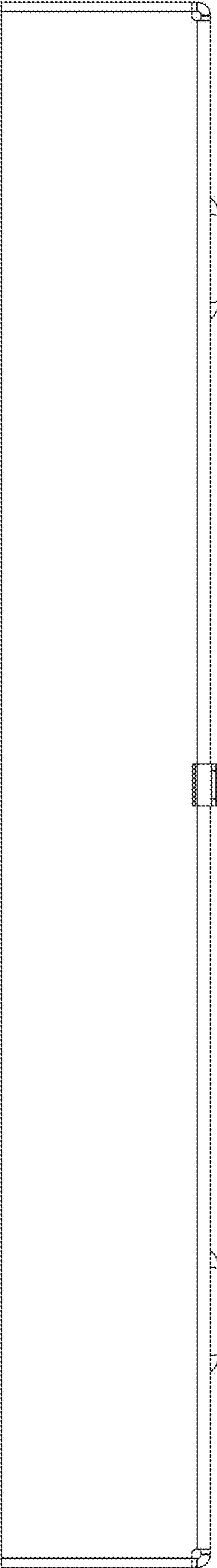


Fig. 11

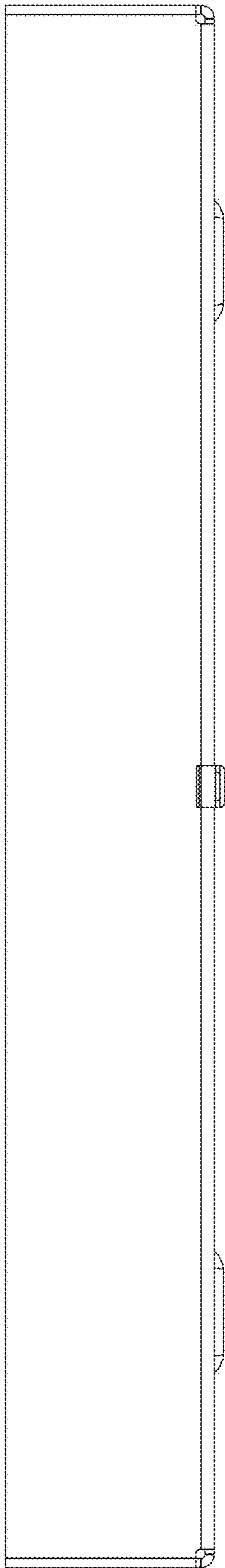


Fig. 12

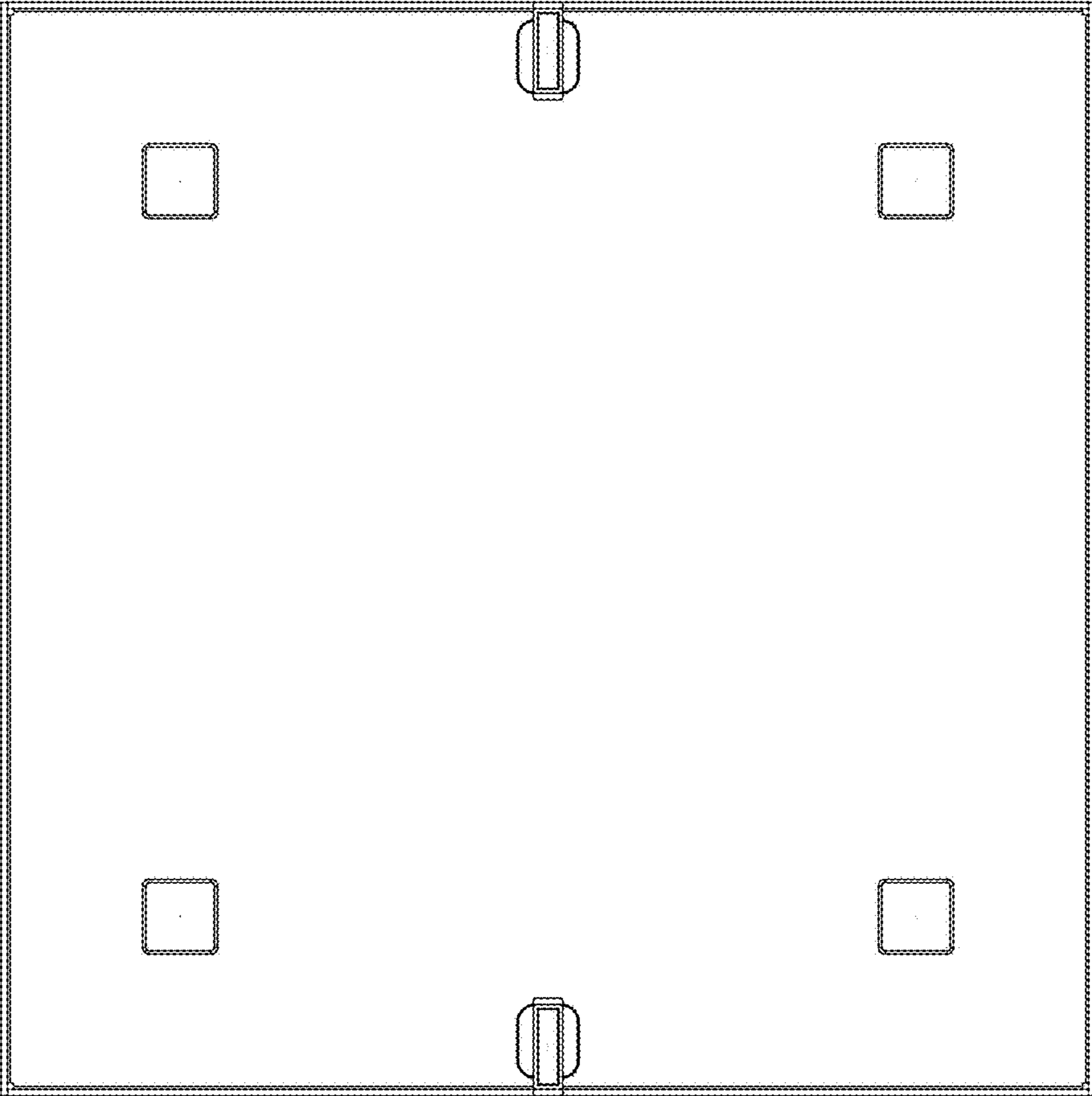


Fig. 13

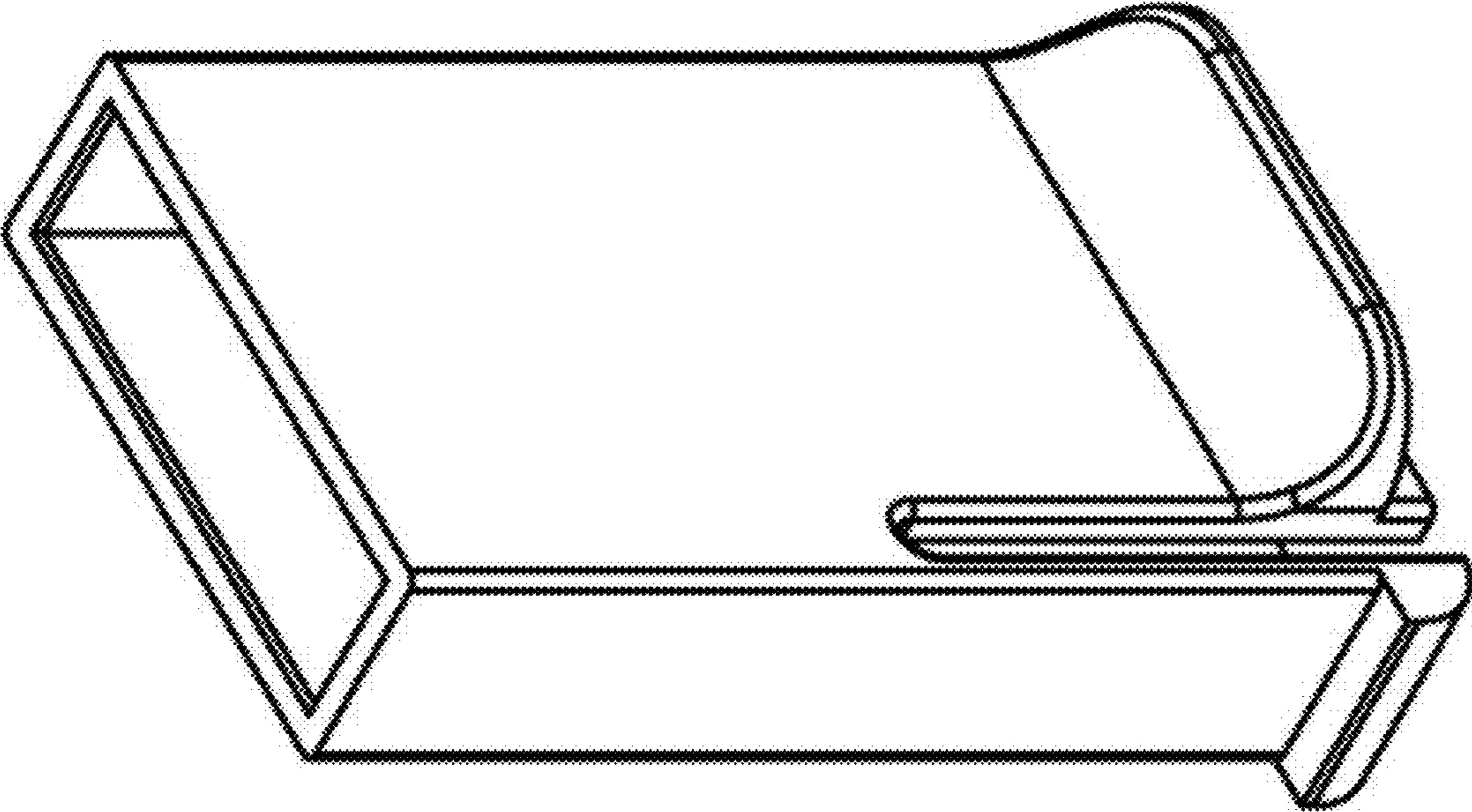


Fig. 14

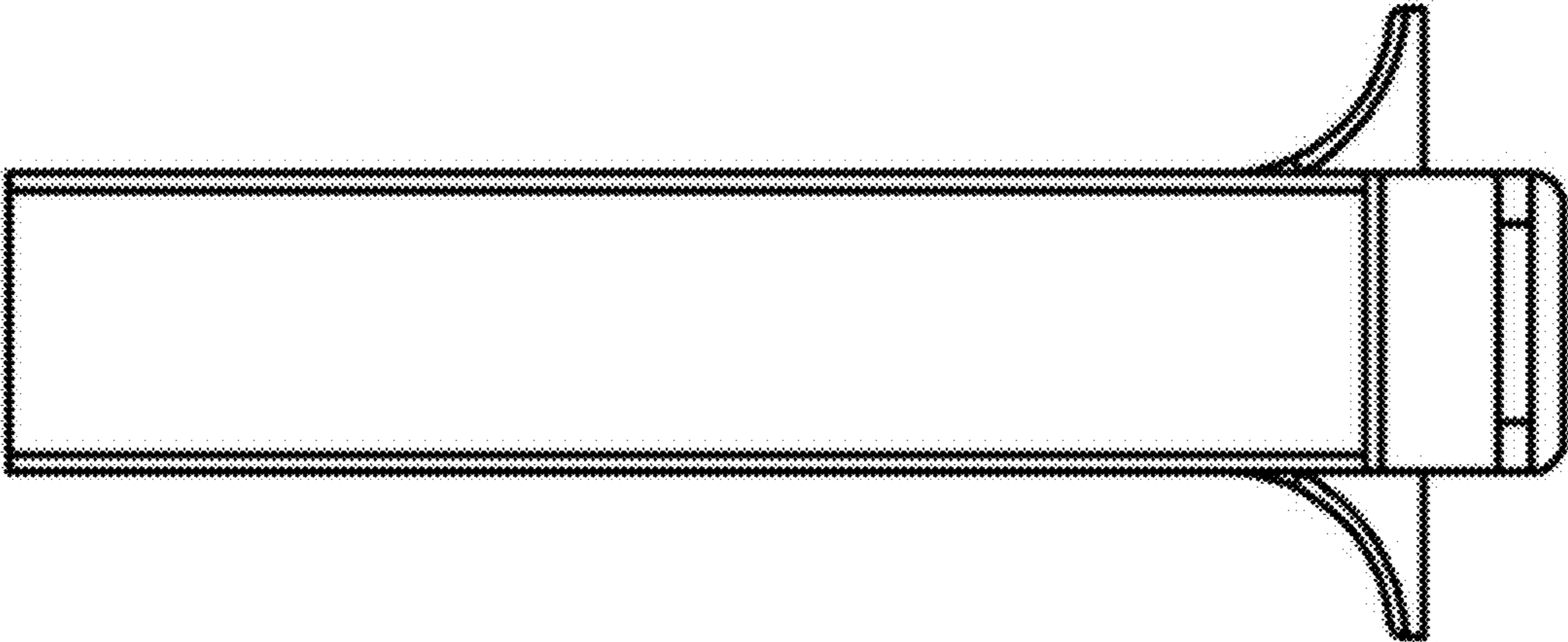


Fig. 15

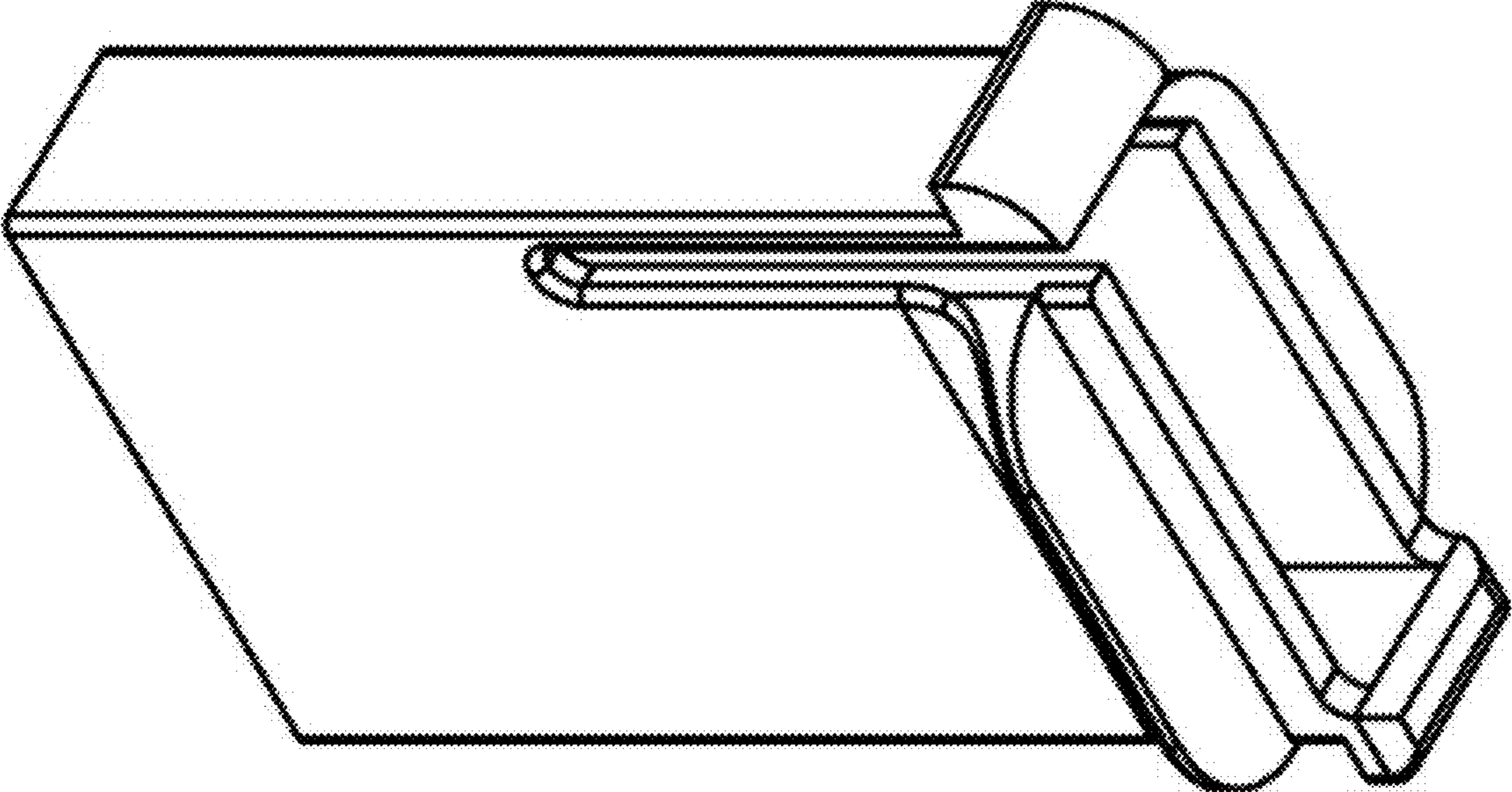


Fig. 16

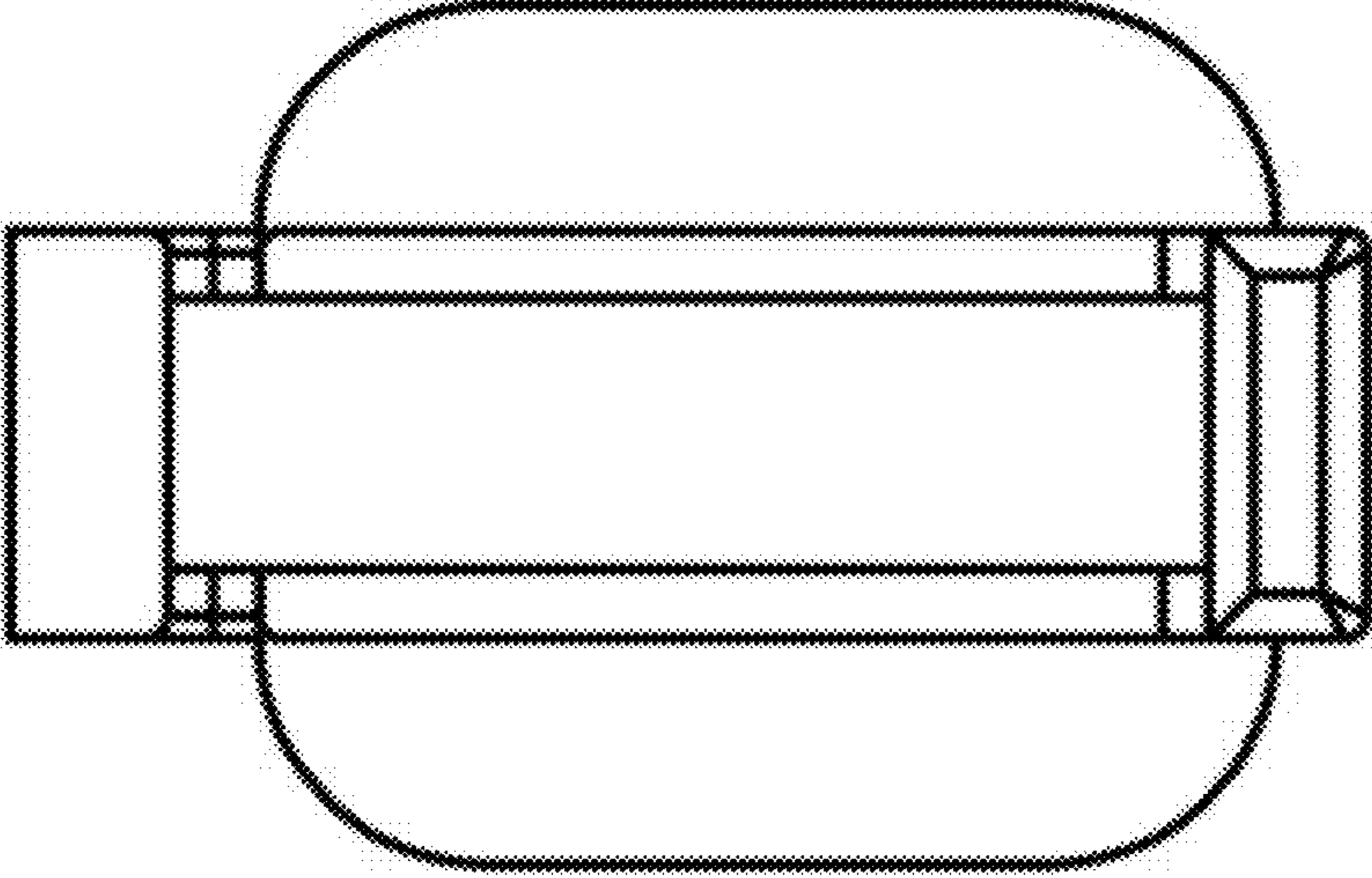


Fig. 17

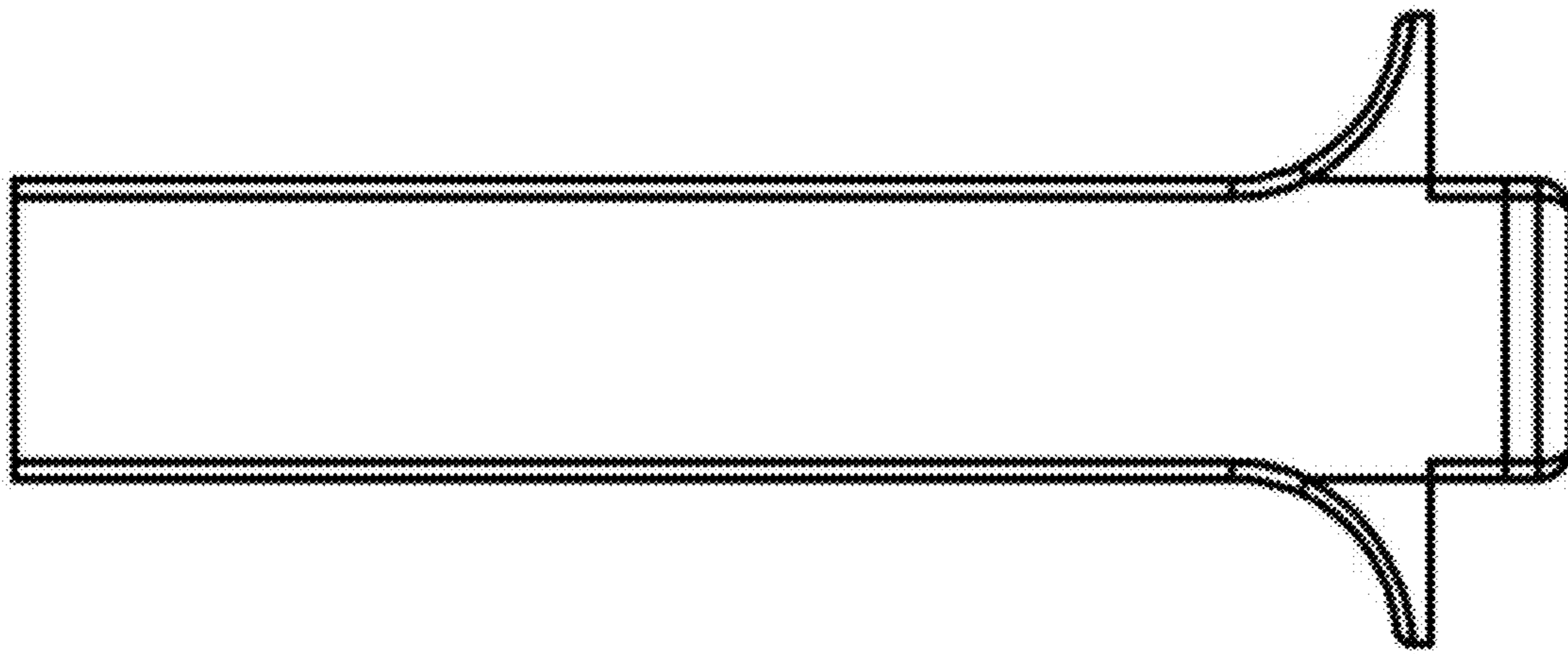


Fig. 18

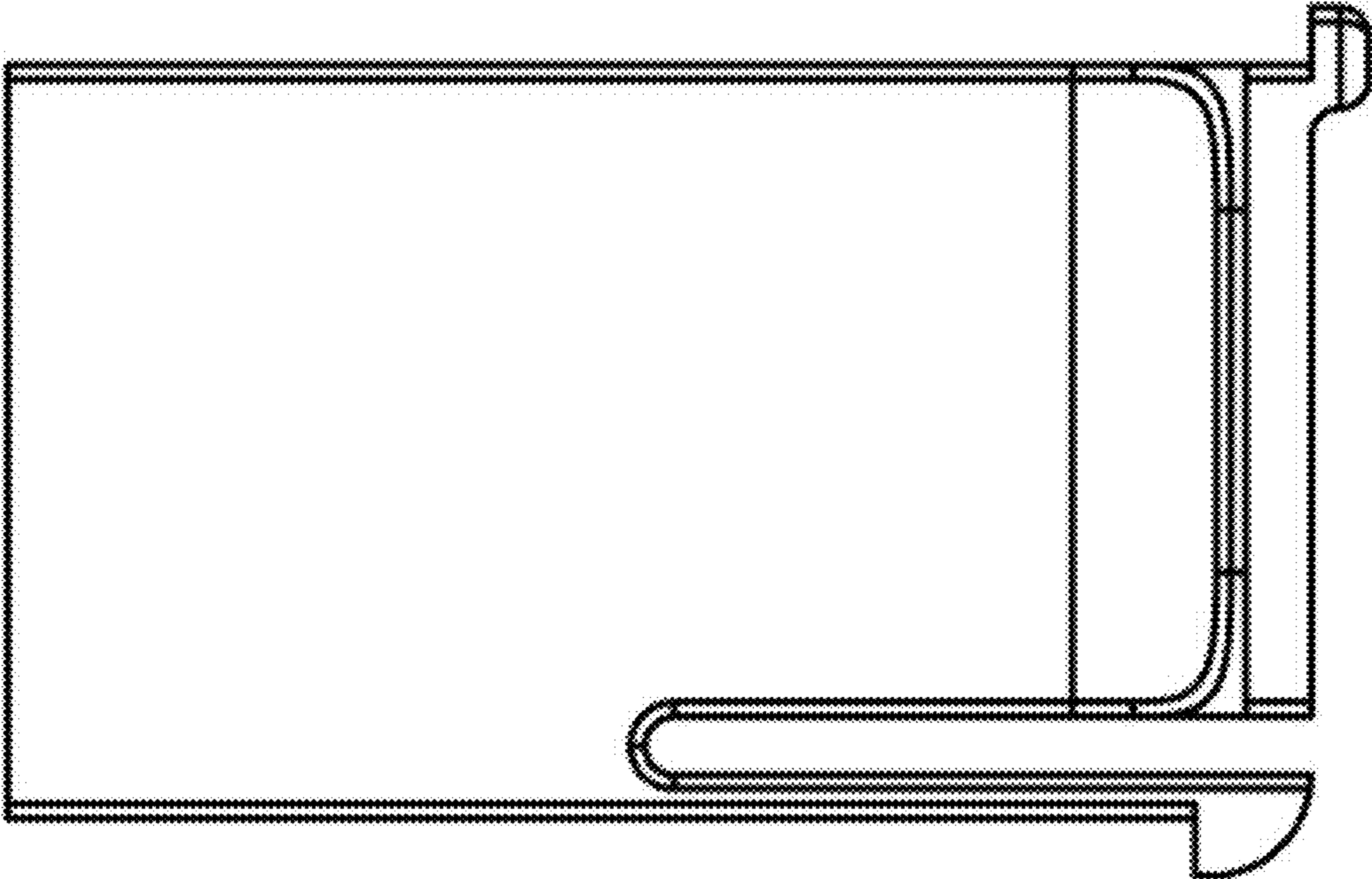


Fig. 19

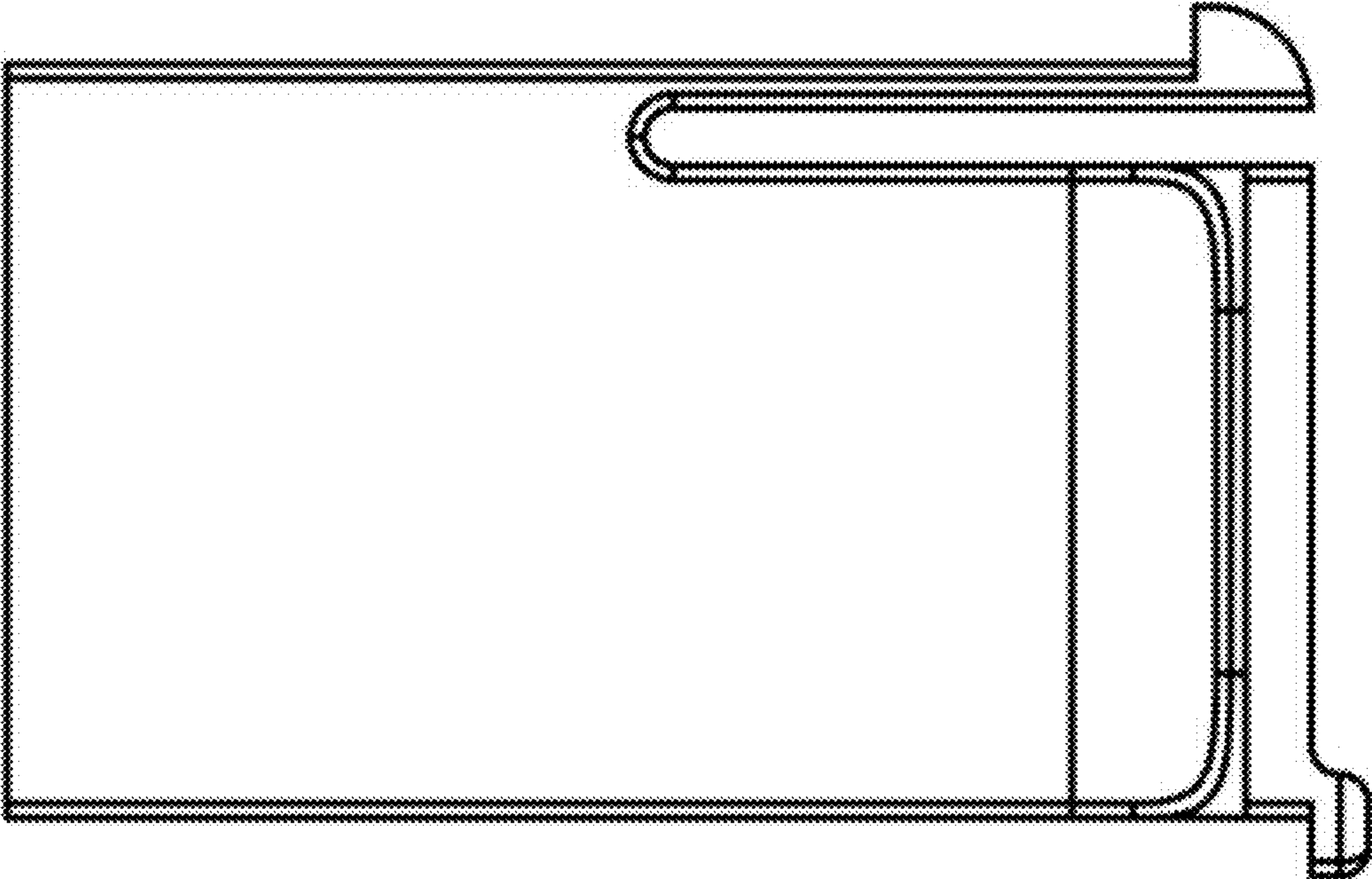


Fig. 20

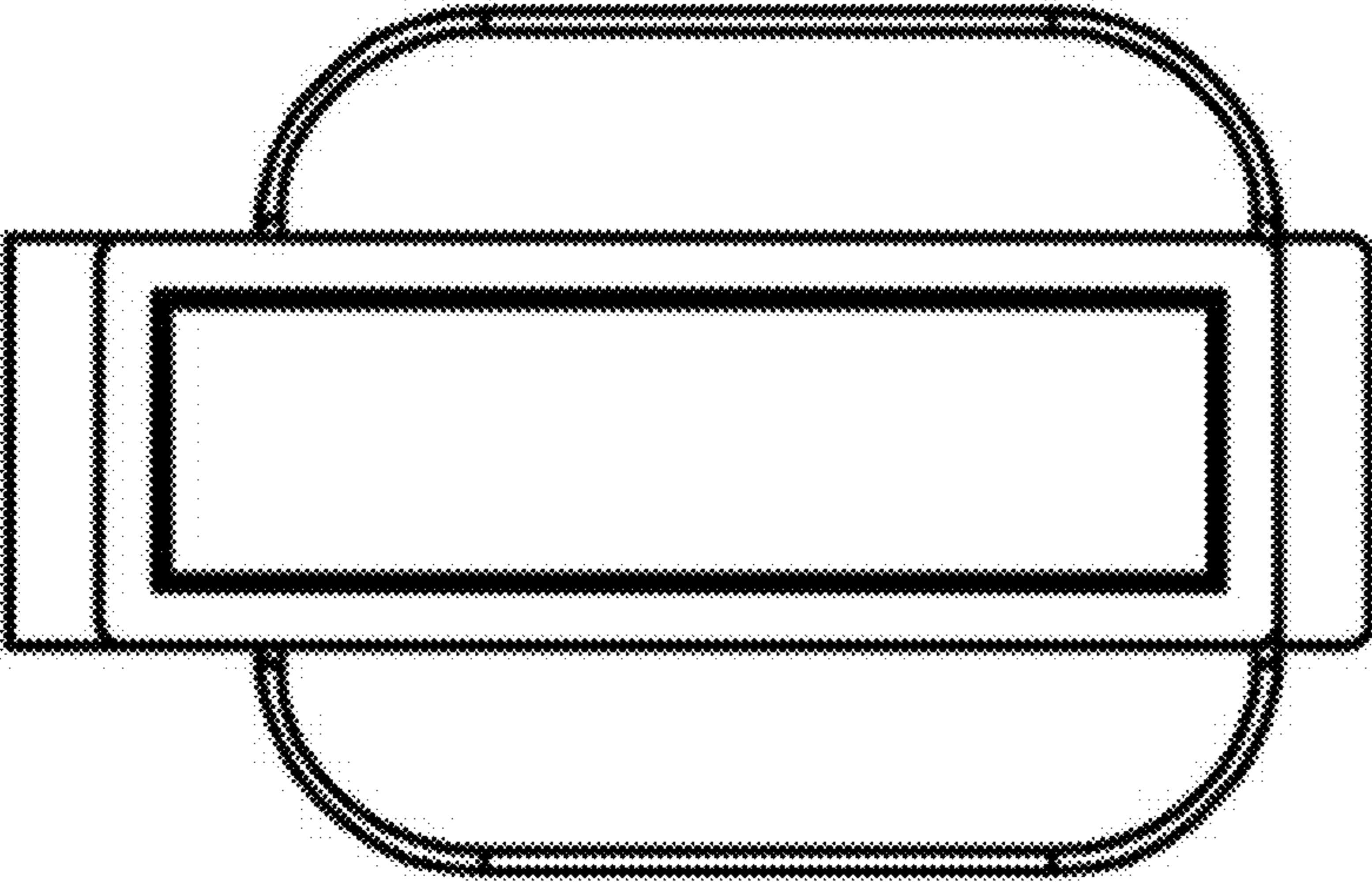


Fig. 21

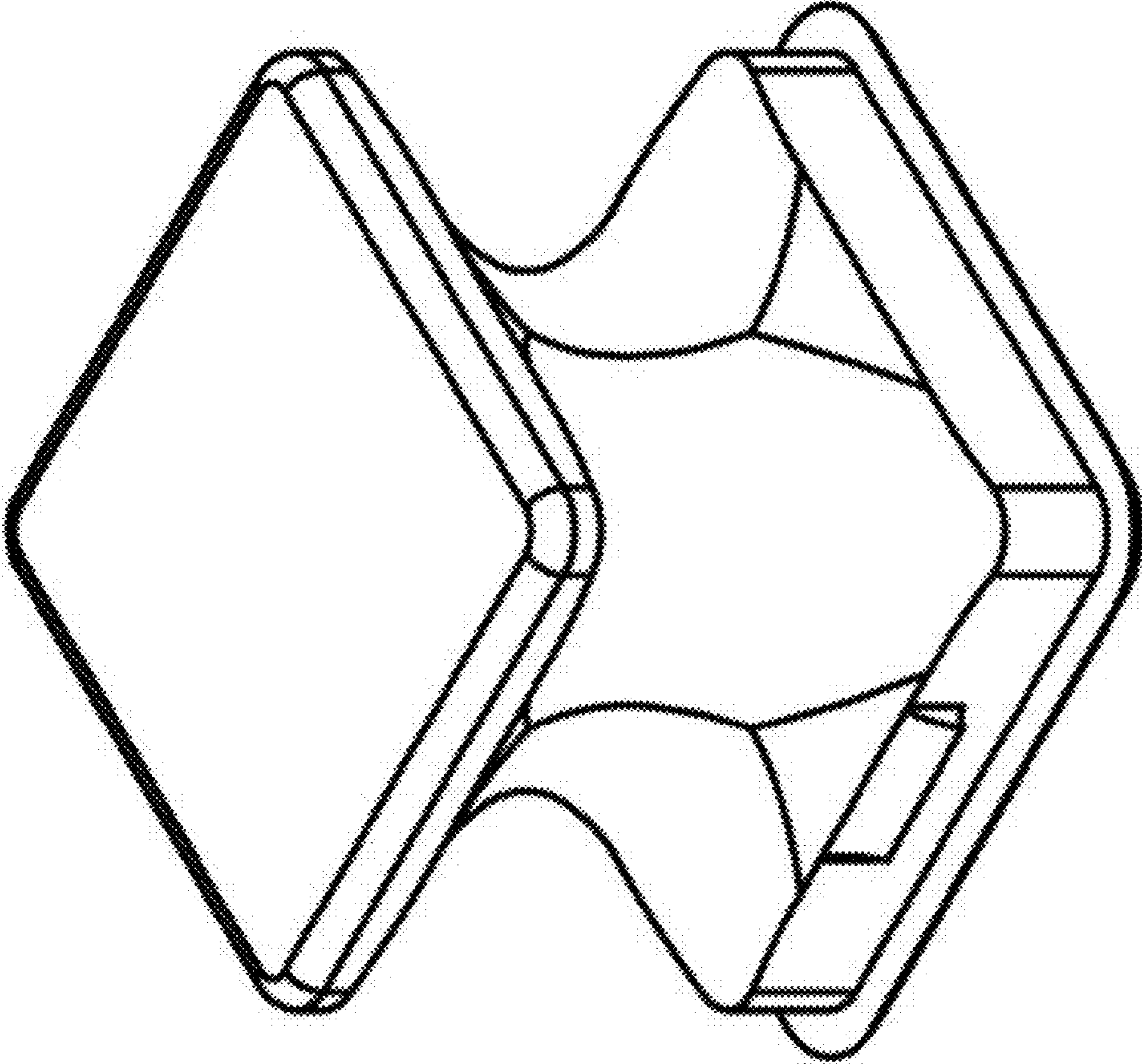


Fig. 22

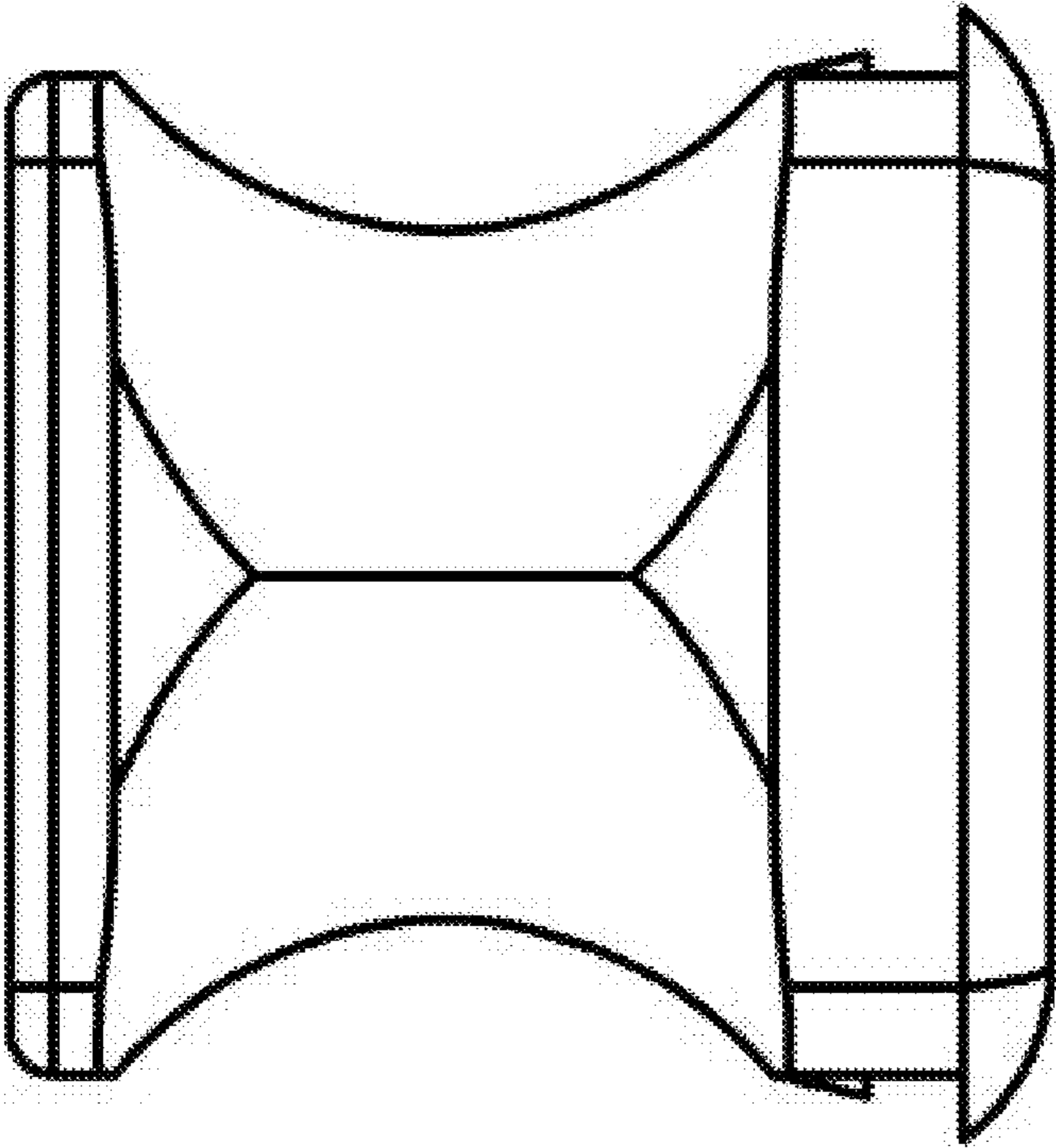


Fig. 23

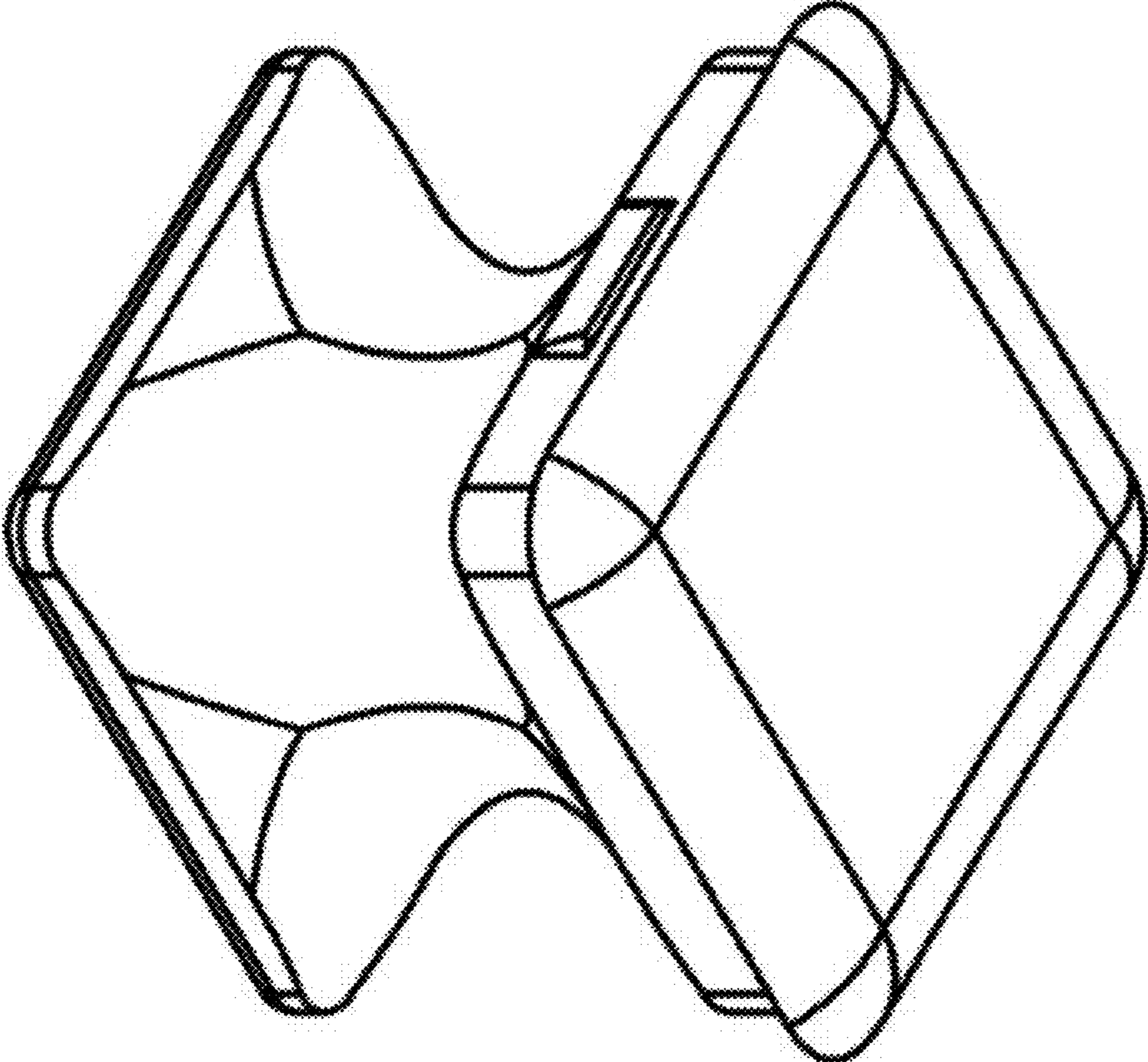


Fig. 24

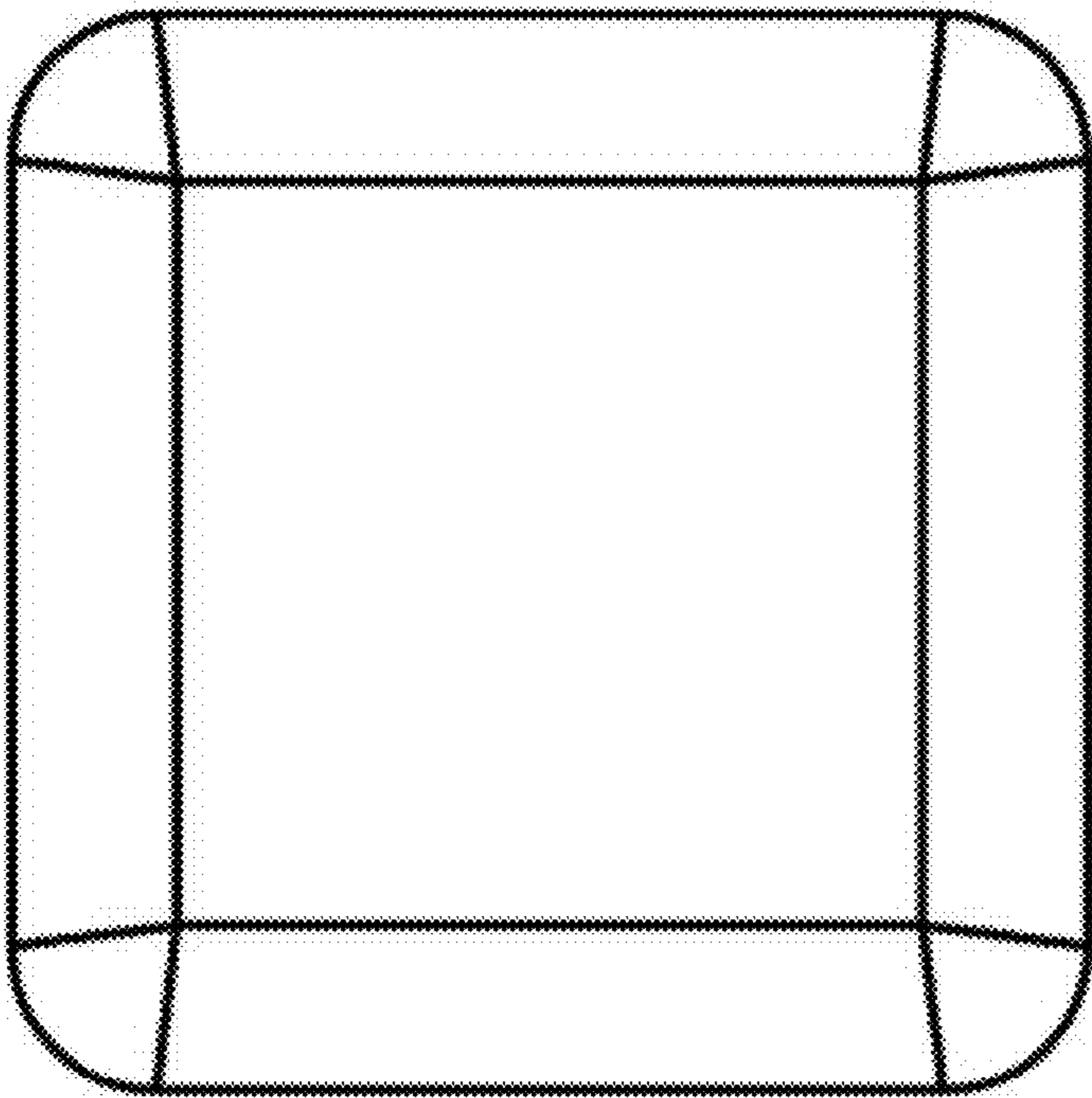


Fig. 25

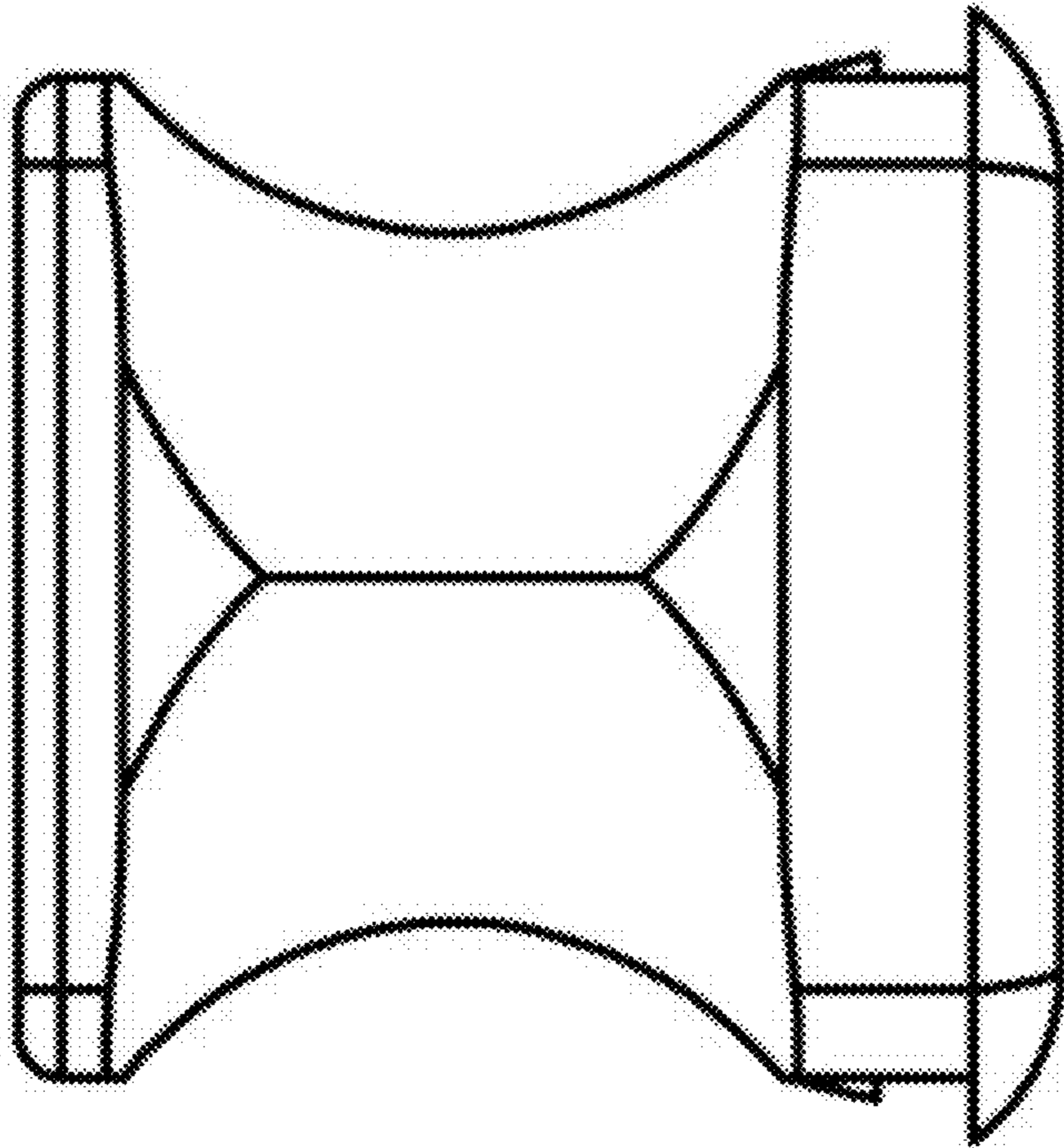


Fig. 26

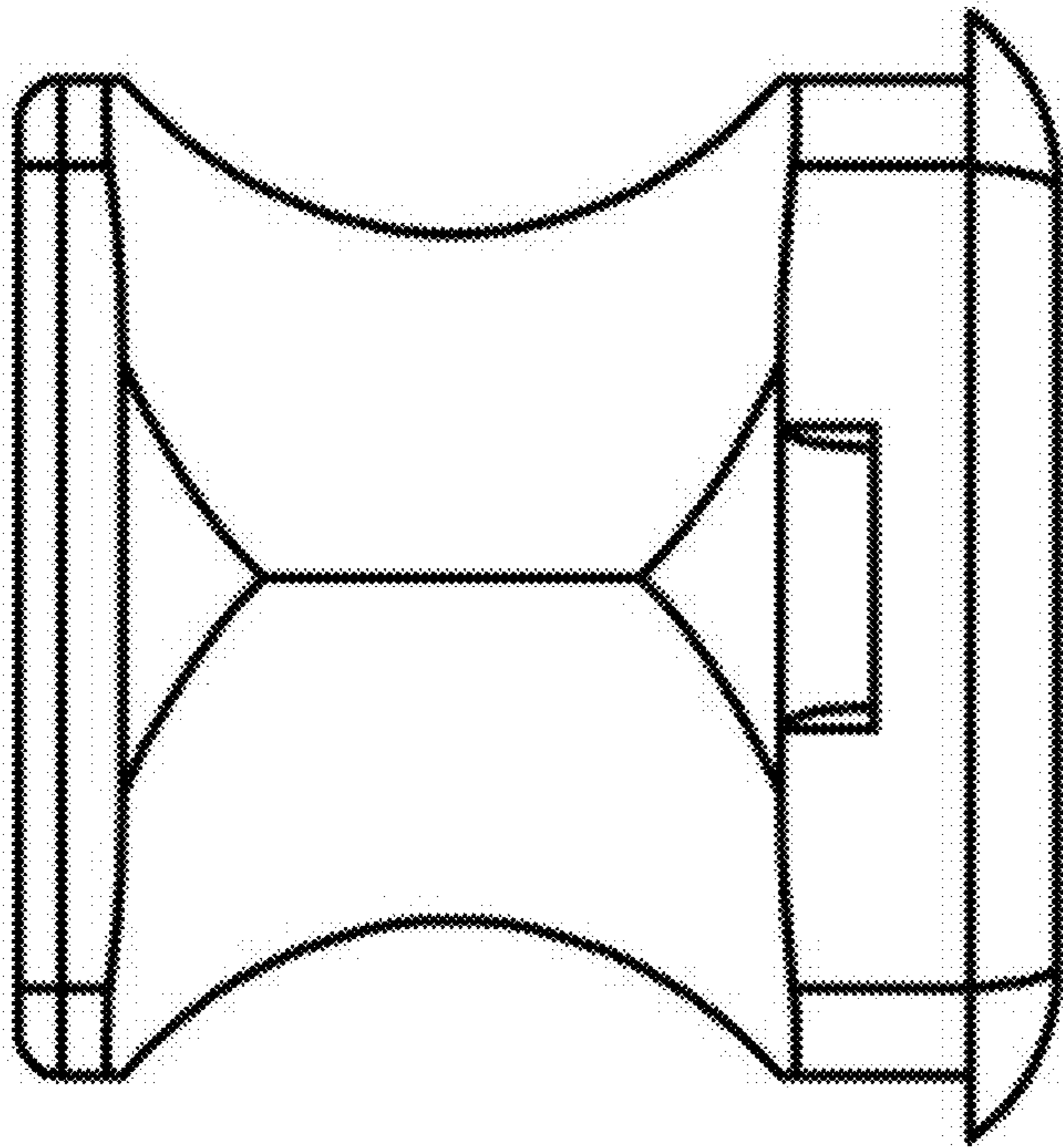


Fig. 27

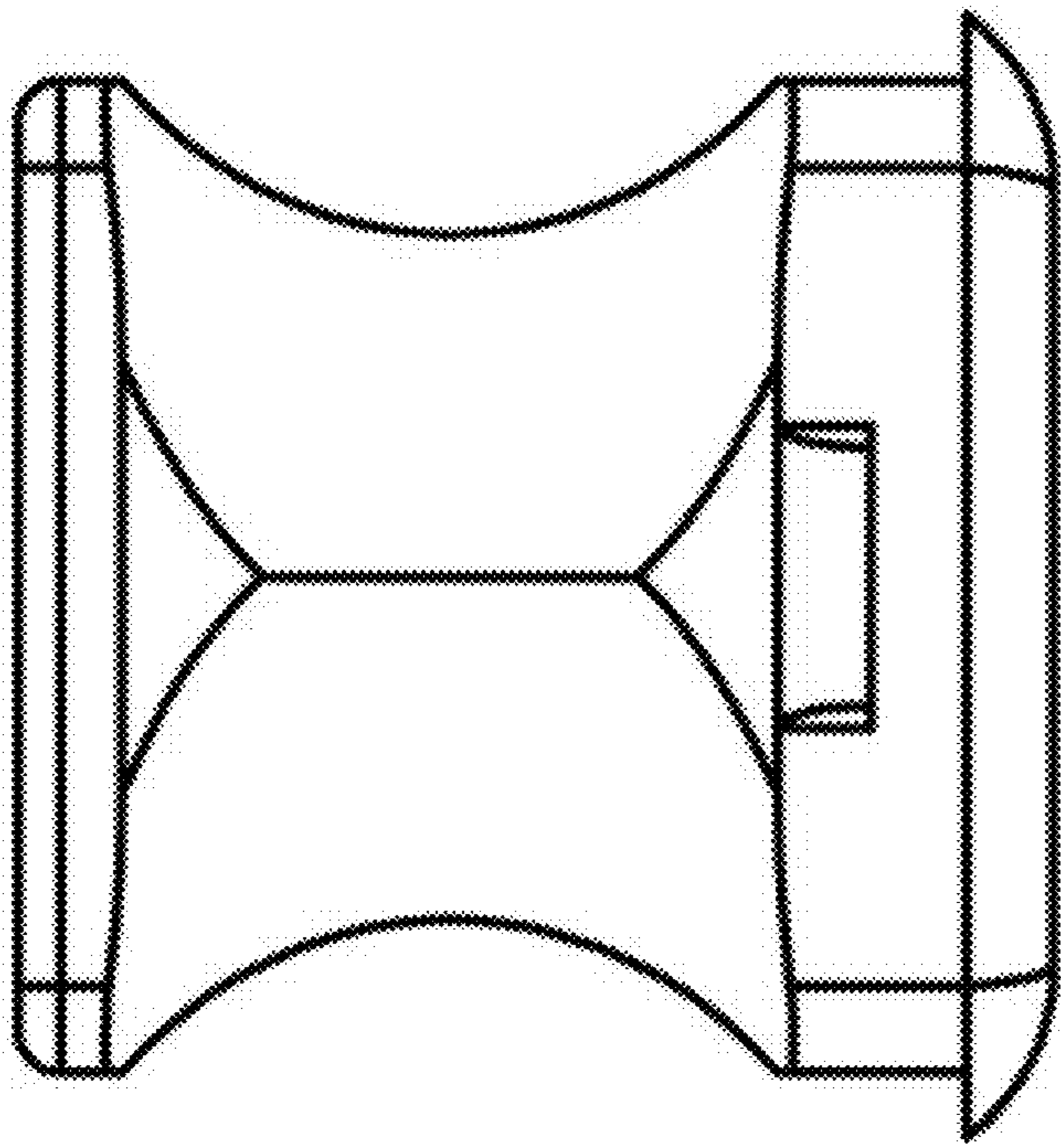


Fig. 28

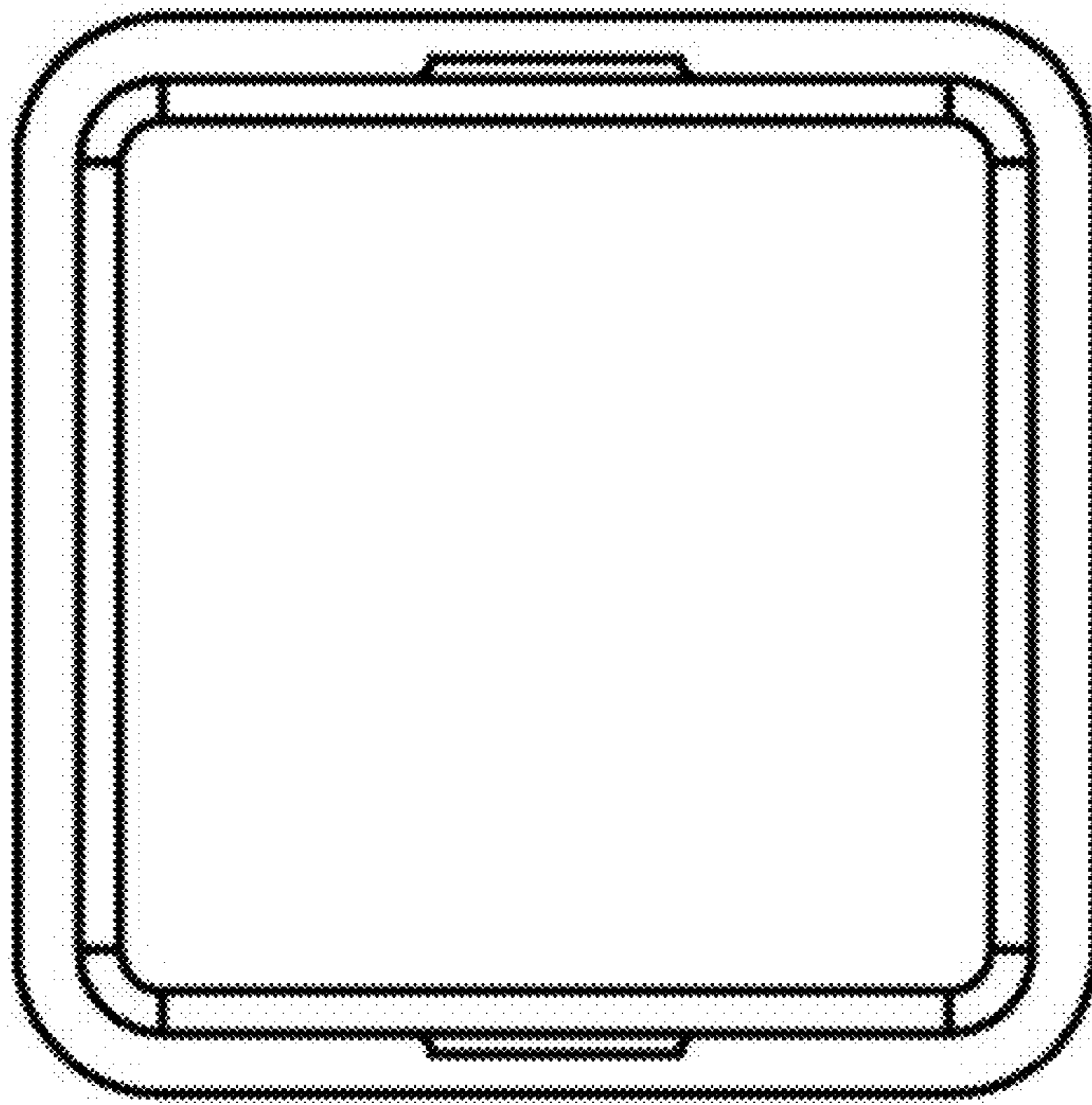


Fig. 29