



US00D917675S

(12) **United States Design Patent**
Wilkinson et al.

(10) **Patent No.:** **US D917,675 S**
(45) **Date of Patent:** **** Apr. 27, 2021**

- (54) **PILLAR LANTERN RING WITH A BRACE**
- (71) Applicant: **SEAL RYT CORPORATION**,
Westfield, MA (US)
- (72) Inventors: **Mark R. Wilkinson**, Huntington, MA
(US); **Thomas B. Monahan**, Holyoke,
MA (US)
- (73) Assignee: **SEAL-RYT CORP.**, Westfield, MA
(US)
- (**) Term: **15 Years**
- (21) Appl. No.: **29/664,775**
- (22) Filed: **Sep. 27, 2018**
- (51) **LOC (13) Cl.** **23-01**
- (52) **U.S. Cl.**
USPC **D23/259**
- (58) **Field of Classification Search**
USPC D23/259–260, 262, 264–266, 269;
D15/126, 138–139, 143; D8/72–73, 382,
D8/385, 387, 394–397, 14; 277/348,
277/361–362, 511, 516, 543, 548, 585,
277/914, 930
See application file for complete search history.

(56) **References Cited**

U.S. PATENT DOCUMENTS

5,013,053	A *	5/1991	Champlin	F16J 15/183 277/511
5,022,660	A *	6/1991	Dunford	F16J 15/183 277/528
D329,589	S *	9/1992	Parduhn	D8/396
D364,918	S *	12/1995	Hutchens	D23/262
D679,301	S *	4/2013	Wilkinson	D15/143

D766,404	S *	9/2016	Yamashita	D23/249
D824,967	S *	8/2018	Getto	D15/143
10,072,758	B2 *	9/2018	Getto	F04D 29/049
2003/0107183	A1 *	6/2003	Wilkinson	F16J 15/183 277/510
2007/0170658	A1 *	7/2007	Wilkinson	F16J 15/20 277/585
2009/0045589	A1 *	2/2009	Patton	F16J 15/183 277/516
2014/0325791	A1 *	11/2014	Colverson	F16J 15/3404 16/2.2
2017/0130729	A1 *	5/2017	Getto	F04D 29/10
2020/0103034	A1 *	4/2020	Wilkinson	F16J 15/183

* cited by examiner

Primary Examiner — Amy C Wierenga

(74) *Attorney, Agent, or Firm* — Michael I. Wolson

(57) **CLAIM**

The ornamental design for a pillar lantern ring with a brace, as shown and described.

DESCRIPTION

FIG. 1 is a top front perspective view of a pillar lantern ring with a brace showing my new design; a top rear perspective view; a bottom front and a bottom rear perspective views being identical;

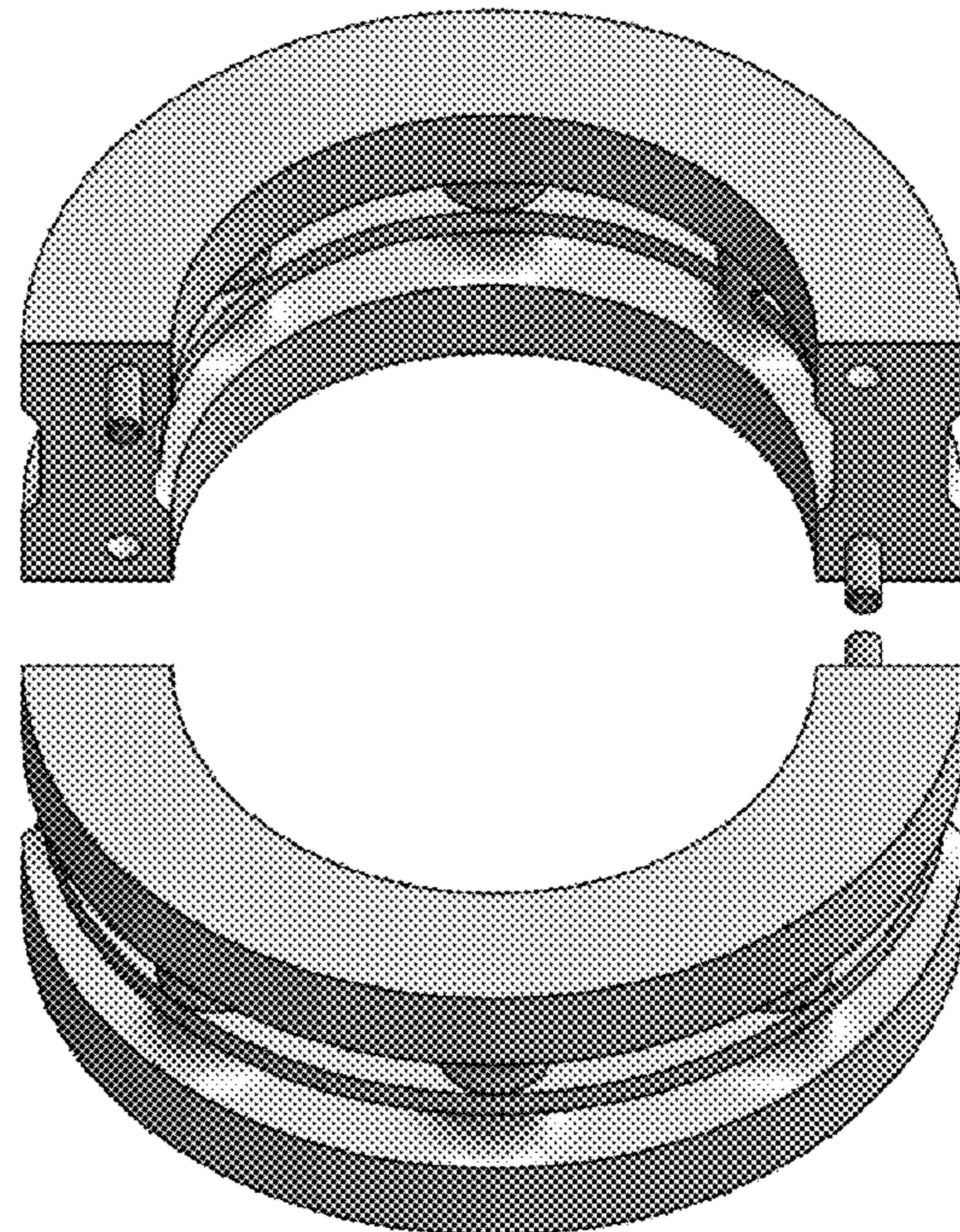
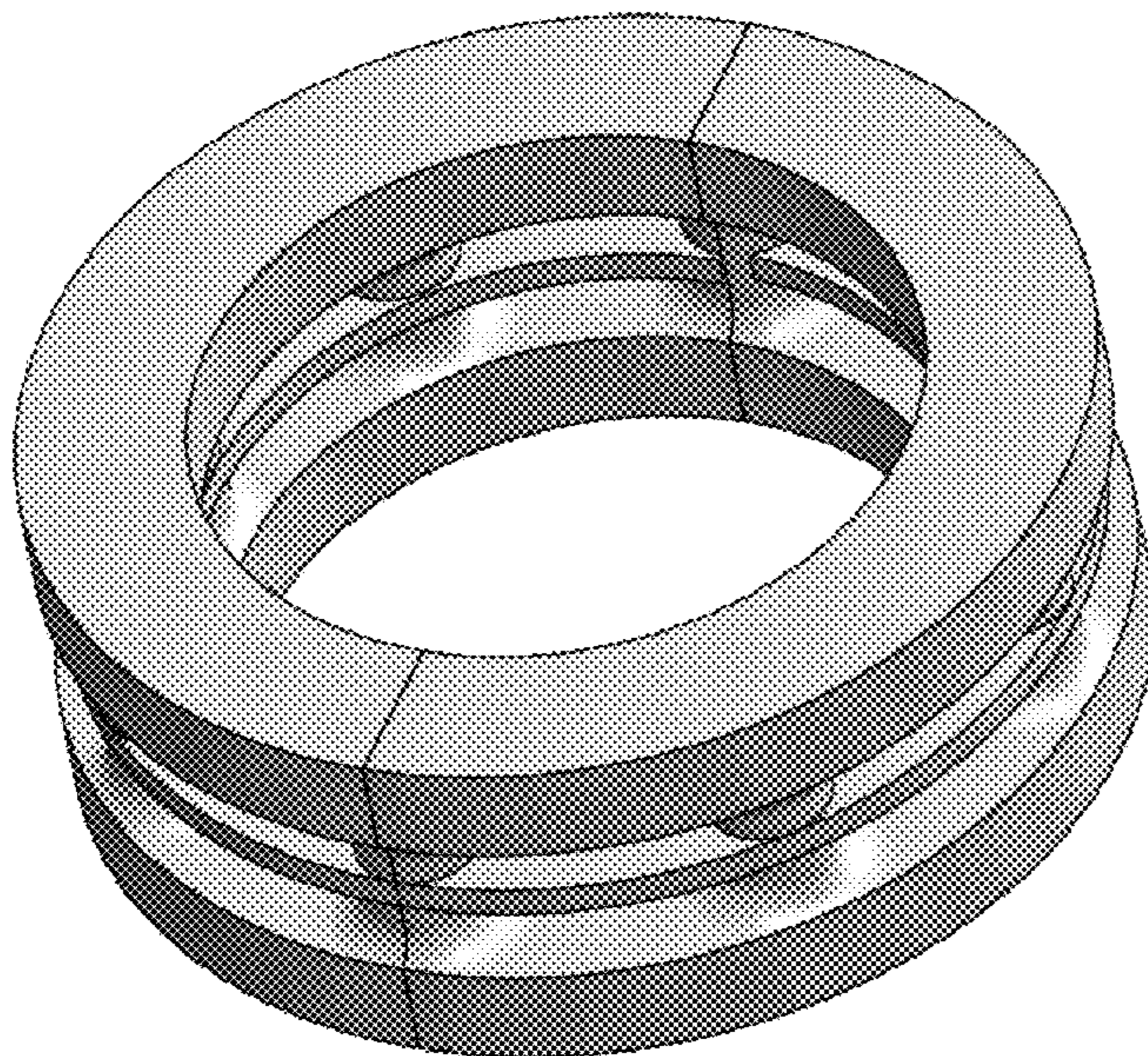
FIG. 2 is a top plan view thereof, and a bottom plan view being identical;

FIG. 3 is a left side elevational view thereof, and a right elevational view thereof being identical;

FIG. 4 is a front elevational view thereof, and a rear elevational view thereof being identical; and,

FIG. 5 is a top perspective view of the pillar lantern ring with a brace split showing the two halves thereof.

1 Claim, 3 Drawing Sheets



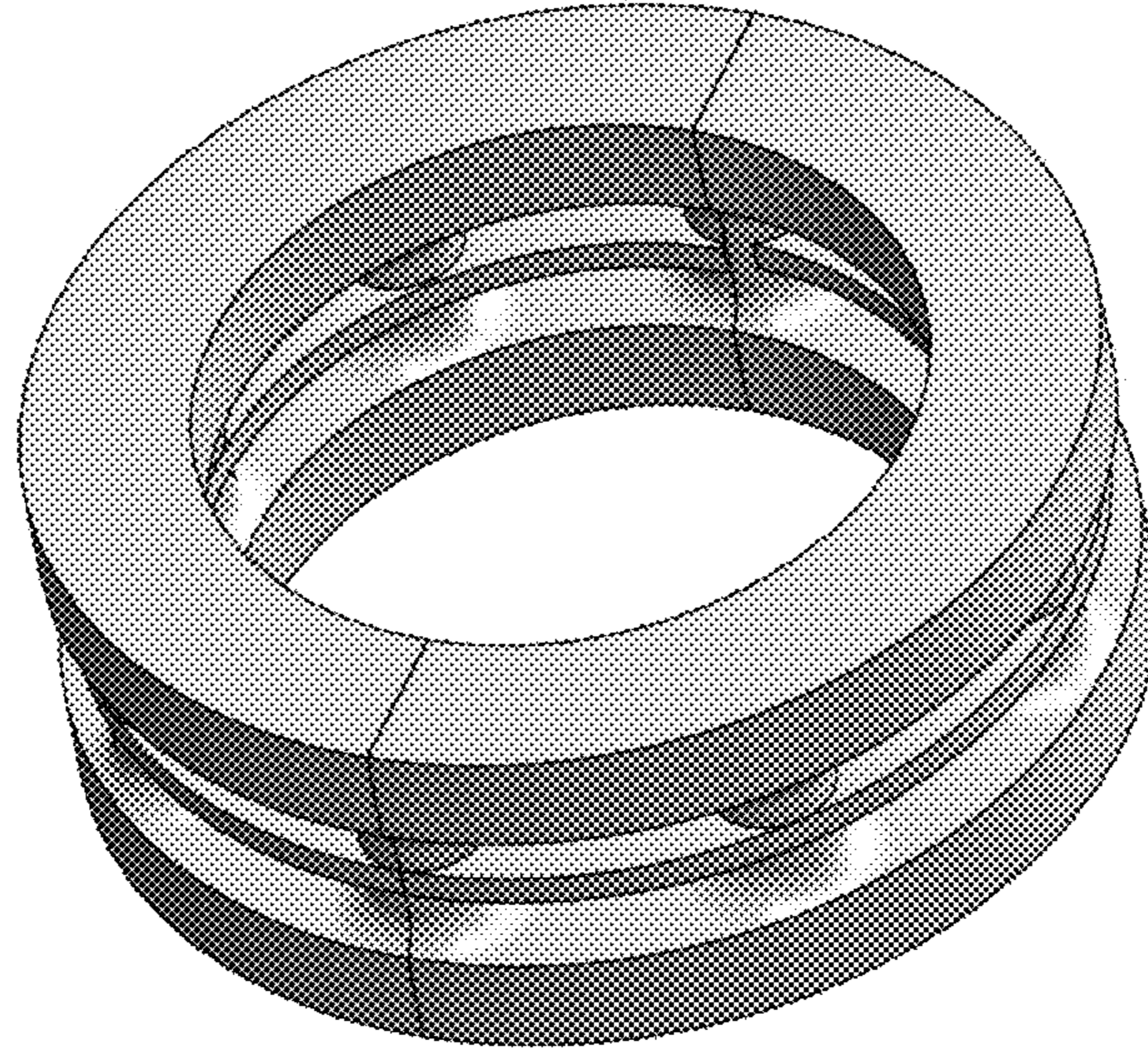


FIG. 1

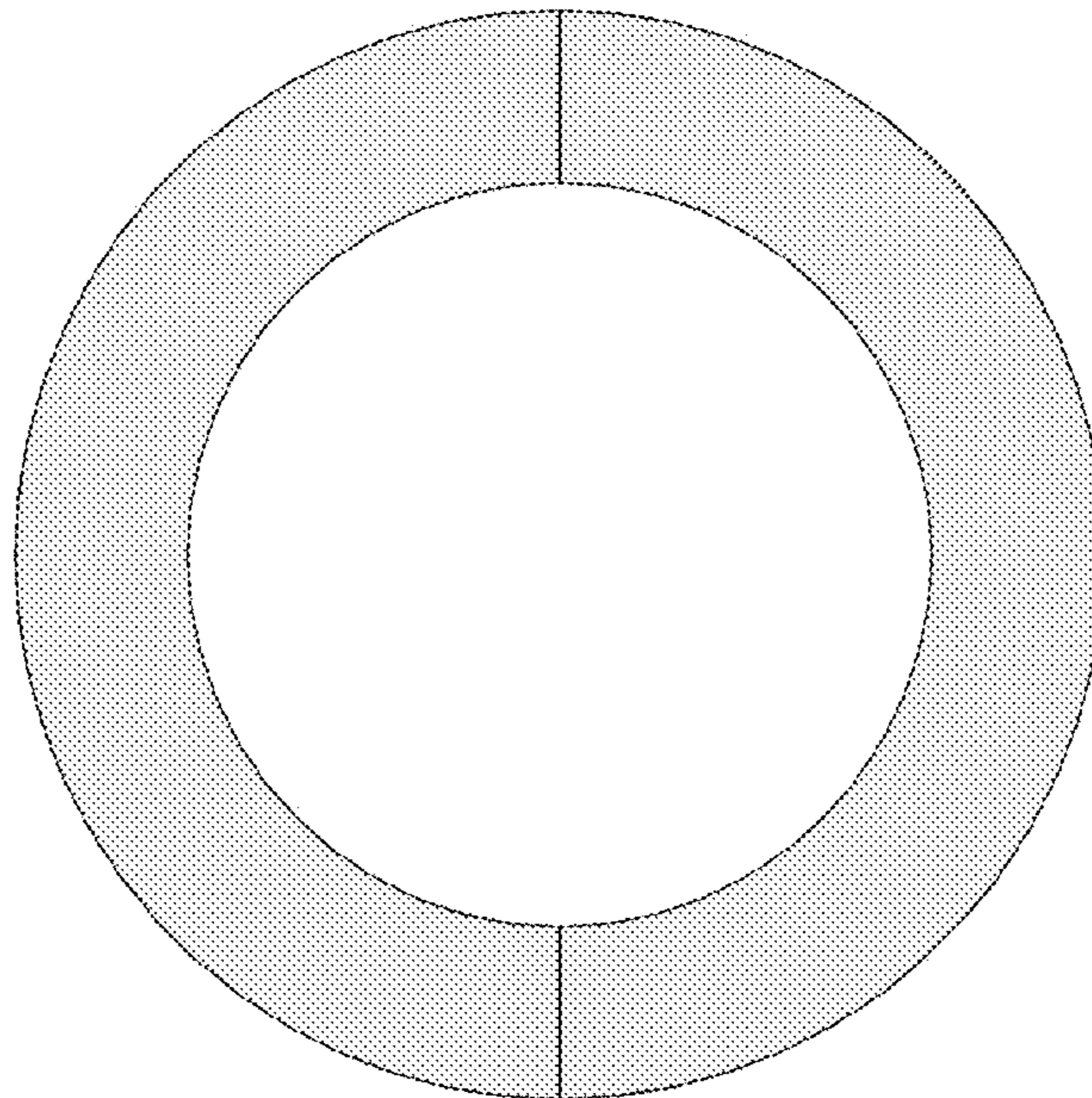


FIG. 2

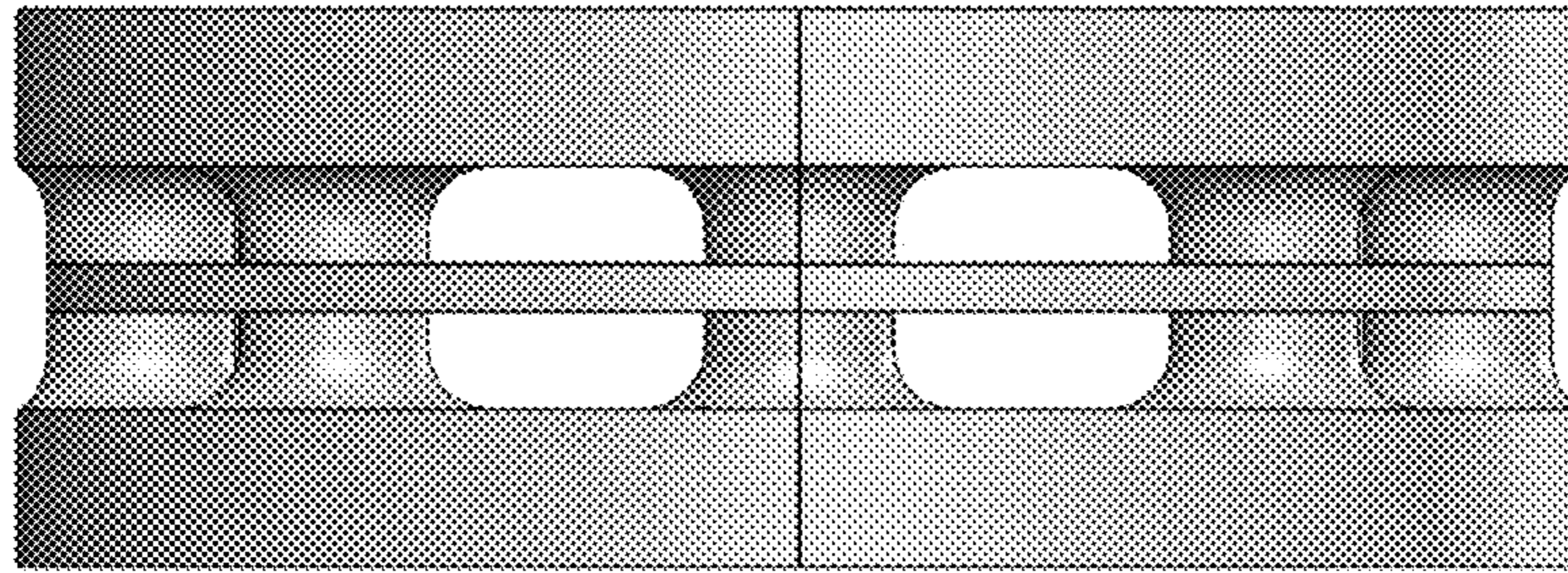


FIG. 3

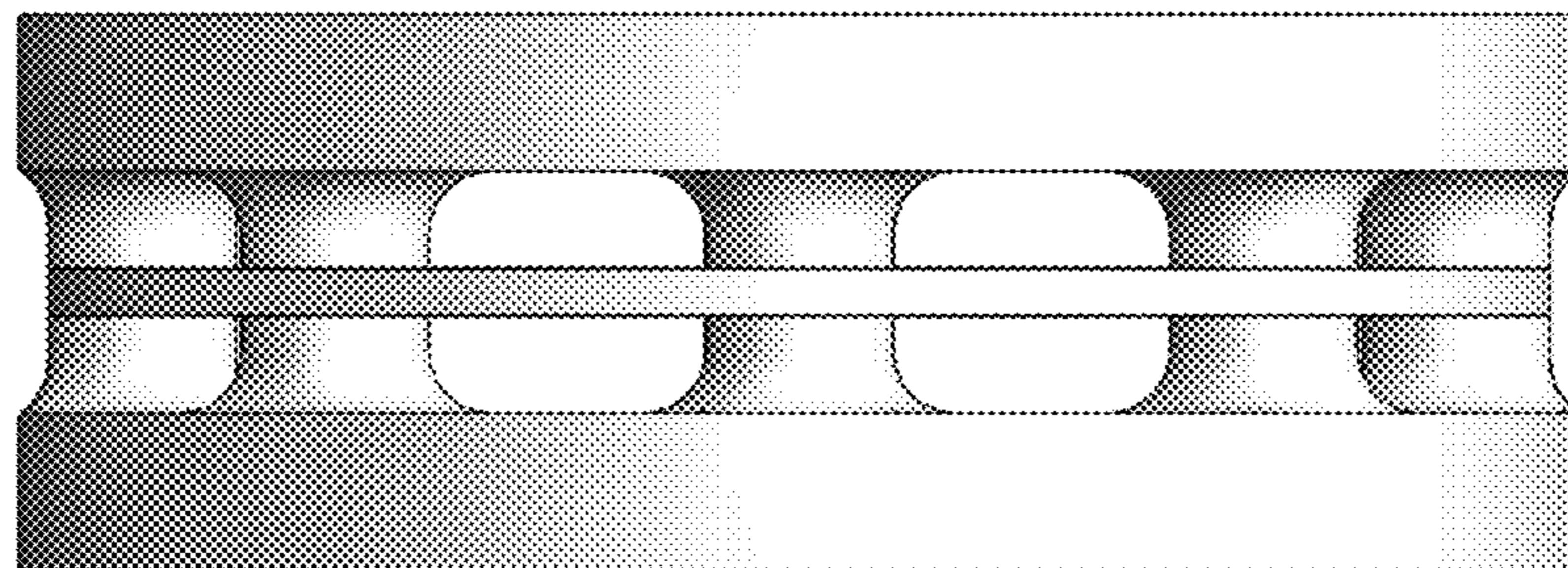


FIG. 4

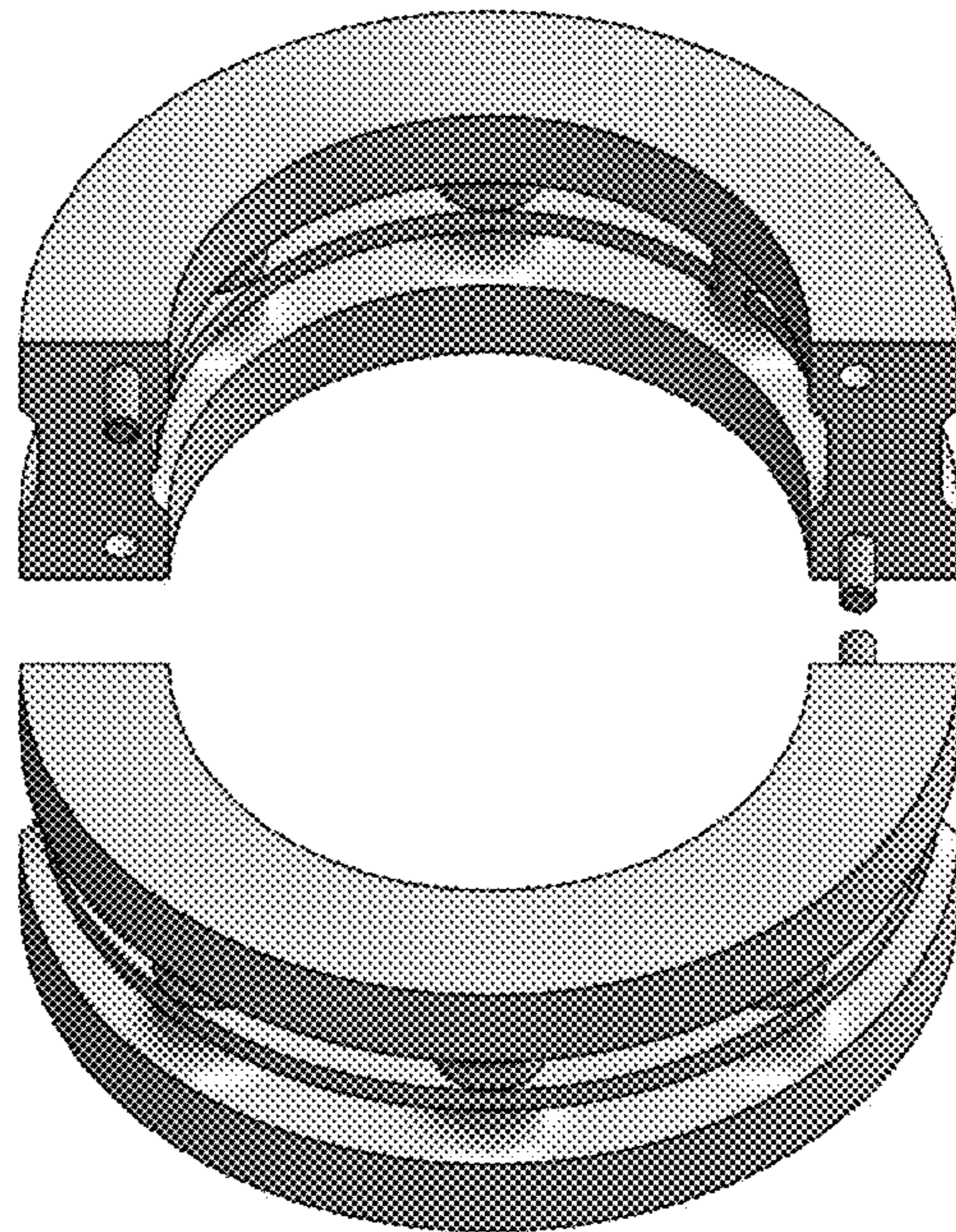


FIG. 5