



US00D917674S

(12) **United States Design Patent**
Wilkinson et al.

(10) **Patent No.:** **US D917,674 S**
(45) **Date of Patent:** **** Apr. 27, 2021**

- (54) **EXTENDED PILLAR LANTERN RING**
- (71) Applicant: **SEAL RYT CORPORATION**,
Westfield, MA (US)
- (72) Inventors: **Mark R. Wilkinson**, Huntington, MA
(US); **Thomas B. Monahan**, Holyoke,
MA (US)
- (73) Assignee: **SEAL-RYT CORP.**, Westfield, MA
(US)
- (**) Term: **15 Years**
- (21) Appl. No.: **29/664,774**
- (22) Filed: **Sep. 27, 2018**
- (51) **LOC (13) Cl.** **23-01**
- (52) **U.S. Cl.**
USPC **D23/259**
- (58) **Field of Classification Search**
USPC D23/259–260, 262, 264–266, 269;
D15/126, 138–139, 143; D8/72–73, 382,
D8/385, 387, 394–397, 14; 277/348,
277/361–362, 511, 516, 543, 548, 585,
277/914, 930
CPC E21B 43/116
See application file for complete search history.

- (56) **References Cited**
U.S. PATENT DOCUMENTS
5,013,053 A * 5/1991 Champlin F16J 15/183
277/511
5,022,660 A * 6/1991 Dunford F16J 15/183
277/528
D329,589 S * 9/1992 Parduhn D8/396
D364,918 S * 12/1995 Hutchens D23/262
D679,301 S * 4/2013 Wilkinson D15/143
D766,404 S * 9/2016 Yamashita D23/249
D824,967 S * 8/2018 Getto D15/143
10,072,758 B2 * 9/2018 Getto F04D 29/049

- 2003/0107183 A1* 6/2003 Wilkinson F16J 15/183
277/510
- 2007/0170658 A1* 7/2007 Wilkinson F16J 15/20
277/585
- 2009/0045589 A1* 2/2009 Patton F16J 15/183
277/516
- 2014/0325791 A1* 11/2014 Colverson F16J 15/3404
16/2.2

(Continued)

Primary Examiner — Amy C Wierenga
(74) *Attorney, Agent, or Firm* — Michael I. Wolfson

(57) **CLAIM**

The ornamental design for an extended pillar lantern ring, as shown and described.

DESCRIPTION

FIG. 1 is a front perspective view of an extended pillar lantern ring with the longer extended end on top showing our new design;

FIG. 2 is a top plan view thereof, and a bottom plan view being identical;

FIG. 3 is a left side elevational view thereof, and a right side elevational view thereof being identical;

FIG. 4 is a front elevational view thereof, and a rear elevational view thereof being identical;

FIG. 5 is a perspective view of the extended pillar lantern ring split showing the two halves thereof;

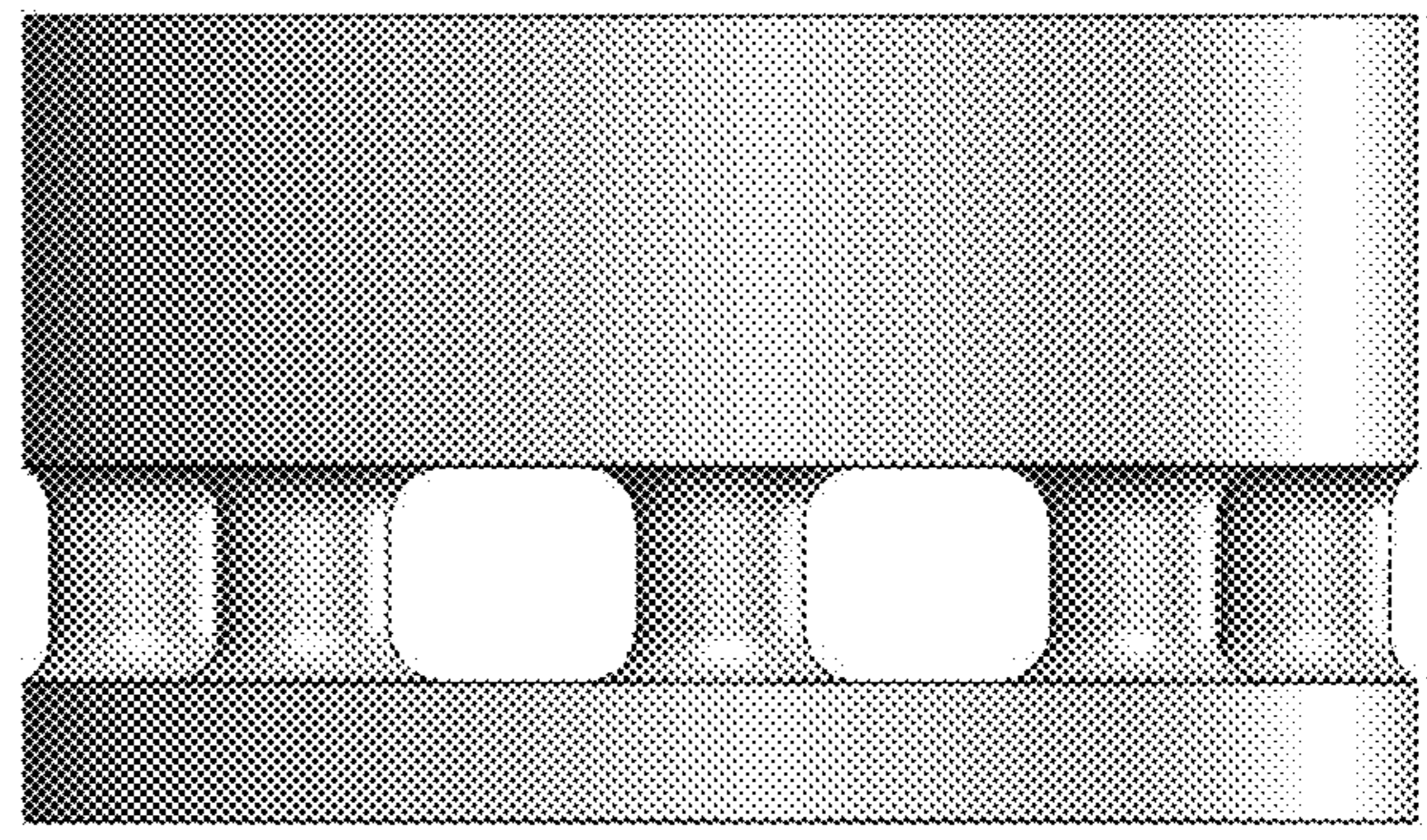
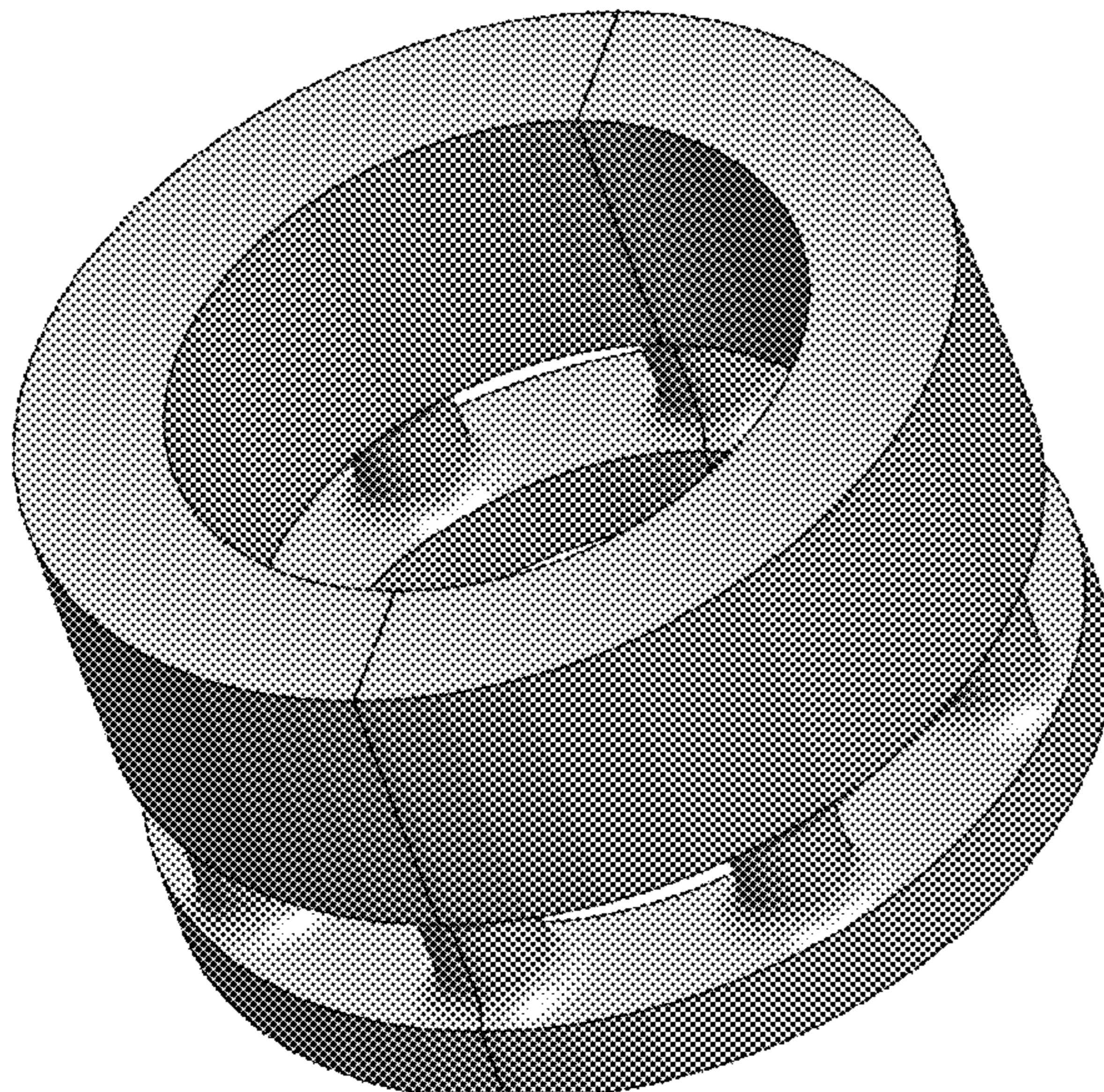
FIG. 6 is a rear perspective view of the extended pillar lantern ring with the shorter end on top;

FIG. 7 is a top plan view of the extended pillar lantern ring shown in FIG. 6, and a bottom plan view being identical;

FIG. 8 is a left side elevational view of the extended pillar lantern ring shown in FIG. 6, and a right side elevational view thereof being identical; and,

FIG. 9 is a front elevational view of the extended pillar lantern ring shown in FIG. 6, and a rear elevational view thereof being identical.

1 Claim, 5 Drawing Sheets



(56)

References Cited

U.S. PATENT DOCUMENTS

2017/0130729 A1* 5/2017 Getto F04D 29/10
2020/0103034 A1* 4/2020 Wilkinson F16J 15/183

* cited by examiner

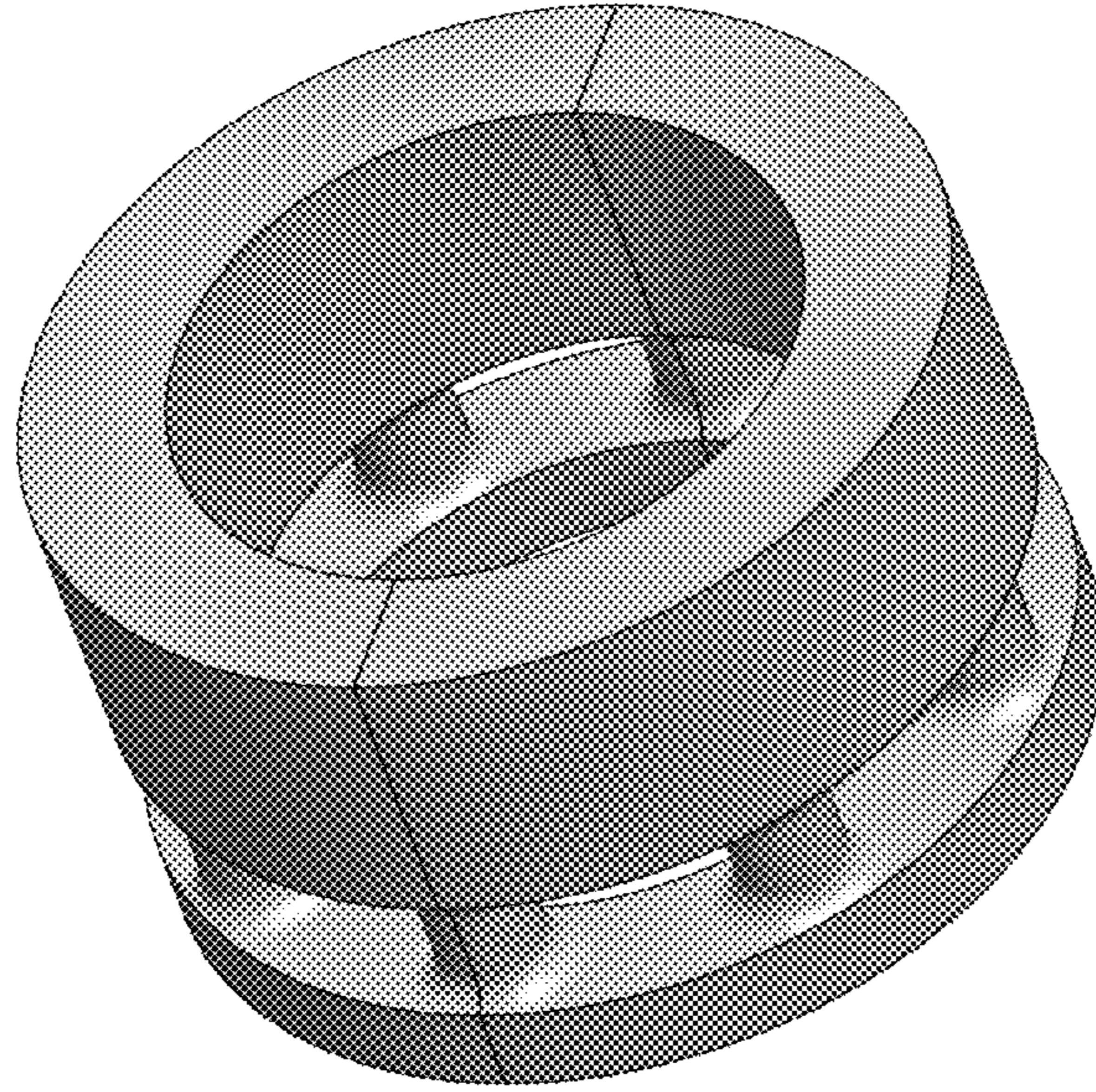


FIG. 1

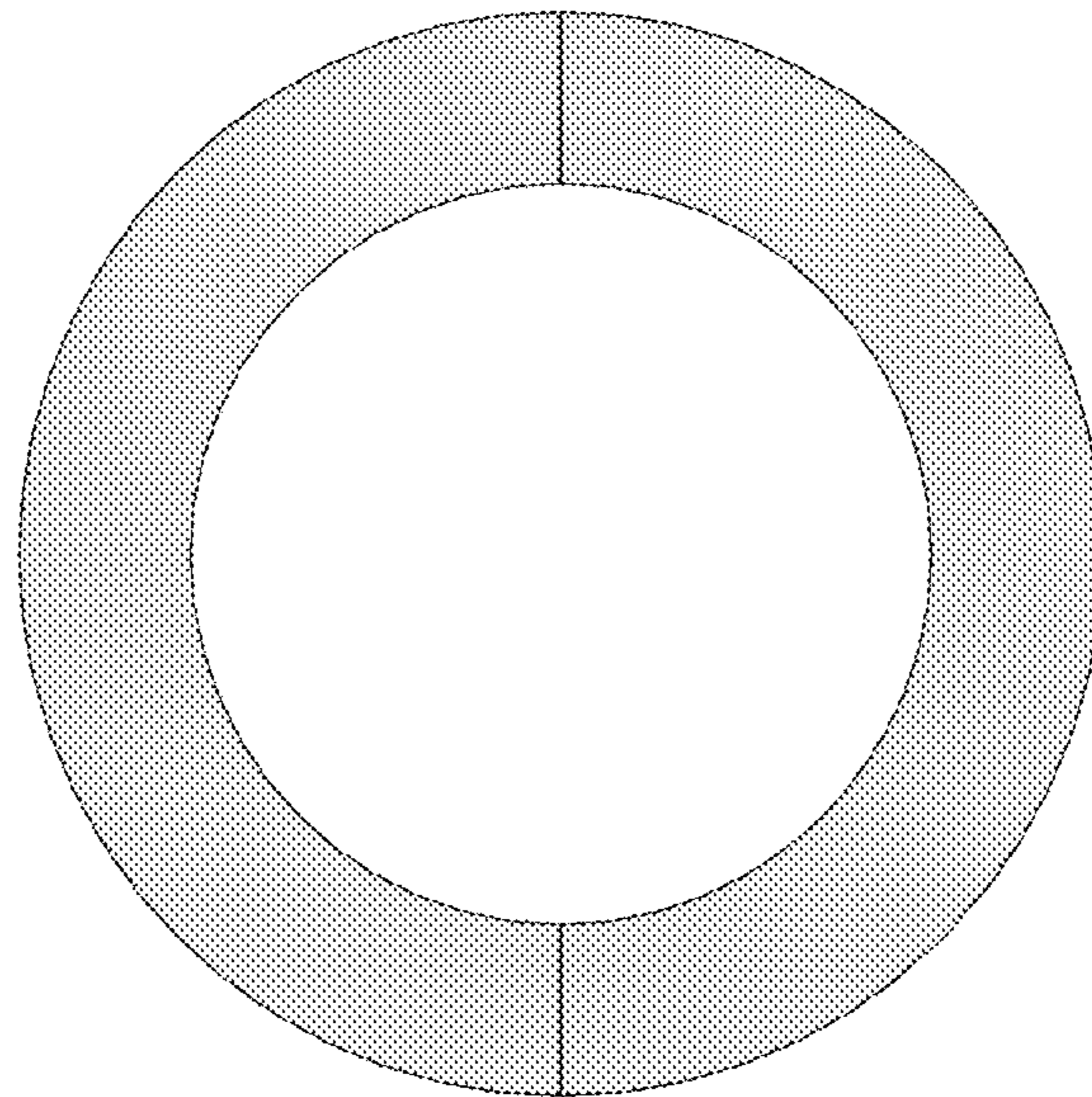


FIG. 2

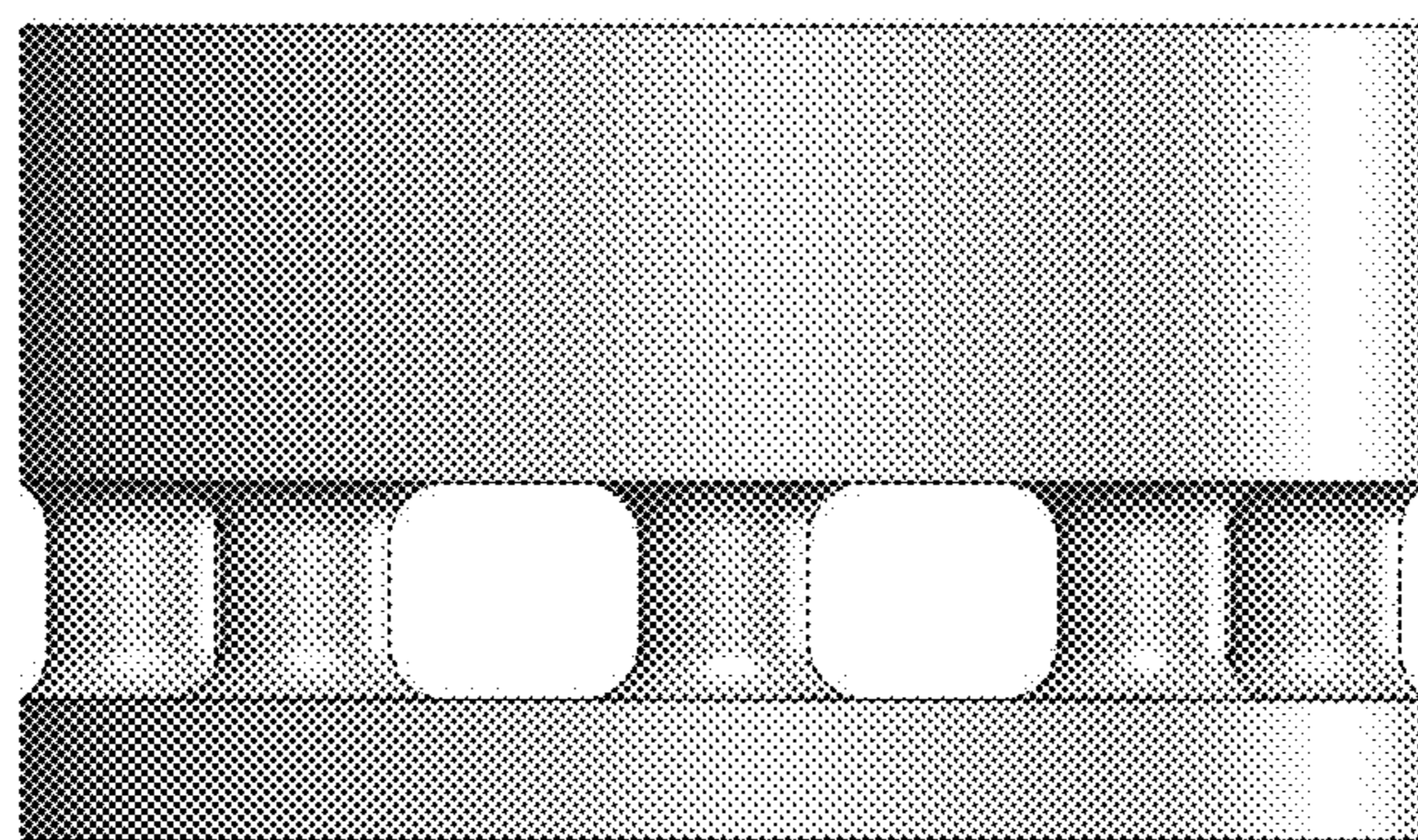


FIG. 3

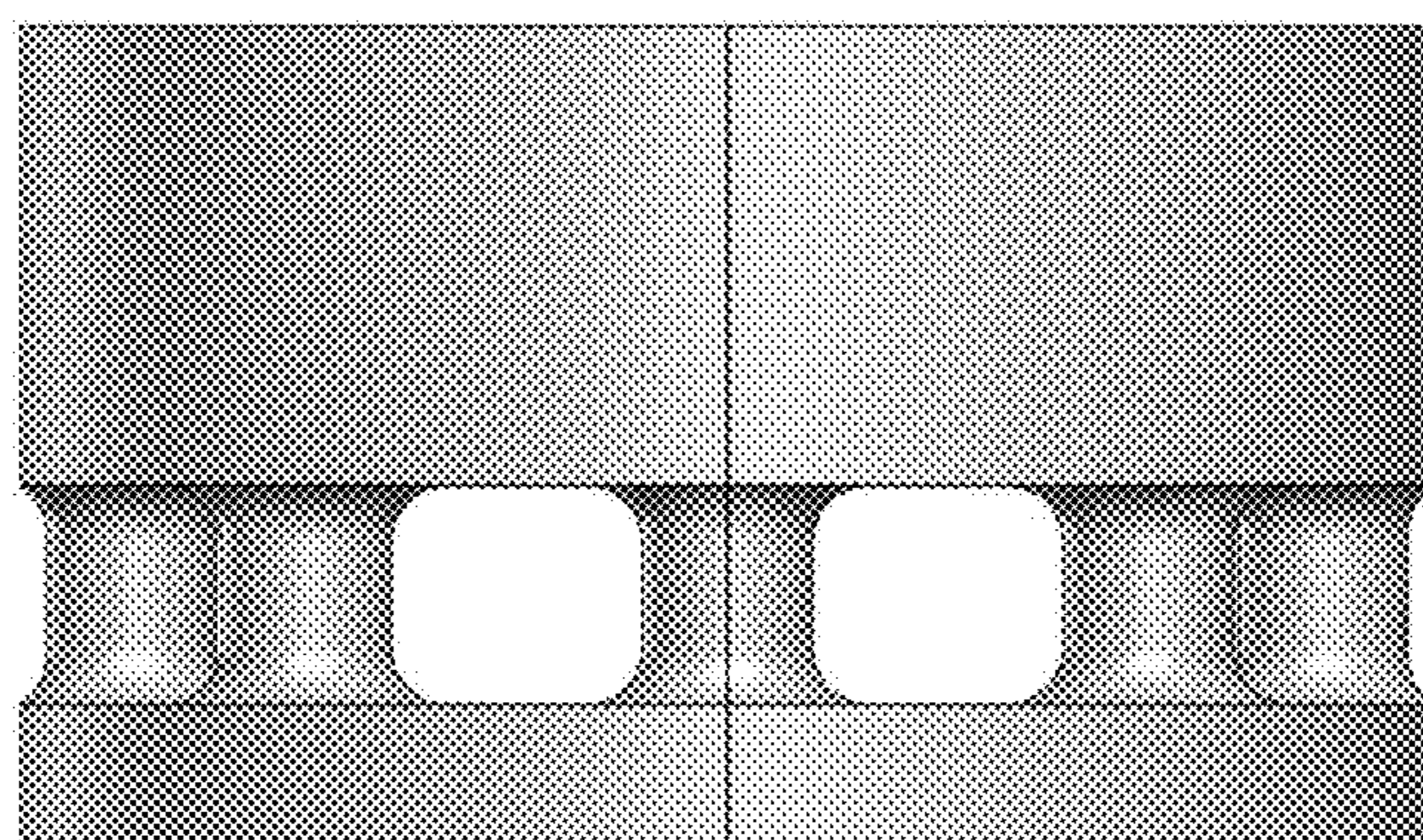


FIG. 4

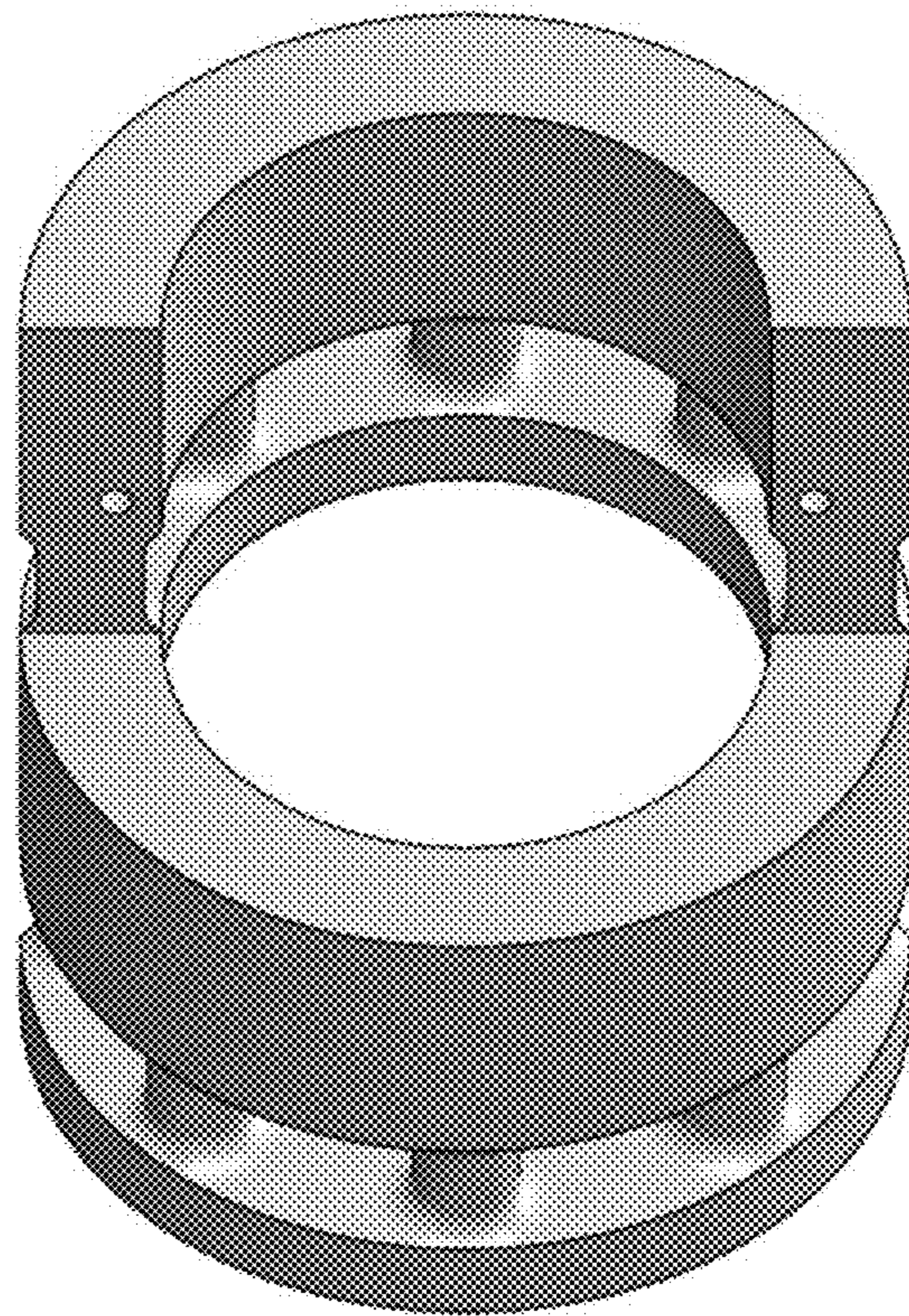


FIG. 5

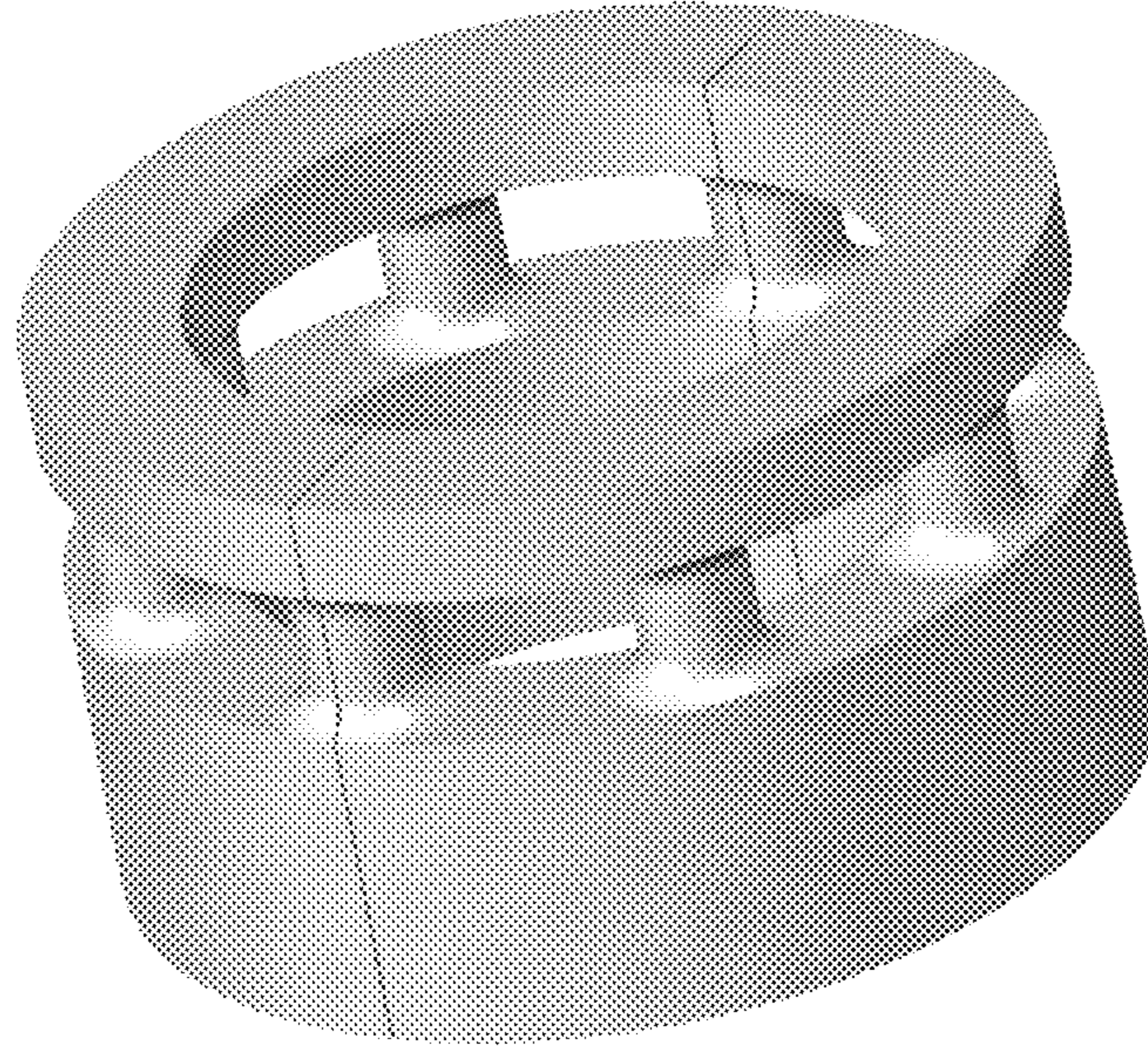


FIG. 6

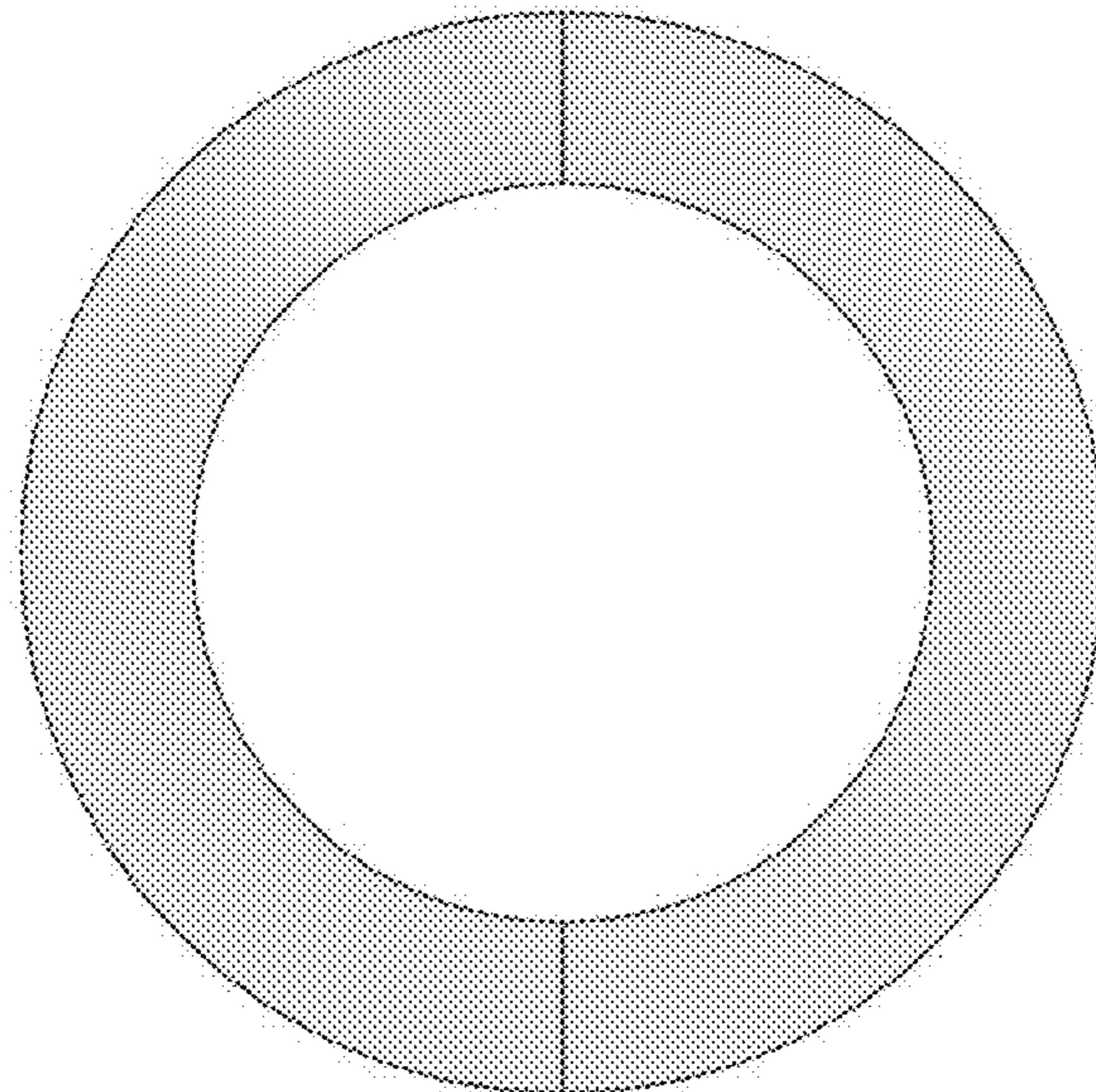


FIG. 7

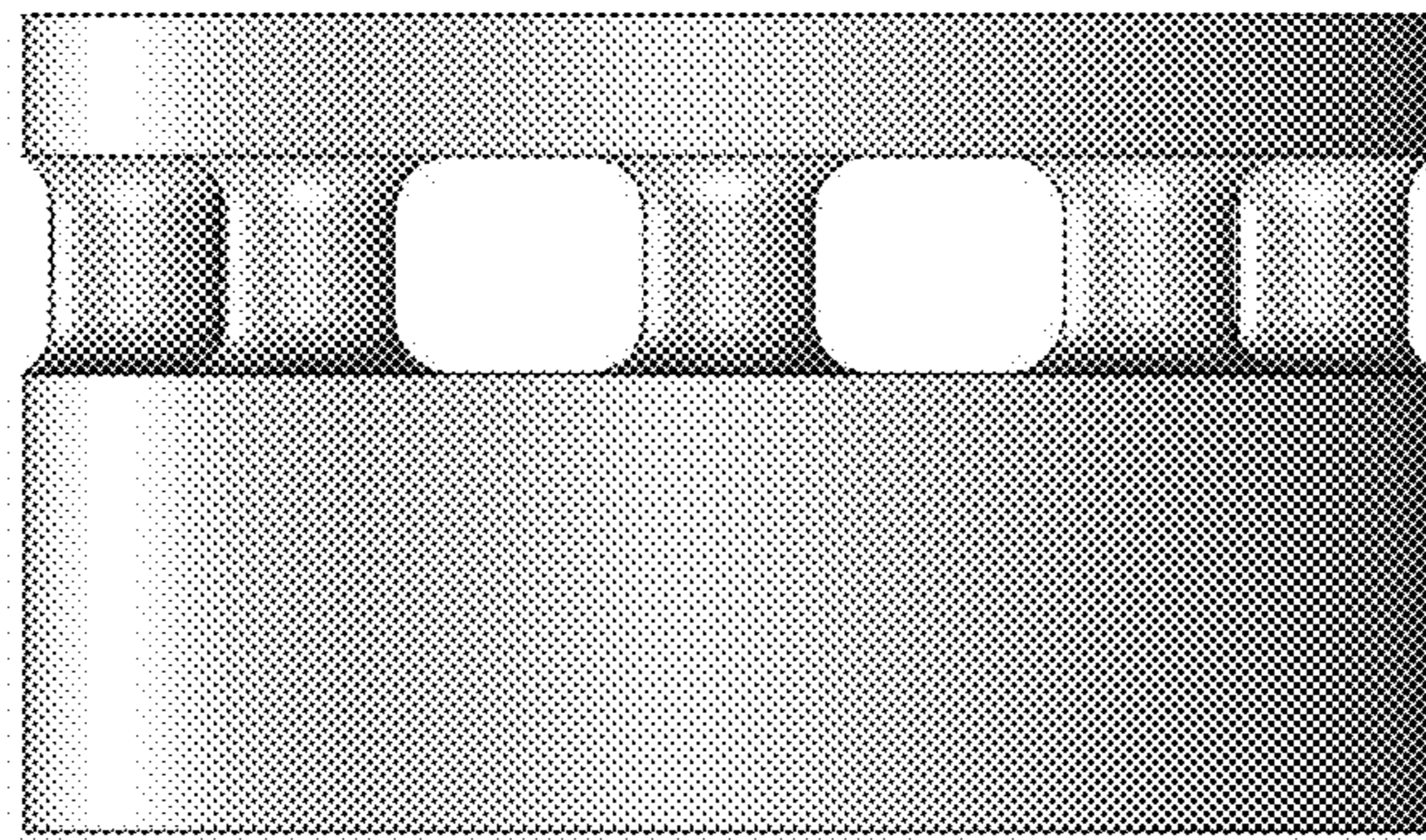


FIG. 8

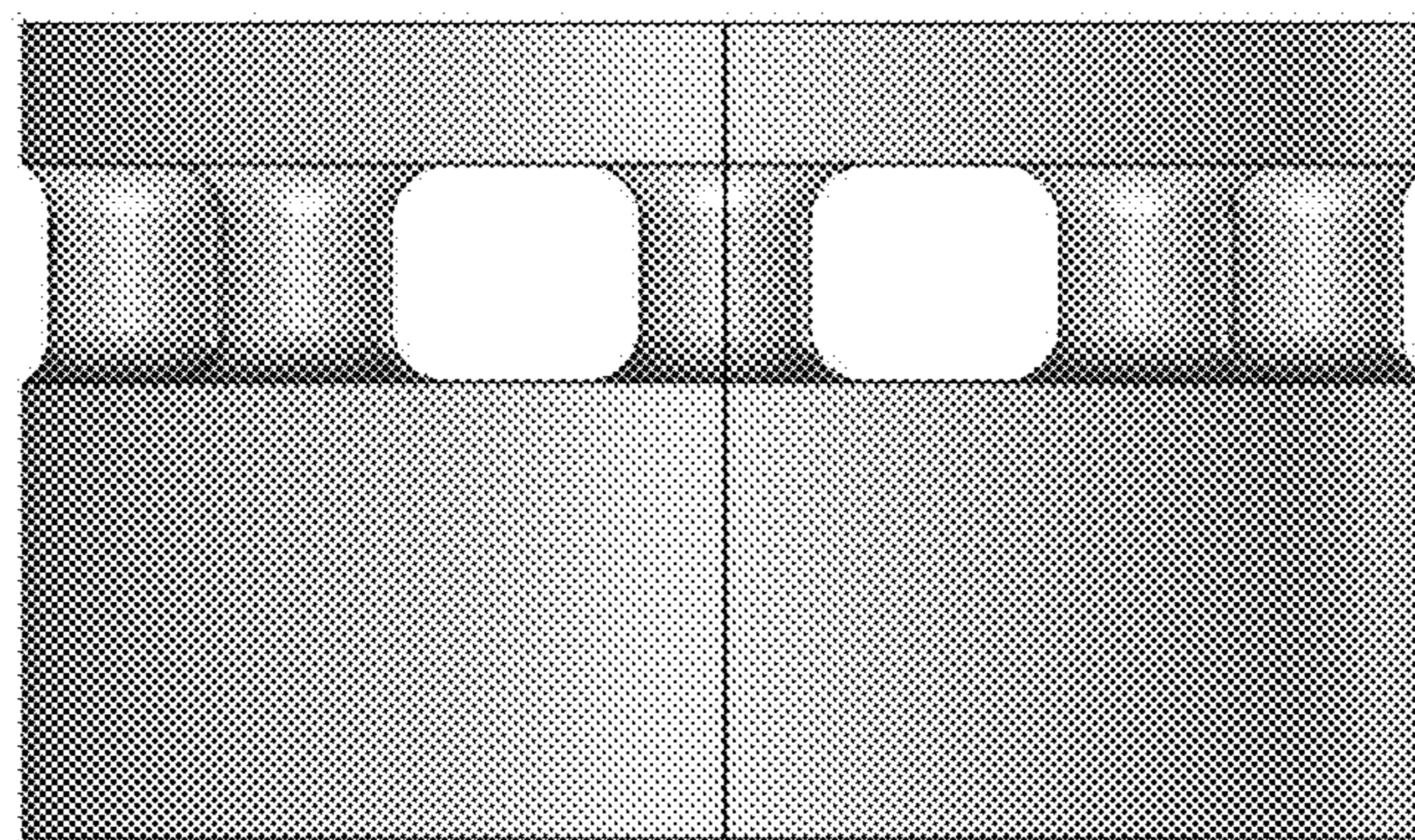


FIG. 9