



US00D917673S

(12) **United States Design Patent**  
**Wilkinson et al.**

(10) **Patent No.:** **US D917,673 S**  
(45) **Date of Patent:** **\*\* Apr. 27, 2021**

- (54) **PILLAR LANTERN RING**
- (71) Applicant: **SEAL RYT CORPORATION**,  
Westfield, MA (US)
- (72) Inventors: **Mark R. Wilkinson**, Huntington, MA  
(US); **Thomas B. Monahan**, Holyoke,  
MA (US)
- (73) Assignee: **SEAL-RYT CORP.**, Westfield, MA  
(US)
- (\*\*) Term: **15 Years**
- (21) Appl. No.: **29/664,773**
- (22) Filed: **Sep. 27, 2018**
- (51) **LOC (13) Cl.** ..... **23-01**
- (52) **U.S. Cl.**  
USPC ..... **D23/259**
- (58) **Field of Classification Search**  
USPC ..... D23/259–260, 262, 264–266, 269;  
D15/126, 138–139, 143; D8/72–73, 382,  
D8/385, 387, 394–397, 14; 277/348,  
277/361–362, 511, 516, 543, 548, 585,  
277/914, 930  
See application file for complete search history.

- (56) **References Cited**  
**U.S. PATENT DOCUMENTS**  
5,013,053 A \* 5/1991 Champlin ..... F16J 15/183  
277/511  
5,022,660 A \* 6/1991 Dunford ..... F16J 15/183  
277/528  
D329,589 S \* 9/1992 Parduhn ..... D8/396  
D364,918 S \* 12/1995 Hutchens ..... D23/262  
D679,301 S \* 4/2013 Wilkinson ..... D15/143

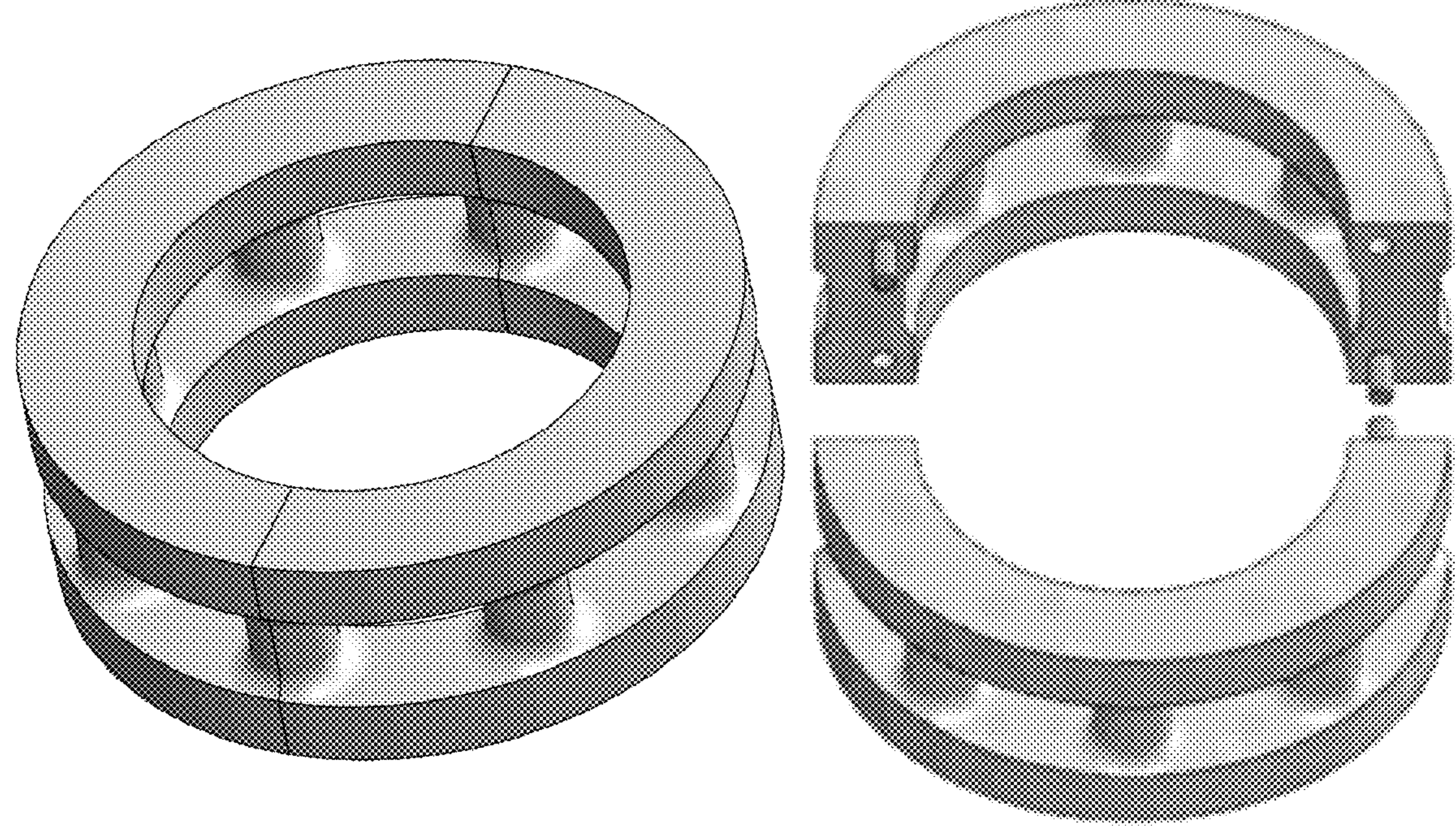
- D766,404 S \* 9/2016 Yamashita ..... D23/249
  - D824,967 S \* 8/2018 Getto ..... D15/143
  - 10,072,758 B2 \* 9/2018 Getto ..... F04D 29/049
  - 2003/0107183 A1 \* 6/2003 Wilkinson ..... F16J 15/183  
277/510
  - 2007/0170658 A1 \* 7/2007 Wilkinson ..... F16J 15/20  
277/585
  - 2009/0045589 A1 \* 2/2009 Patton ..... F16J 15/183  
277/516
  - 2014/0325791 A1 \* 11/2014 Colverson ..... F16J 15/3404  
16/2.2
  - 2017/0130729 A1 \* 5/2017 Getto ..... F04D 29/10
  - 2020/0103034 A1 \* 4/2020 Wilkinson ..... F16J 15/183
- \* cited by examiner

*Primary Examiner* — Amy C Wierenga  
(74) *Attorney, Agent, or Firm* — Michael I. Wolfson

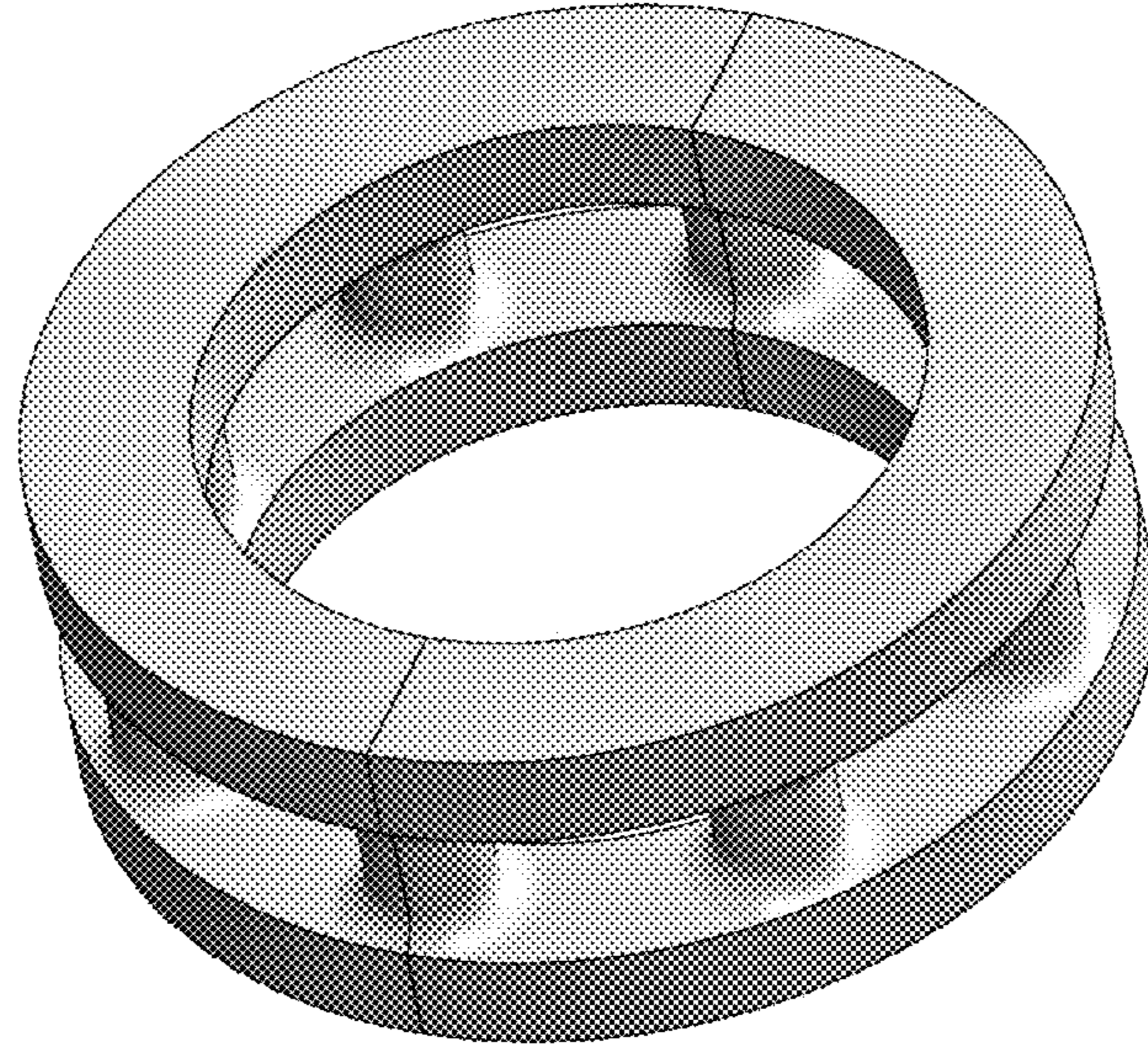
(57) **CLAIM**  
The ornamental design for a pillar lantern ring, as shown and described.

**DESCRIPTION**  
FIG. 1 is a top front perspective view of a pillar lantern ring showing my new design; a top rear perspective view; a bottom front and a bottom rear perspective views being identical;  
FIG. 2 is a top plan view thereof, and a bottom plan view being identical;  
FIG. 3 is a left side elevational view thereof, and a right elevational view thereof being identical;  
FIG. 4 is a front elevational view thereof, and a rear elevational view thereof being identical; and,  
FIG. 5 is a top perspective view of the pillar lantern ring split showing the two halves thereof.

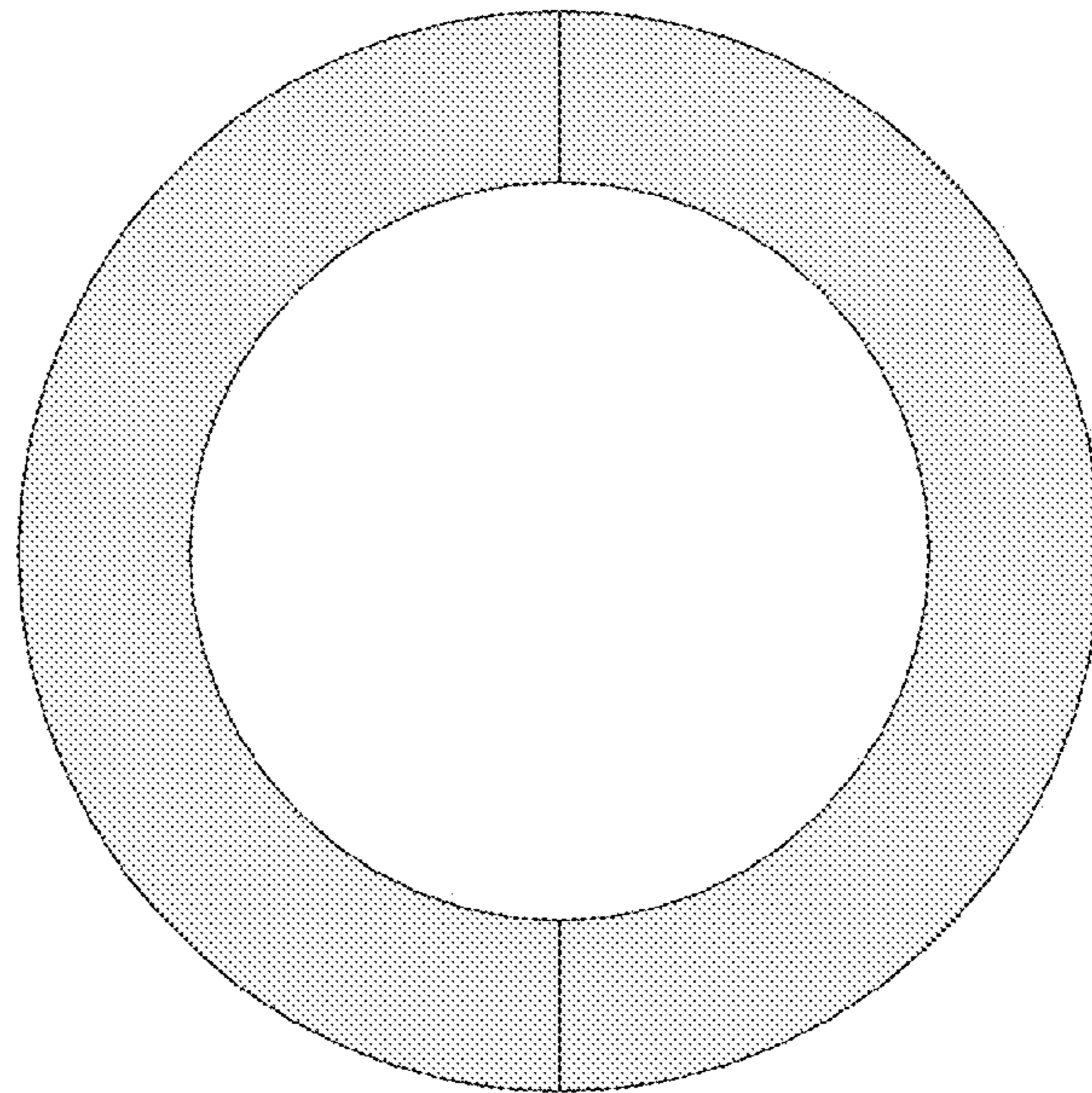
**1 Claim, 3 Drawing Sheets**







**FIG. 1**



**FIG. 2**

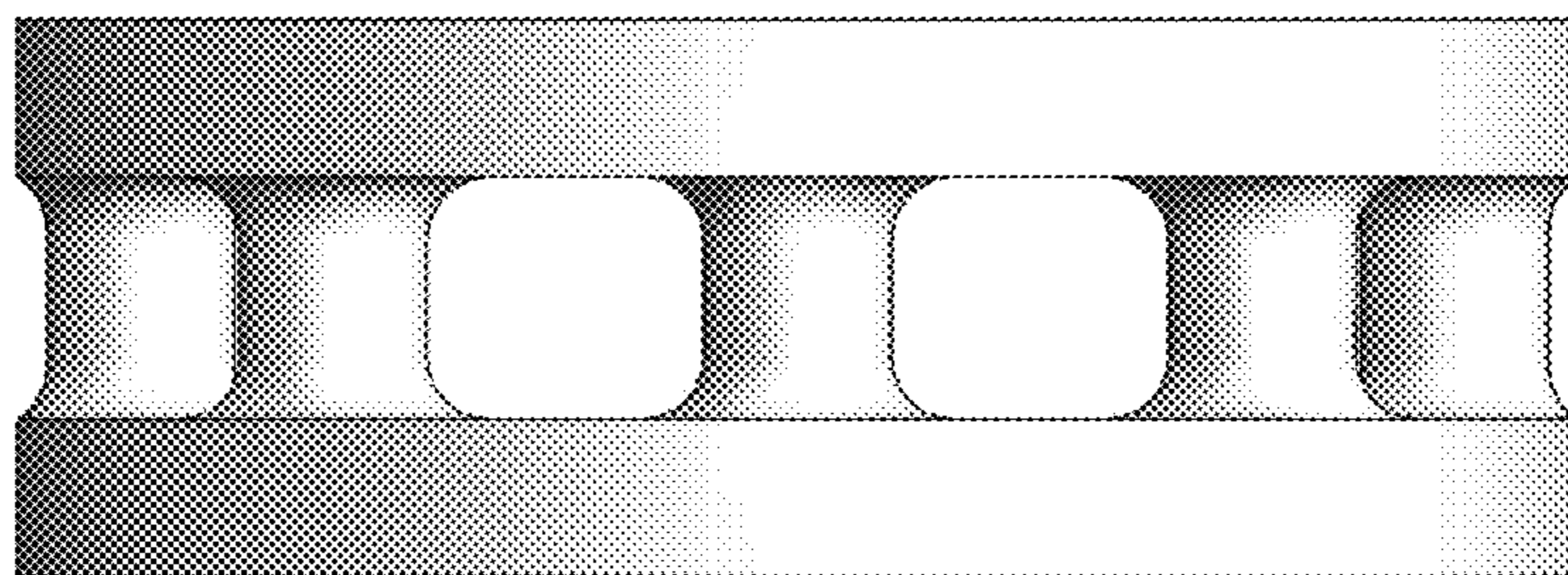


FIG. 3

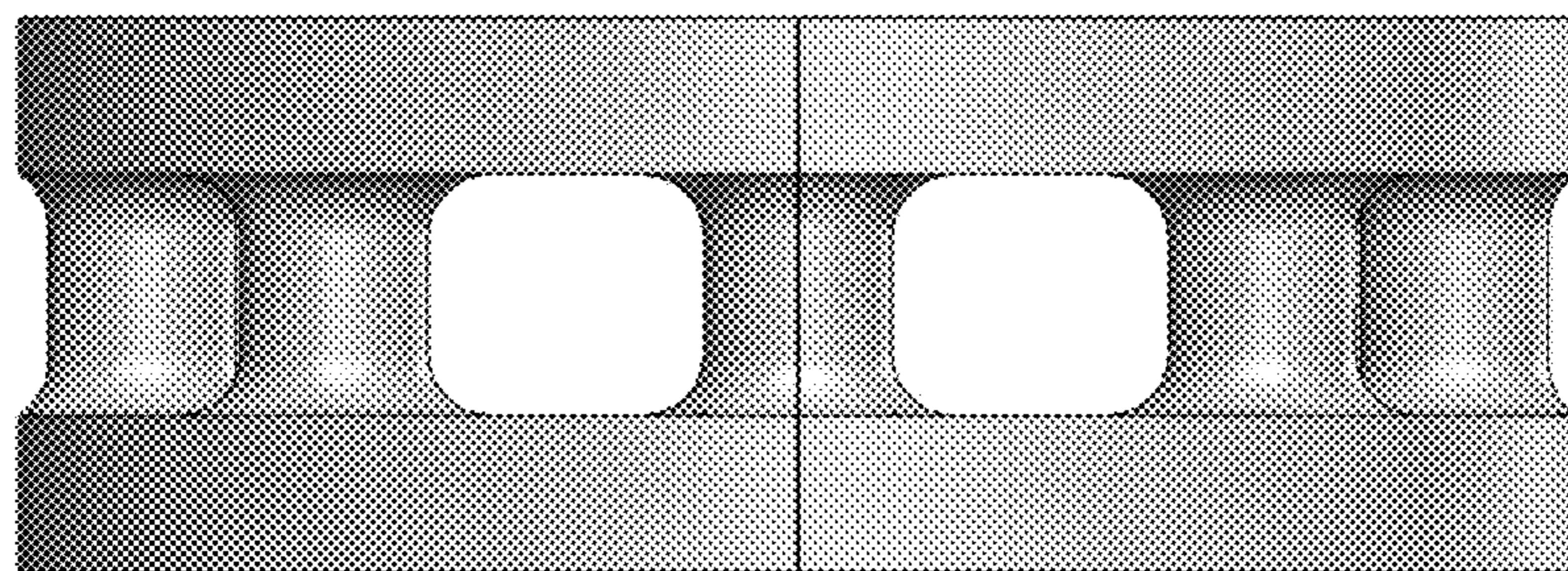


FIG. 4

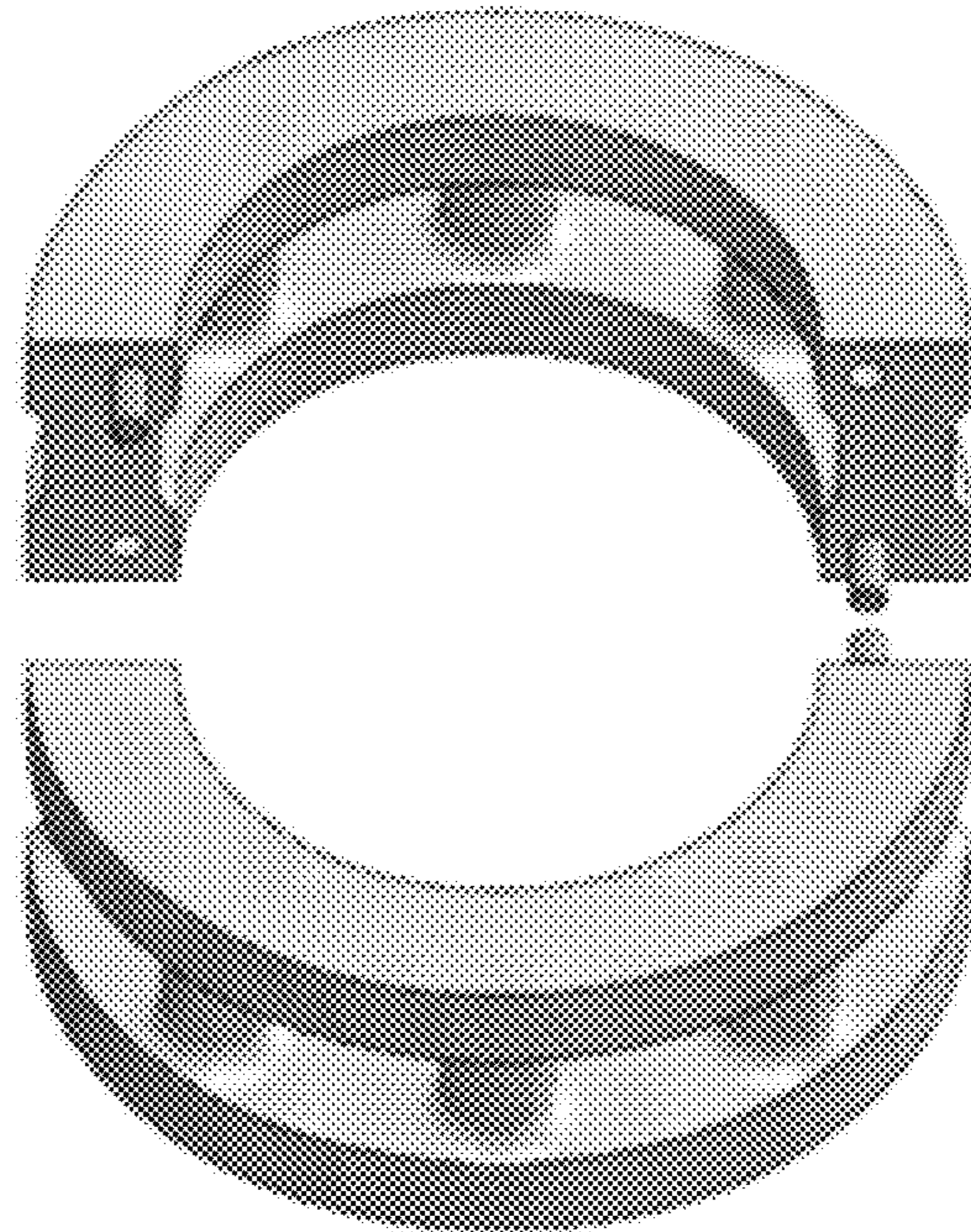


FIG. 5