



US00D917672S

(12) **United States Design Patent**  
**Roh et al.**

(10) **Patent No.:** **US D917,672 S**  
(45) **Date of Patent:** **\*\* Apr. 27, 2021**

(54) **WATER TAP FOR WATER PURIFIER**

(71) Applicant: **LG Electronics Inc.**, Seoul (KR)

(72) Inventors: **Hyoungwon Roh**, Seoul (KR);  
**Sookyung Kang**, Seoul (KR); **Najung Cho**, Seoul (KR); **Kyukwan Choi**, Seoul (KR)

(73) Assignee: **LG ELECTRONICS INC.**, Seoul (KR)

(\*\*) Term: **15 Years**

(21) Appl. No.: **35/508,762**

(22) Filed: **May 27, 2019**

(80) **Hague Agreement Data**

Int. Filing Date: **May 27, 2019**  
Int. Reg. No.: **DM/206172**  
Int. Reg. Date: **May 27, 2019**  
Int. Reg. Pub. Date: **Mar. 6, 2020**

(51) **LOC (13) Cl.** ..... **23-01**

(52) **U.S. Cl.**  
USPC ..... **D23/255**

(58) **Field of Classification Search**  
USPC ..... D23/207, 209, 238–255  
CPC ..... C02F 1/283; C02F 1/001; C02F 1/008;  
C02F 1/004; C02F 1/78; C02F 1/32;  
C02F 1/325; C02F 1/441; C02F 1/42;  
C02F 1/02; C02F 1/20; C02F 1/281;  
C02F 1/46; C02F 1/461; C02F 1/46104;  
C02F 1/505; C02F 1/68

See application file for complete search history.

(56) **References Cited**

**U.S. PATENT DOCUMENTS**

D289,076 S \* 3/1987 Paul ..... D23/238  
D532,086 S \* 11/2006 Haug ..... D23/252  
D557,383 S \* 12/2007 Garner ..... D23/255

D592,733 S \* 5/2009 Lammel ..... D23/255  
D608,863 S \* 1/2010 Pan ..... D23/255  
D643,512 S \* 8/2011 Matsuura ..... D23/238  
D672,187 S \* 12/2012 Milewski ..... D7/306  
D683,421 S \* 5/2013 Choi ..... D23/207

(Continued)

*Primary Examiner* — Natasha Vujcic

(74) *Attorney, Agent, or Firm* — Birch, Stewart, Kolasch & Birch, LLP

(57) **CLAIM**

The ornamental design for a water tap for water purifier, as shown and described.

**DESCRIPTION**

1. Water tap for water purifier

1.2 : Front

1.3 : Back

1.4 : Left

1.5 : Top

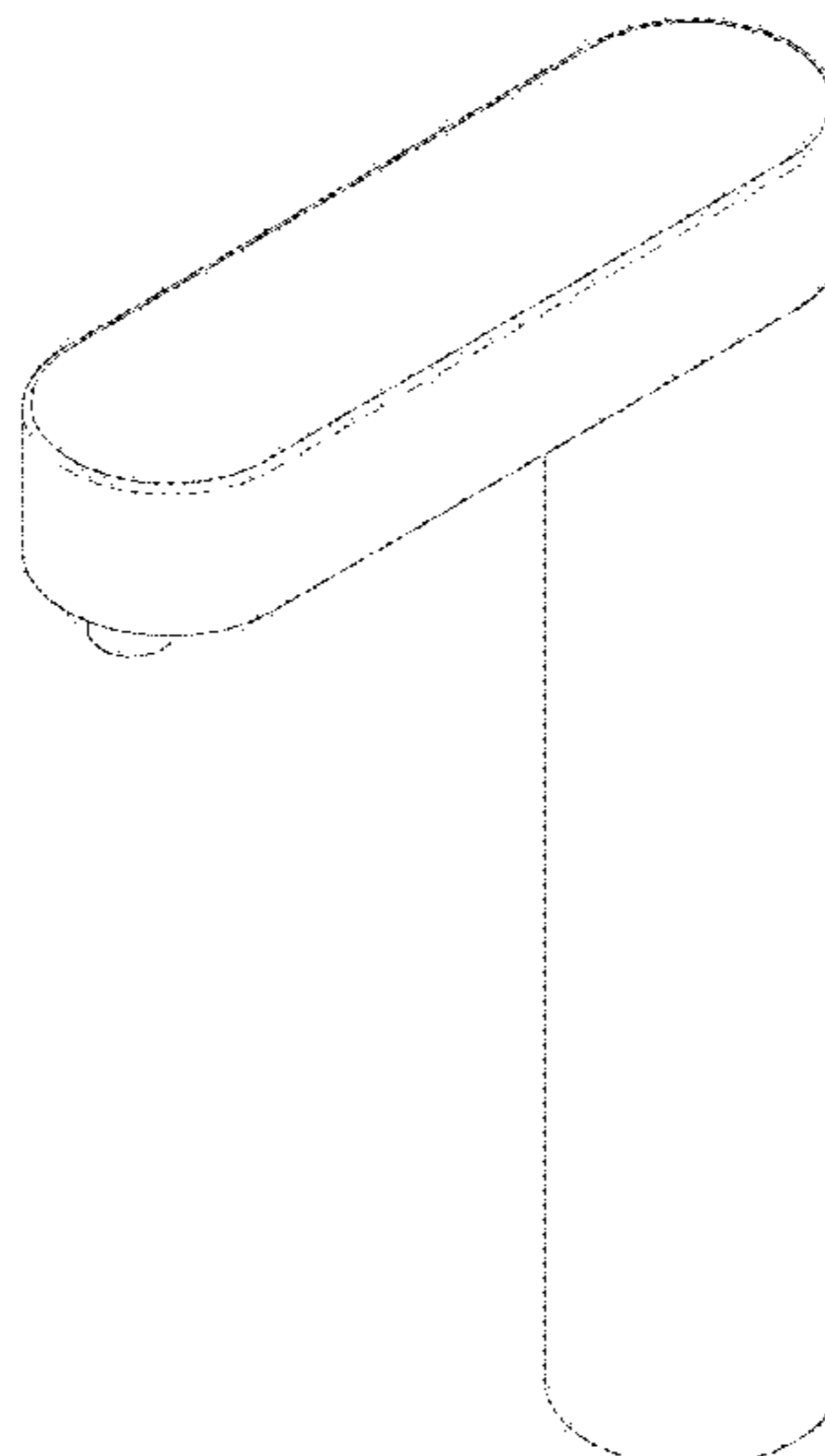
1.6 : Bottom

1.7 : Reference view

1.8 : Reference view 2

The broken lines depict portions of water tap for water purifier that form no part of the claimed design; reproduction 1.1 is a front perspective view of the water tap for water purifier; reproduction 1.2 is a front view thereof; reproduction 1.3 is a back view thereof; reproduction 1.4 is a left view thereof where the right view is a mirror image; reproduction 1.5 is a top view thereof; reproduction 1.6 is a bottom view thereof; reproduction 1.7 is a reference view thereof showing an example of the usage of the subject design in which the claimed design installed at a sink; reproduction 1.8 is a reference view thereof showing the upper water outlet part is able to rotate 180 degrees and the touch type buttons have been operated at the top part; this design is for a water tap for water purifier made of synthetic resin and metal which is able to install at a sink as shown in reproduction 1.7; as shown in reproduction 1.8, the upper water outlet part is able to rotate 180 degrees and there are touch buttons on the top.

**1 Claim, 8 Drawing Sheets**



(56)

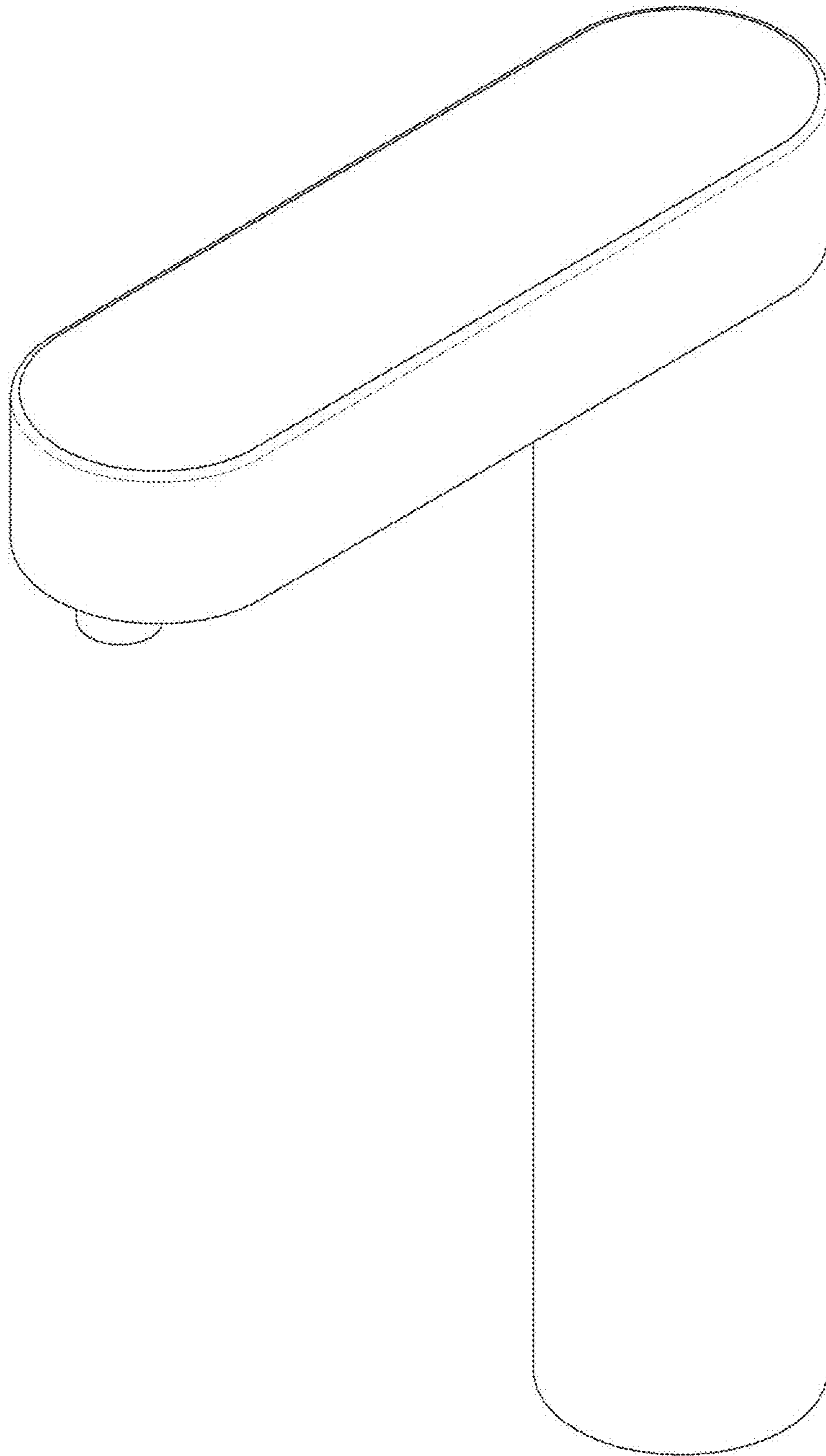
**References Cited**

U.S. PATENT DOCUMENTS

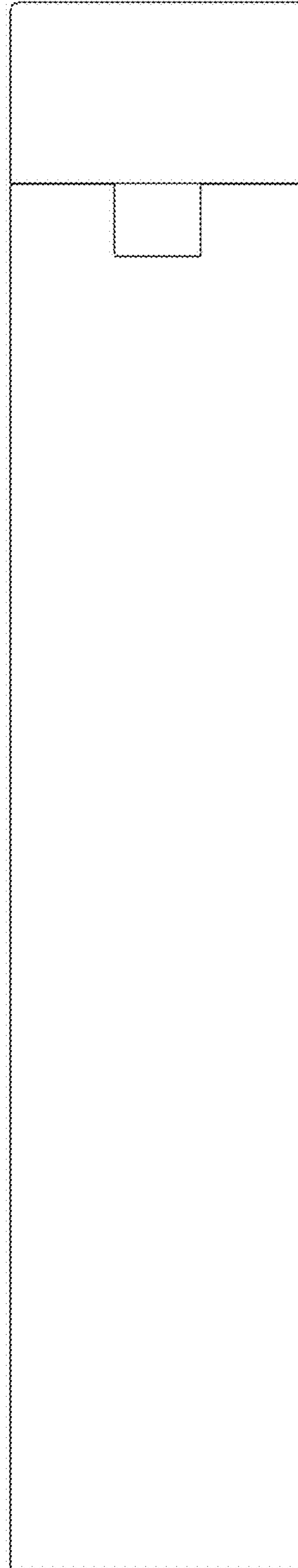
D693,904 S	*	11/2013	Hahn	.....	D23/238
D718,414 S	*	11/2014	Lo	.....	D23/207
D759,205 S	*	6/2016	Eads	.....	D23/238
D828,514 S	*	9/2018	Ryu	.....	D23/238
D848,581 S	*	5/2019	Fritz	.....	D23/255
D897,502 S	*	9/2020	Kang	.....	D23/255
D899,840 S	*	10/2020	Hellweg	.....	D7/306
D901,643 S	*	11/2020	Soulier	.....	D23/255

\* cited by examiner

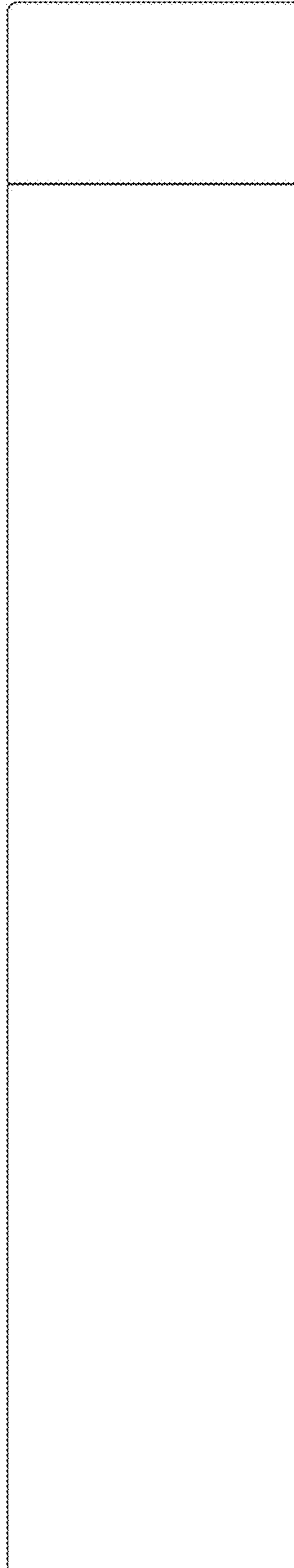
1.1



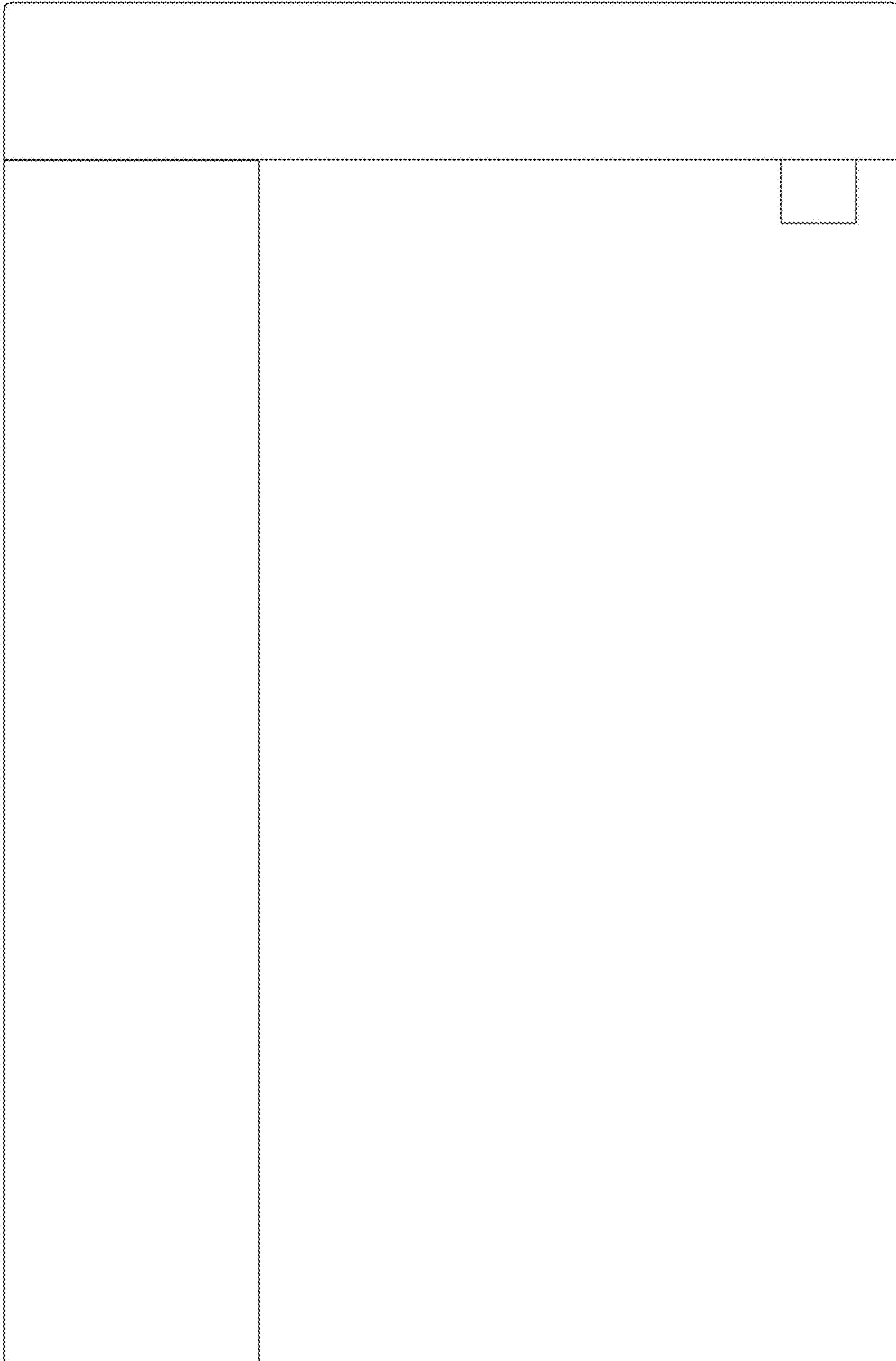
1.2



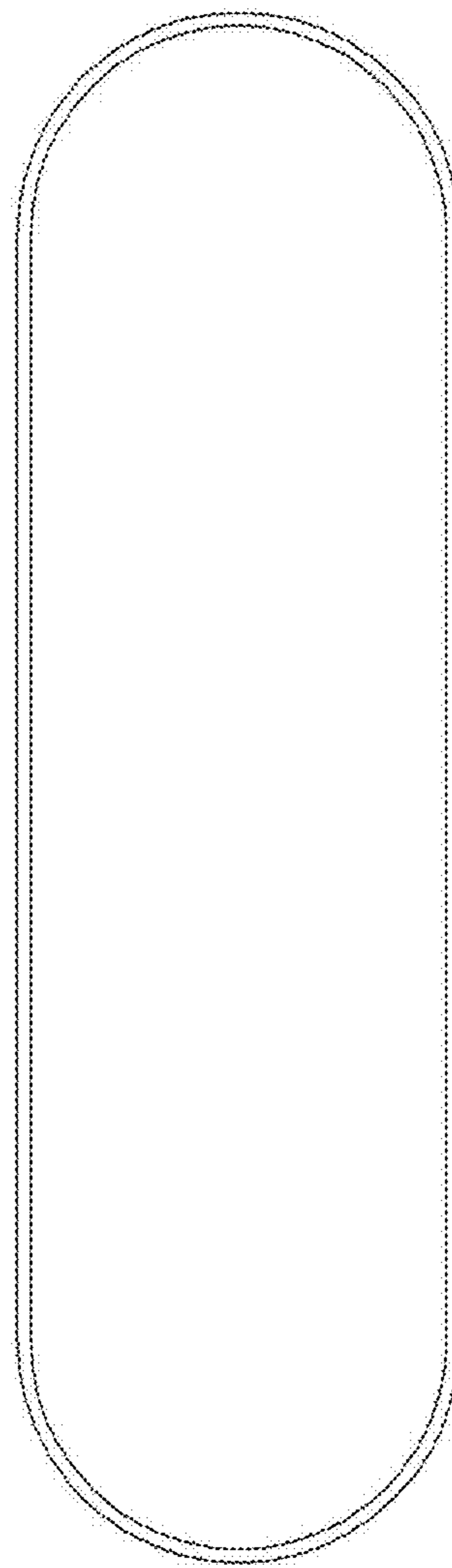
1.3



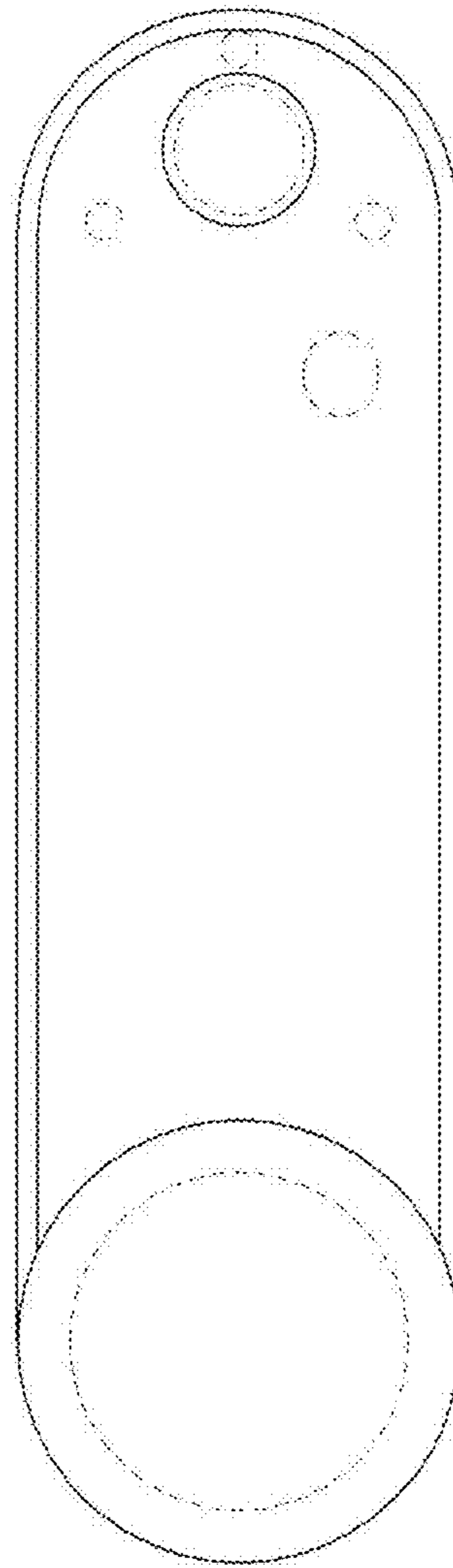
1.4



1.5

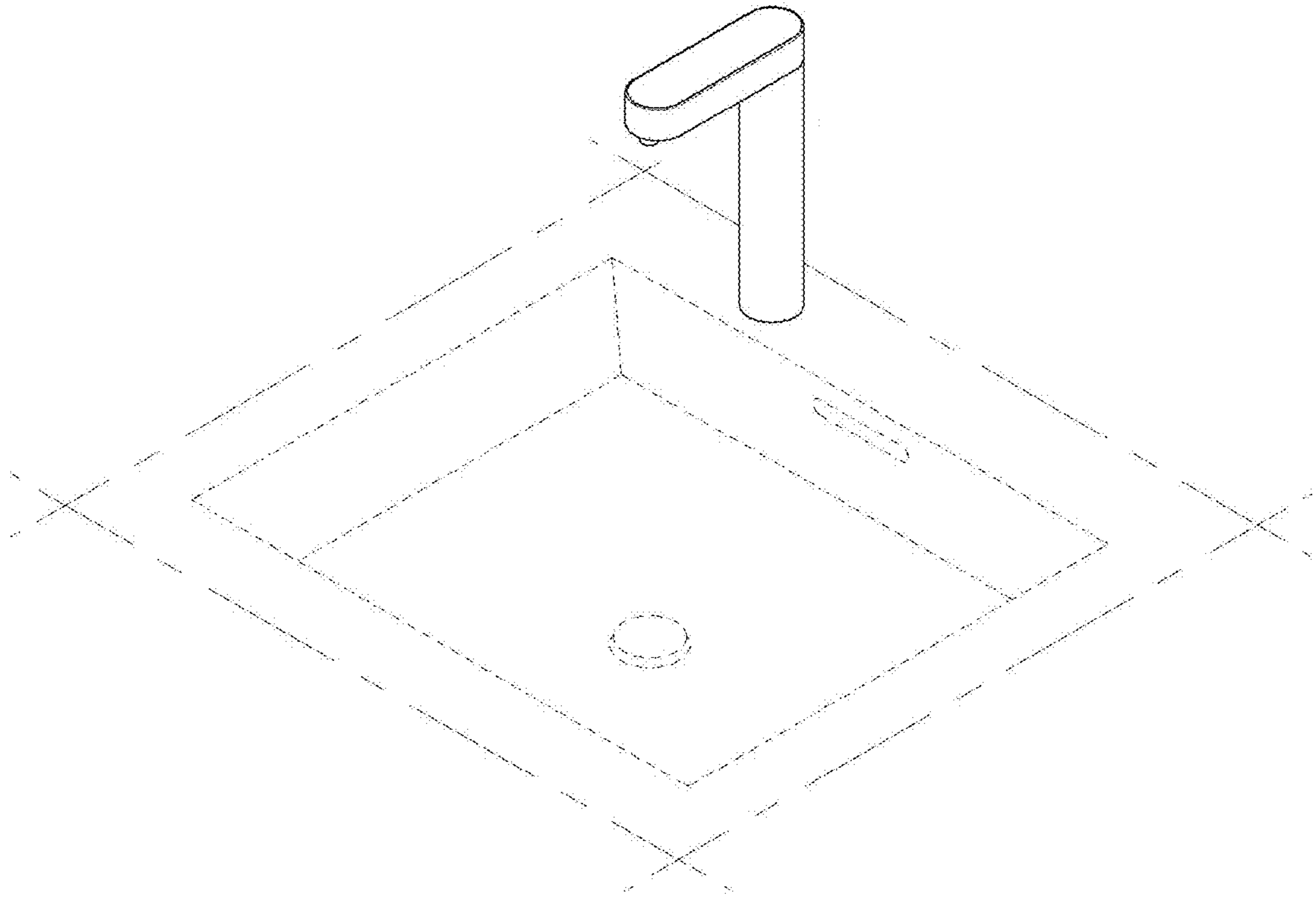


1.6





1.7



1.8

