



US00D917671S

(12) **United States Design Patent**  
**Eads**

(10) **Patent No.:** **US D917,671 S**

(45) **Date of Patent:** **\*\* Apr. 27, 2021**

(54) **VALVE HANDLE**

(71) Applicant: **DELTA FAUCET COMPANY,**  
Indianapolis, IN (US)

(72) Inventor: **Thad Eads,** Urbana, IN (US)

(73) Assignee: **DELTA FAUCET COMPANY,**  
Indianapolis, IN (US)

(\*\*) Term: **15 Years**

(21) Appl. No.: **29/683,441**

(22) Filed: **Mar. 13, 2019**

(51) **LOC (13) Cl.** ..... **23-01**

(52) **U.S. Cl.**  
USPC ..... **D23/254**

(58) **Field of Classification Search**  
USPC ..... D23/250, 252, 254, 238-243, 249;  
D8/307-308, 352-353  
CPC ..... E03C 1/0408; E03C 1/09; E03C 1/042;  
E03C 1/0412  
See application file for complete search history.

(56) **References Cited**

**U.S. PATENT DOCUMENTS**

2,190,192 A \* 2/1940 Raymond ..... E05B 1/0015  
16/417  
D174,222 S \* 3/1955 Howie ..... D7/393

D193,885 S \* 10/1962 Andrews ..... D23/238  
D285,246 S \* 8/1986 Fetty ..... D23/250  
D302,109 S \* 7/1989 Cayce ..... D8/398  
D524,918 S \* 7/2006 Barry ..... D23/249  
D787,295 S \* 5/2017 Young ..... D8/307  
D796,642 S \* 9/2017 Andrew ..... D23/253

\* cited by examiner

*Primary Examiner* — Robert A Delehanty

(74) *Attorney, Agent, or Firm* — Nirav D. Parikh; Edgar  
A. Zarins

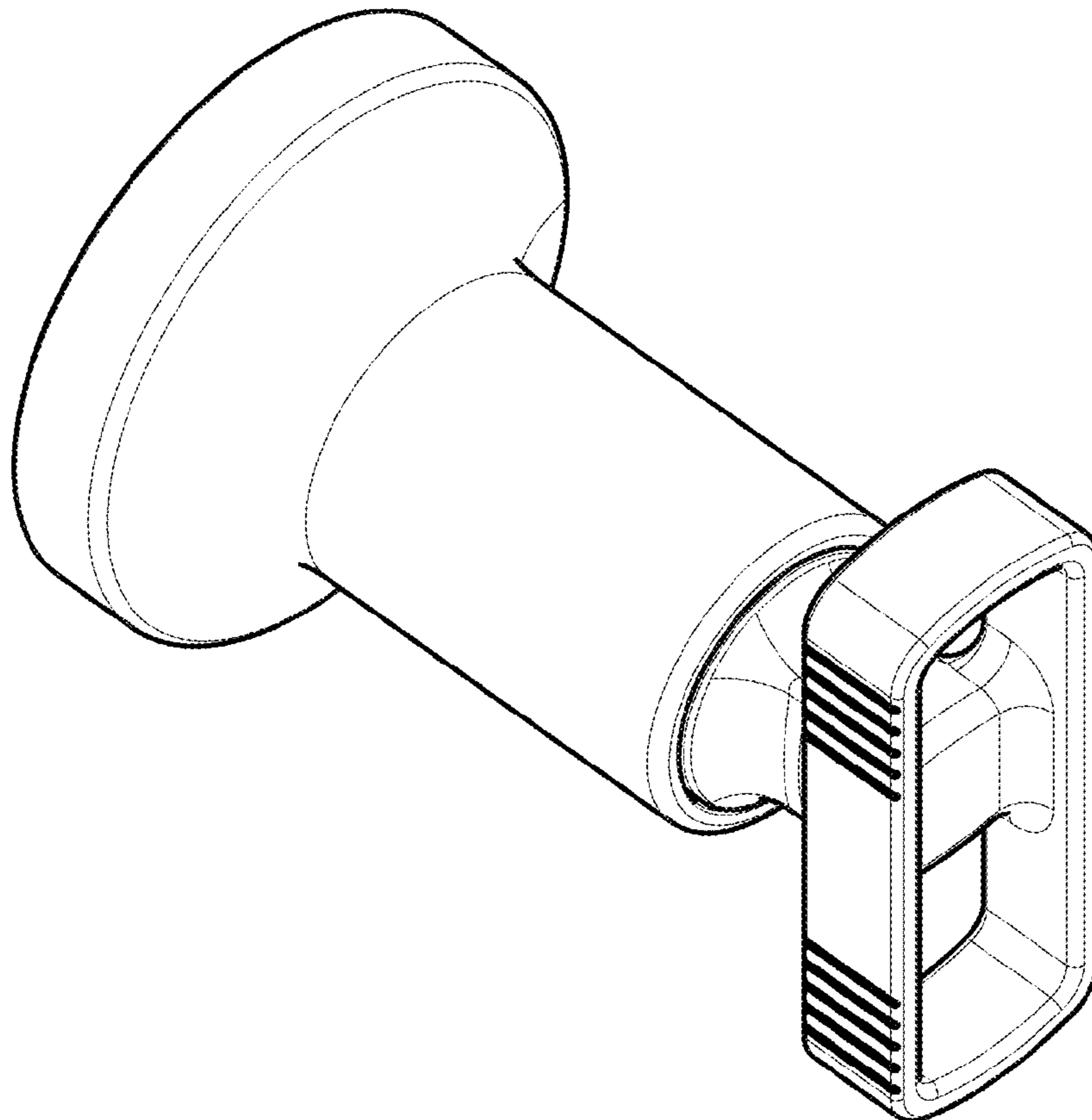
(57) **CLAIM**

The ornamental design for a valve handle, as shown and  
described.

**DESCRIPTION**

FIG. 1 is a front perspective view of a valve handle showing  
my new design;  
FIG. 2 is a rear perspective view thereof;  
FIG. 3 is a front elevational view thereof;  
FIG. 4 is a left side view thereof;  
FIG. 5 is a rear view thereof;  
FIG. 6 is a right side view thereof;  
FIG. 7 is a top plan view thereof; and,  
FIG. 8 is a bottom view thereof.

**1 Claim, 4 Drawing Sheets**



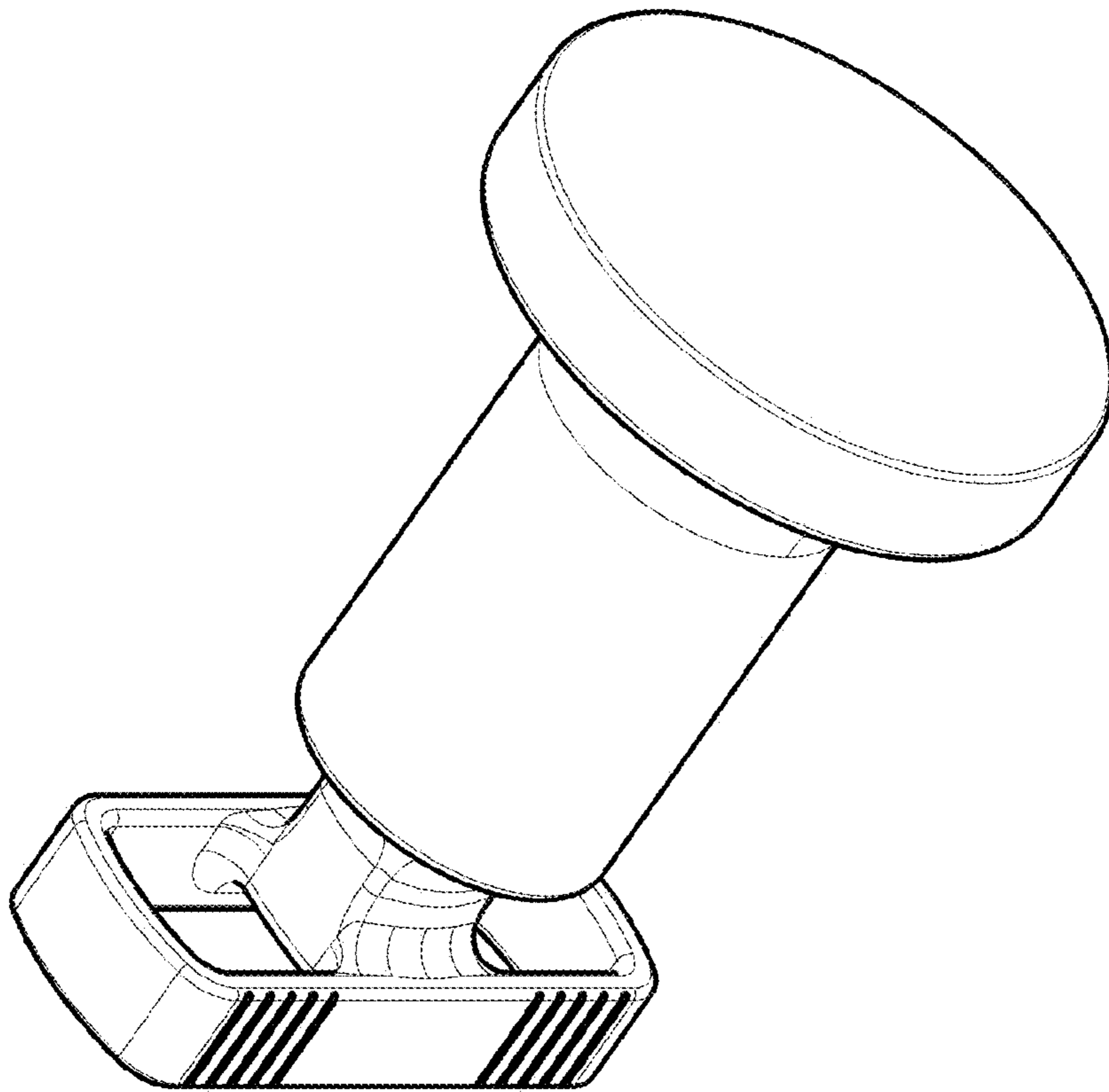


FIG - 2

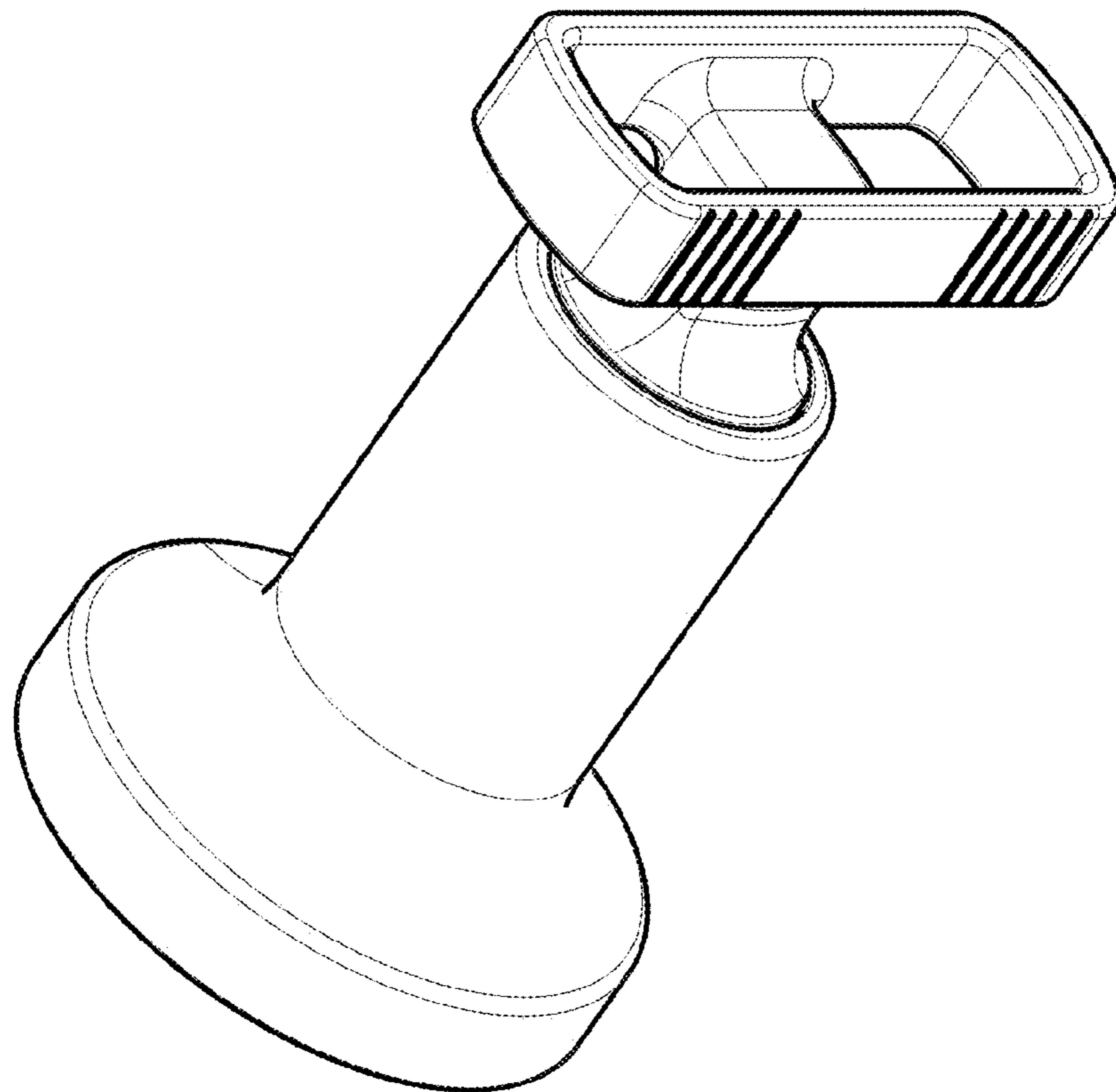


FIG - 1

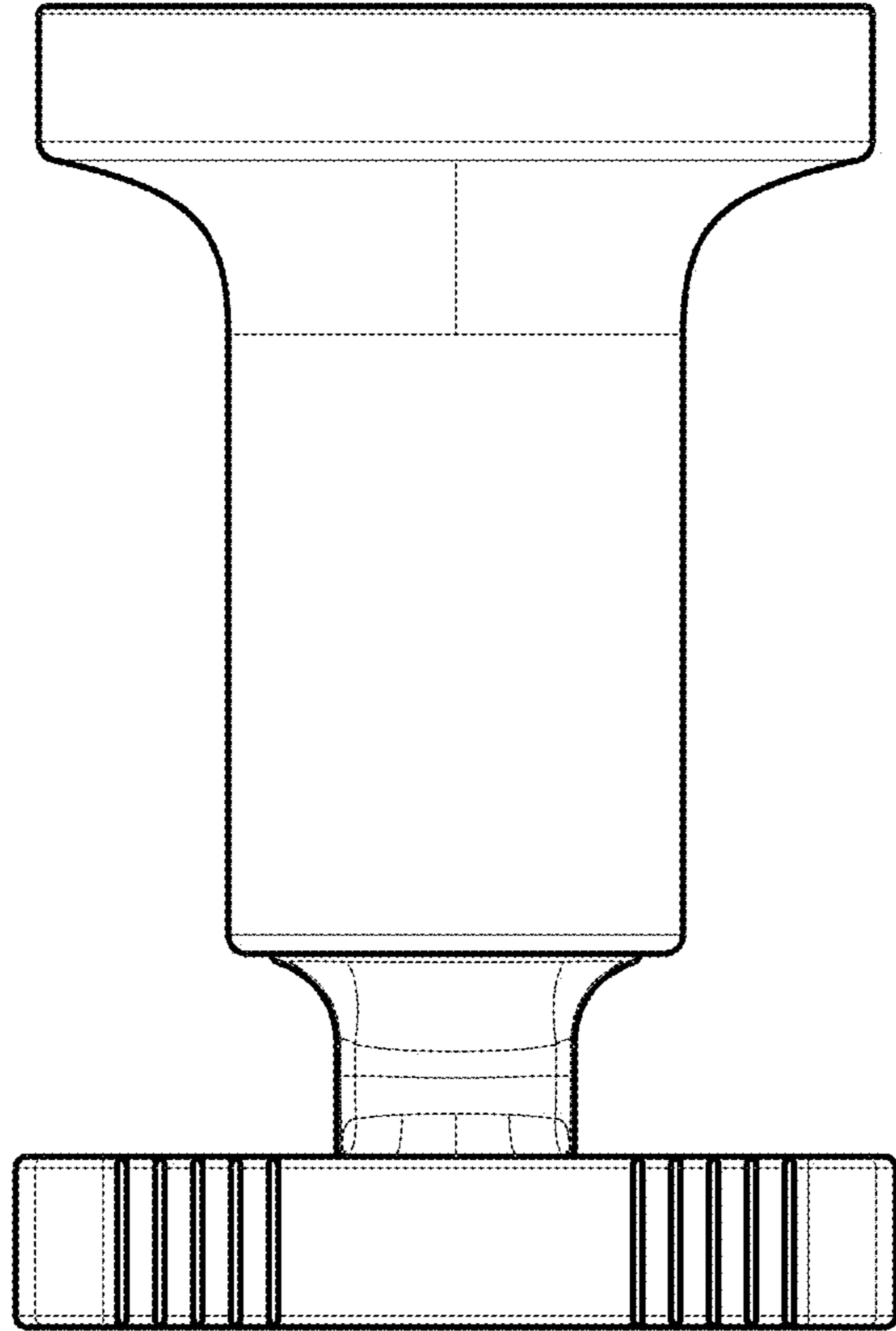


FIG - 4

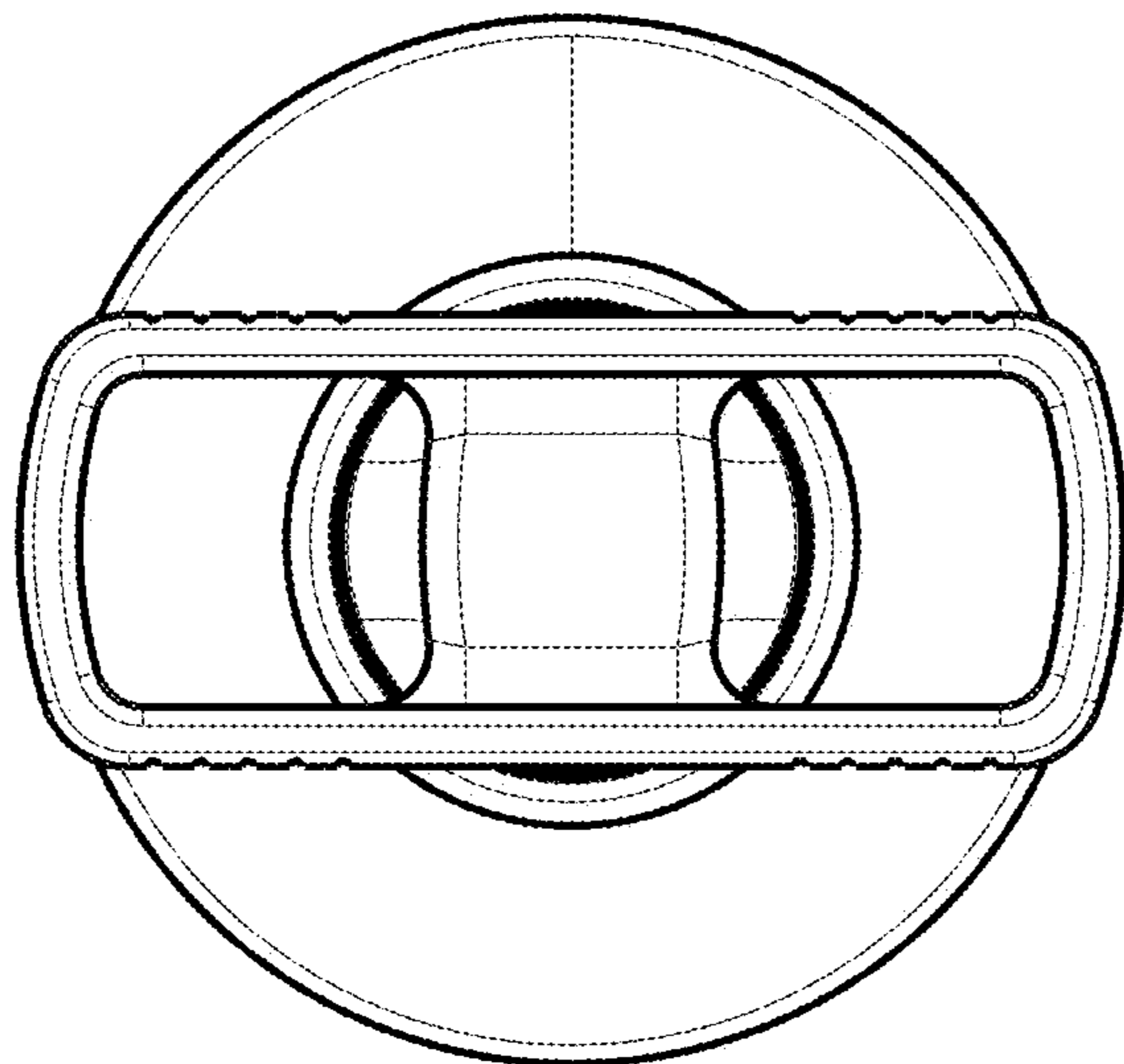


FIG - 3

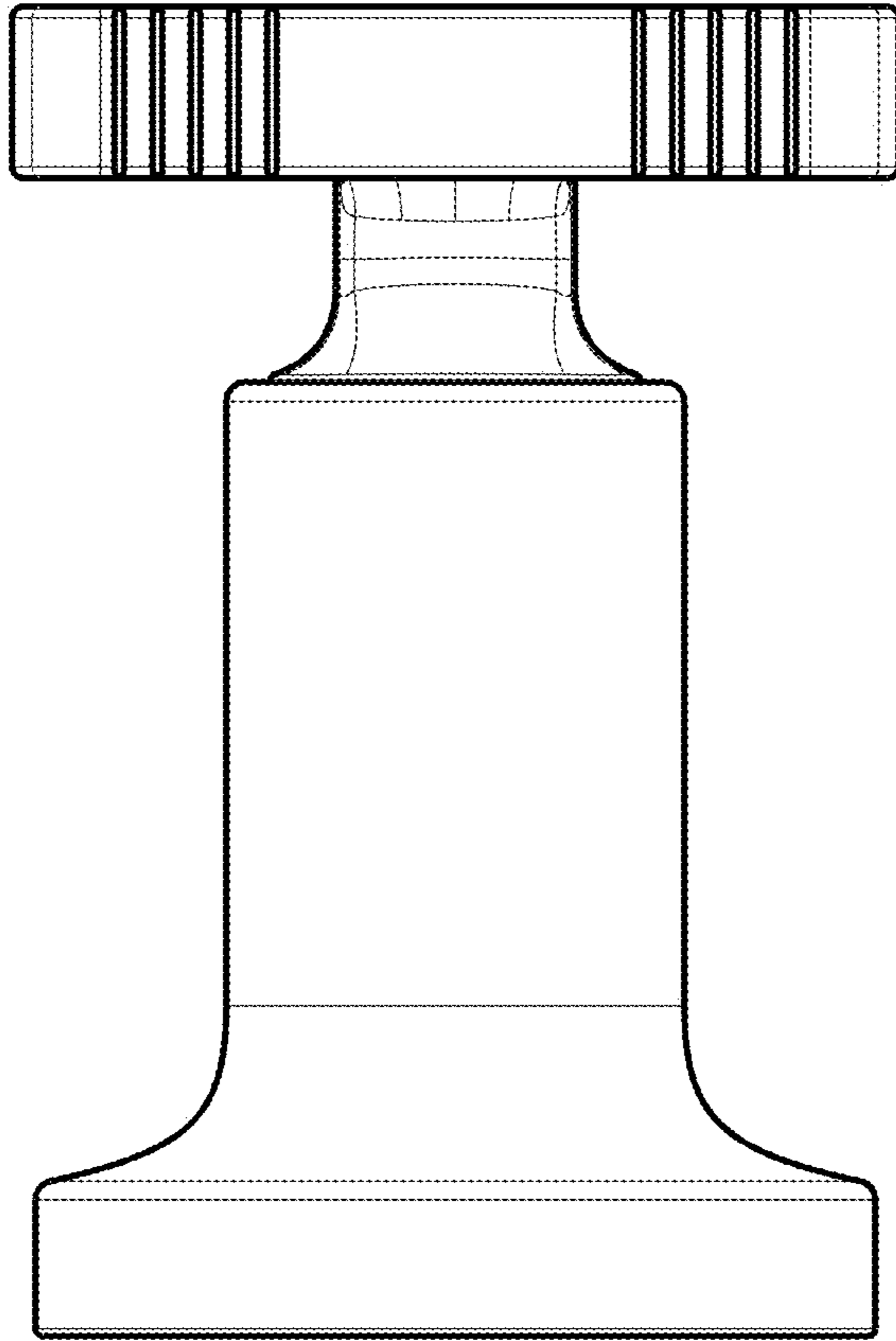


FIG - 6

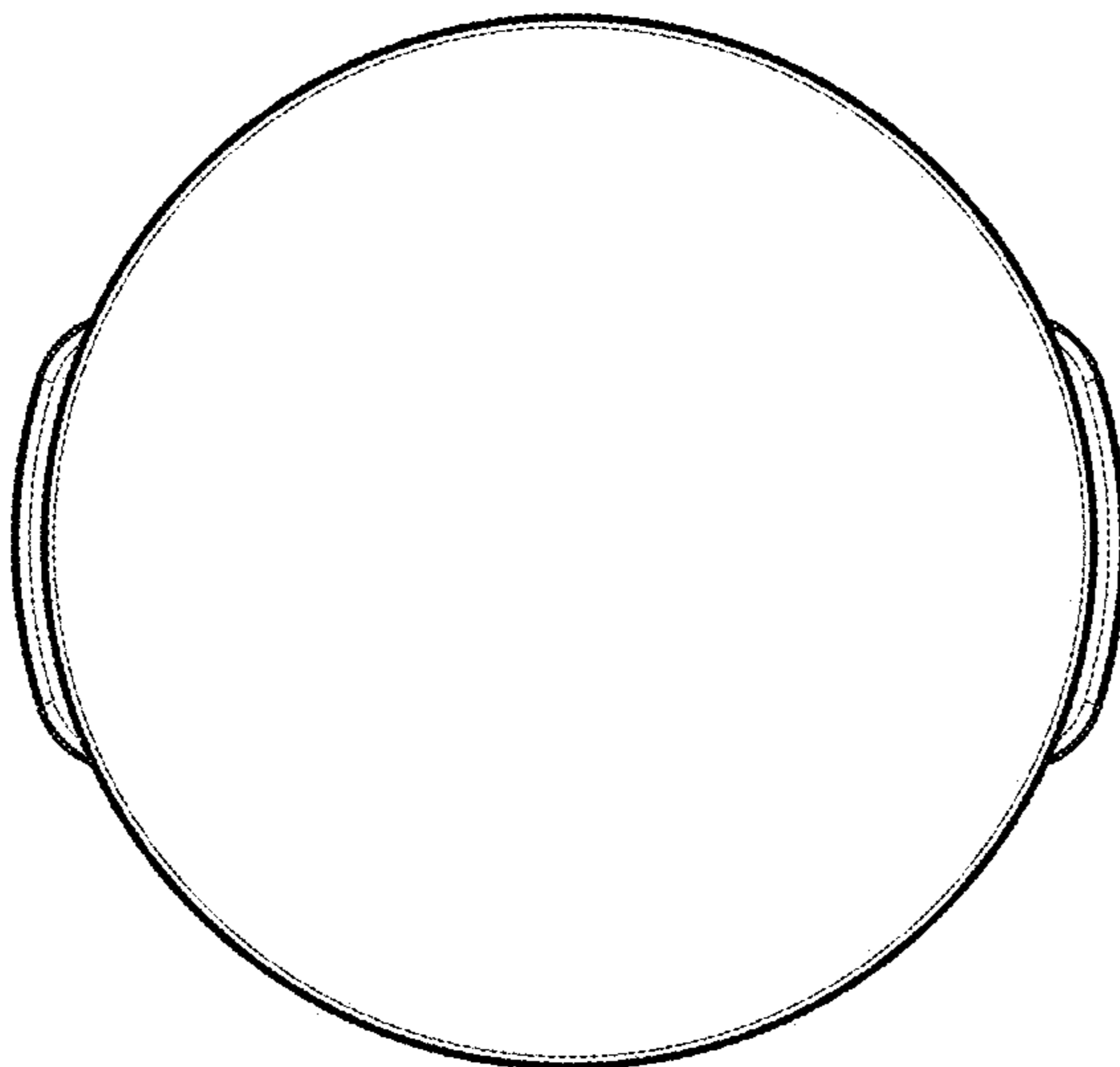


FIG - 5

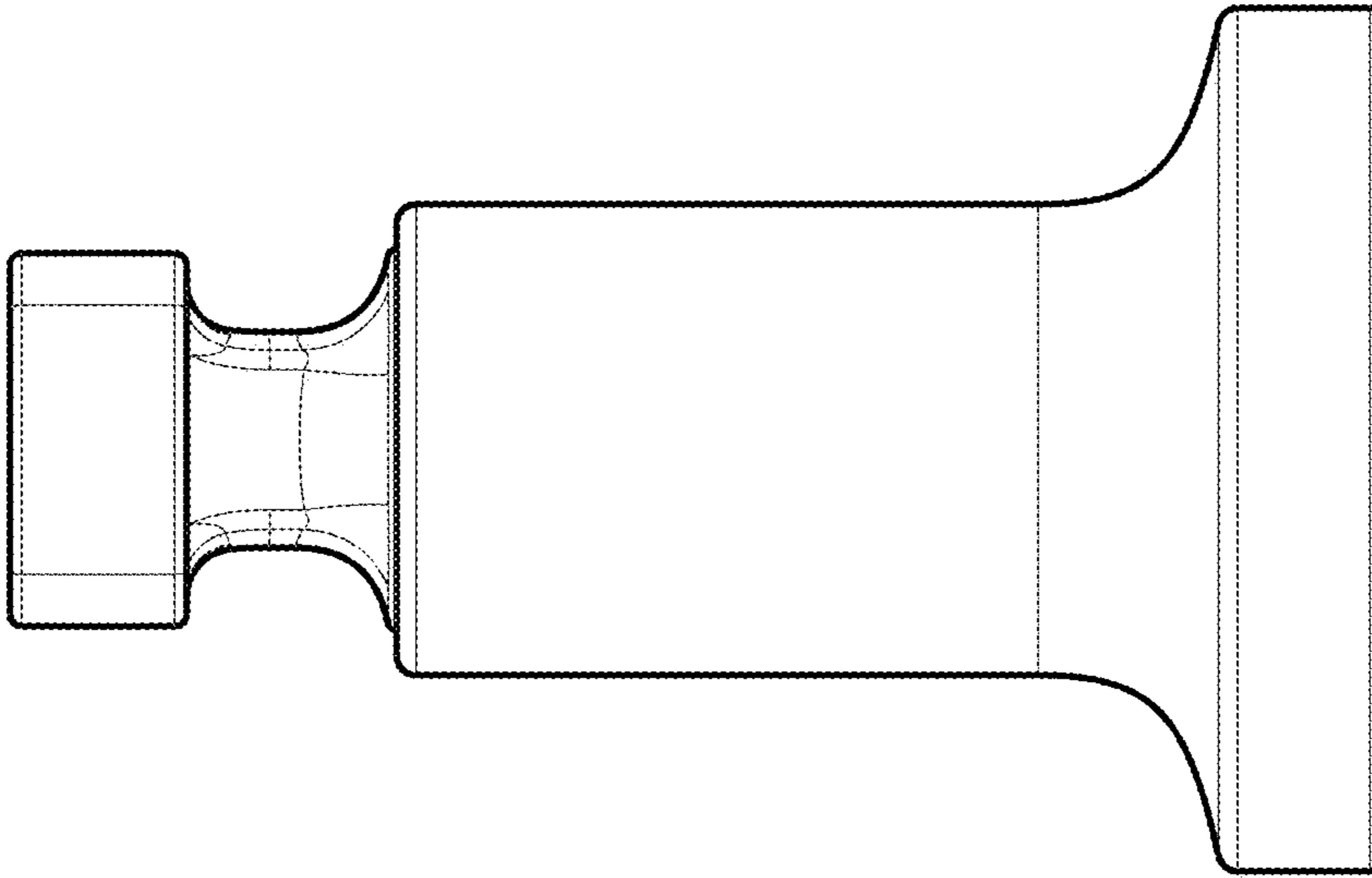


FIG - 8

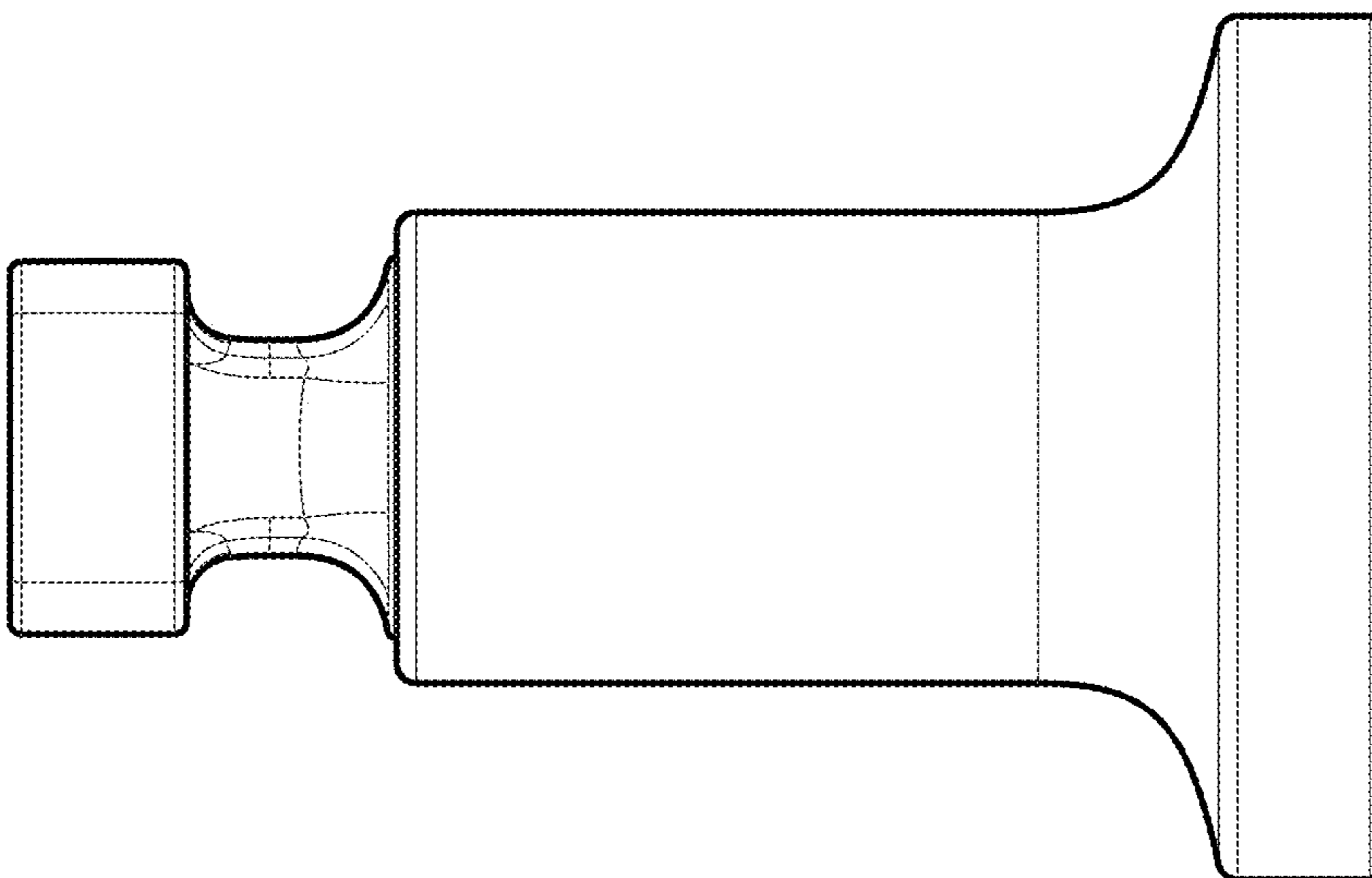


FIG - 7