



US00D917670S

(12) **United States Design Patent** (10) **Patent No.:** **US D917,670 S**
Levi (45) **Date of Patent:** **** Apr. 27, 2021**

(54) FAUCET	D557,380 S	12/2007	Shieh	
	7,380,731 B1 *	6/2008	Hsu	E03C 1/0404 239/391
(71) Applicant: ICG Licensing LLC , Port Washington, NY (US)	D576,255 S	9/2008	Nobili	
	D605,260 S	12/2009	Allard	
(72) Inventor: Russell Levi , Port Washington, NY (US)	8,413,686 B2	4/2013	Ko	
	8,869,821 B2 *	10/2014	Laera	E03C 1/0404 137/357
(73) Assignee: KRAUS USA PLUMBING LLC , Port Washington, NY (US)	D735,298 S *	7/2015	Eads	D23/238
	D802,720 S *	11/2017	Haug	D23/238
	D810,883 S	2/2018	Bahler	
	D857,844 S *	8/2019	Levi	D23/238
	D861,832 S	10/2019	Zeng	
	D862,647 S	10/2019	Zeng	
	D862,648 S	10/2019	Zeng	
	D863,505 S *	10/2019	Zeng	D23/238
	D863,506 S	10/2019	Hayner et al.	
	D867,546 S *	11/2019	Kaule	D23/255
	D890,887 S *	7/2020	Levi	D23/255
	D904,576 S *	12/2020	Levi	D23/255

(**) Term: **15 Years**
(21) Appl. No.: **29/760,917**
(22) Filed: **Dec. 4, 2020**

Related U.S. Application Data

(63) Continuation of application No. 29/734,642, filed on May 14, 2020, now Pat. No. Des. 904,576, which is a continuation of application No. 29/692,173, filed on May 23, 2019, now Pat. No. Des. 890,887, which is a continuation of application No. 29/635,946, filed on Feb. 5, 2018, now Pat. No. Des. 857,844.
(51) **LOC (13) Cl.** **23-01**
(52) **U.S. Cl.** **D23/238**
USPC **D23/238**
(58) **Field of Classification Search**
USPC D23/238-239, 249, 252, 255, 226;
D8/307-308
CPC E02C 2001/0415
See application file for complete search history.

(56) **References Cited**

U.S. PATENT DOCUMENTS

D479,309 S *	9/2003	Haug	D23/238
D520,114 S	5/2006	Starck	
D534,620 S	1/2007	Zhou	
D534,990 S	1/2007	Zhou	

(Continued)

Primary Examiner — Robert A Delehanty
(74) *Attorney, Agent, or Firm* — Carter, DeLuca & Farrell LLP

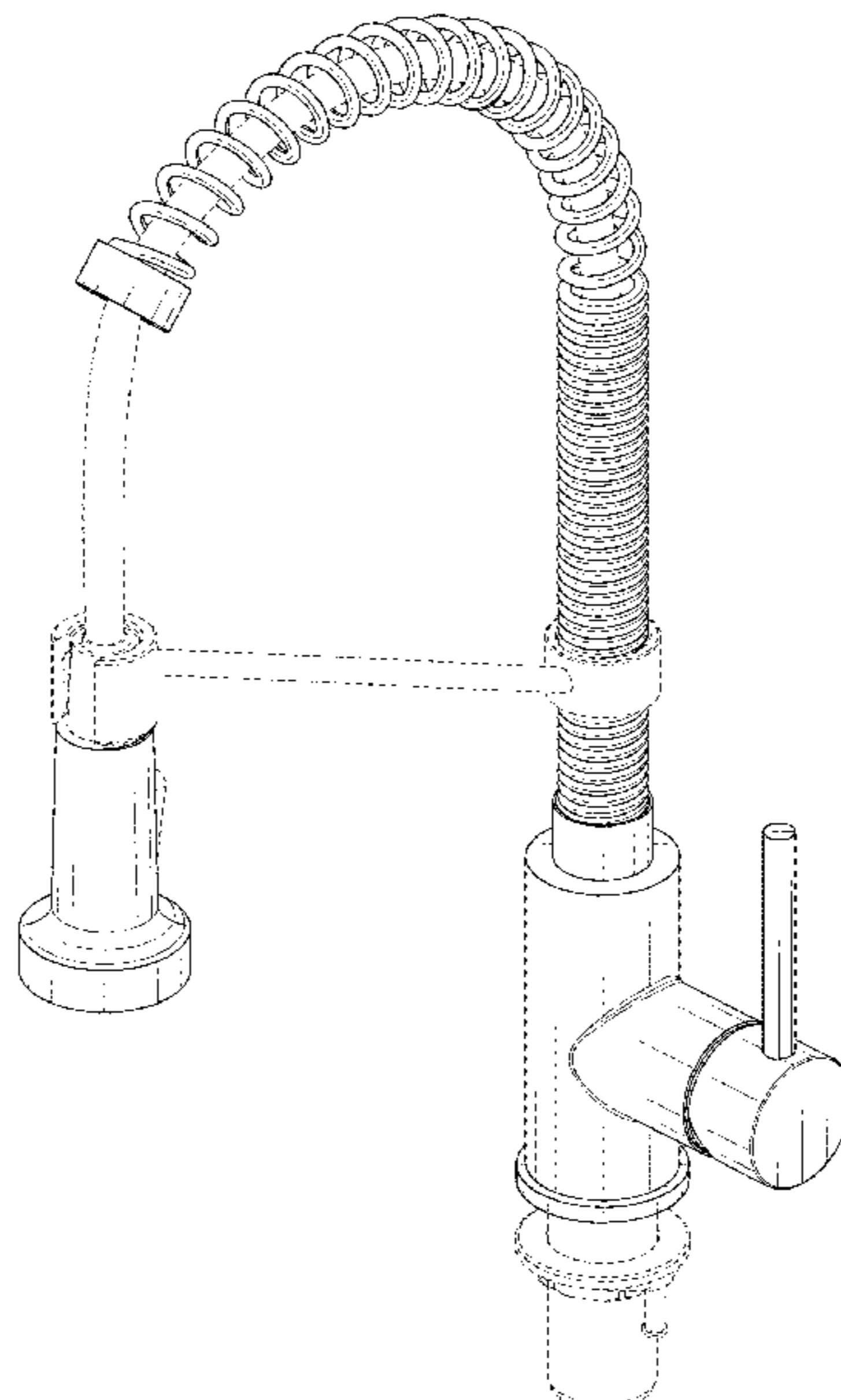
(57) **CLAIM**

The ornamental design for a faucet, as shown and described.

DESCRIPTION

FIG. 1 is a front perspective view of a faucet in accordance with the present design;
FIG. 2 is a front elevational view thereof;
FIG. 3 is a rear elevational view thereof;
FIG. 4 is a right side elevational view thereof;
FIG. 5 is a left side elevational thereof;
FIG. 6 is a top plan view thereof; and,
FIG. 7 is a bottom plan view thereof.
The broken lines shown are included for the purpose of illustrating a portion of the faucet that form no part of the claimed design.

1 Claim, 6 Drawing Sheets



(56)

References Cited

U.S. PATENT DOCUMENTS

2012/0042973 A1* 2/2012 Ko E03C 1/0404
137/801
2016/0215482 A1* 7/2016 Fourman E03C 1/0404

* cited by examiner

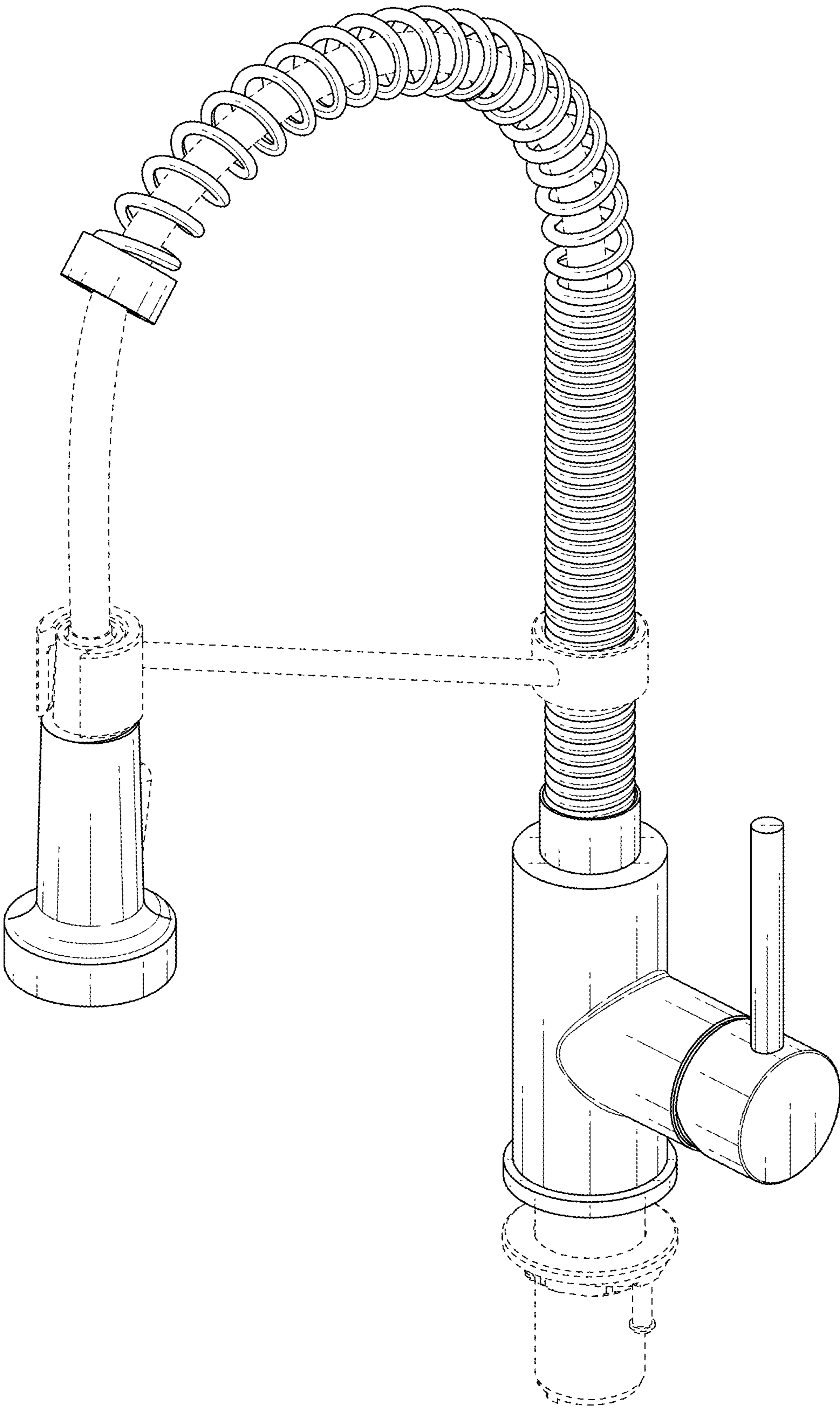


FIG. 1

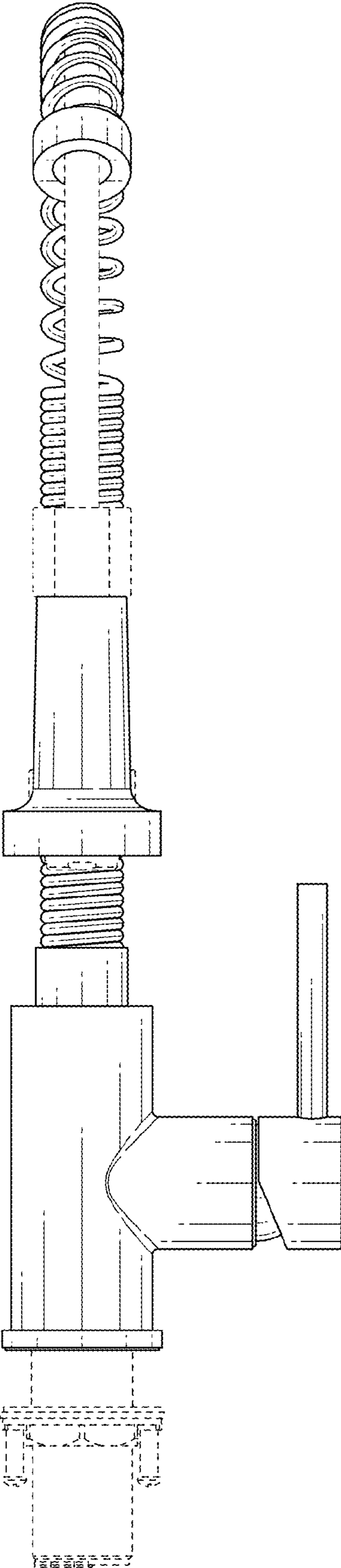


FIG. 2

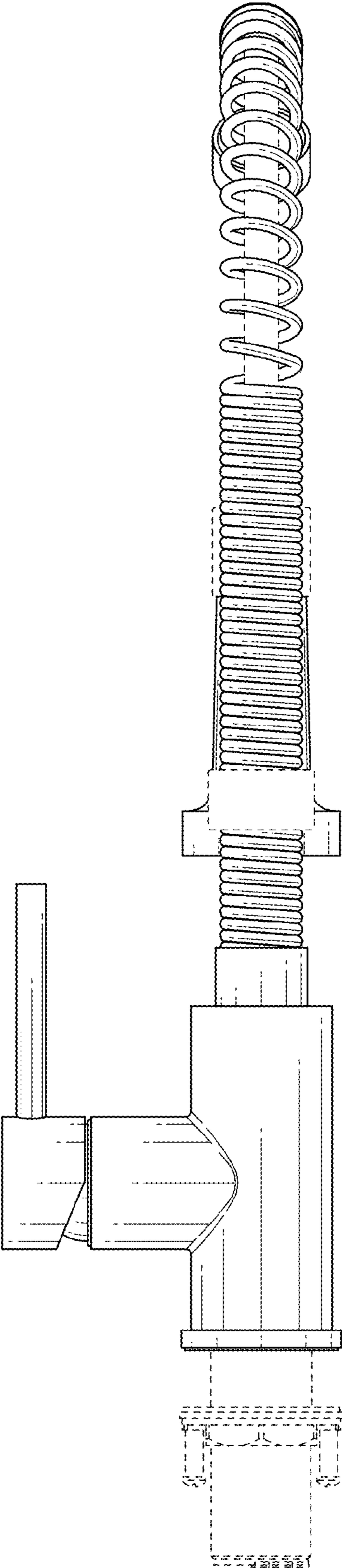


FIG. 3

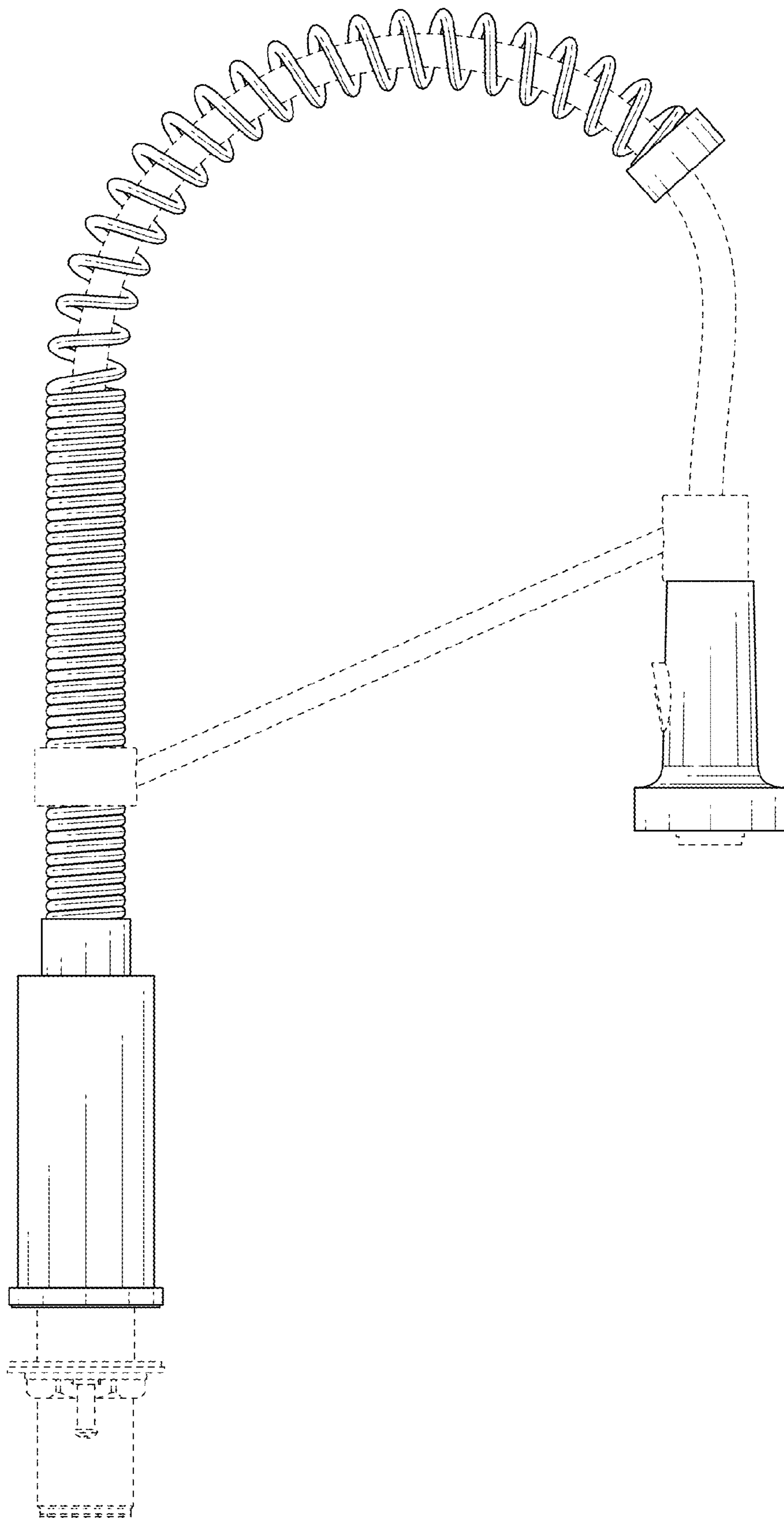


FIG. 4

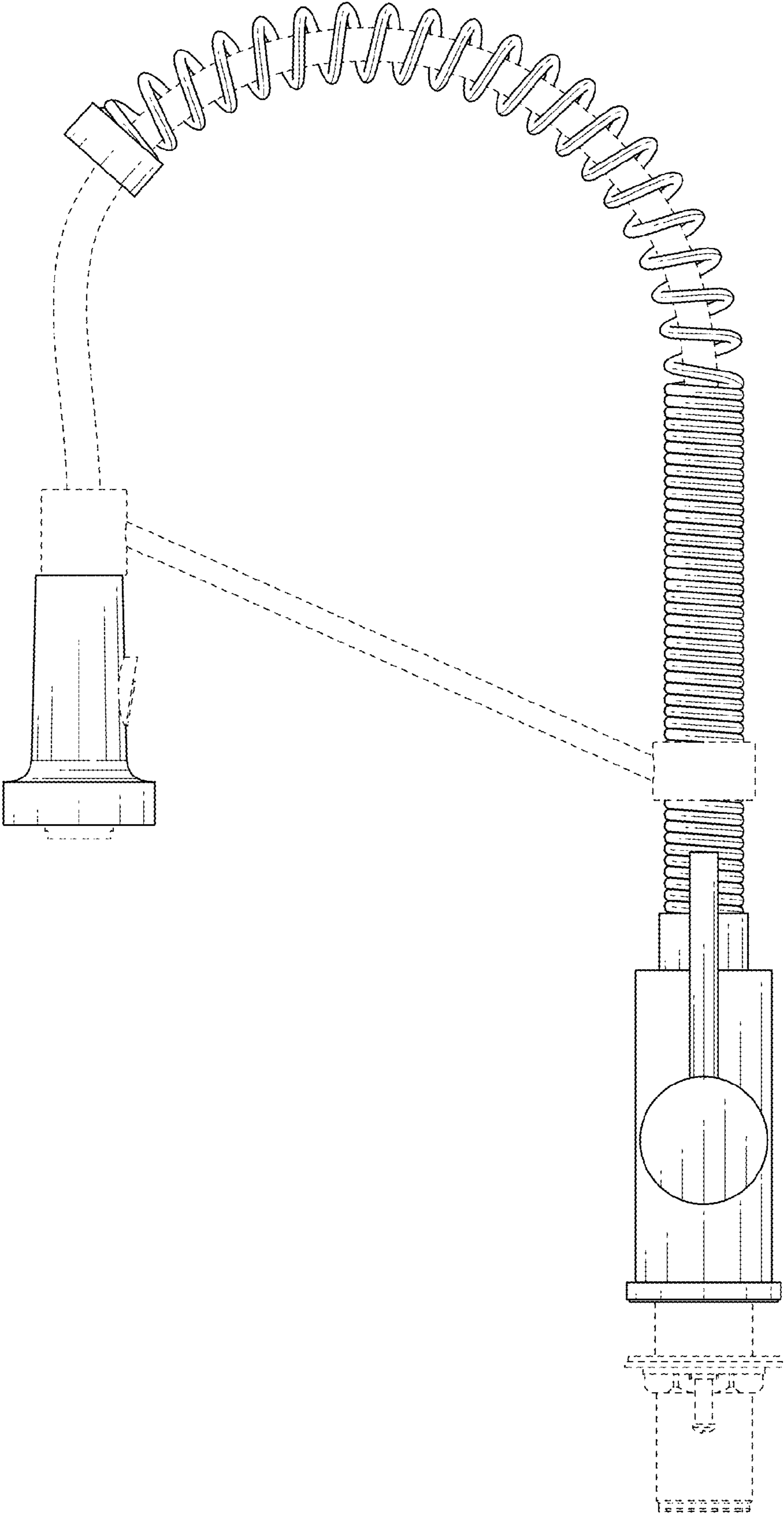


FIG. 5

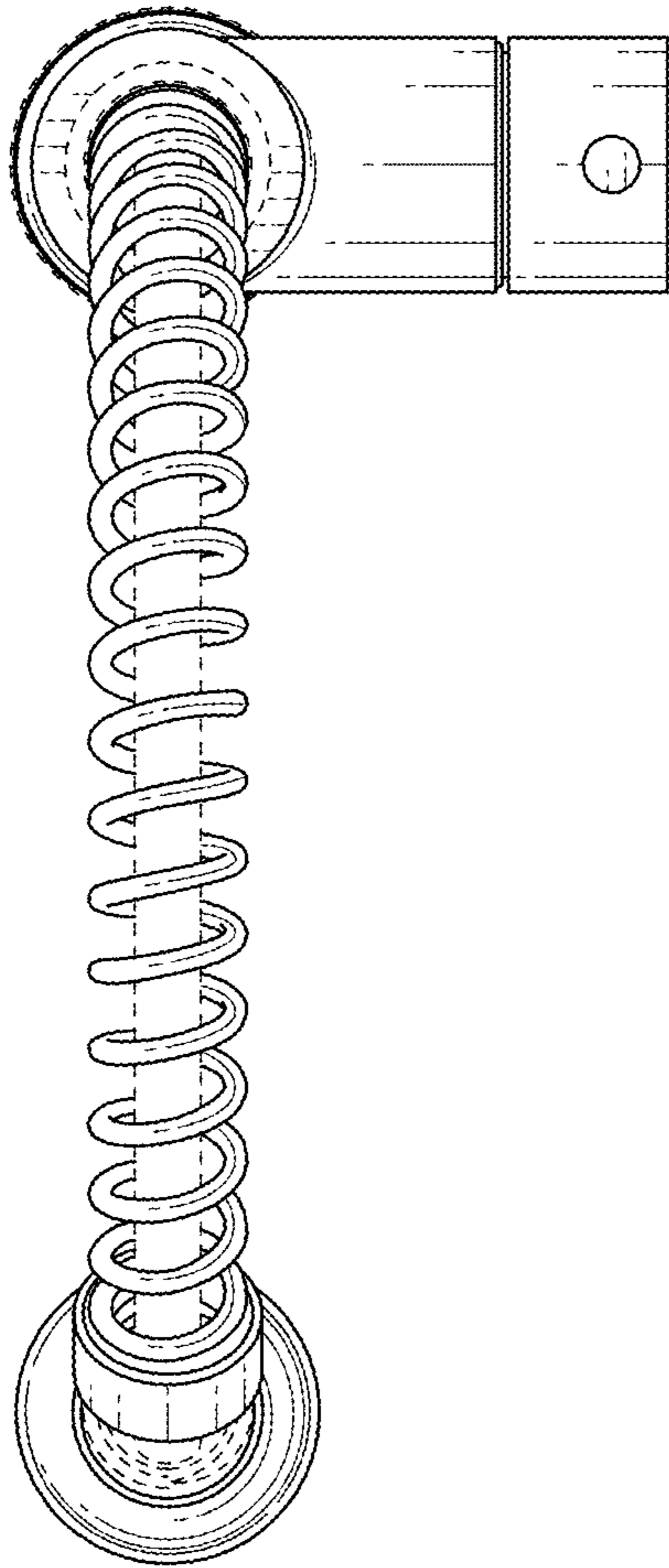


FIG. 6

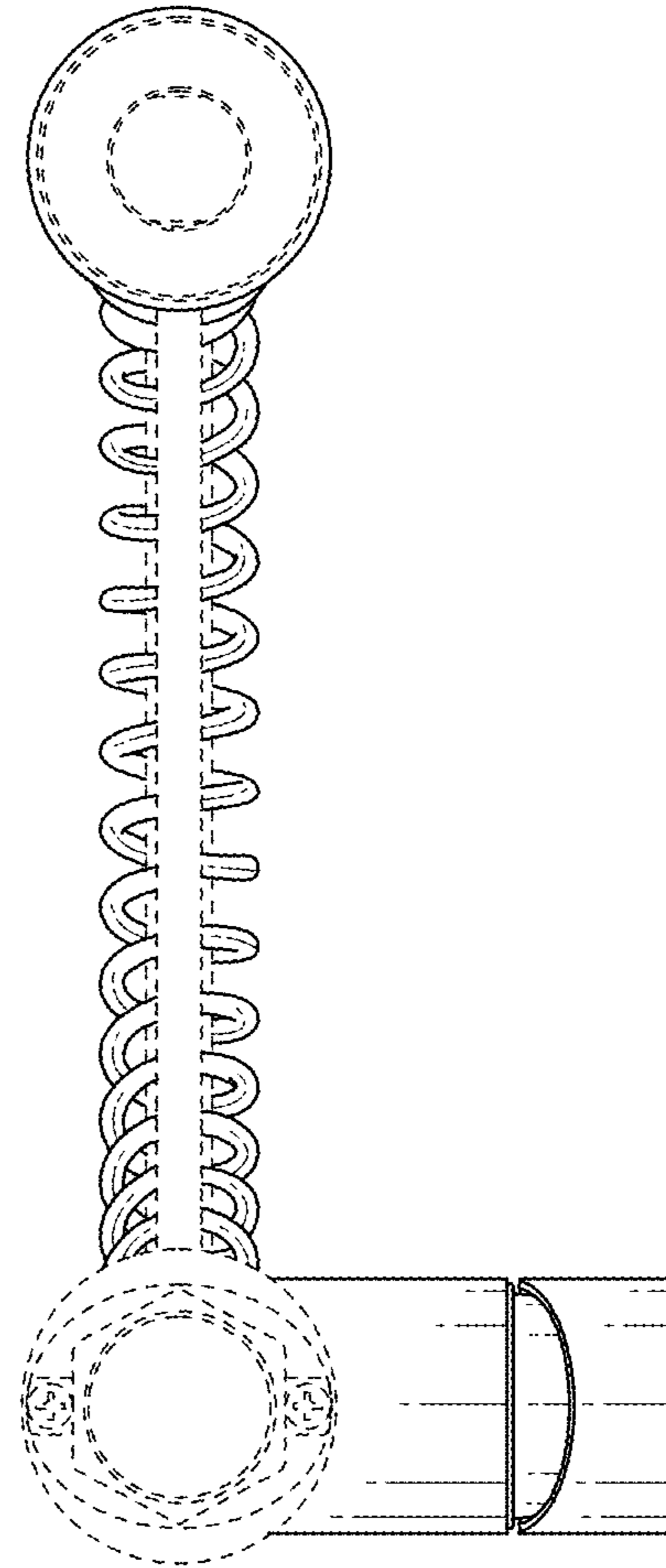


FIG. 7