



US00D917669S

(12) **United States Design Patent**
Danieli et al.

(10) **Patent No.:** **US D917,669 S**
(45) **Date of Patent:** **** Apr. 27, 2021**

(54) **VALVE**
(71) Applicant: **SODASTREAM INDUSTRIES LTD.,**
Kfar Saba (IL)
(72) Inventors: **Guy Danieli, Jerusalem (IL); Oren**
David Shalev, Ashdod (IL)

8,925,597 B1 * 1/2015 Beringer F16K 31/52
141/147
8,985,405 B2 * 3/2015 Wanbaugh B05B 11/3049
222/402.1
9,060,592 B2 * 6/2015 Brosius A45F 3/18
D858,705 S * 9/2019 Jorgensen D23/235
10,683,947 B2 * 6/2020 Won F16K 17/386

* cited by examiner

(73) Assignee: **Sodastream Industries Ltd., Kfar Saba**
(IL)

Primary Examiner — Gino Colan

(**) Term: **15 Years**

(74) *Attorney, Agent, or Firm* — Pearl Cohen Zedek
Latzer Baratz LLP

(21) Appl. No.: **29/721,593**

(22) Filed: **Jan. 22, 2020**

(57) **CLAIM**

The ornamental design for a valve, as shown and described.

(30) **Foreign Application Priority Data**

DESCRIPTION

Oct. 10, 2019 (DE) 64248

(51) **LOC (13) Cl.** **23-01**

(52) **U.S. Cl.**
USPC **D23/235**

(58) **Field of Classification Search**
USPC D23/233, 235, 237, 241–249, 259, 262;
222/402.1; 141/147; 137/382, 75
CPC F17C 2205/0323; F17C 2205/0308; F17C
13/002; F17C 2205/0338; B65D 11/04;
B65D 2205/02; B65D 41/04; B65D
47/122; B65D 47/142

FIG. 1 is a front, left side, top perspective view of a valve showing our new design;
FIG. 2 is a front elevation view thereof;
FIG. 3 is a back elevation view thereof;
FIG. 4 is a right side elevation view thereof;
FIG. 5 is a left side elevation view thereof;
FIG. 6 is a top plan view thereof;
FIG. 7 is a bottom plan thereof;
FIG. 8 is a front, left side, top perspective partial view of the valve in use when installed within a bottle;
FIG. 9 is a front elevation partial view thereof;
FIG. 10 is a back elevation partial view thereof;
FIG. 11 is a right side elevation partial view thereof; and,
FIG. 12 is a left side elevation partial view thereof.

See application file for complete search history.

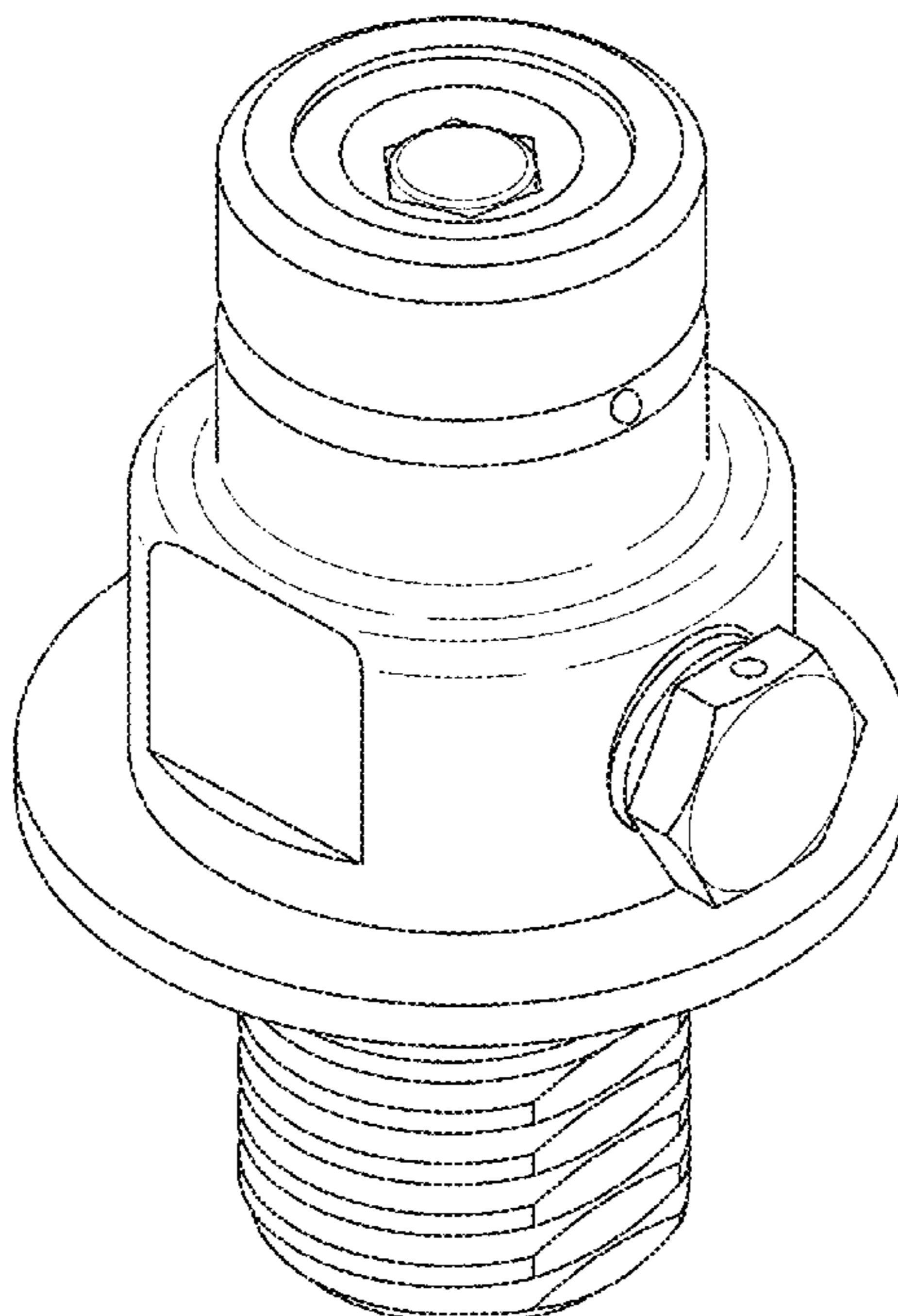
The broken lines shown in FIGS. 8-12 are for the purpose of illustrating environment and form no part of the claimed design.

(56) **References Cited**

U.S. PATENT DOCUMENTS

5,787,918 A * 8/1998 Jensen F16K 1/306
137/75
7,681,587 B2 * 3/2010 Zeyfang F17C 13/06
137/382

1 Claim, 7 Drawing Sheets



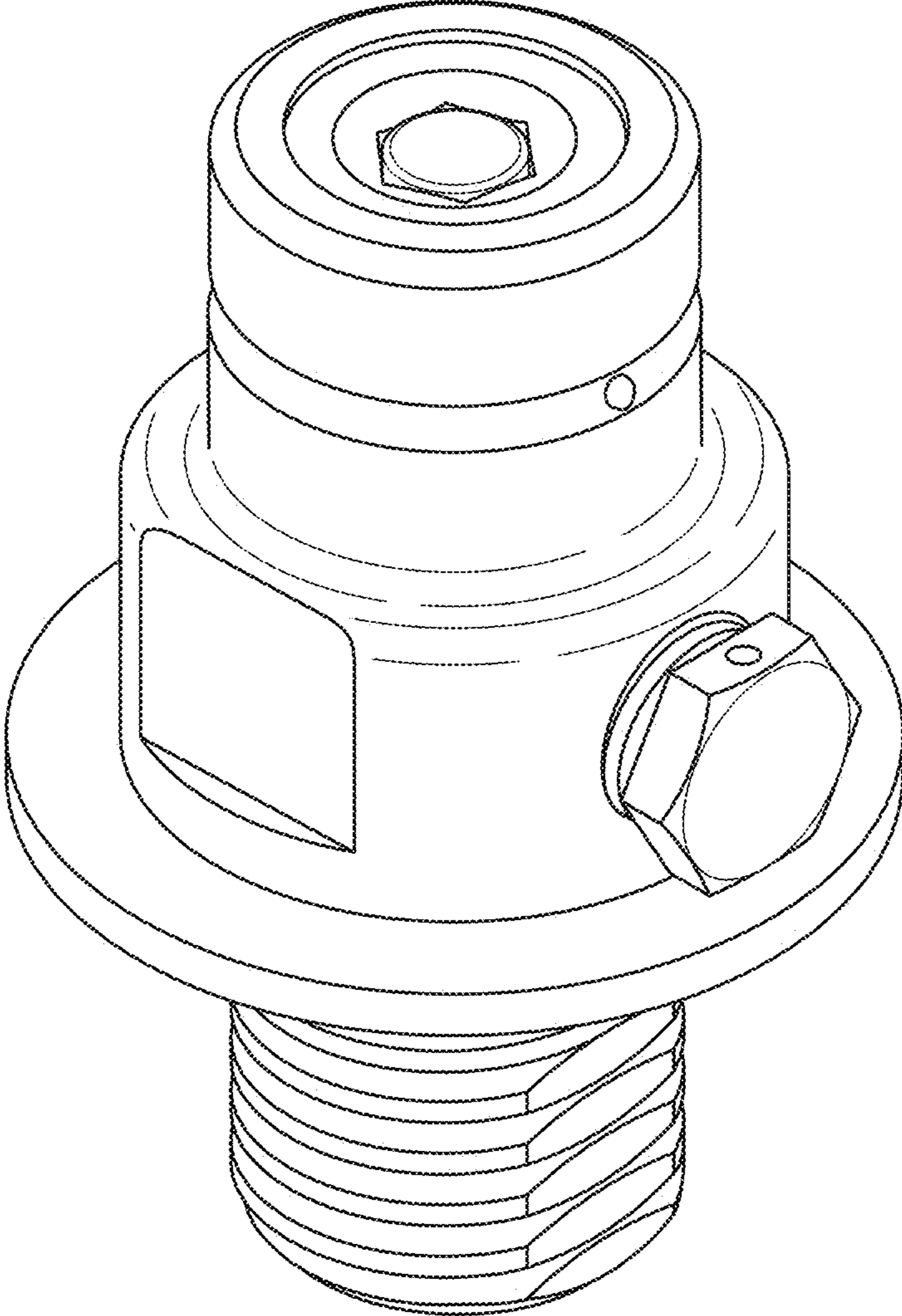


FIG. 1

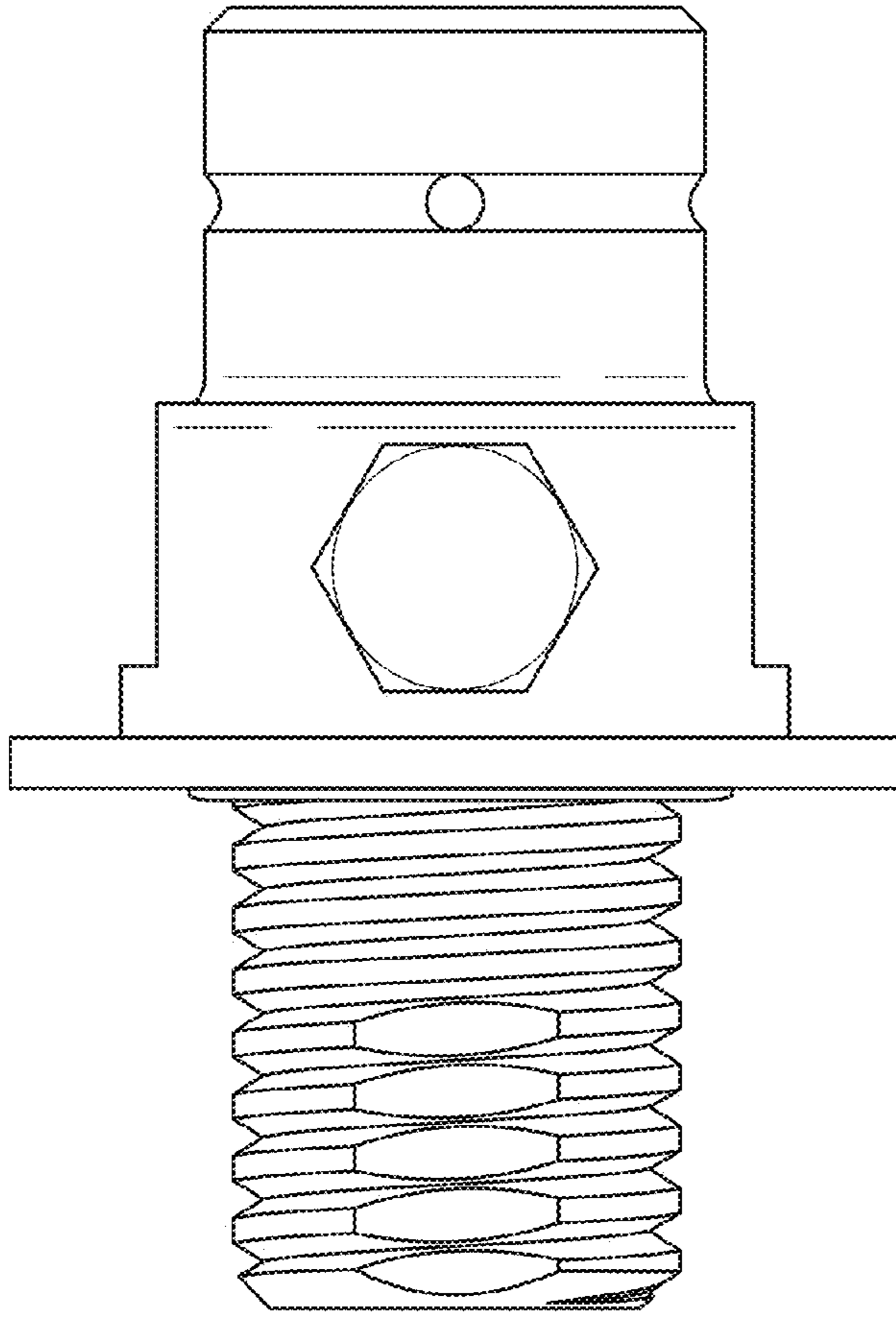


FIG. 2

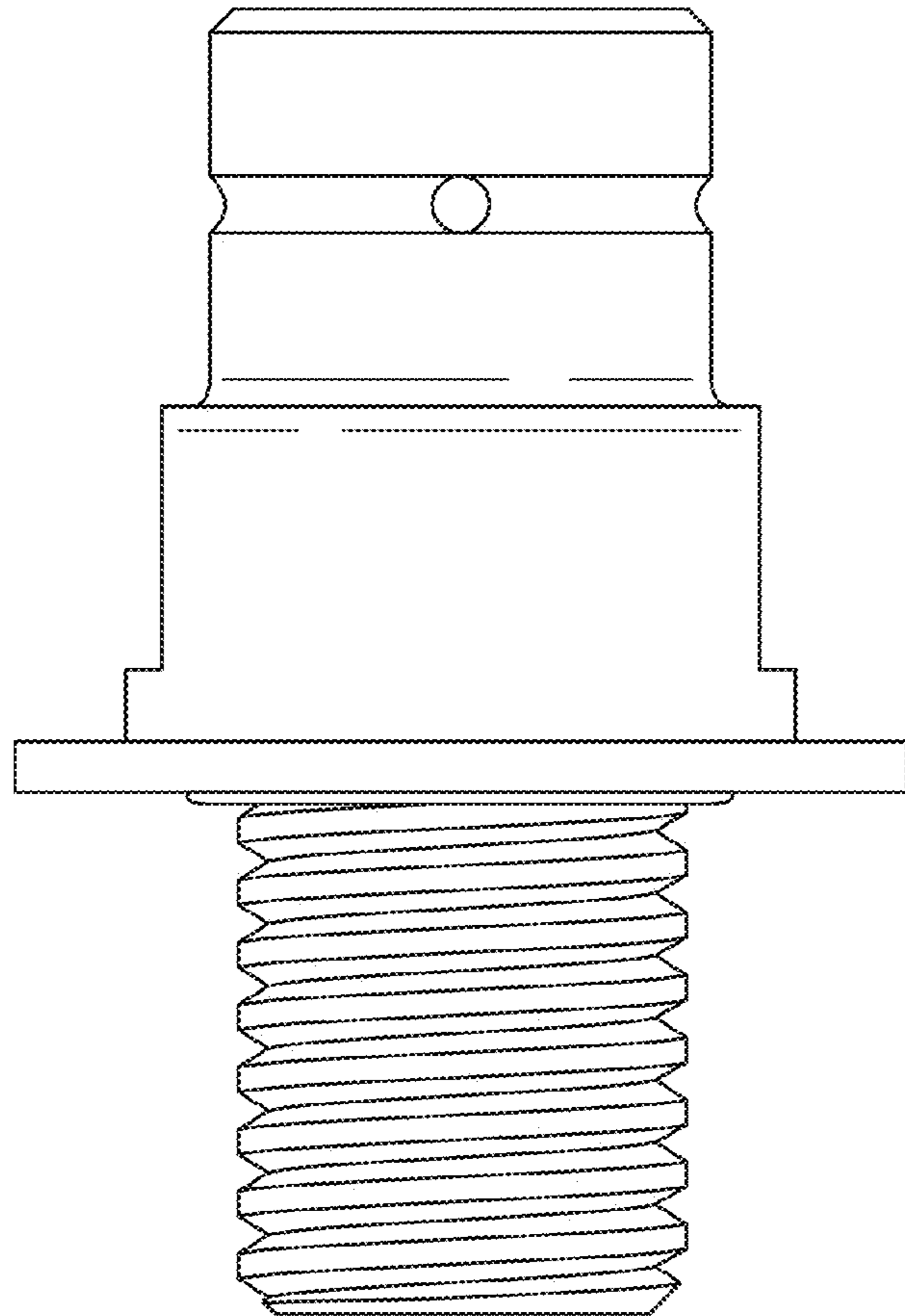


FIG. 3

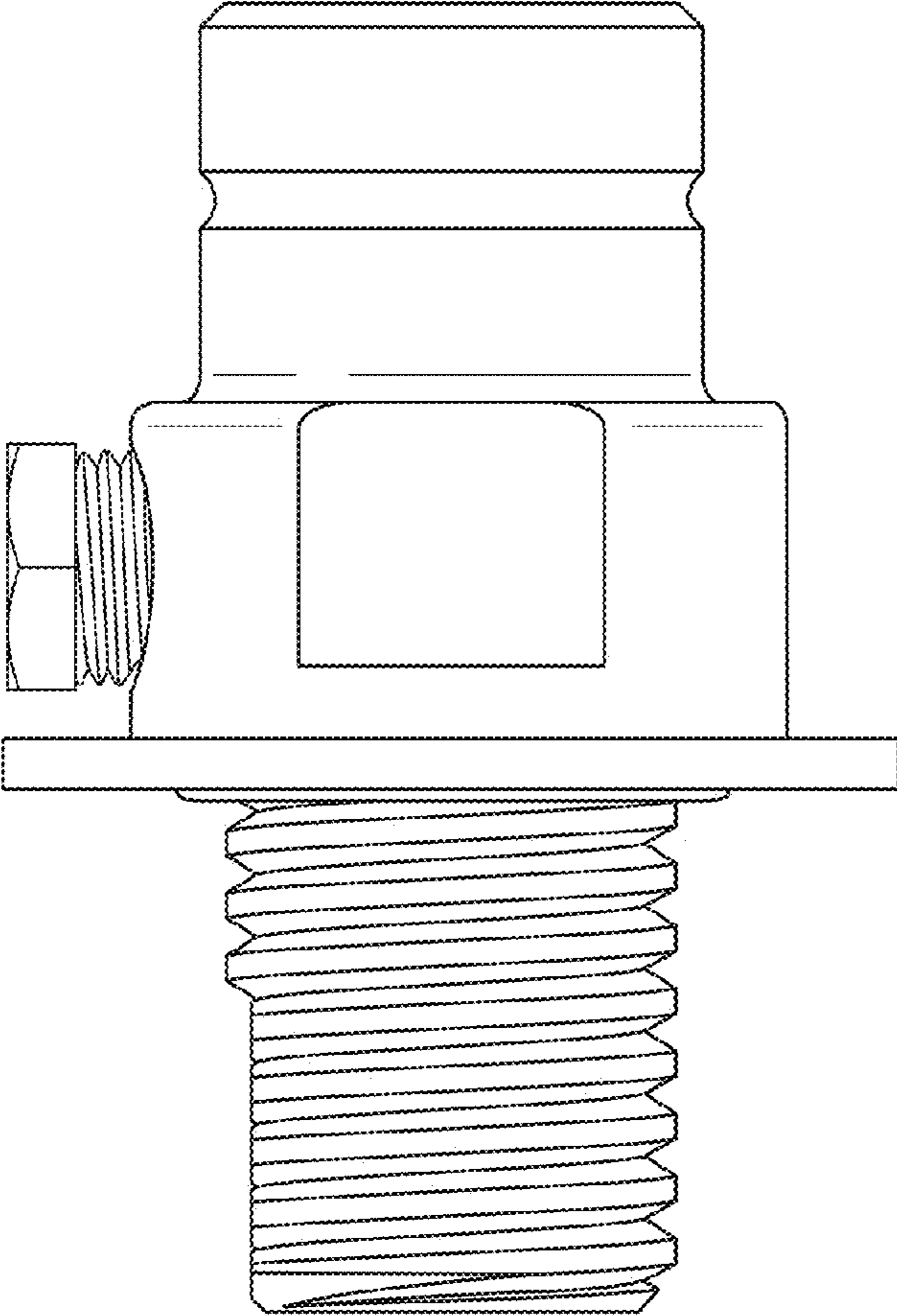


FIG. 4

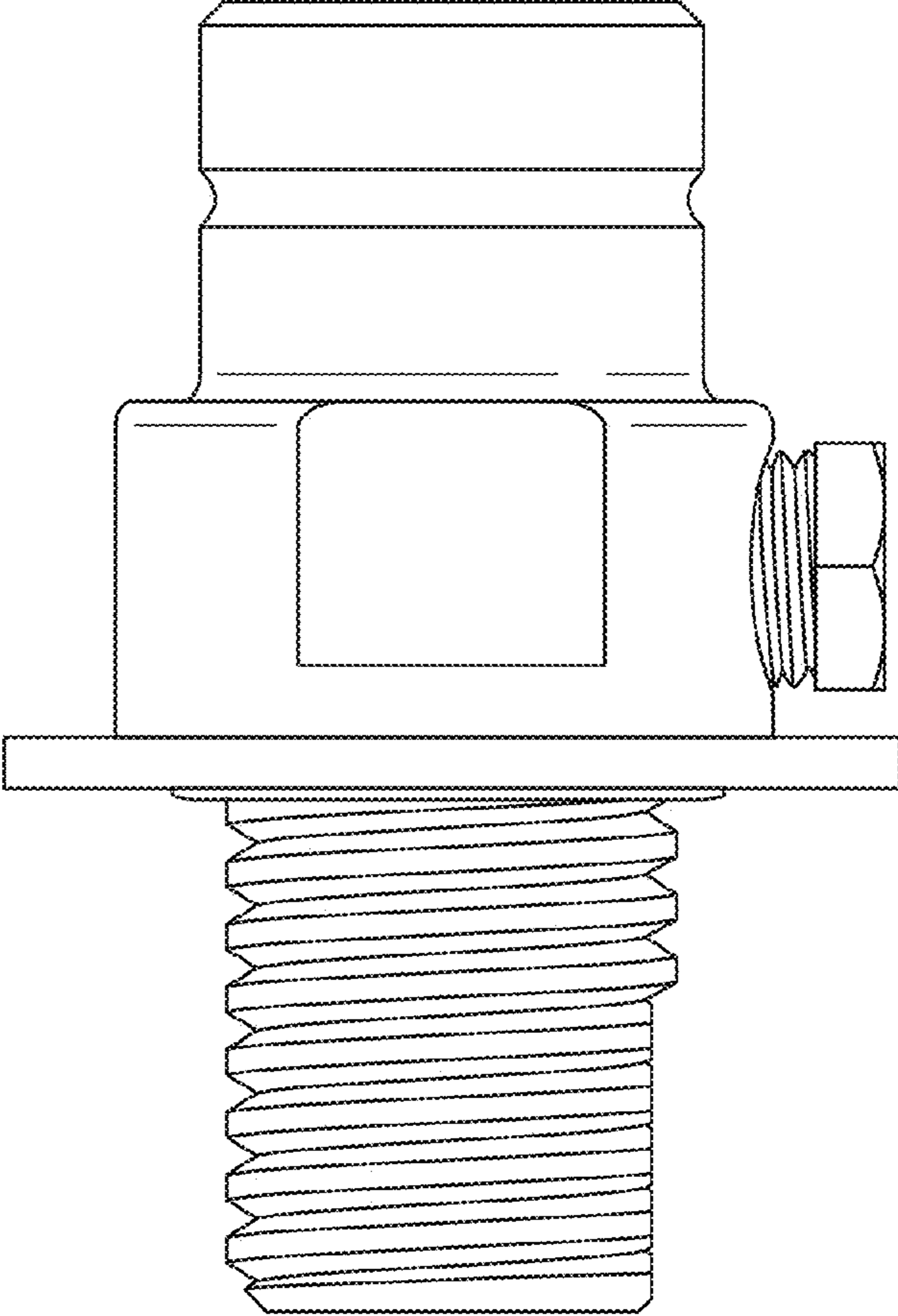


FIG. 5

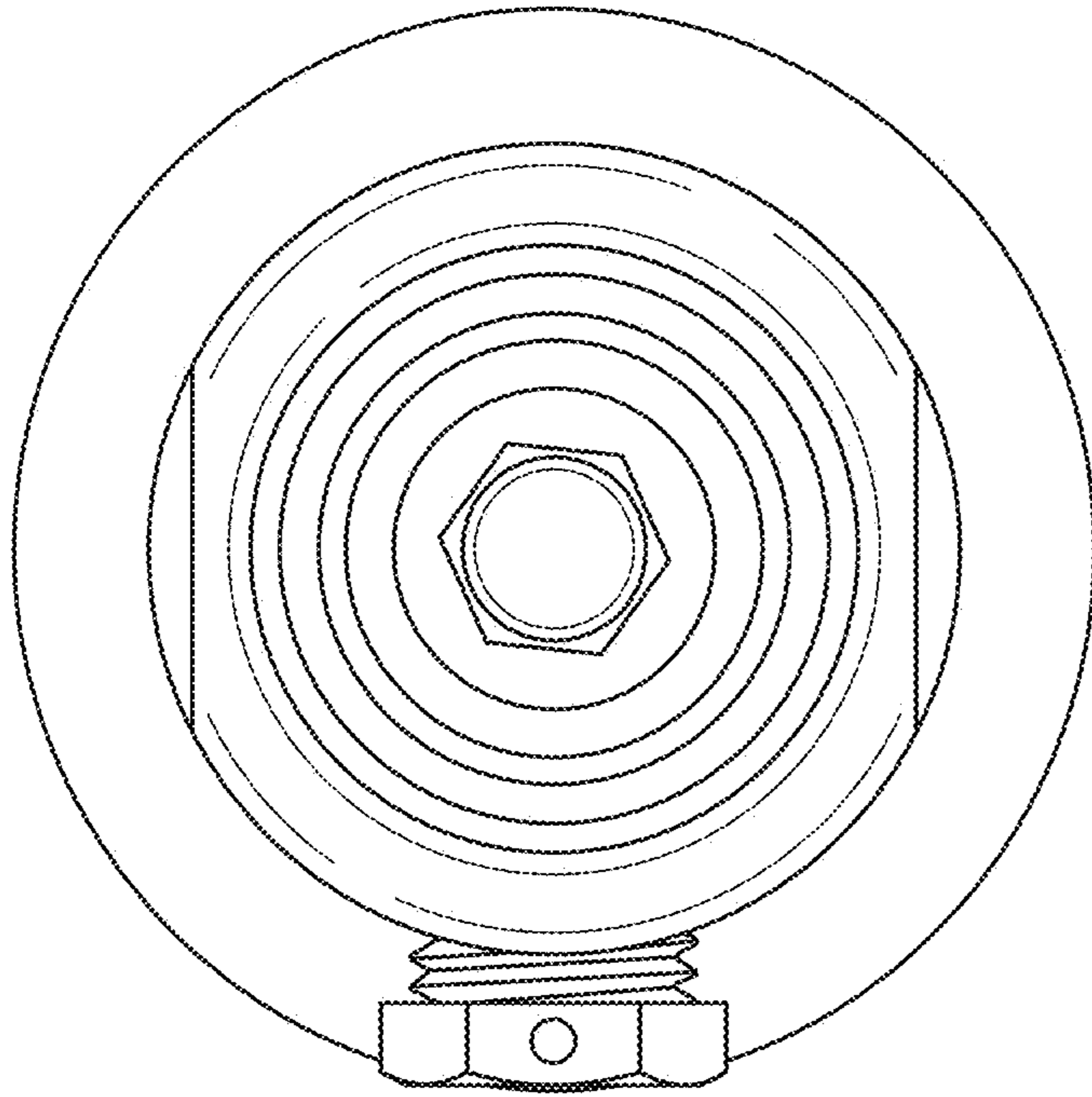


FIG. 6

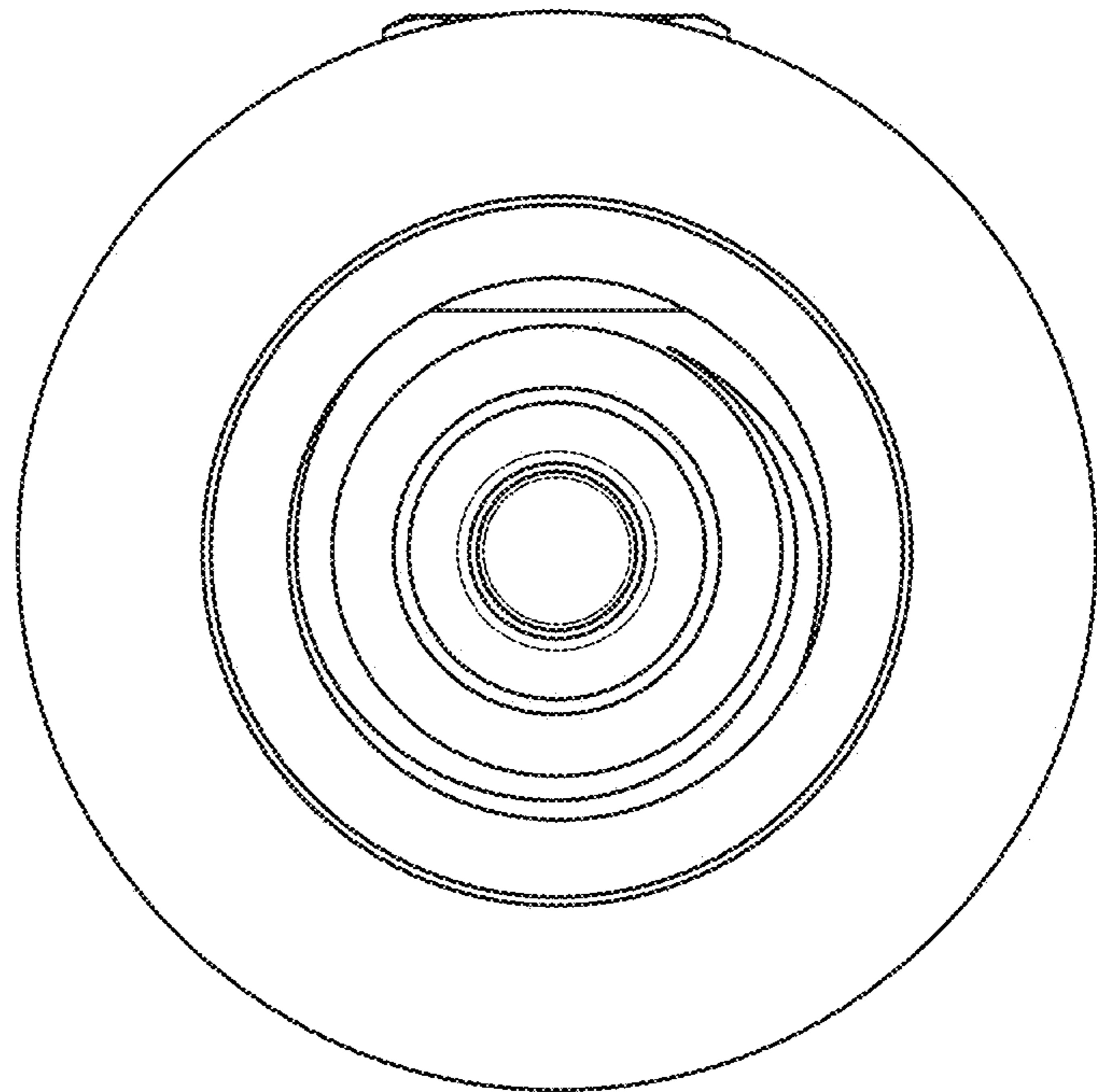


FIG. 7

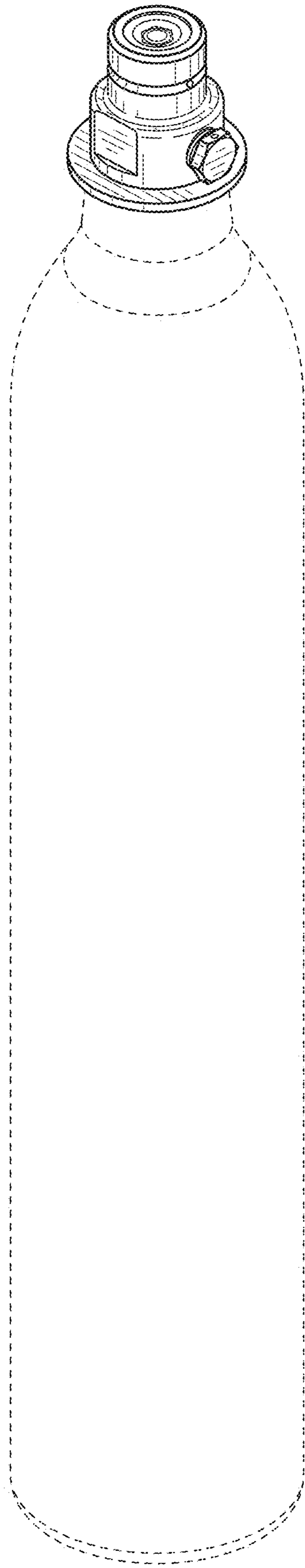


FIG. 8

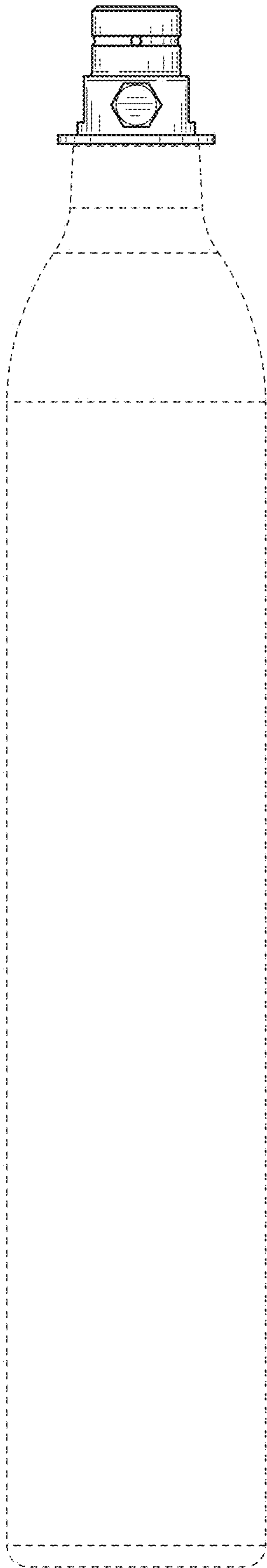


FIG. 9

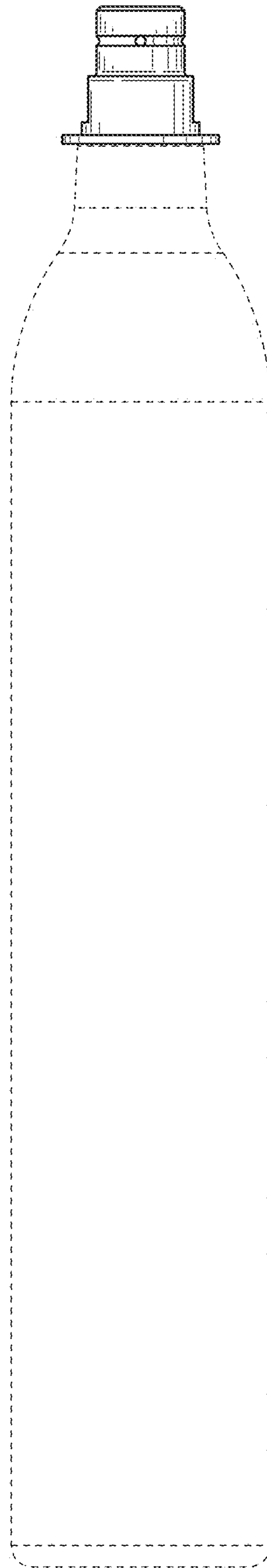


FIG. 10

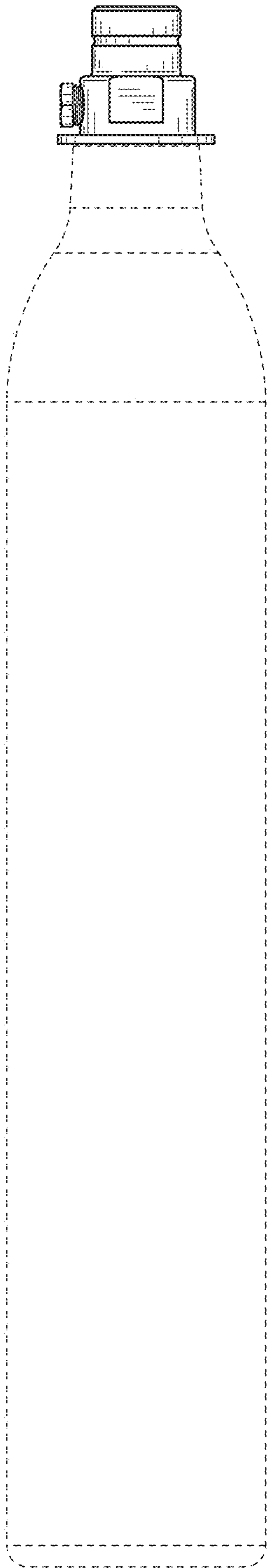


FIG. 11

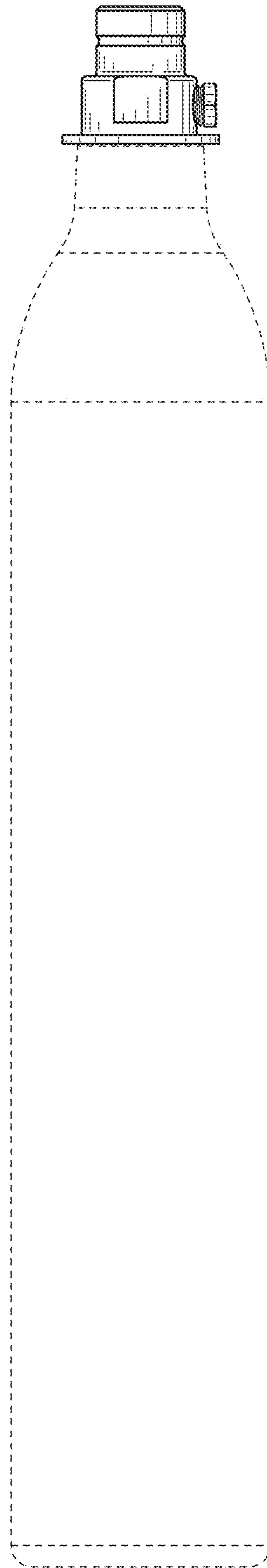


FIG. 12