



US00D917666S

(12) **United States Design Patent**
Urry

(10) **Patent No.:** **US D917,666 S**
(45) **Date of Patent:** **** Apr. 27, 2021**

(54) **HOSE NOZZLE**

D767,091 S 9/2016 Chen
D767,094 S 9/2016 Chen
D771,774 S * 11/2016 Chen D23/223
(Continued)

(71) Applicant: **Orbit Irrigation Products, LLC**, North Salt Lake, UT (US)

(72) Inventor: **Andrew Mark Urry**, Riverton, UT (US)

(73) Assignee: **Orbit Irrigation Products, LLC**, North Salt Lake, UT (US)

(**) Term: **15 Years**

(21) Appl. No.: **29/705,797**

(22) Filed: **Sep. 16, 2019**

(51) **LOC (13) Cl.** **23-01**

(52) **U.S. Cl.**
USPC **D23/226**

(58) **Field of Classification Search**
USPC D8/2; D23/213, 223, 224, 226, 229, 230
CPC B05B 1/16; B05B 9/01; B05B 12/002;
B05B 12/0022; B05B 12/0024; B05B
12/0026; B05B 15/63; B25G 1/10; A01M
7/0046

See application file for complete search history.

(56) **References Cited**

U.S. PATENT DOCUMENTS

7,226,002 B2 * 6/2007 Luo B05B 1/3046
239/390
D572,338 S * 7/2008 Hung D23/223
D576,252 S * 9/2008 Lo D23/223
D592,731 S * 5/2009 Hung D23/223
D604,389 S * 11/2009 Cheng D23/223
D636,058 S * 4/2011 Hung D23/223
D643,907 S * 8/2011 Hung D23/223
D726,872 S 4/2015 Thurgood
D749,696 S * 2/2016 Thurgood D23/223
D760,349 S 6/2016 Chen

OTHER PUBLICATIONS

“Utensilux Heavy Duty Adjustable Fireman Garden Hose Nozzle”
Jun. 10, 2018, Amazon, Site visited Dec. 23, 2020: <https://www.amazon.ca/dp/B07BC57CXR/> (Year: 2018).*
(Continued)

Primary Examiner — Jack Reickel
Assistant Examiner — Bobby W Jones, II
(74) *Attorney, Agent, or Firm* — Austin Rapp

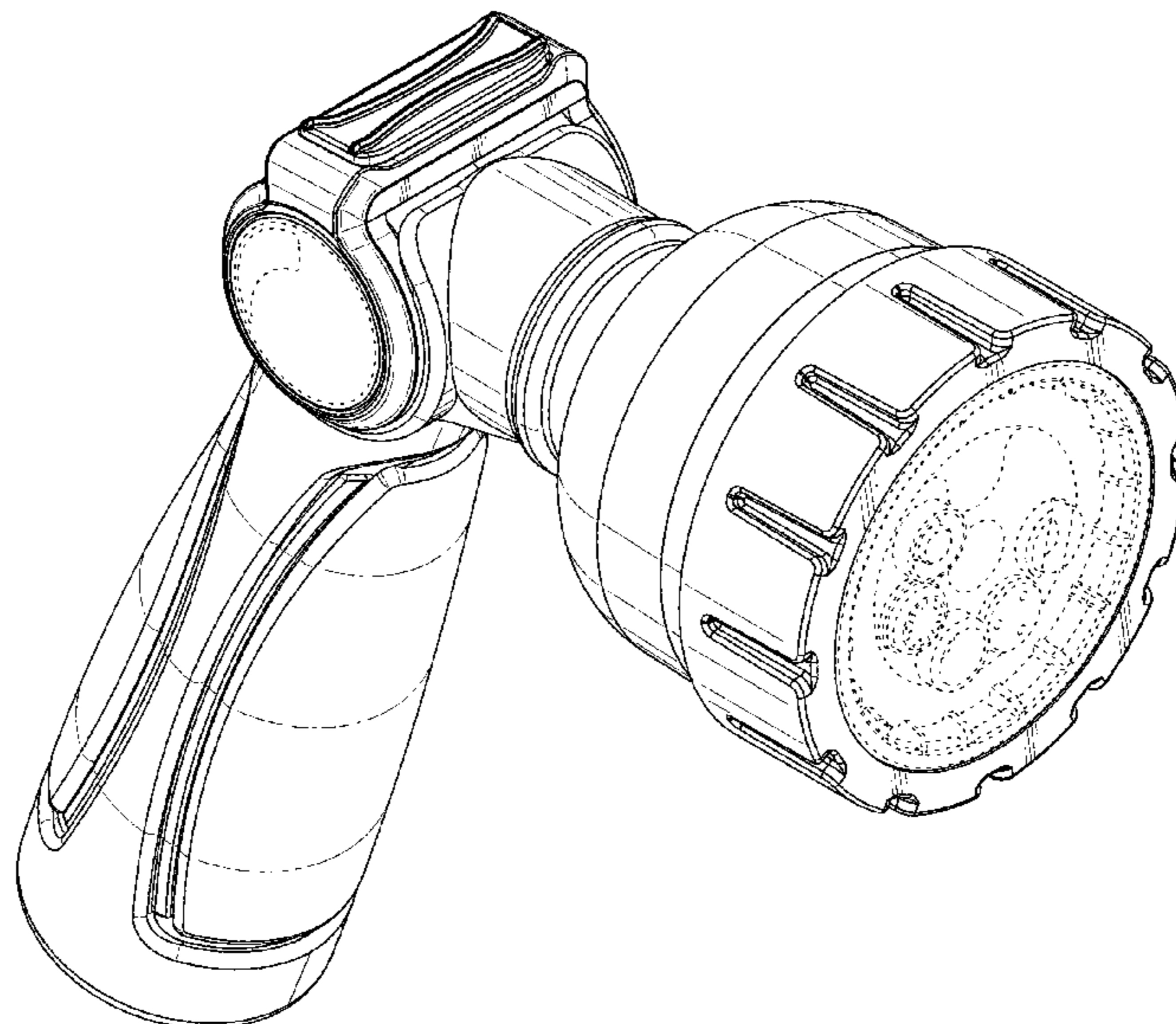
(57) **CLAIM**

The ornamental design for a hose nozzle, as shown and described.

DESCRIPTION

FIG. 1 is a first top perspective view of a hose nozzle, according to my new design;
FIG. 2 is a second top perspective view of the hose nozzle;
FIG. 3 is a first bottom perspective view of the hose nozzle;
FIG. 4 is a second bottom perspective view of the hose nozzle;
FIG. 5 is a front side elevational view of the hose nozzle;
FIG. 6 is a rear side elevational view of the hose nozzle;
FIG. 7 is a top side view of the hose nozzle;
FIG. 8 is a bottom side view of the hose nozzle;
FIG. 9 is a right side elevational view of the hose nozzle;
FIG. 10 is a left side elevational view of the hose nozzle;
FIG. 11 is a left side elevational view of the hose nozzle in a first alternate position; and,
FIG. 12 is a left side elevational view of the hose nozzle in a second alternate position.
The broken lines in the figures are included for the purpose of illustrating unclaimed portions of the hose nozzle and form no part of the claimed design.

1 Claim, 12 Drawing Sheets



(56)

References Cited

OTHER PUBLICATIONS

U.S. PATENT DOCUMENTS

D779,036 S * 2/2017 Chen D23/223
 D783,123 S 4/2017 Chen
 D792,555 S 7/2017 Hung
 D792,944 S * 7/2017 Cheng D23/224
 9,707,573 B1 7/2017 Huang
 9,770,731 B1 * 9/2017 Chen B05B 9/01
 D799,005 S * 10/2017 Wojan D23/223
 D819,783 S 6/2018 Urry
 D820,952 S 6/2018 Chen
 D820,953 S 6/2018 Chen
 D821,544 S 6/2018 Urry
 D822,160 S * 7/2018 Urry D23/223
 D824,486 S 7/2018 Urry
 D824,492 S 7/2018 Chen
 D839,384 S * 1/2019 Svendsen D23/213
 10,213,800 B2 2/2019 Chen
 D851,209 S 6/2019 Cheng
 D855,758 S 8/2019 Chen
 10,493,482 B2 * 12/2019 Su B05B 1/30
 D892,271 S 8/2020 Urry
 D892,272 S 8/2020 Urry
 2010/0282870 A1 * 11/2010 Chen B25G 3/20
 239/525
 2011/0220738 A1 * 9/2011 Cheng B05B 1/3026
 239/526
 2014/0054399 A1 * 2/2014 Hsieh B05B 1/3026
 239/526
 2015/0343467 A1 * 12/2015 Chen B05B 1/1654
 239/526
 2017/0204978 A1 * 7/2017 Huang F16K 5/0478
 2018/0161795 A1 * 6/2018 Su B05B 1/30

“Bon-Aire UFHN1 PowerNozzle” Apr. 17, 2015, Amazon, Site visited Dec. 23, 2020: <https://www.amazon.ca/dp/B00IMVKNKOM/> (Year: 2015).*

U.S. Appl. No. 29/690,608, filed Sep. 16, 2019, Urry.
 Orbit Irrigation Products, LLC, Product No. 58793 was sold or offered at least by Jun. 1, 2004.
 Notice of Allowance and Fee(s) Due (Including a Notice of Allowability For a Design Application Section), U.S. Appl. No. 29/690,607, dated Apr. 7, 2020.
 Notice of Allowance and Fee(s) Due (Including a Notice of Allowability For a Design Application Section), U.S. Appl. No. 29/690,608, dated Apr. 8, 2020.
 U.S. Appl. No. 29/701,444, filed Aug. 12, 2019, Urry.
 U.S. Appl. No. 29/690,607, filed May 9, 2009, Urry.
 Orbit Irrigation Products, LLC, Product No. 27823 was sold or offered for sale at least by Mar. 31, 2016.
 Orbit Irrigation Products, LLC, Product No. 58993 was sold or offered for sale at least by Feb. 26, 2016.
 Melnor, Inc., Product No. T301 was sold or offered for sale at least by Apr. 2013.
 Ex Parte Quayle Action, U.S. Appl. No. 29/701,444, dated Jan. 1, 2021, pp. 1-5 (included as attachment 7).
 Response to Ex Parte Quayle Action, U.S. Appl. No. 29/701,444, Filed Feb. 3, 2021, pp. 1-28 (included as attachment 8).
 Notice of Allowance and Fee(s) Due (including a Notice of Allowability for a Design Application section and an Examiner’s Comment section), U.S. Appl. No. 29/701,444, dated Feb. 12, 2021, pp. 1-6 (included as attachment 9).

* cited by examiner

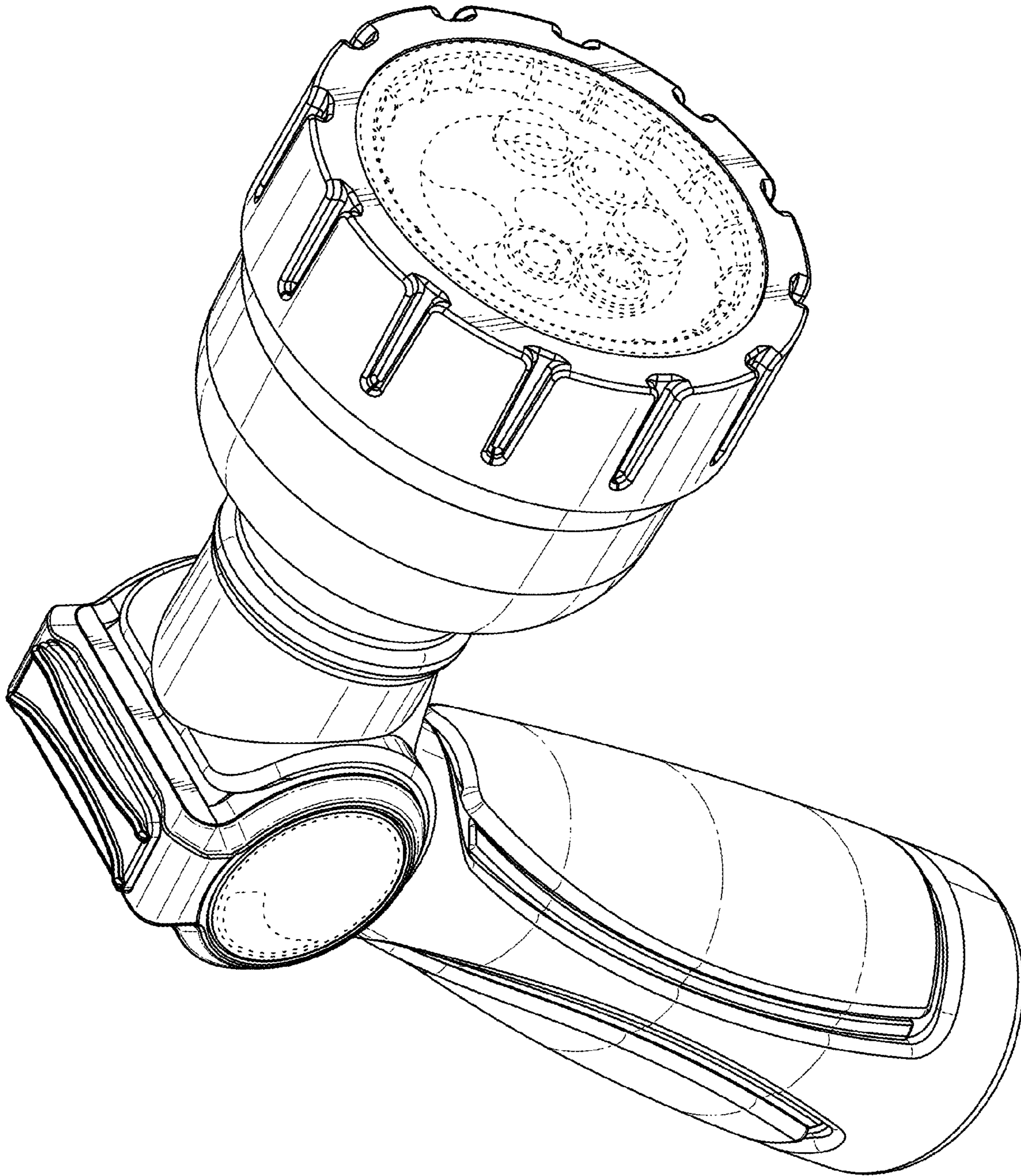


FIG. 1

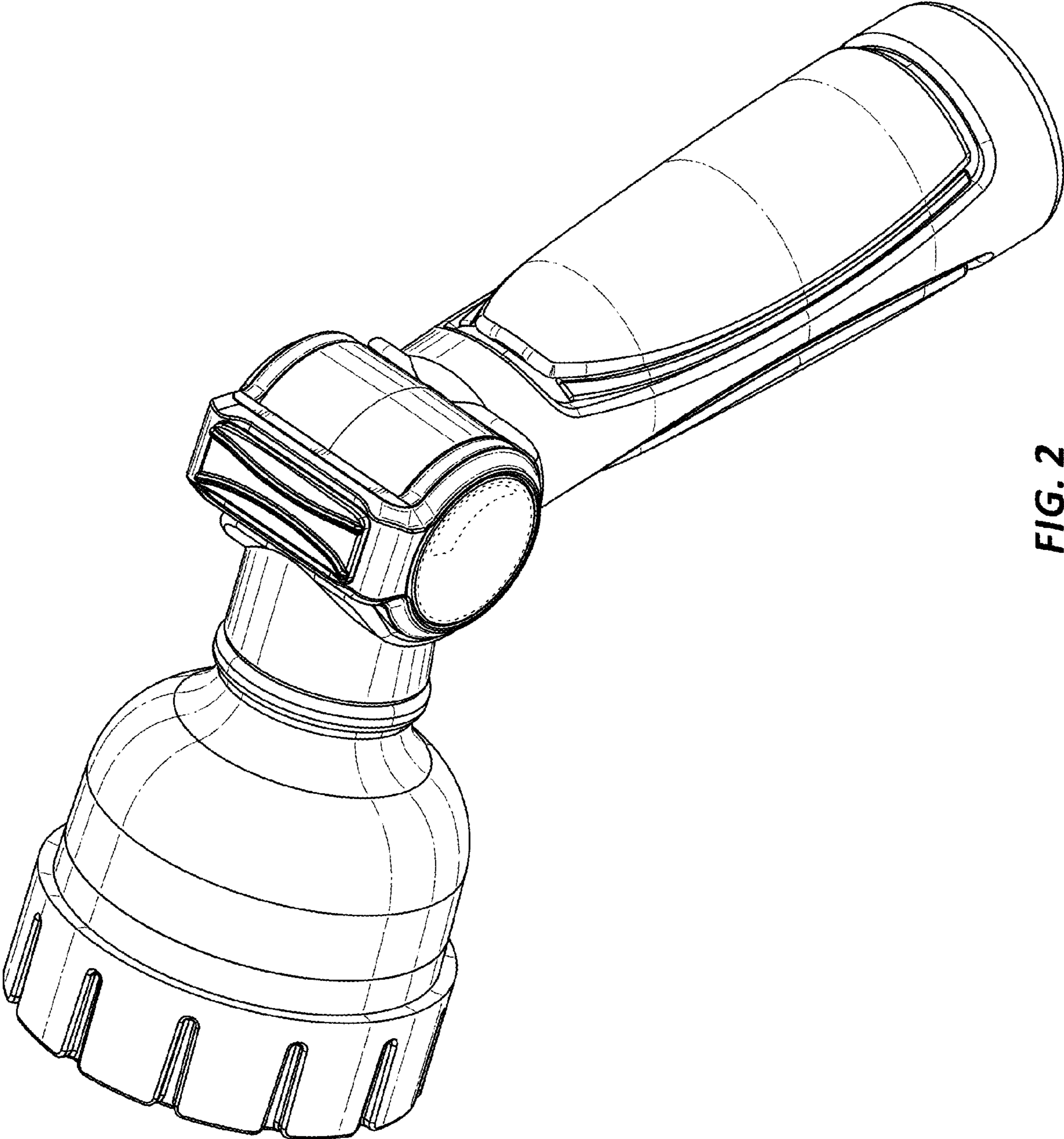


FIG. 2

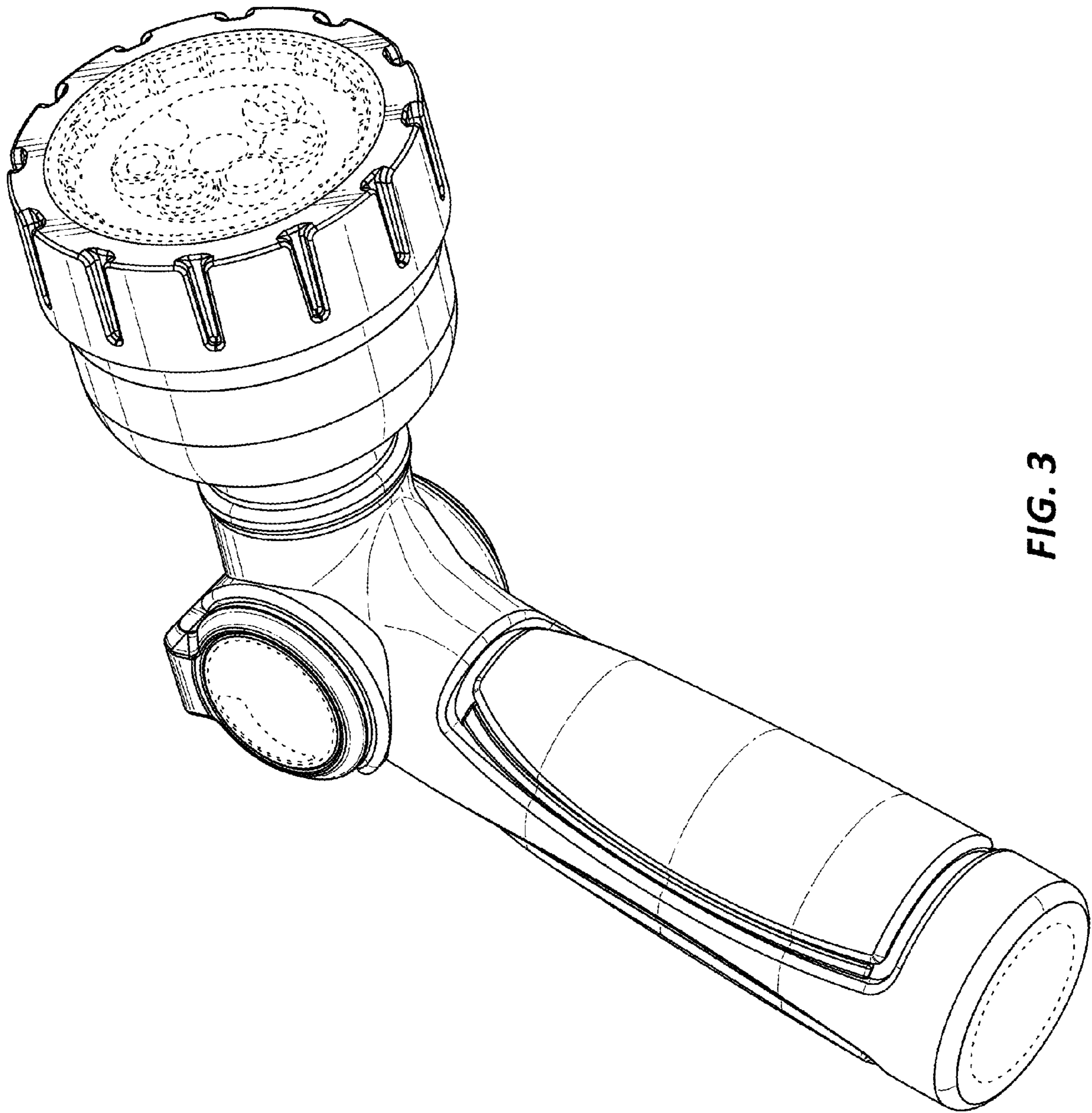


FIG. 3

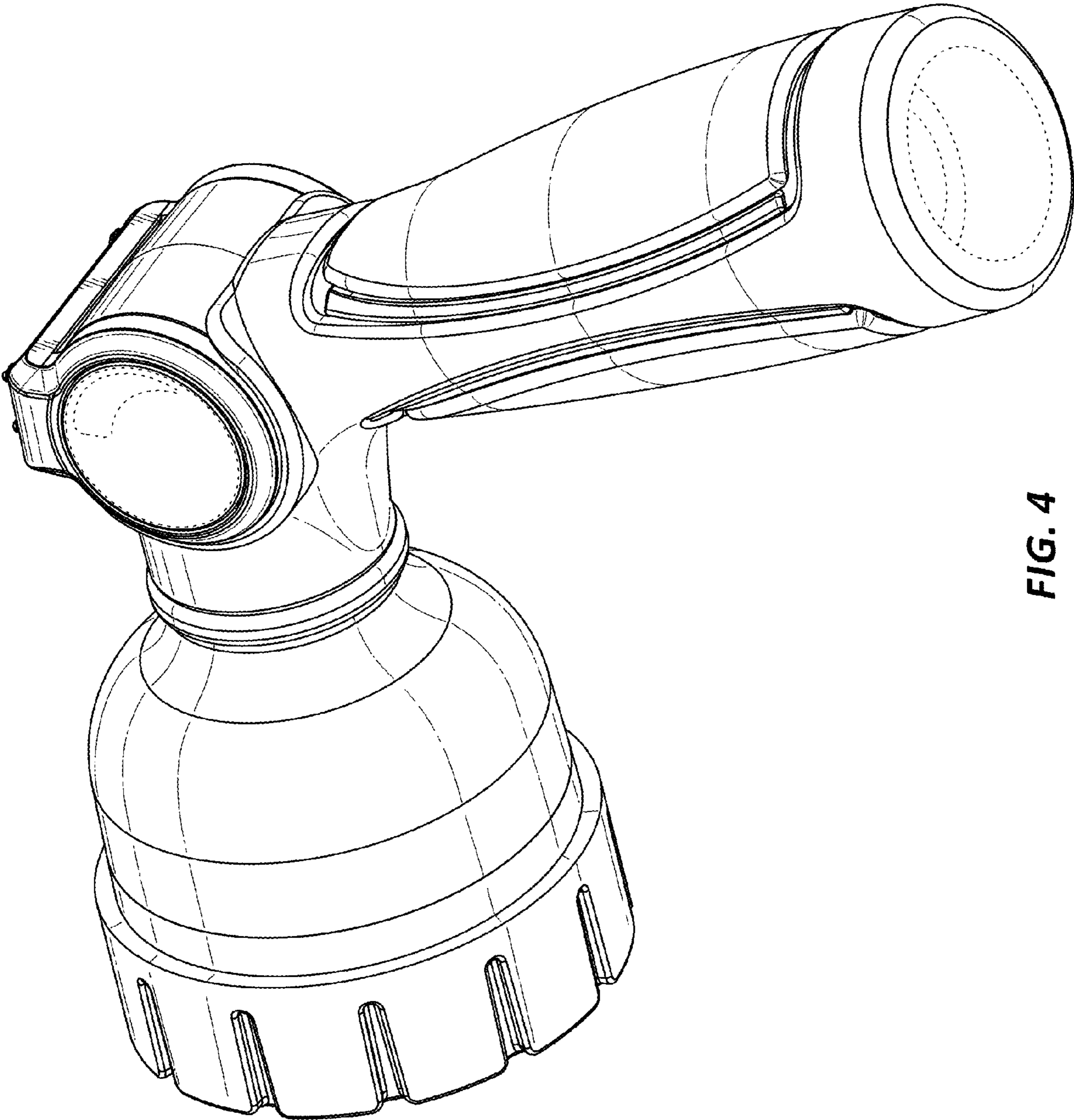


FIG. 4

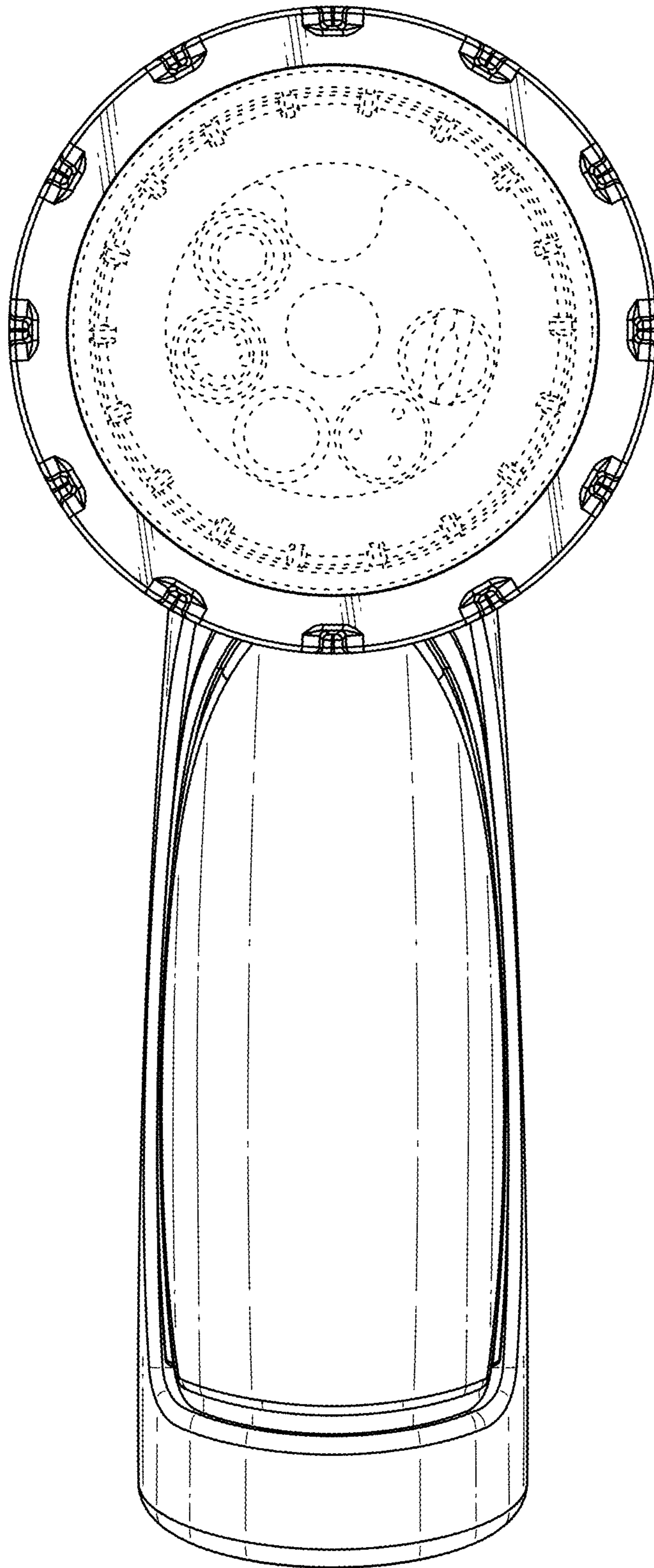


FIG. 5

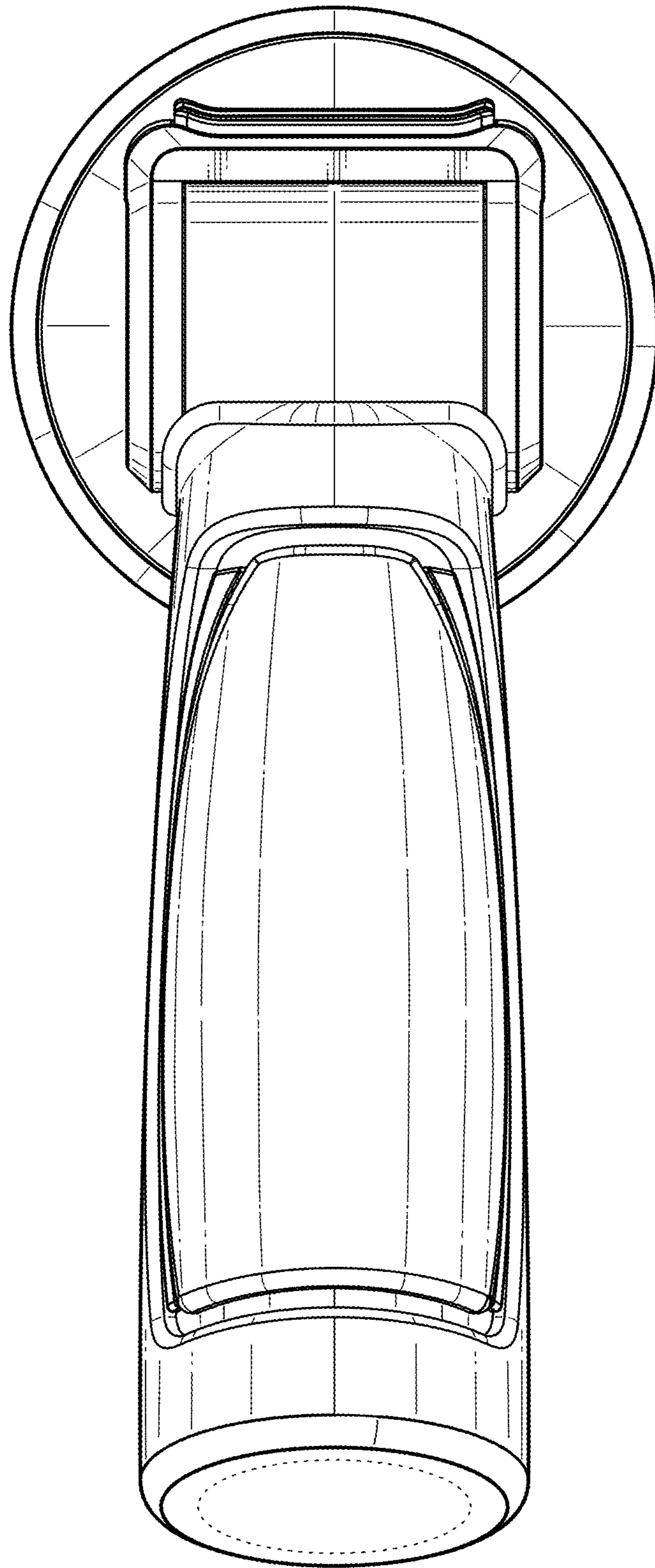


FIG. 6

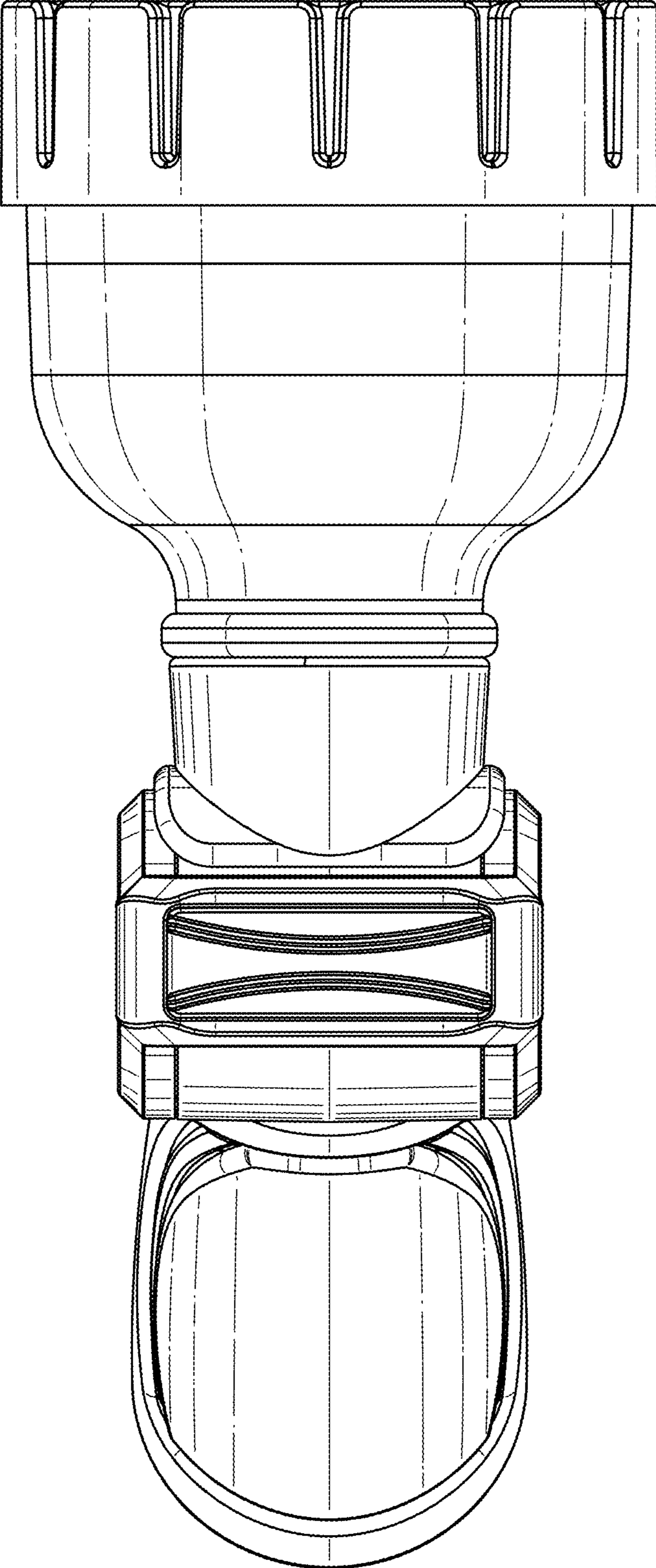


FIG. 7

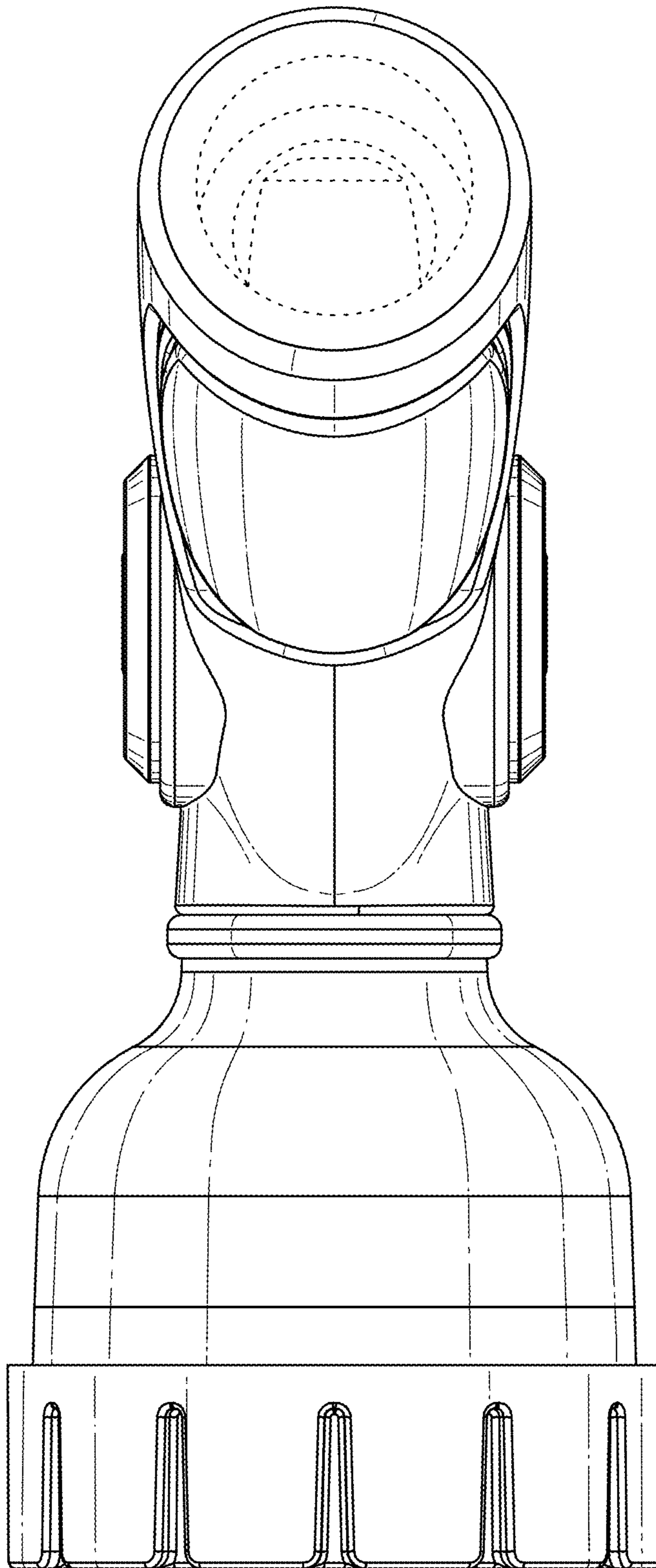


FIG. 8

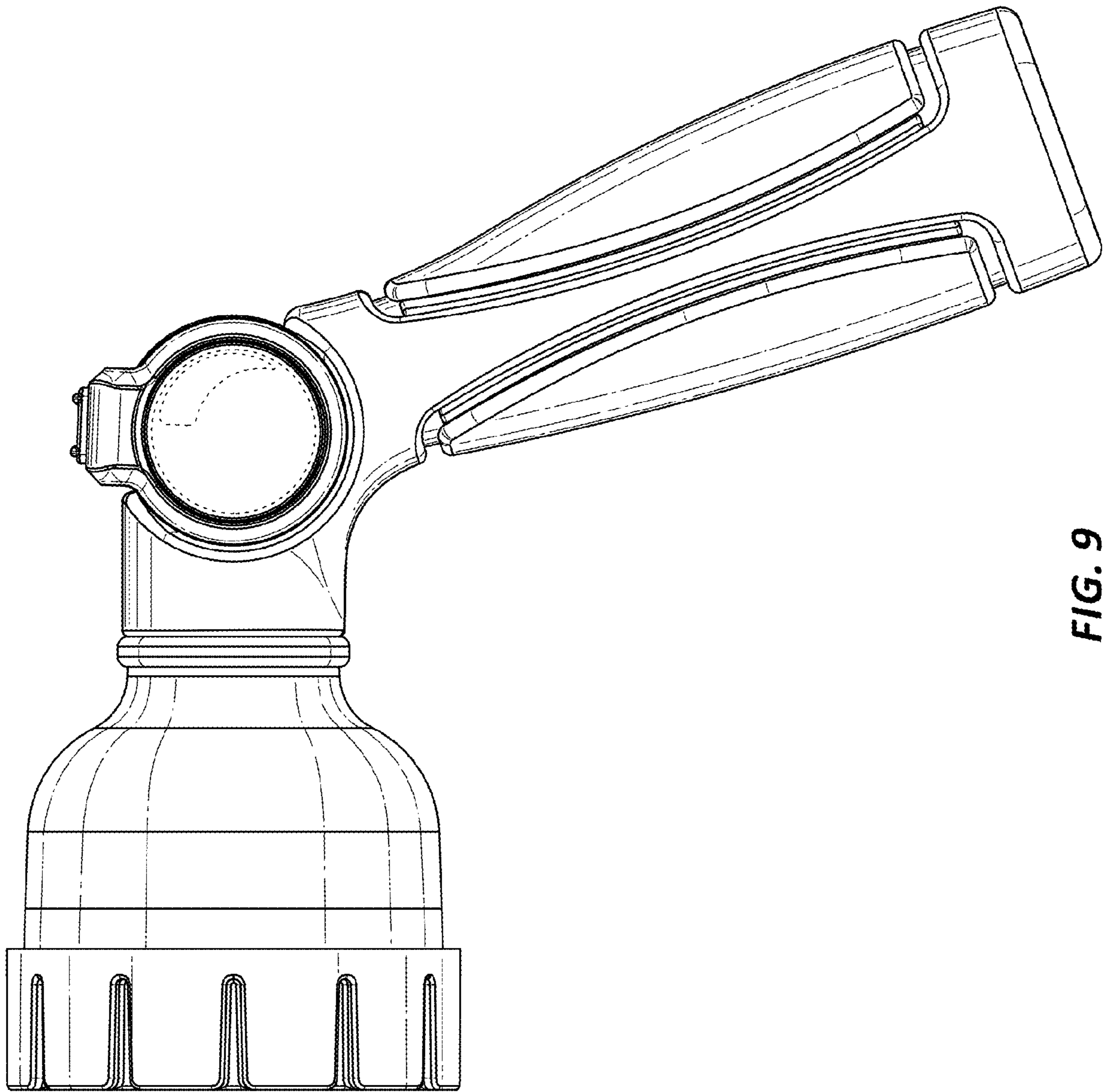


FIG. 9

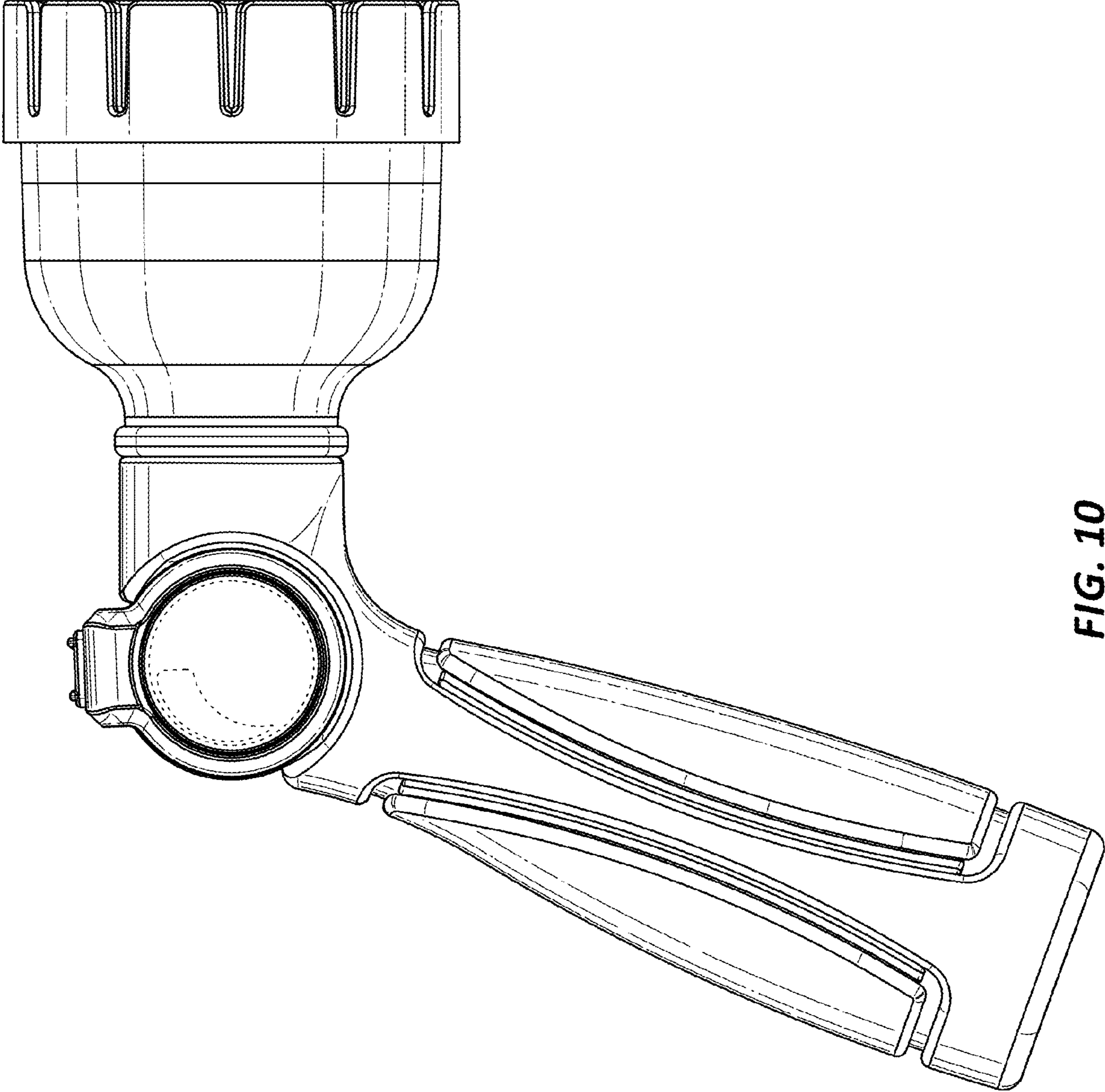


FIG. 10

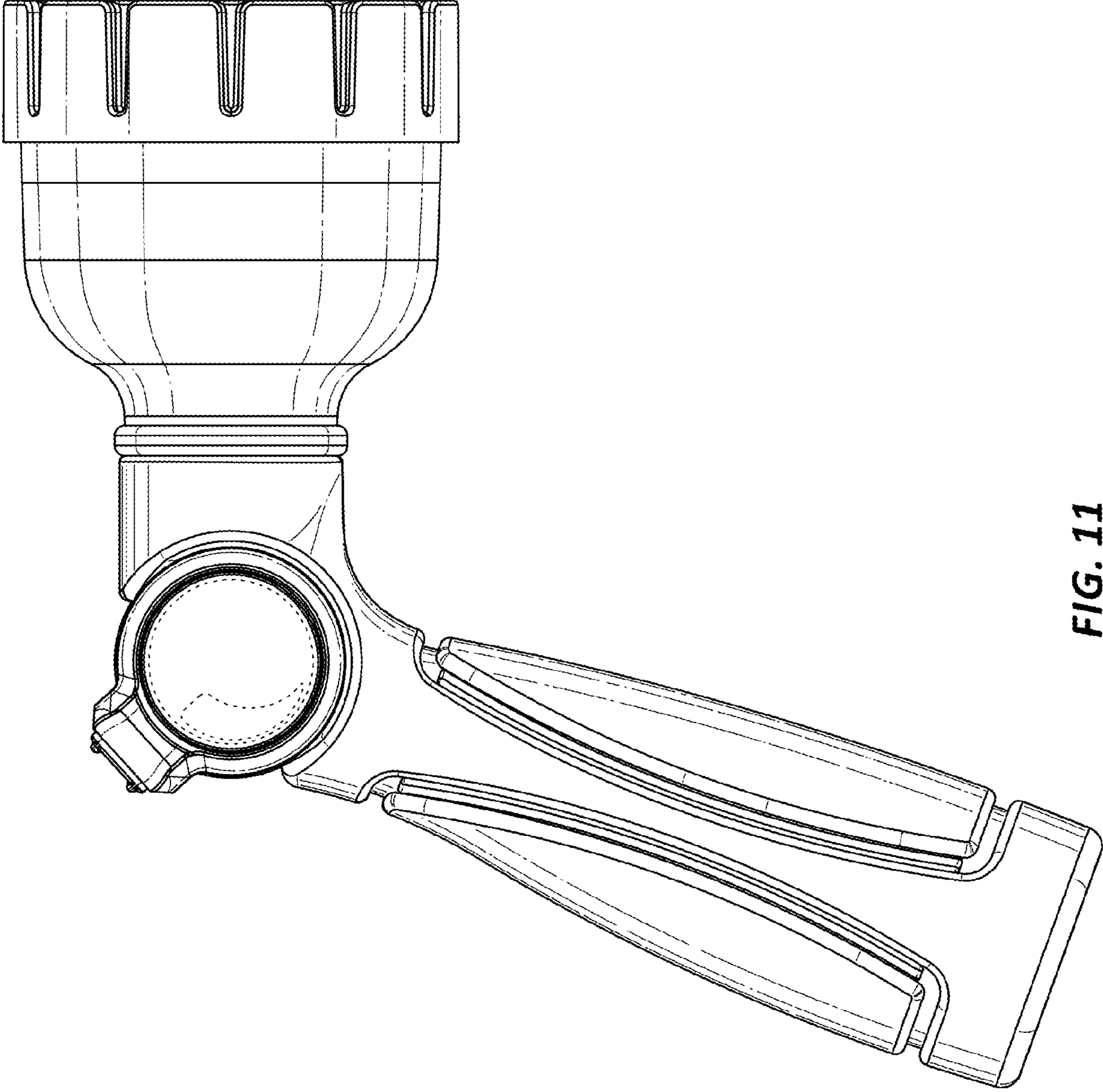


FIG. 11

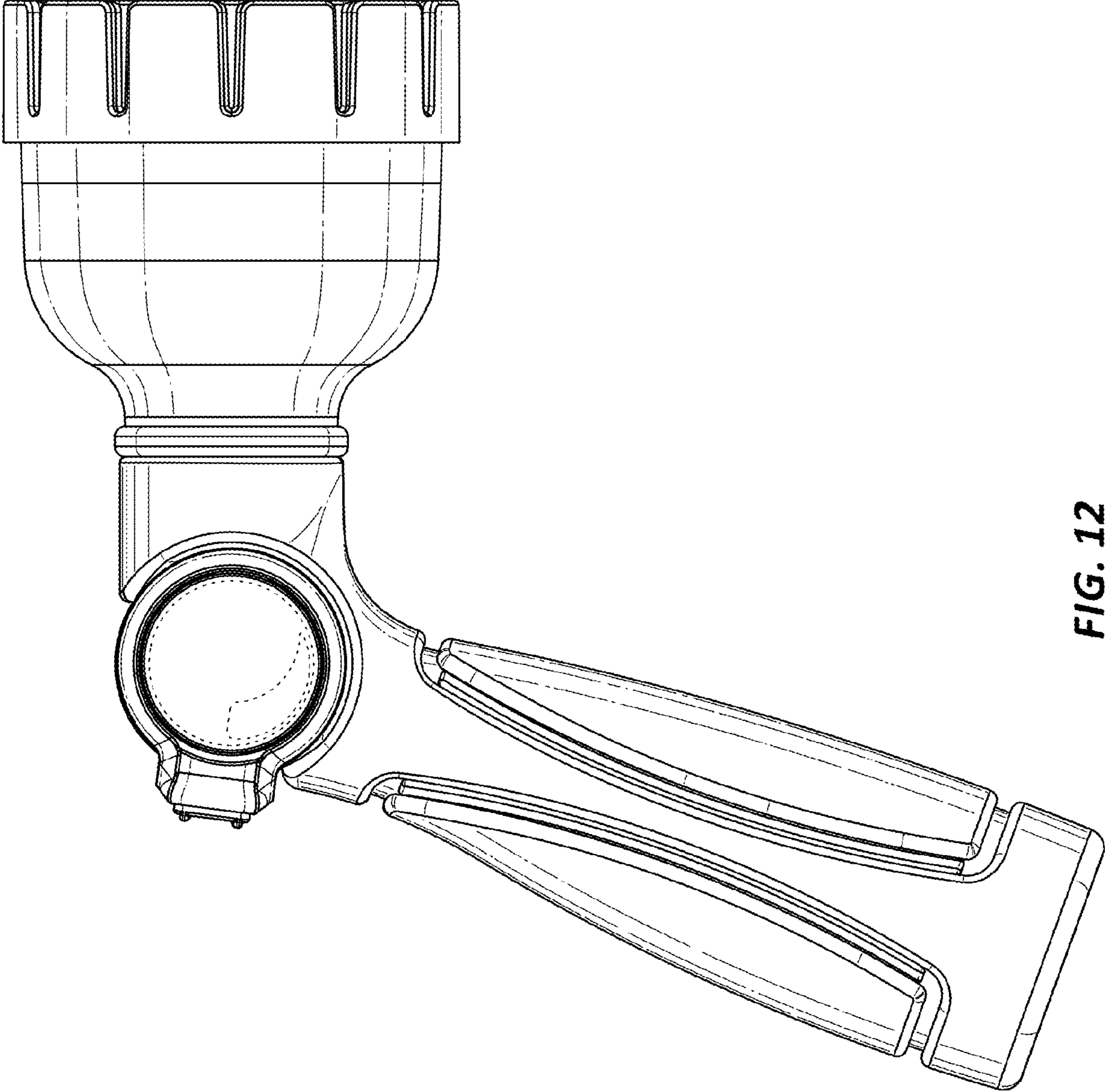


FIG. 12