



US00D917665S

(12) **United States Design Patent**  
**Chen**

(10) **Patent No.:** **US D917,665 S**

(45) **Date of Patent:** **\*\* Apr. 27, 2021**

- (54) **HANDHELD SPRAY GUN**
- (71) Applicant: **SHIN TAI SPURT WATER OF THE GARDEN TOOLS CO., LTD.,**  
Chang-Hua Hsien (TW)
- (72) Inventor: **Chin-Yuan Chen,** Chang-Hua Hsien (TW)
- (73) Assignee: **SHIN TAI SPURT WATER OF THE GARDEN TOOLS CO., LTD.,**  
Chang-Hua Hsien (TW)
- (\*\*) Term: **15 Years**
- (21) Appl. No.: **29/701,687**
- (22) Filed: **Aug. 13, 2019**
- (51) **LOC (13) Cl.** ..... **23-01**
- (52) **U.S. Cl.**  
USPC ..... **D23/226**
- (58) **Field of Classification Search**  
USPC .... D8/2; D23/213, 223, 224, 226, 229, 230  
See application file for complete search history.

(56) **References Cited**

**U.S. PATENT DOCUMENTS**

D382,937 S *	8/1997	Shfaram	.....	D23/223
6,073,863 A *	6/2000	Wang	.....	B05B 1/3026 239/525
D434,106 S *	11/2000	Hsin-Fa	.....	D23/223
6,367,716 B1 *	4/2002	Wang	.....	B05B 1/3026 239/525
D460,804 S *	7/2002	Bonzer	.....	D23/213
D584,380 S *	1/2009	Cheng	.....	D23/223
D584,381 S *	1/2009	Hung	.....	D23/223
D585,109 S *	1/2009	Cheng	.....	D23/223
D614,729 S *	4/2010	Cheng	.....	D23/223
8,123,151 B2 *	2/2012	Cheng	.....	B05B 1/3026 239/586
D699,814 S *	2/2014	Ondarra	.....	D23/226

D704,799 S *	5/2014	Crawley	.....	D23/213
D767,092 S *	9/2016	Chen	.....	D23/223
D768,817 S *	10/2016	Chen	.....	D23/223
D769,413 S *	10/2016	Liao	.....	D23/223
D771,773 S *	11/2016	Chen	.....	D23/223
D779,035 S *	2/2017	Chen	.....	D23/223
9,707,573 B1 *	7/2017	Huang	.....	B05B 12/002
9,770,731 B1 *	9/2017	Chen	.....	B05B 9/01
D799,002 S *	10/2017	Gooden	.....	D23/213
D808,497 S *	1/2018	Naslund	.....	D23/213

(Continued)

**OTHER PUBLICATIONS**

“Camco Thumb Lever Nozzle”, Nov. 9, 2018, Amazon, site visited Dec. 3, 2020: <https://www.amazon.ca/dp/B07JZZ9V8Y/> (Year: 2018).\*

(Continued)

*Primary Examiner* — Jack Reickel  
*Assistant Examiner* — Bobby W Jones, II

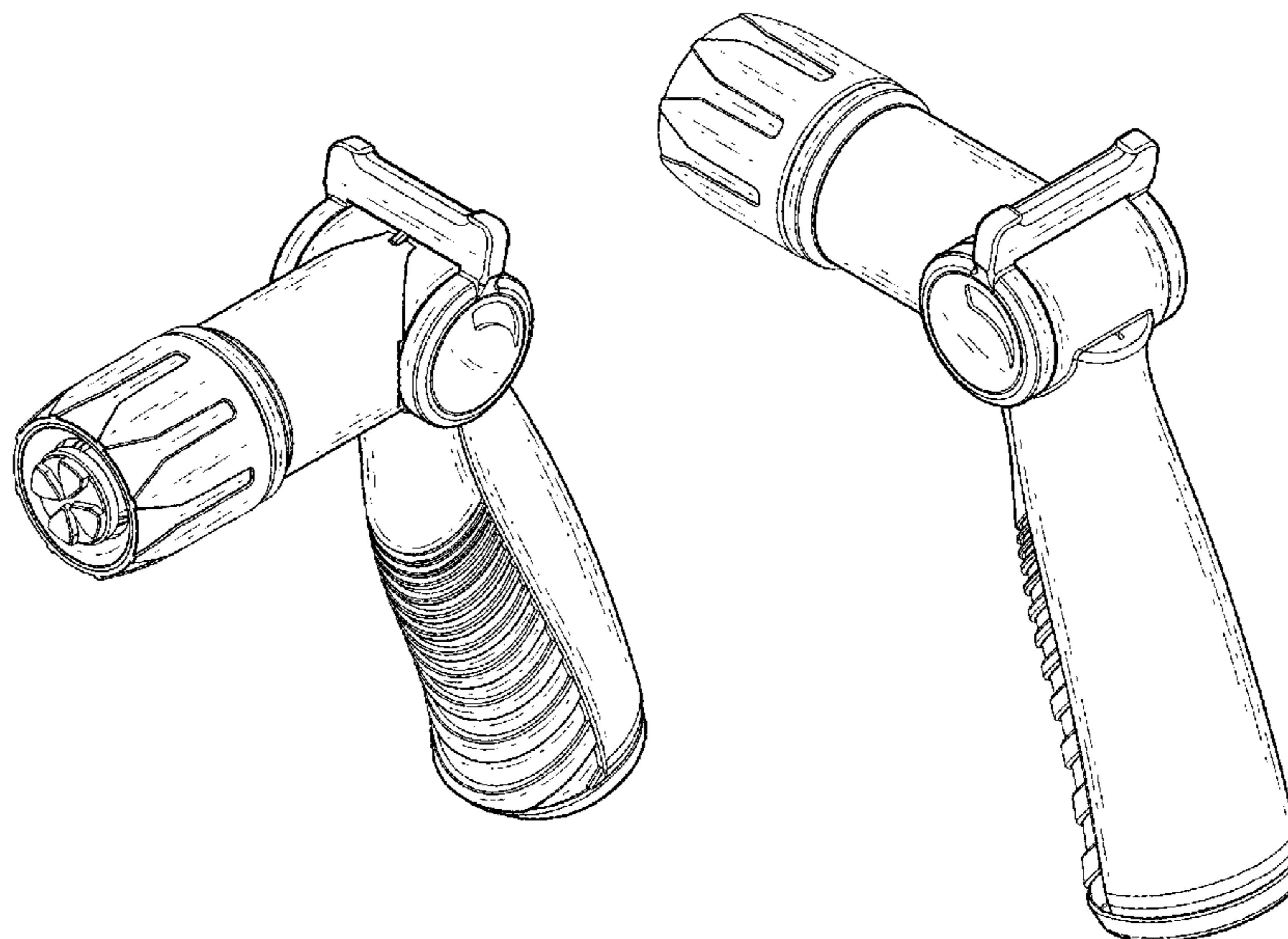
(57) **CLAIM**

The ornamental design for a handheld spray gun, as shown and described.

**DESCRIPTION**

FIG. 1 is a perspective view of a handheld spray gun showing my new design;  
FIG. 2 is a front elevational view thereof;  
FIG. 3 is a rear elevational view thereof;  
FIG. 4 is a left side elevational view thereof;  
FIG. 5 is a right side elevational view thereof;  
FIG. 6 is a top plan view thereof;  
FIG. 7 is a bottom plan view thereof; and,  
FIG. 8 is another perspective schematic view of a handheld spray gun showing my design.  
The broken line showing of a handheld spray gun is included for the purpose of illustrating portions of the article and forms no part of the claimed design.

**1 Claim, 6 Drawing Sheets**



(56)

**References Cited**

U.S. PATENT DOCUMENTS

D808,498 S \* 1/2018 Naslund ..... D23/213  
D820,952 S \* 6/2018 Chen ..... D23/223  
D824,492 S \* 7/2018 Chen ..... D23/223  
10,213,800 B2 \* 2/2019 Chen ..... B05B 1/02  
D892,272 S \* 8/2020 Urry ..... D23/223  
2018/0361414 A1 \* 12/2018 Chen ..... B05B 12/002

OTHER PUBLICATIONS

“Orbit Hose High Water Flow Nozzles Two Pack”, May 4, 2018,  
Amazon, Site visited Nov. 30, 2020: <https://www.amazon.ca/dp/B07CHQBTR3/> (Year: 2018).\*

\* cited by examiner

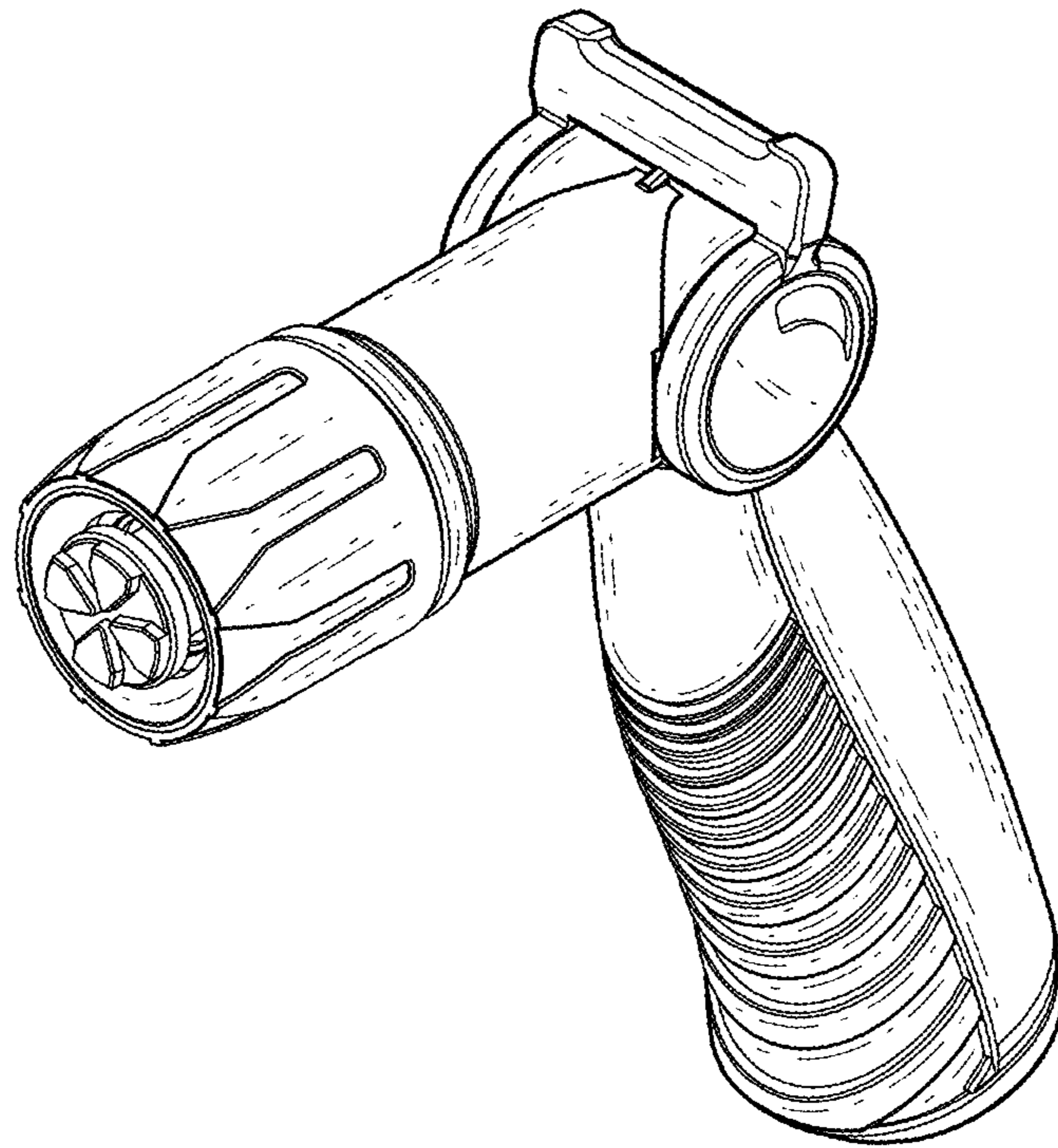


FIG.1

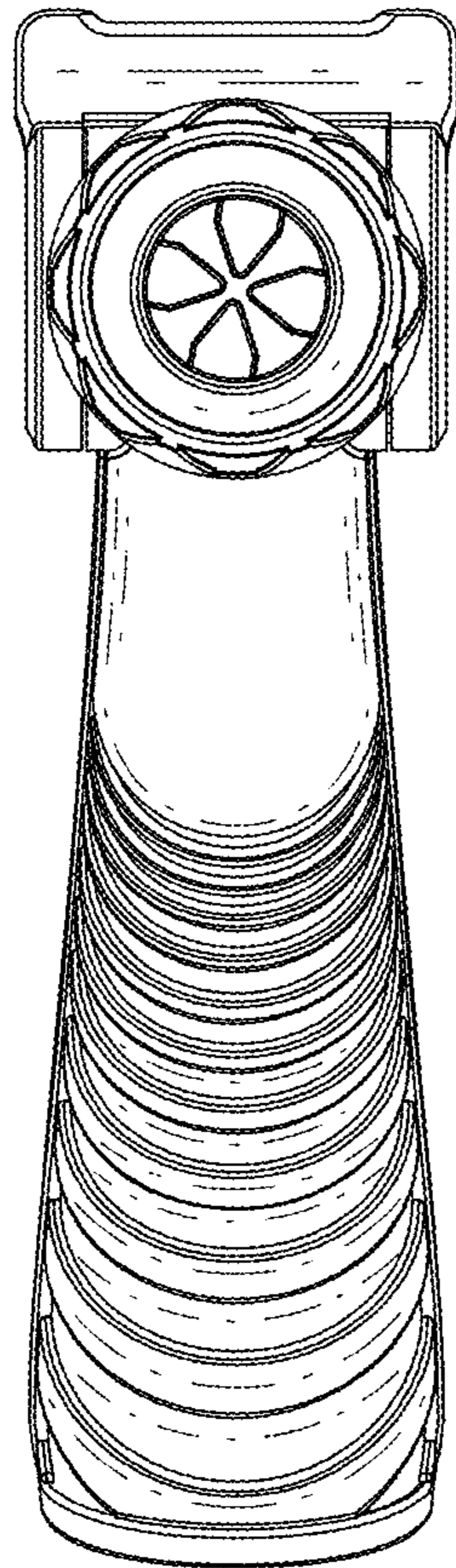


FIG.2

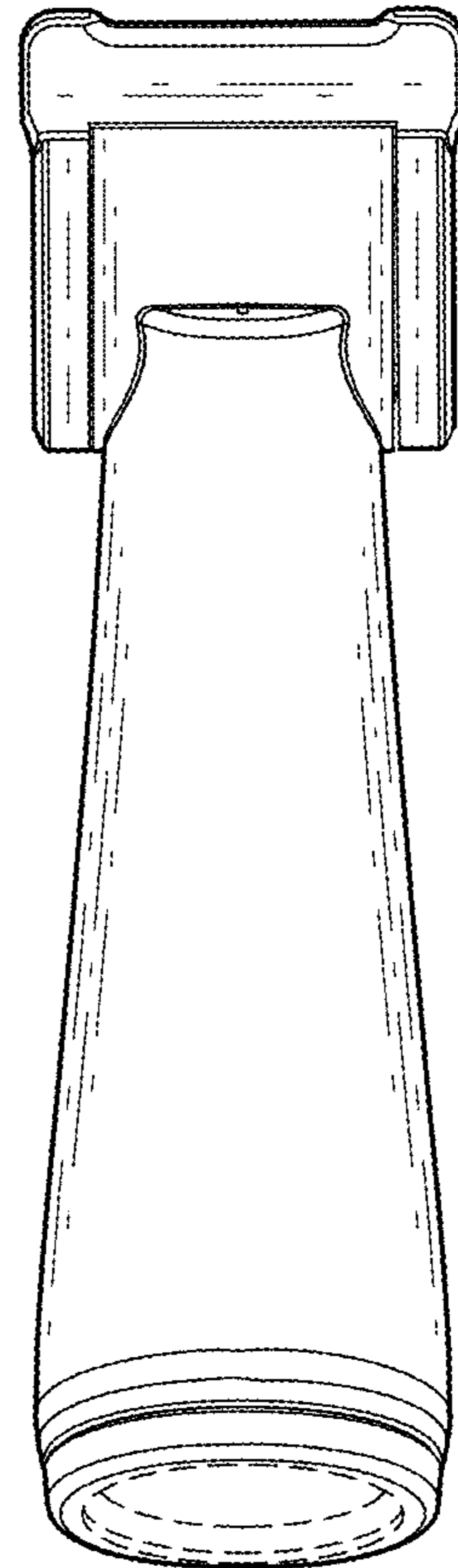


FIG.3

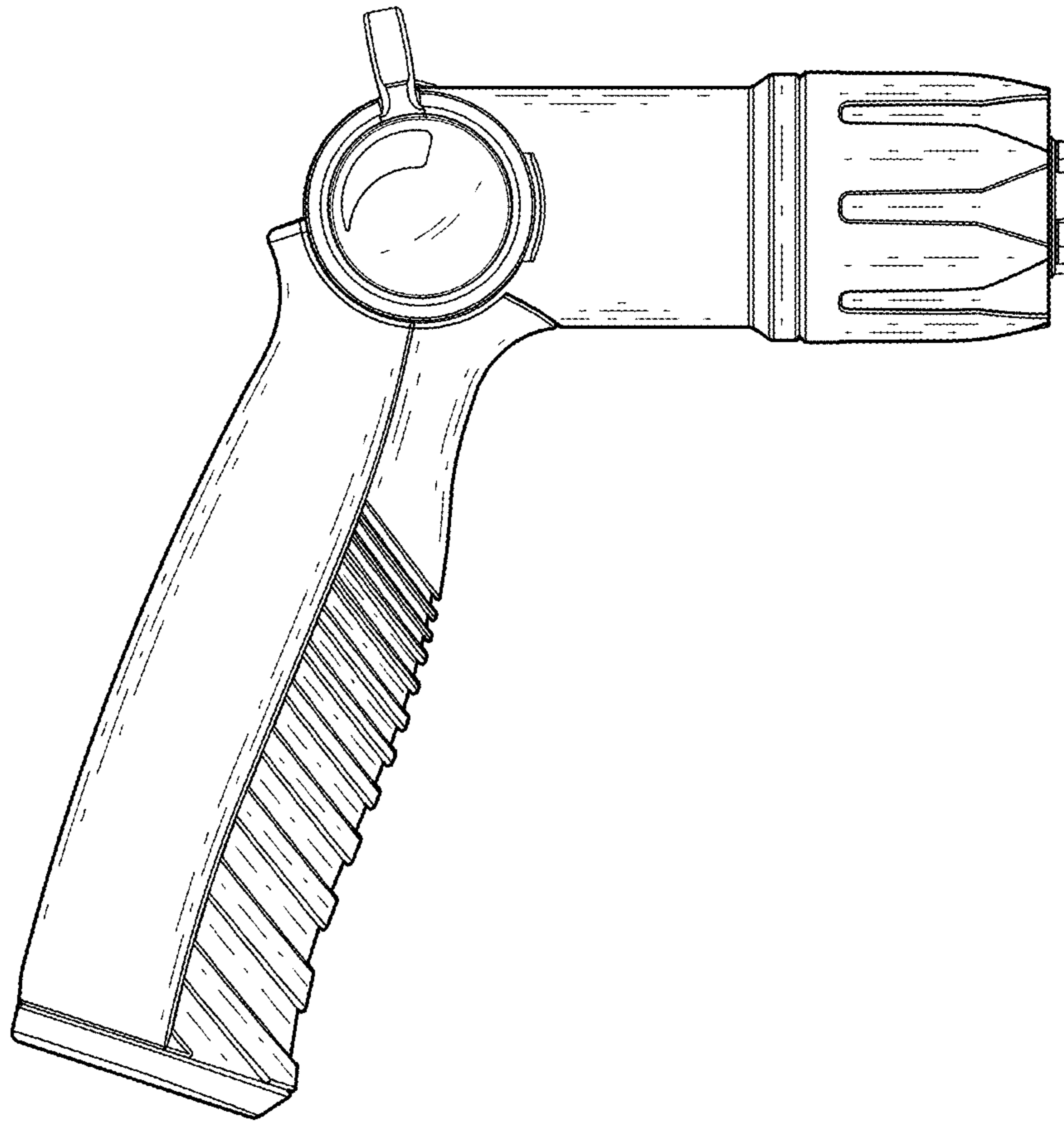


FIG.4

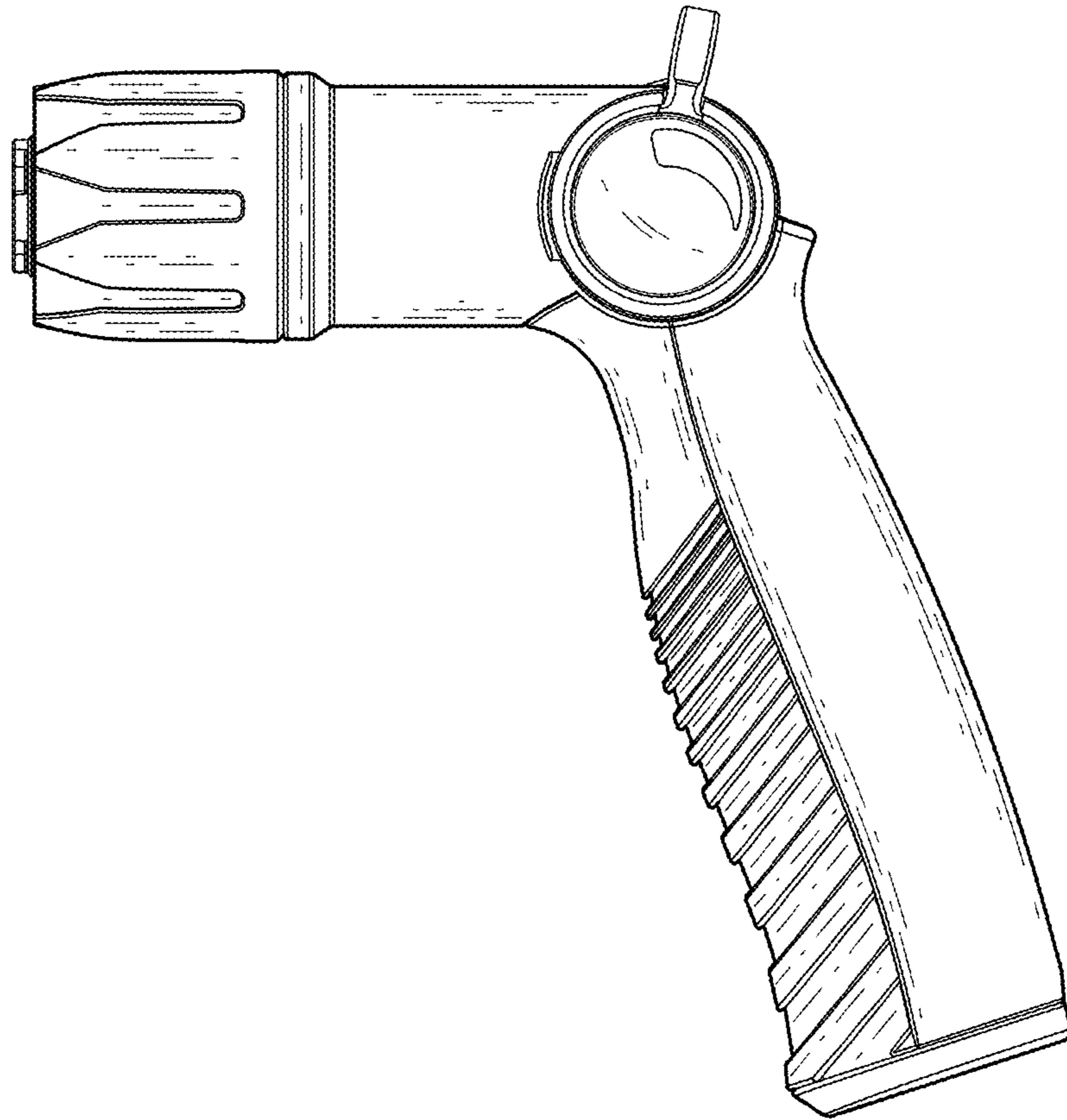


FIG.5

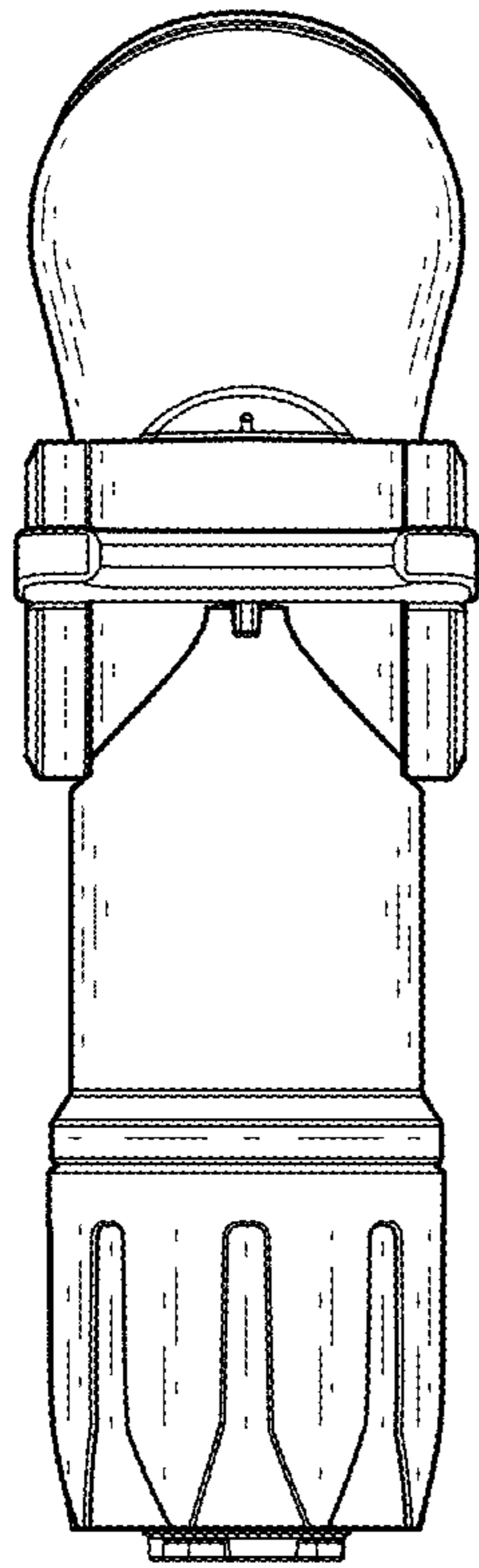


FIG.6

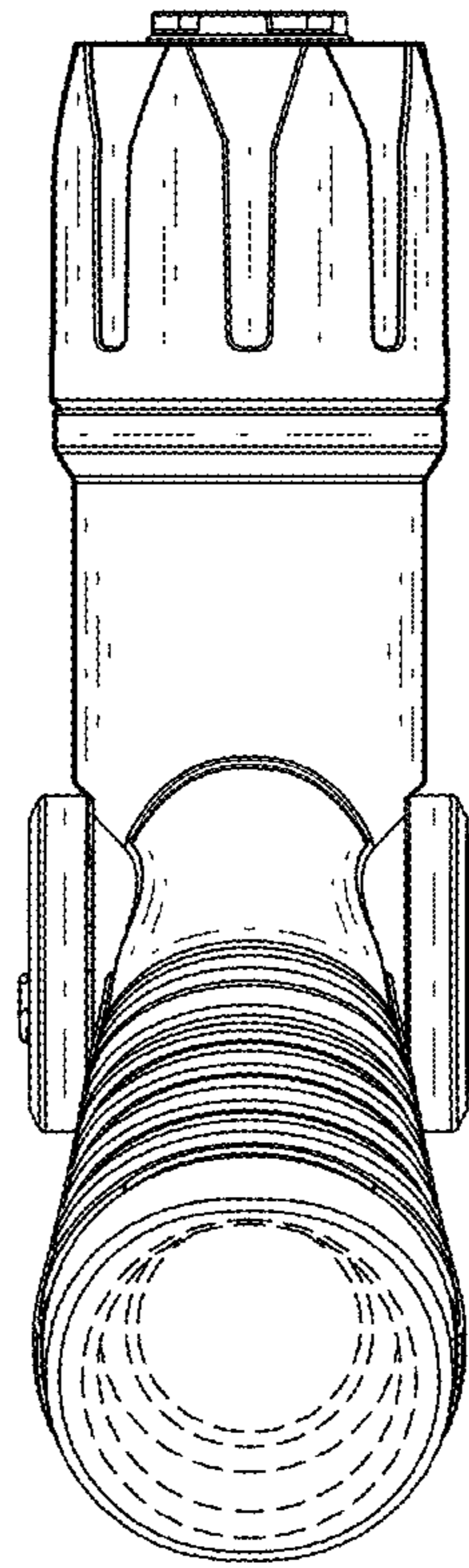


FIG.7

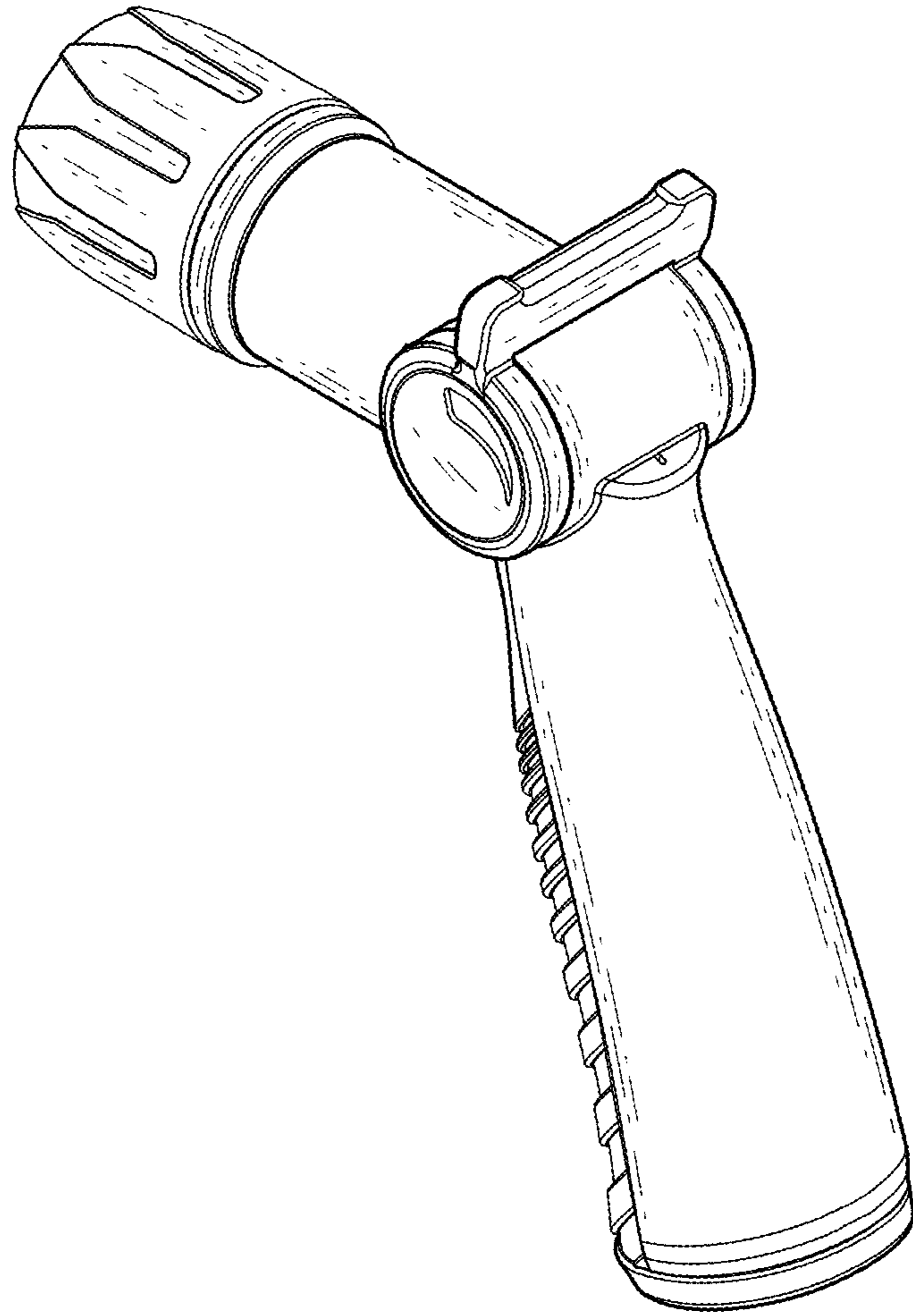


FIG.8