



US00D917663S

(12) **United States Design Patent**
Yan

(10) **Patent No.:** **US D917,663 S**
(45) **Date of Patent:** **** Apr. 27, 2021**

(54) **SHOWER HEAD**

D672,011 S * 12/2012 Andrew D23/223
D672,433 S * 12/2012 Yoo D23/223
D901,630 S * 11/2020 Wu D23/213

(71) Applicant: **XIAMEN GALENPOO KITCHEN & BATHROOM TECHNOLOGY CO., LTD**, Xiamen (CN)

(72) Inventor: **Xiaoling Yan**, Xiamen (CN)

(**) Term: **15 Years**

(21) Appl. No.: **29/729,678**

(22) Filed: **Mar. 30, 2020**

(51) **LOC (13) Cl.** **23-01**

(52) **U.S. Cl.**
USPC **D23/223**

(58) **Field of Classification Search**
USPC D23/213, 214, 215, 223, 224, 226, 229
CPC A61H 9/0021; A61H 33/00; B05B 1/00;
B05B 1/14; B05B 1/185; B05B 1/08;
B05B 1/02; B05B 1/26; B05B 12/002;
B05B 1/18; B05B 9/01

See application file for complete search history.

(56) **References Cited**

U.S. PATENT DOCUMENTS

D575,372 S * 8/2008 Mullenmeister D23/223
D631,133 S * 1/2011 Yoo D23/223
D634,810 S * 3/2011 Yoo D23/213
D667,531 S * 9/2012 Romero D23/223
D667,928 S * 9/2012 Cutler D23/223
D670,358 S * 11/2012 Bai D23/223

OTHER PUBLICATIONS

https://www.amazon.com/AquaDance-6-Setting-Officially-Independently-Performance/dp/B01M1S8GJM/ref=pd_di_sccai_10?pd_rd_w=QAtRX&pf_rd_p=c9443270-b914-4430-a90b-72e3e7e784e0&pf_rd_r=KJ7ZSZNYC6VSZJFMGGEJ&pd_rd_r=cc7fb5cf-e650-4877-8bf9-6cba2a6be4df&pd_rd_wg=28QRH&pd_rd_i=B01M1S8GJM&psc=1 (Year: 2016).*
https://www.amazon.com/dp/B0829XN2L5/ref=sbl_dpx_B06XHPHDND_0 (Year: 2019).*

* cited by examiner

Primary Examiner — Jack Reickel
Assistant Examiner — Keith J Wilson

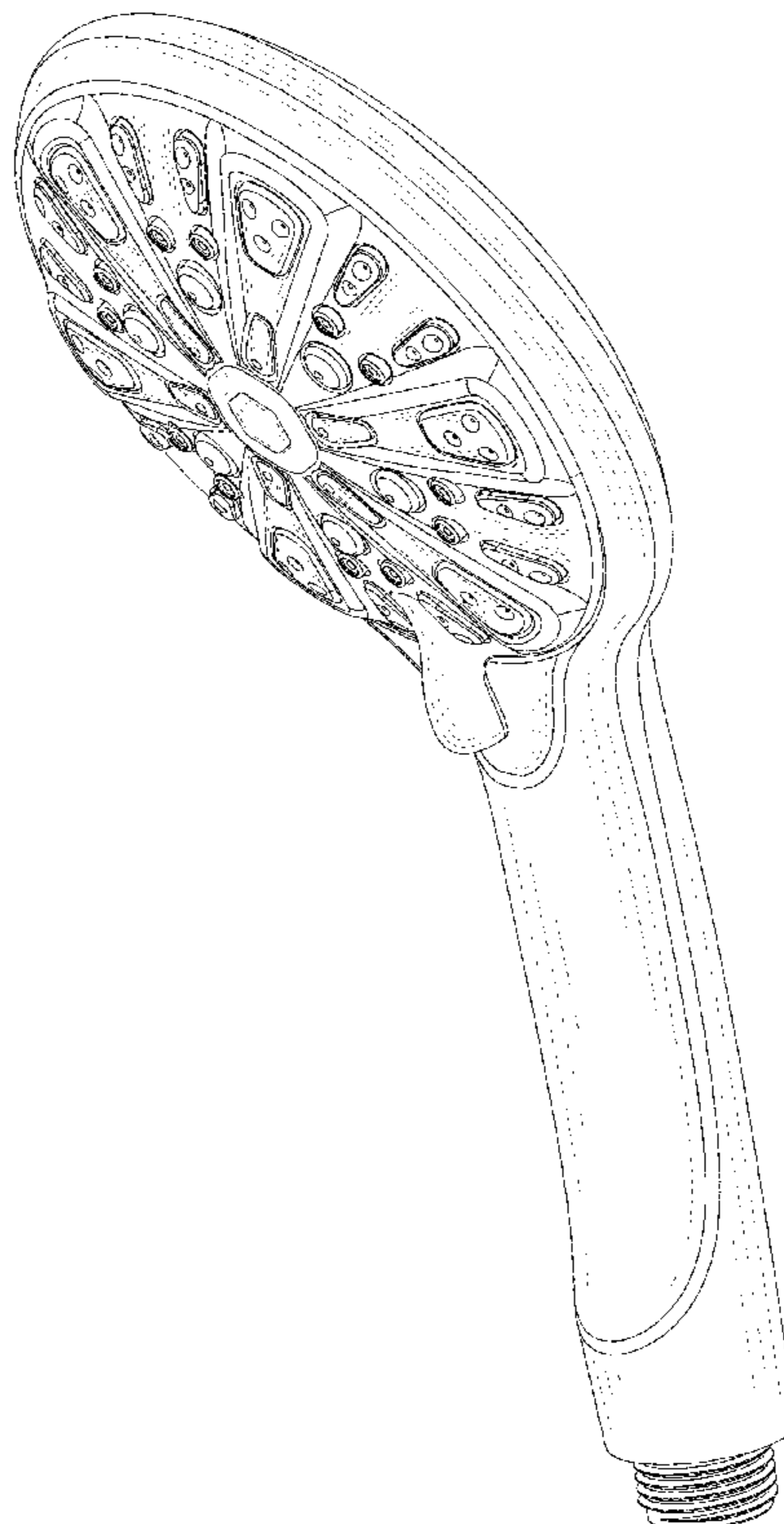
(57) **CLAIM**

I claim the design for a shower head, as shown and described.

DESCRIPTION

FIG. 1 is a front perspective view of a shower head showing my new design;
FIG. 2 is a front view thereof;
FIG. 3 is a rear view thereof;
FIG. 4 is a left-side view thereof;
FIG. 5 is a right-side view thereof;
FIG. 6 is a top view thereof; and,
FIG. 7 is a bottom view thereof.

1 Claim, 7 Drawing Sheets



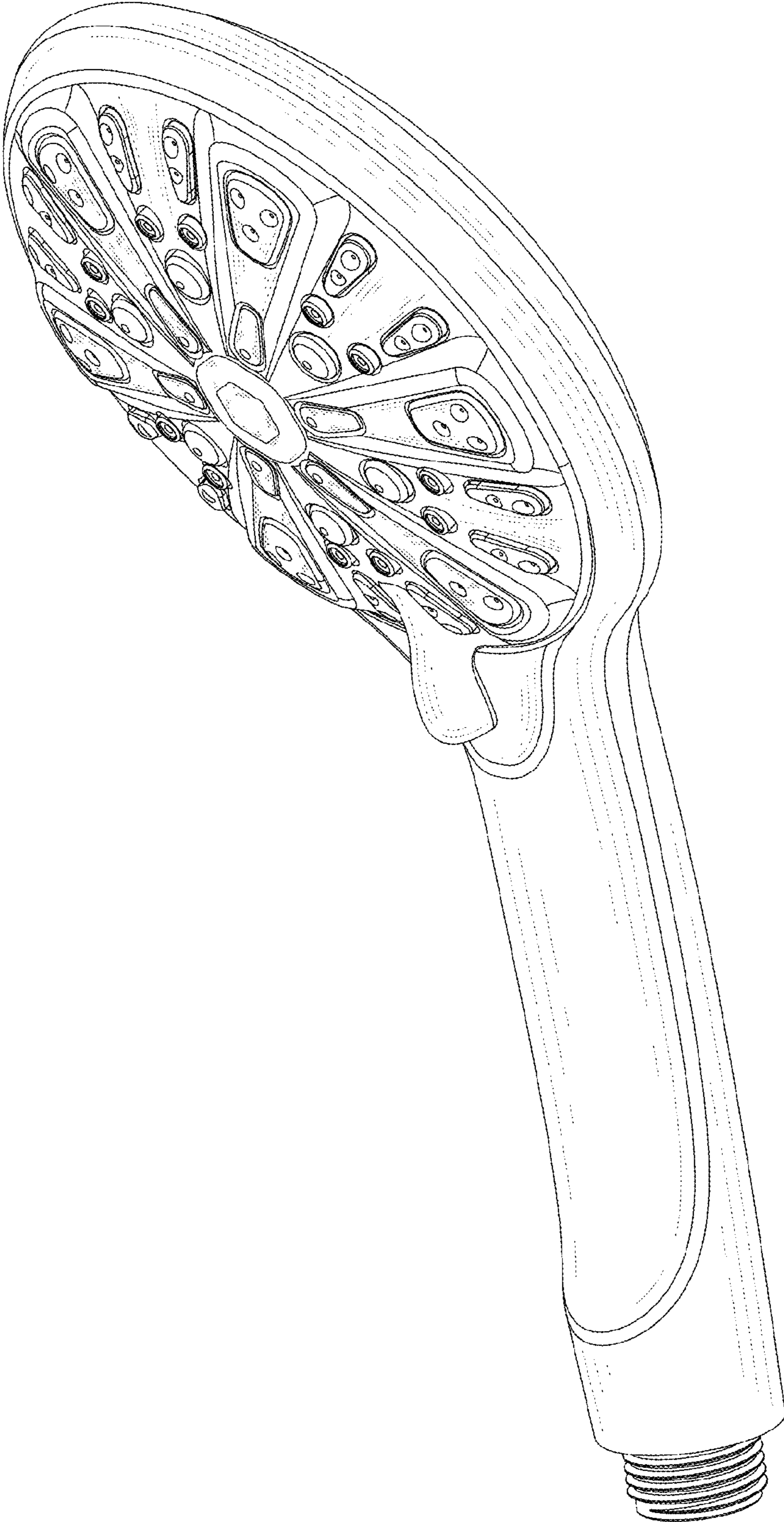


FIG.1

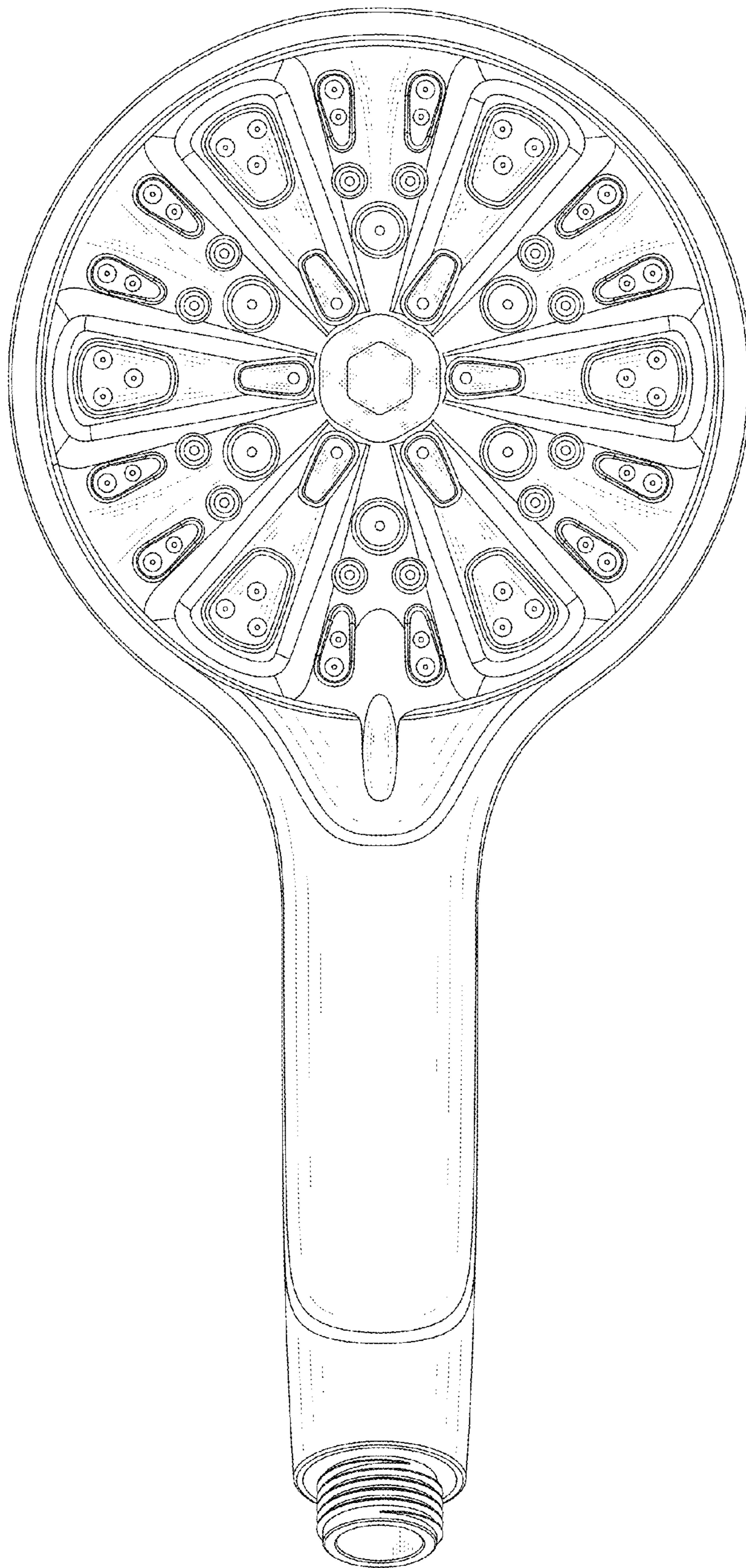


FIG. 2

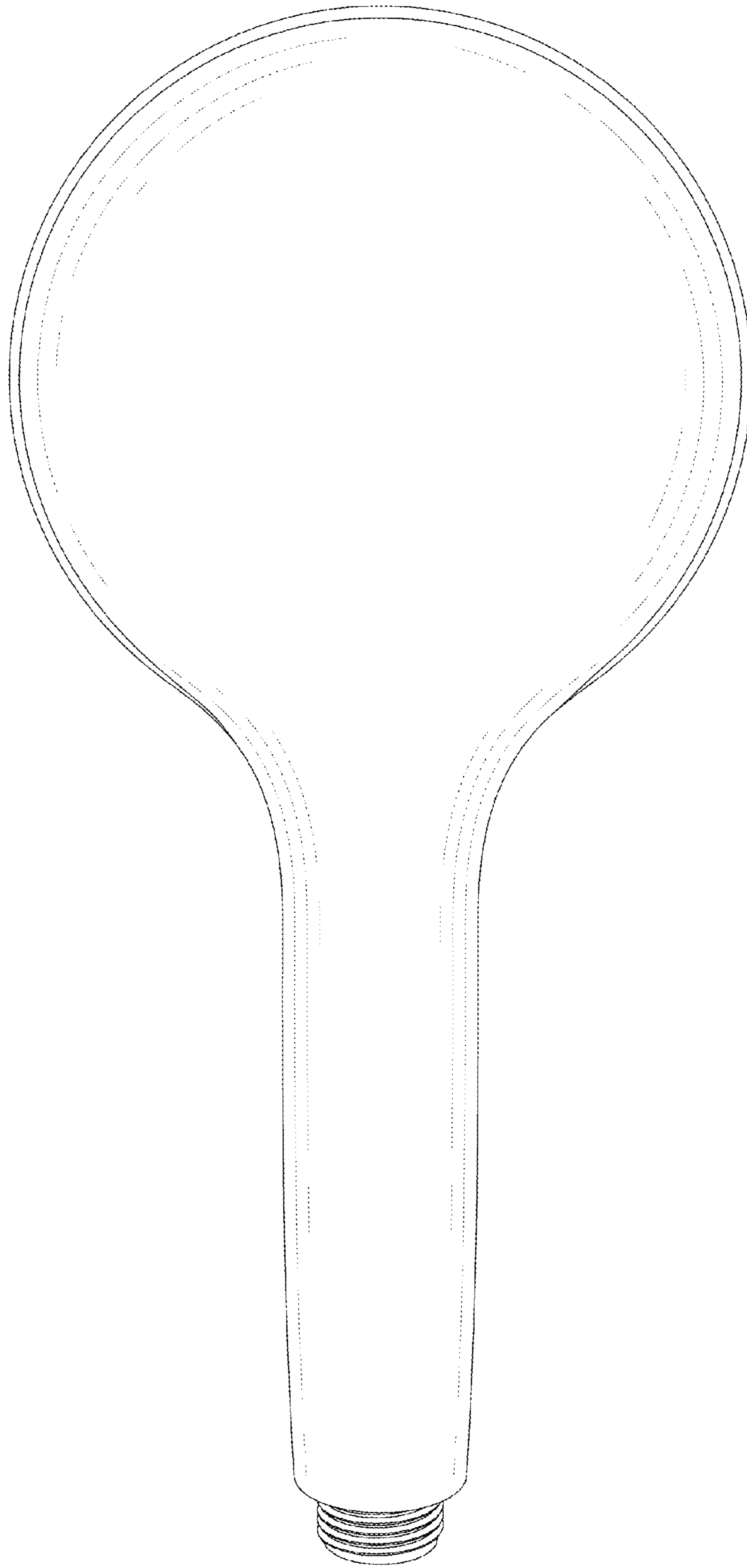


FIG. 3

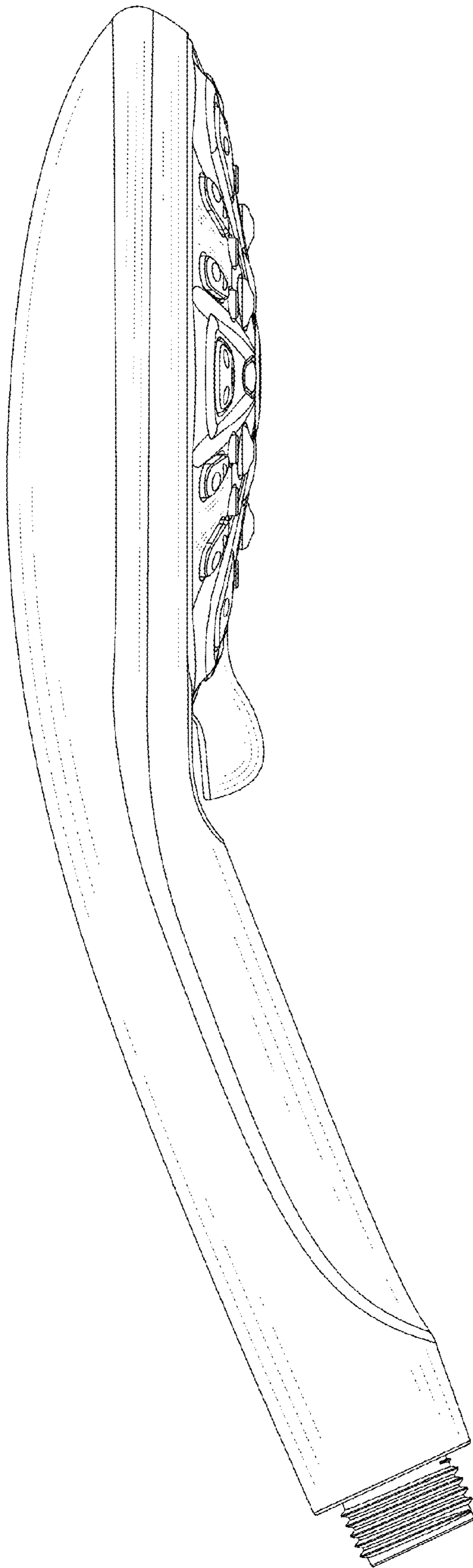


FIG. 4

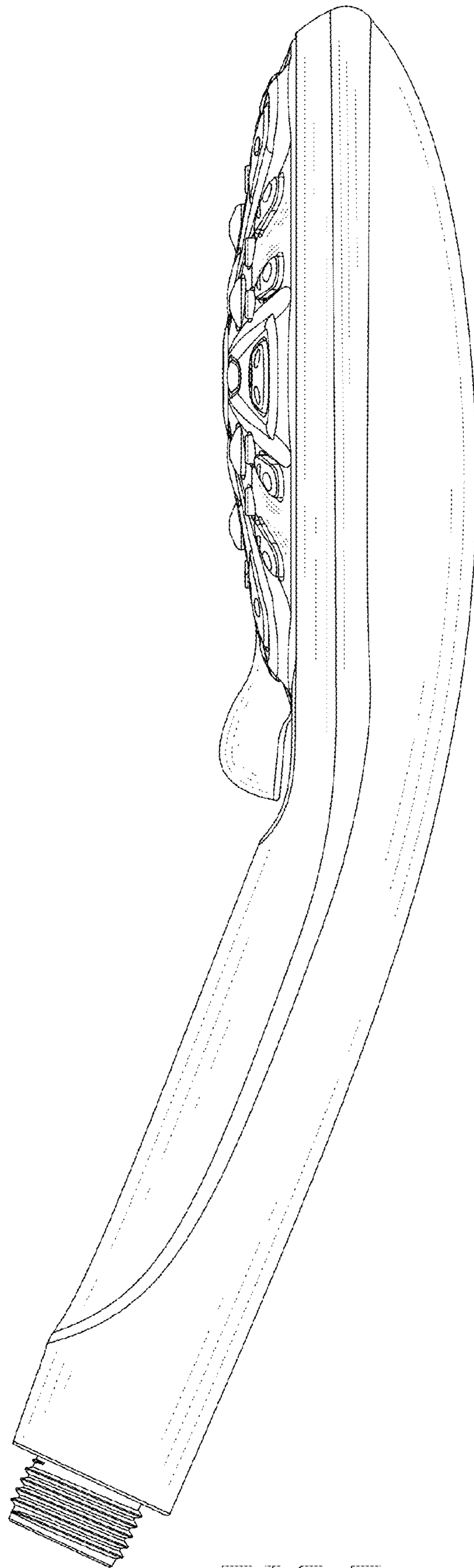


FIG. 5

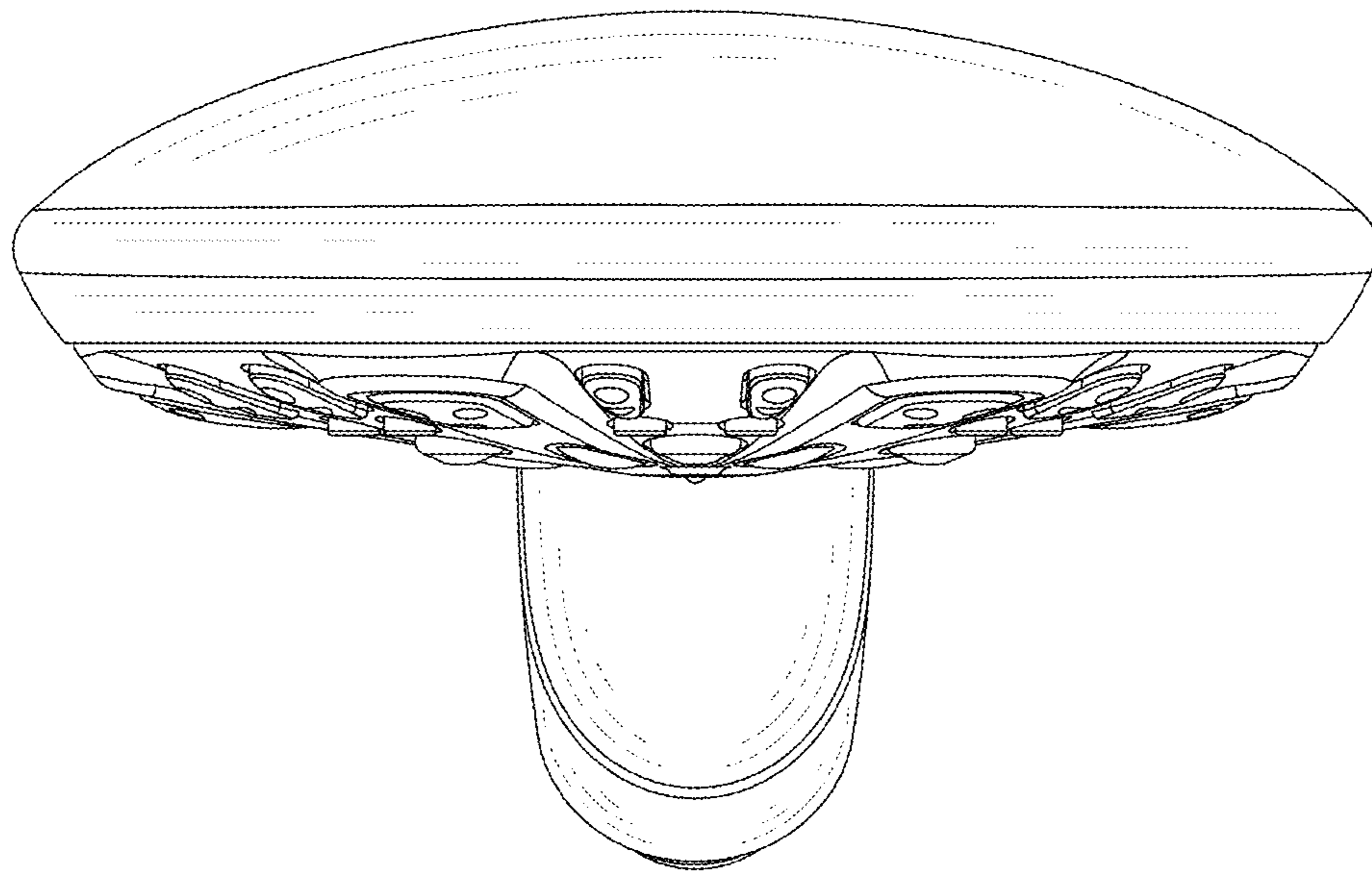


FIG. 6

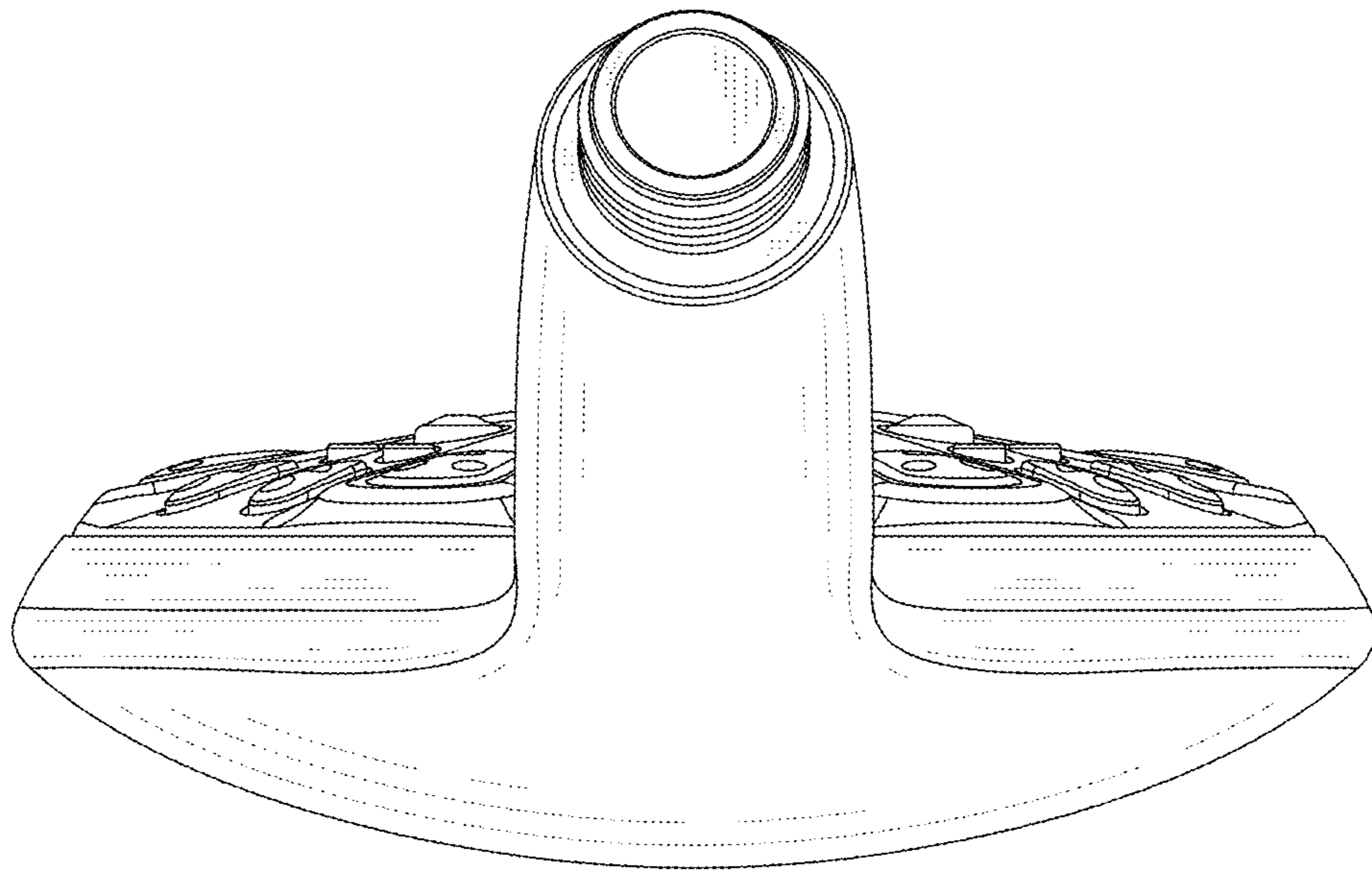


FIG. 7