



US00D917662S

(12) **United States Design Patent** (10) **Patent No.:** **US D917,662 S**
Lu (45) **Date of Patent:** **** Apr. 27, 2021**

(54) **FILTER** D886,940 S * 6/2020 Zou D23/209
D886,941 S * 6/2020 Zou D23/209
(71) Applicant: **TIANJIN PREMIUM** D892,264 S * 8/2020 Zou D23/209
E-COMMERCE CO., LTD., Tianjin D894,332 S * 8/2020 Huaping D23/209
(CN) D894,333 S * 8/2020 Huaping D23/209
2009/0200217 A1* 8/2009 Kim C02F 1/003
210/136
(72) Inventor: **Jun Lu**, Baotou (CN) 2020/0197846 A1* 6/2020 Yoon C02F 1/441

(**) **Term:** **15 Years**

FOREIGN PATENT DOCUMENTS

(21) **Appl. No.:** **29/693,027**

KR 300877481.0000 * 4/2016

(22) **Filed:** **May 30, 2019**

OTHER PUBLICATIONS

(30) **Foreign Application Priority Data**

Apr. 15, 2019 (CN) 201930170676.9

Pureplus, announced Date May 4, 2017[online], [site visited Sep. 29, 2020]. Available from internet, URL:<https://www.amazon.ca/dp/B01NAKSM2I> (Year: 2017).*

(51) **LOC (13) Cl.** **23-01**

EFF-6019AK, announced Date Unavailable[online], [site visited Oct. 6, 2020]. Available from internet, URL:<http://www.ecopurefilter.com/article/20.html> (Year: 2020).*

(52) **U.S. Cl.**
USPC **D23/209**

(Continued)

(58) **Field of Classification Search**
USPC D23/202, 205, 207-210, 259-562
CPC B01D 2201/29; B01D 2201/30; B01D
2201/301; B01D 2201/302; B01D
2201/306; B01D 2201/309; B01D 35/30;
C02F 1/002
See application file for complete search history.

Primary Examiner — Barbara Fox
Assistant Examiner — Jamaal Rasheed
(74) *Attorney, Agent, or Firm* — Yanling Jiang

(57) **CLAIM**

The ornamental design for a filter, as shown and described.

(56) **References Cited**

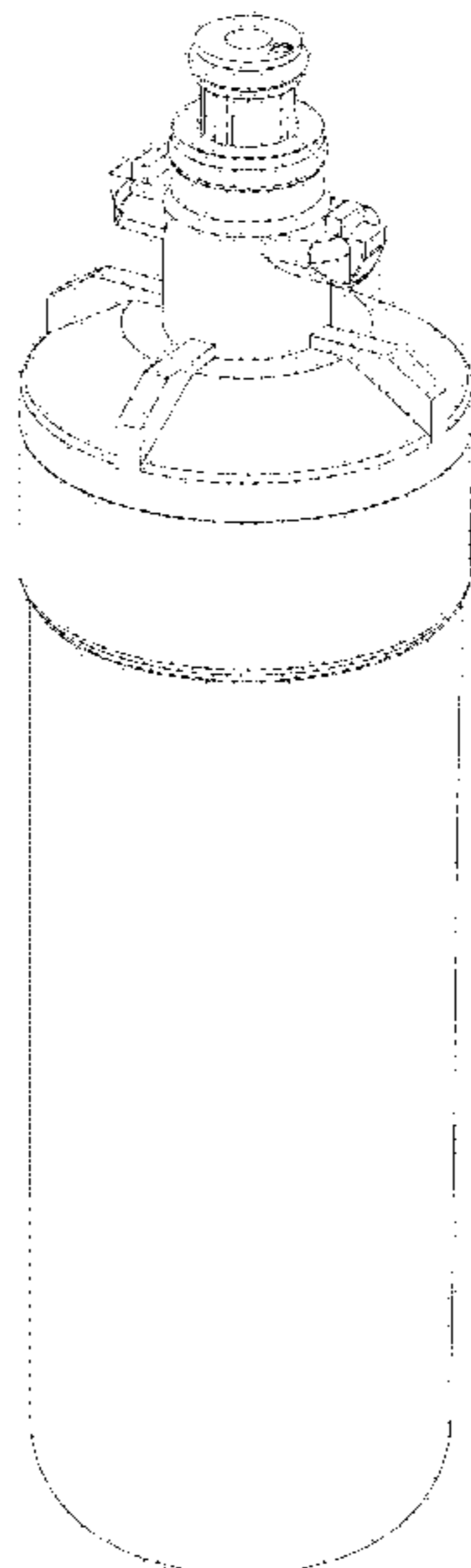
DESCRIPTION

U.S. PATENT DOCUMENTS

D776,237 S * 1/2017 Dong D23/207
D820,948 S * 6/2018 An D23/209
D835,752 S * 12/2018 Spiegel D23/209
D845,433 S * 4/2019 Zou D23/209
D845,434 S * 4/2019 Zou D23/209
D856,472 S * 8/2019 Zou D23/209
D857,840 S * 8/2019 Lu D23/209
D857,841 S * 8/2019 Lu D23/209
D865,119 S * 10/2019 An D23/209
D875,209 S * 2/2020 Zou D23/209
D883,426 S * 5/2020 Lu D23/209

FIG. 1 is a top right perspective view of a filter, showing my new design;
FIG. 2 is a front elevation view thereof;
FIG. 3 is a rear elevation view thereof;
FIG. 4 is a top plan view thereof;
FIG. 5 is a bottom plan view thereof;
FIG. 6 is a side view thereof; and,
FIG. 7 is an opposite side view thereof.

1 Claim, 7 Drawing Sheets



(56)

References Cited

OTHER PUBLICATIONS

Aqua Crest, announced Date Jun. 29, 2018[online], [site visited Sep. 29, 2020]. Available from internet, URL:<<https://www.amazon.ca/dp/B07K6DWB3>> (Year: 2018).*

Odogo, announced Date May 23, 2016[online], [site visited Sep. 29, 2020]. Available from internet, URL:<<https://www.amazon.ca/dp/B01G01Y9YS>> (Year: 2016).*

* cited by examiner

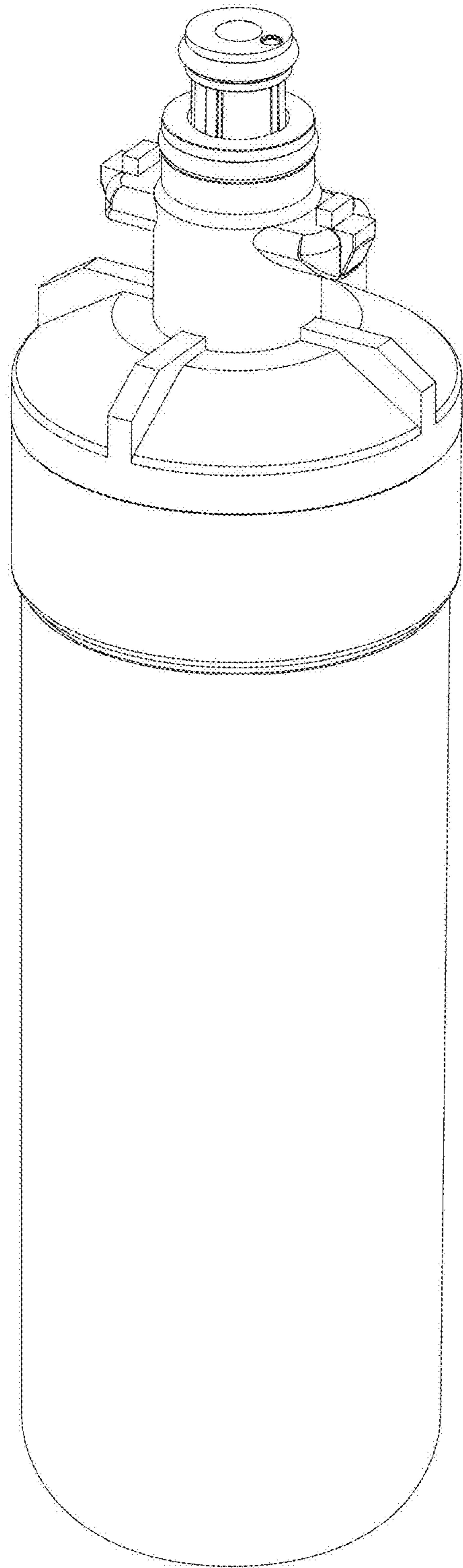


Fig. 1

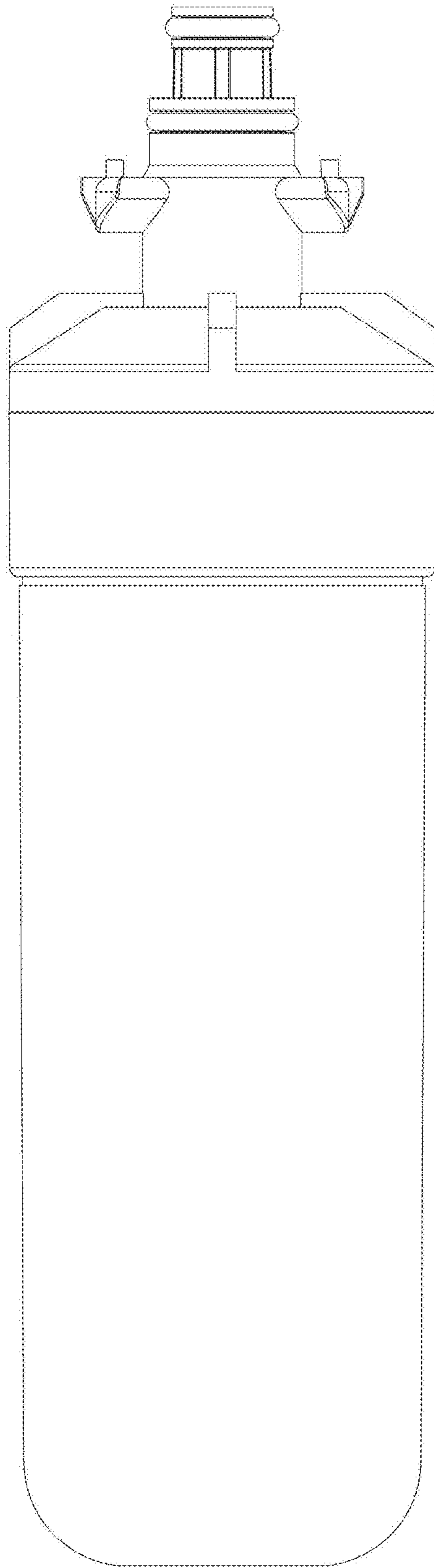


Fig. 2

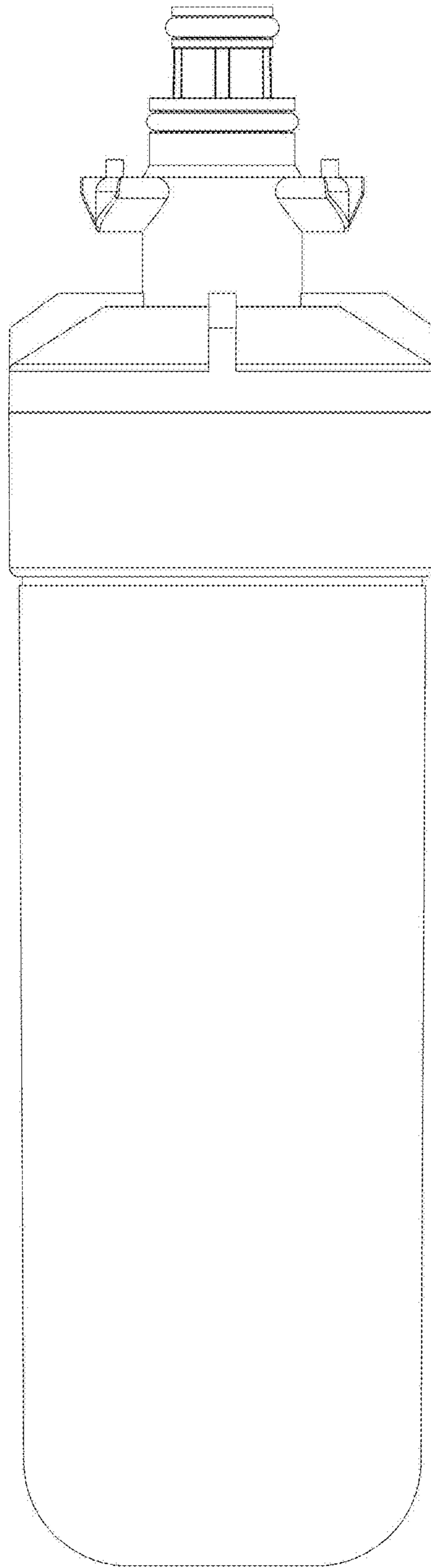


Fig.3

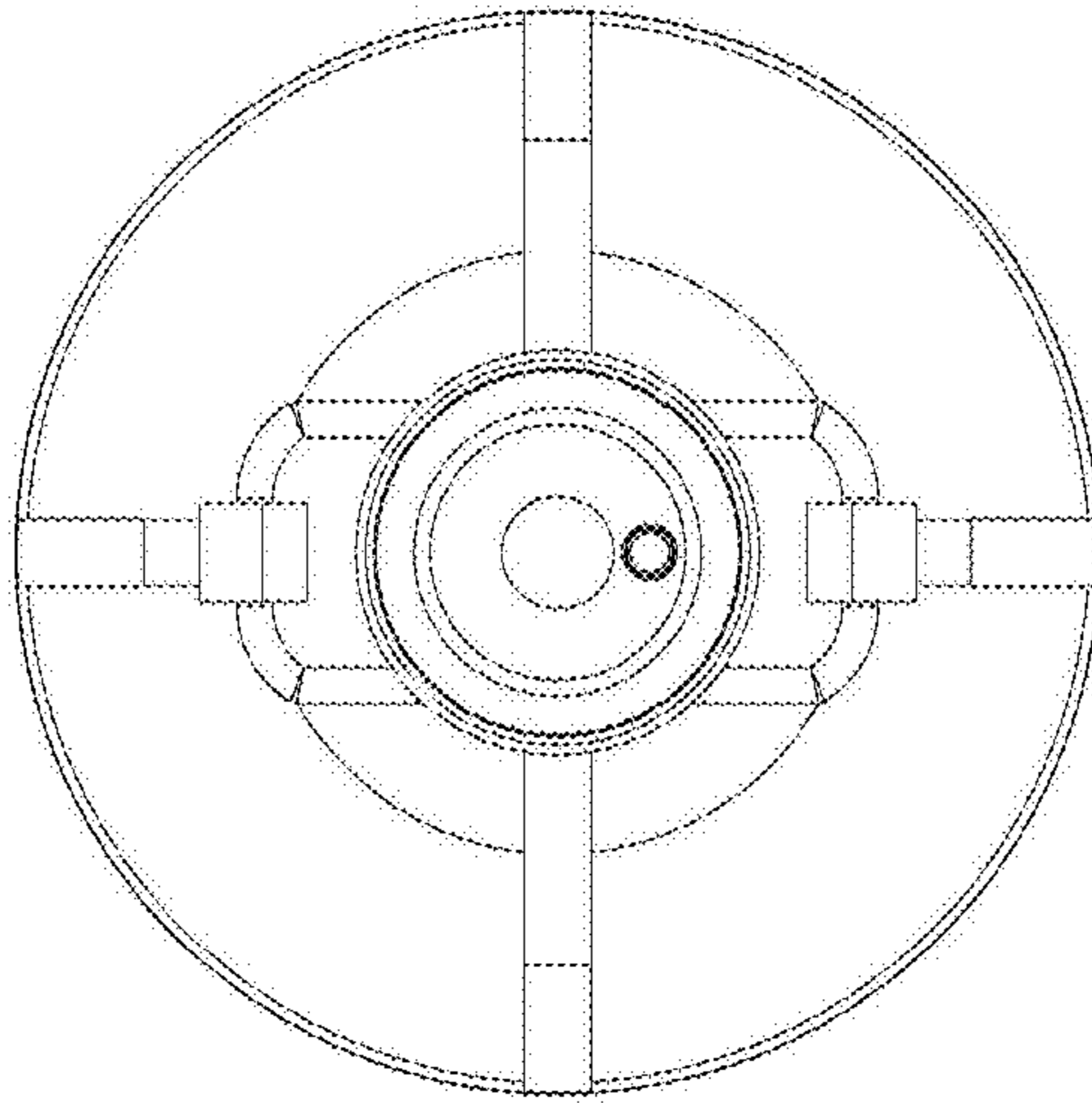


Fig.4

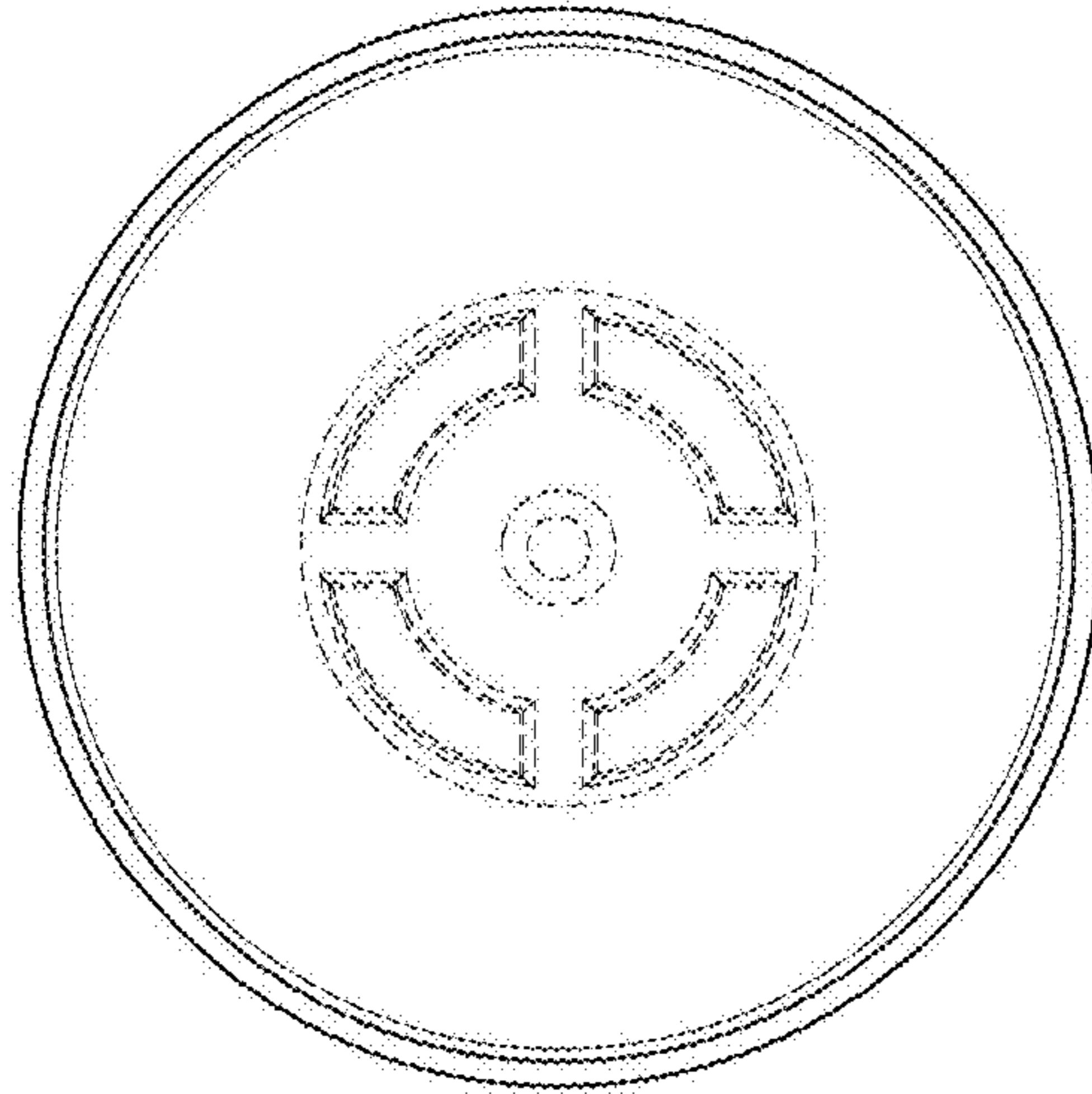


Fig.5

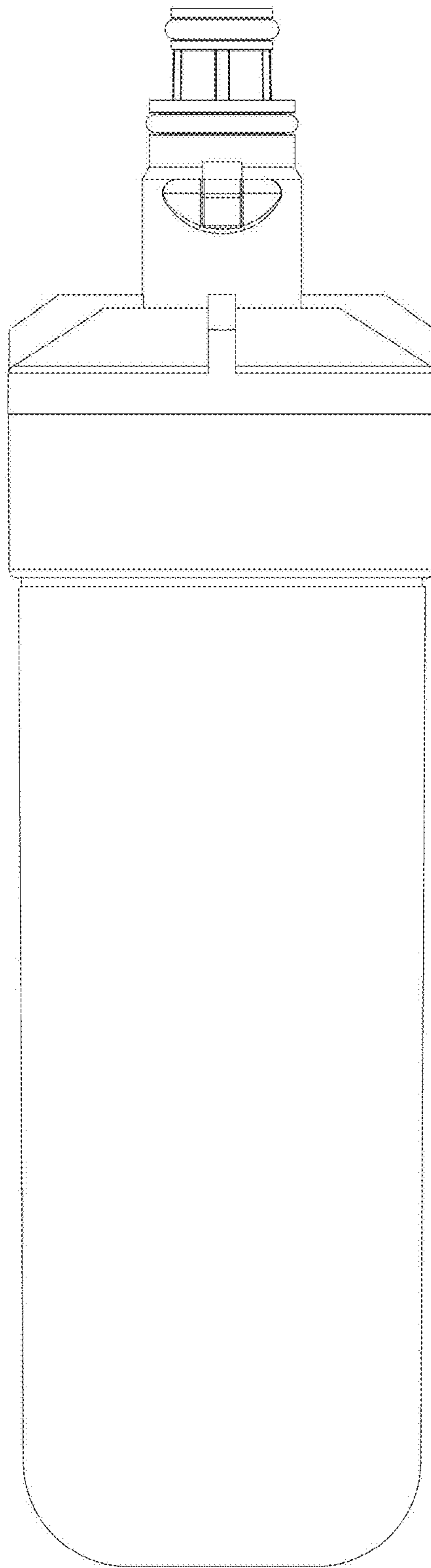


Fig. 6

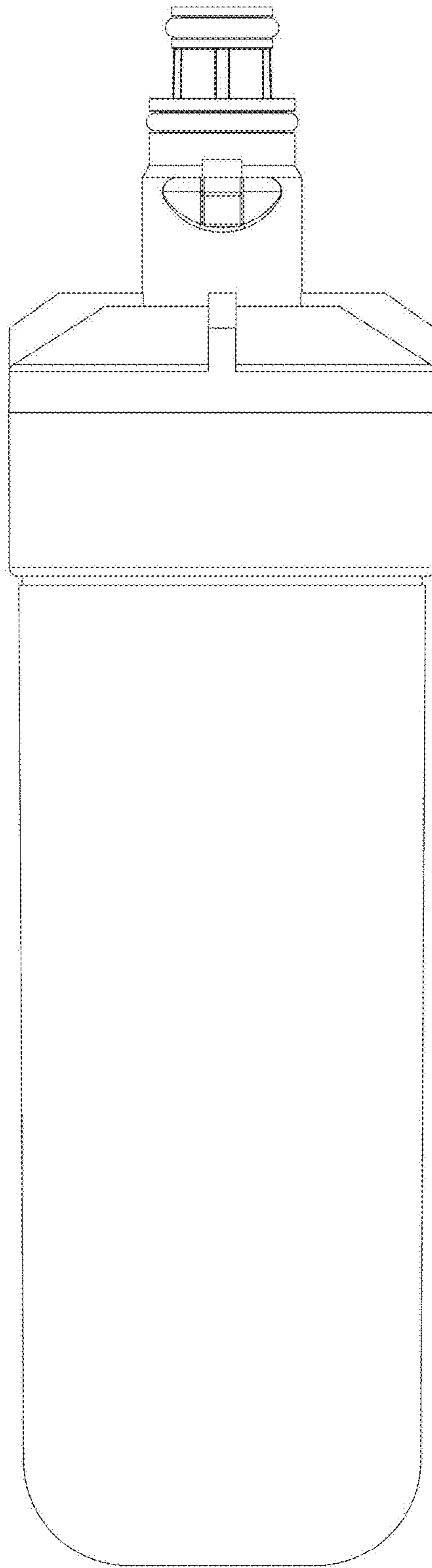


Fig. 7