



US00D917660S

(12) **United States Design Patent** (10) **Patent No.:** **US D917,660 S**
Lu (45) **Date of Patent:** **** Apr. 27, 2021**

(54) **WATER FOUNTAIN**

(71) Applicant: **Tianjin Premium E-Commerce Co., Ltd.**, Tianjing (CN)

(72) Inventor: **Jun Lu**, Baotou (CN)

(**) Term: **15 Years**

(21) Appl. No.: **29/680,714**

(22) Filed: **Feb. 19, 2019**

(51) **LOC (13) Cl.** **23-01**

(52) **U.S. Cl.**

USPC **D23/201**

(58) **Field of Classification Search**

USPC D23/201, 202, 206, 211.1, 223–227, 247;
D30/121, 132

CPC A01K 7/00; B05B 9/08; B05B 9/0805;
B05B 9/0811; B05B 9/0816; B05B
9/0822

See application file for complete search history.

(56) **References Cited**

U.S. PATENT DOCUMENTS

D238,314 S * 12/1975 Smith D23/200
4,034,715 A * 7/1977 Amer A01K 5/0114
119/51.5
D704,391 S * 5/2014 Tan D30/132
D820,533 S * 6/2018 Huang D30/132
D841,772 S * 2/2019 Tappeiner D23/201
D846,815 S * 4/2019 Darkwah D30/132
D849,336 S * 5/2019 Huang D30/132
D849,337 S * 5/2019 Huang D30/132

D850,731 S * 6/2019 Wu A01K 7/00
D30/132

D872,381 S * 1/2020 Lee A01K 5/0114
D30/132

2010/0095897 A1* 4/2010 Rowe A01K 7/00
119/72

OTHER PUBLICATIONS

Bed Bath Beyond, Premier Pet Automatic Pet Fountain, undated online product page, retrieved Feb. 13, 2020 from <URL:https://www.bedbathandbeyond.com/store/product/premier-pet-automatic-pet-fountain-for-cats-and-dogs-in-grey/5410585> (Year: 2020).*

* cited by examiner

Primary Examiner — Sheryl Lane

Assistant Examiner — Calvin E Vansant

(74) *Attorney, Agent, or Firm* — Yanling Jiang

(57) **CLAIM**

The ornamental design for water fountain, as shown and described.

DESCRIPTION

FIG. 1 is a top right perspective view showing my new design;

FIG. 2 is a front elevation view thereof;

FIG. 3 is a rear elevation view thereof;

FIG. 4 is a top plan view thereof;

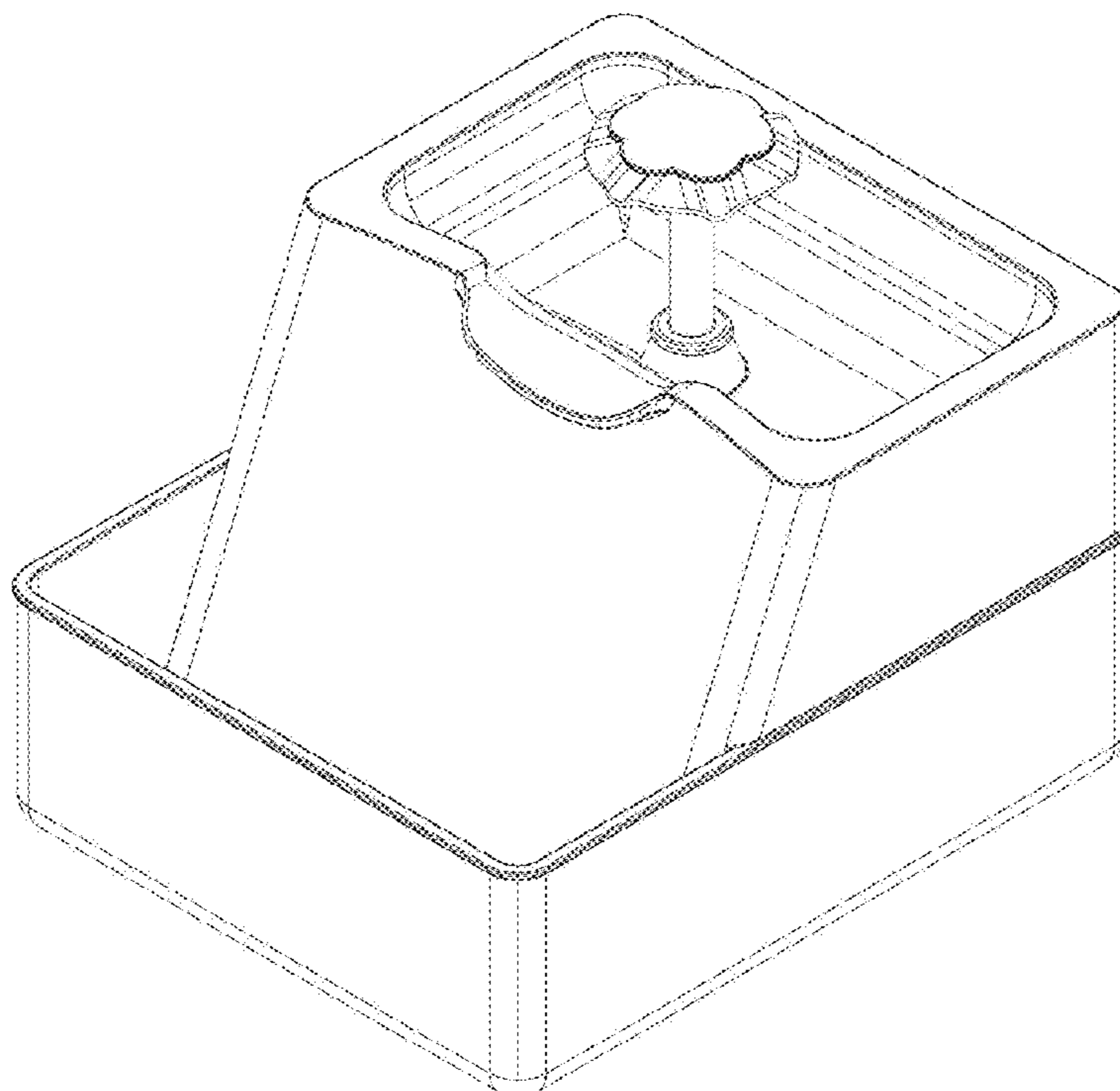
FIG. 5 is a bottom plan view thereof;

FIG. 6 is a side view thereof; and,

FIG. 7 is an opposite side view thereof.

The broken lines depict portions of the water fountain that form no part of the claim.

1 Claim, 7 Drawing Sheets



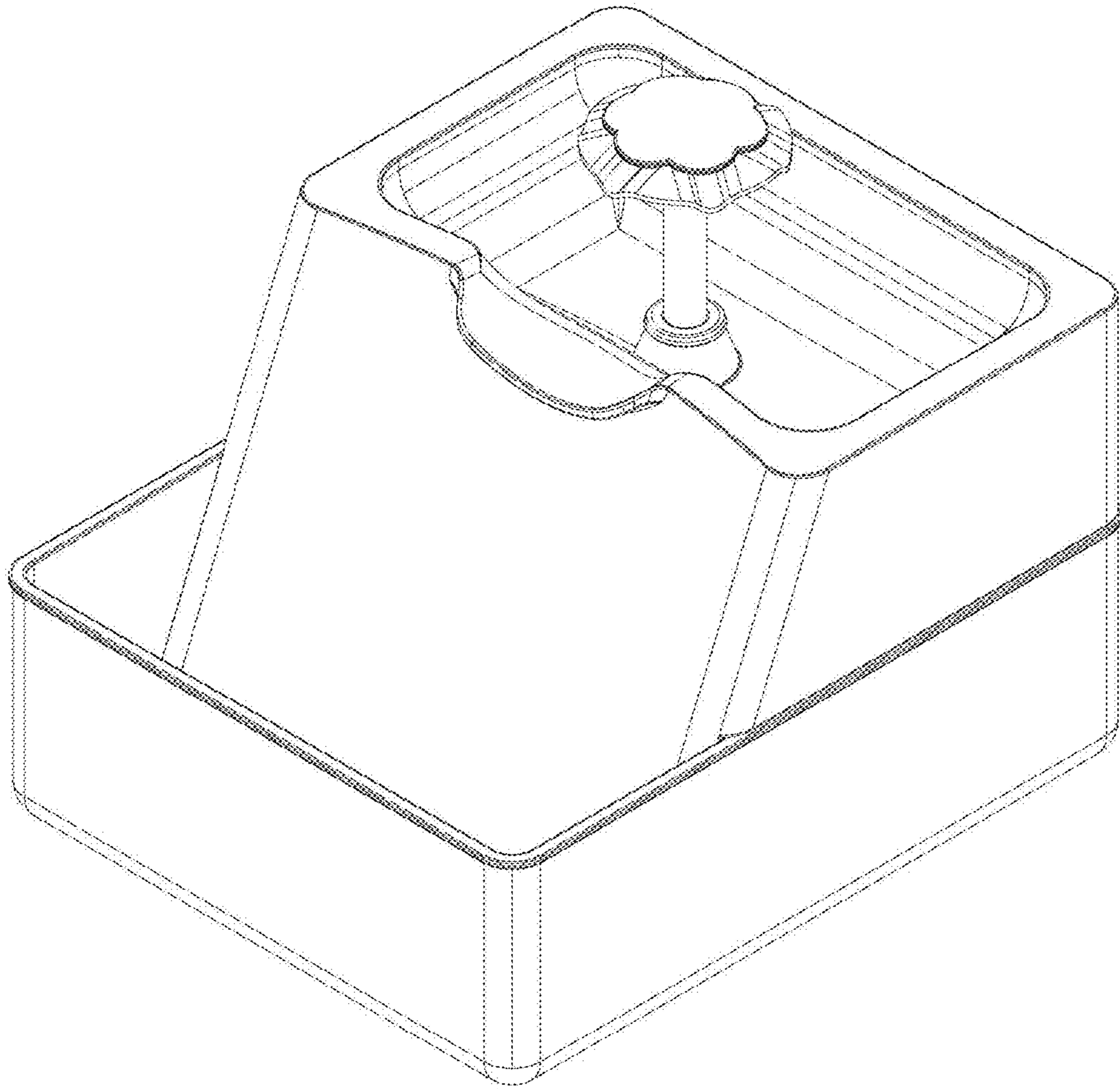


Fig. 1

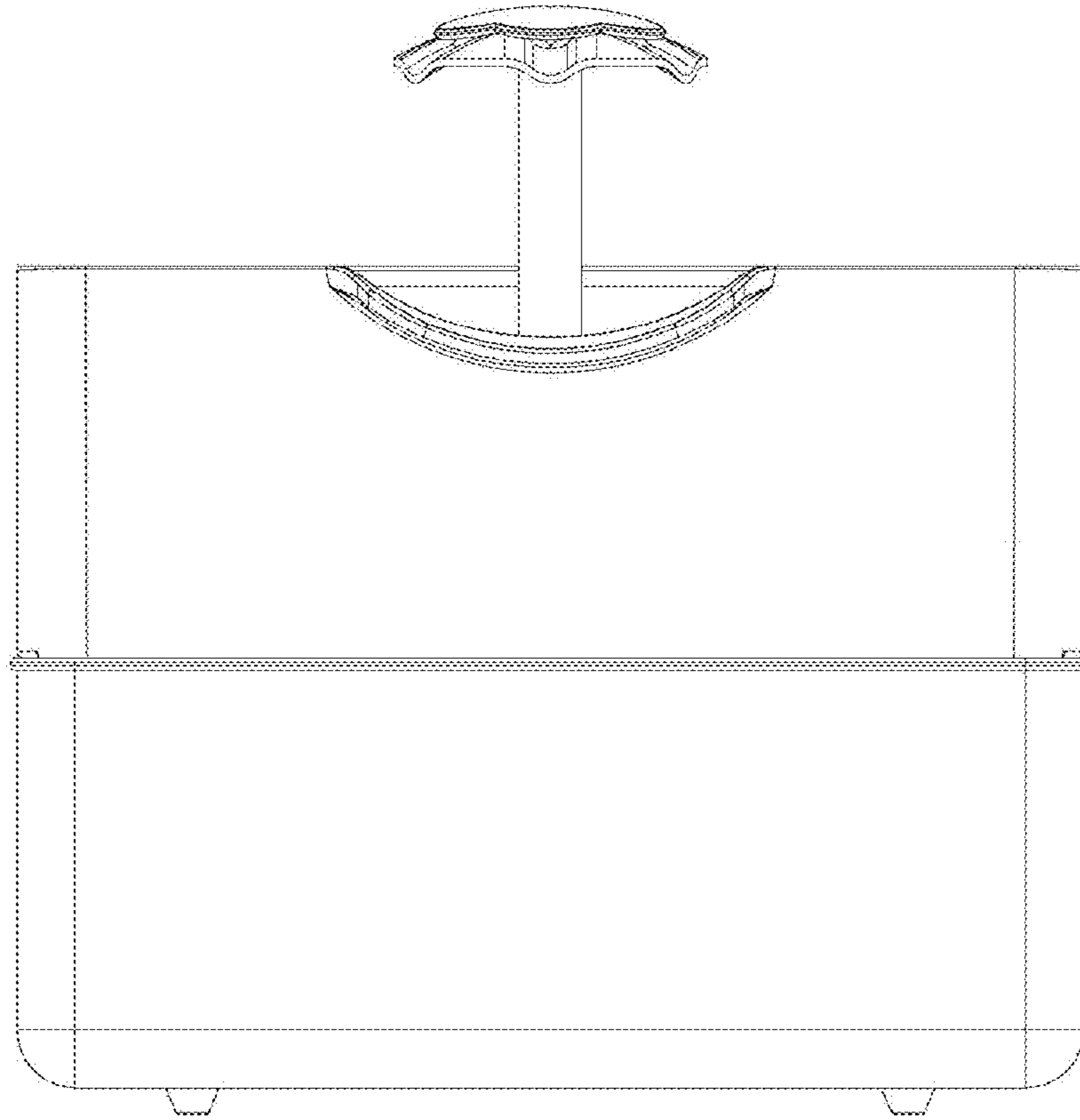


Fig. 2

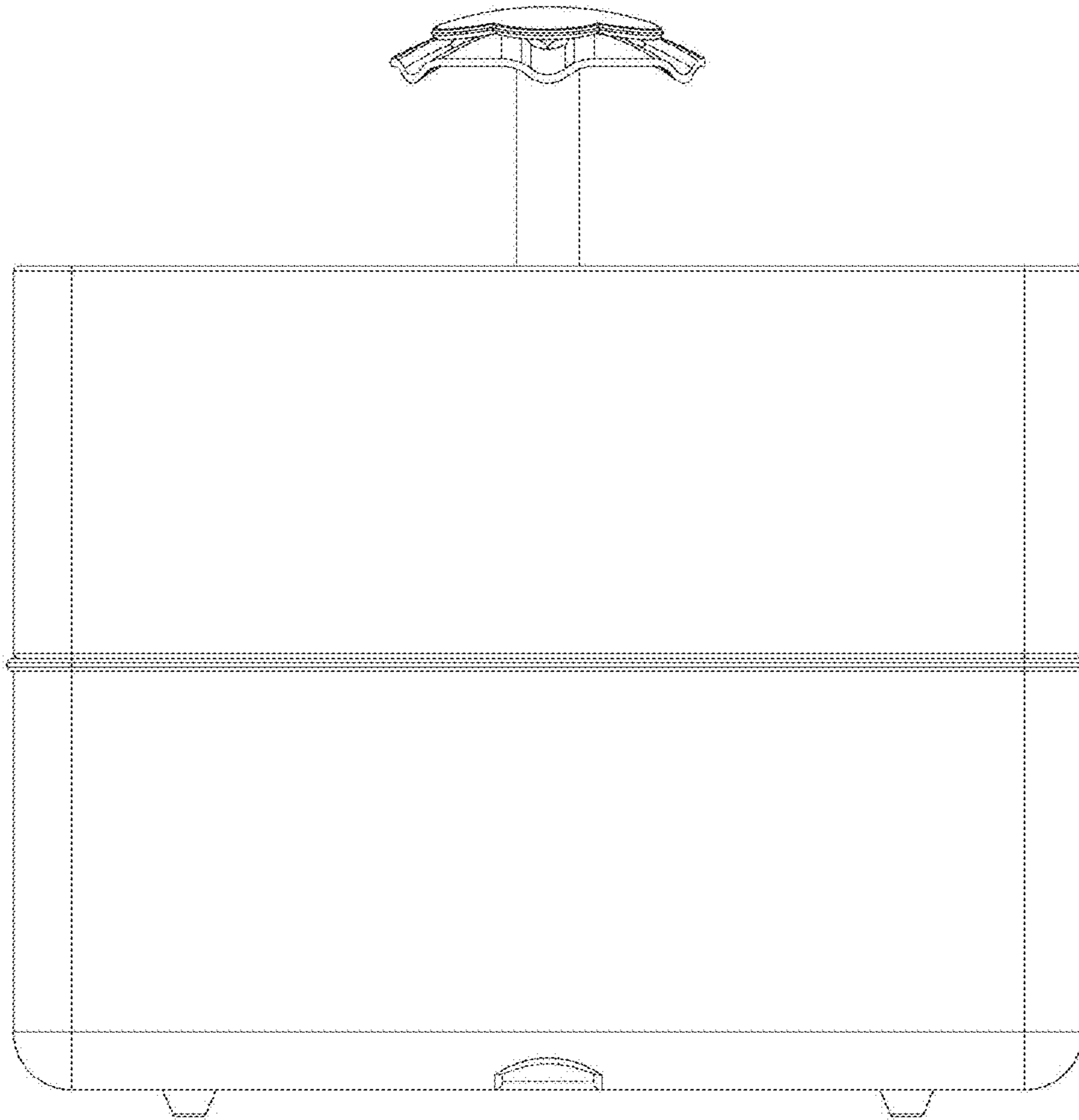


Fig.3

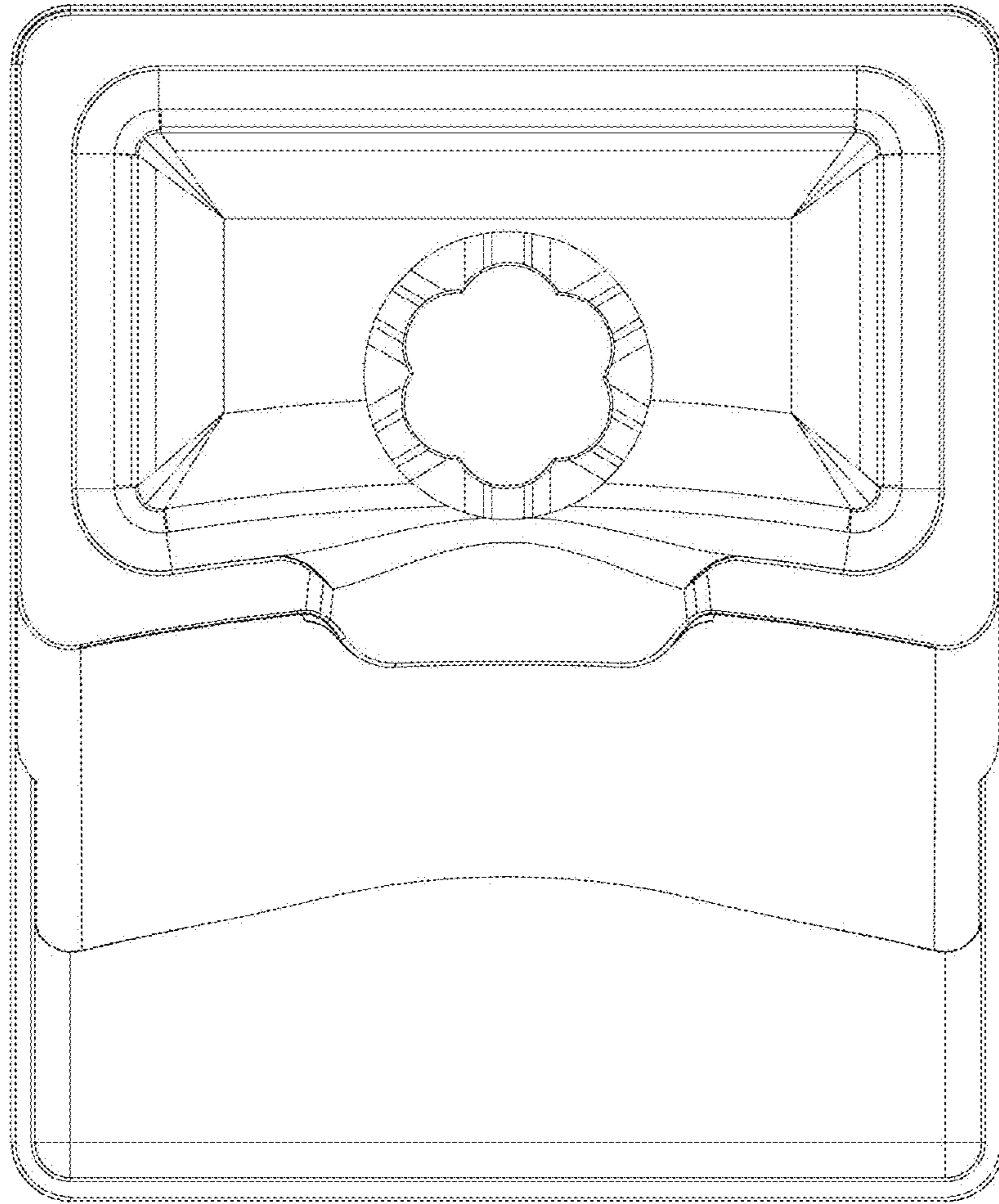


Fig.4

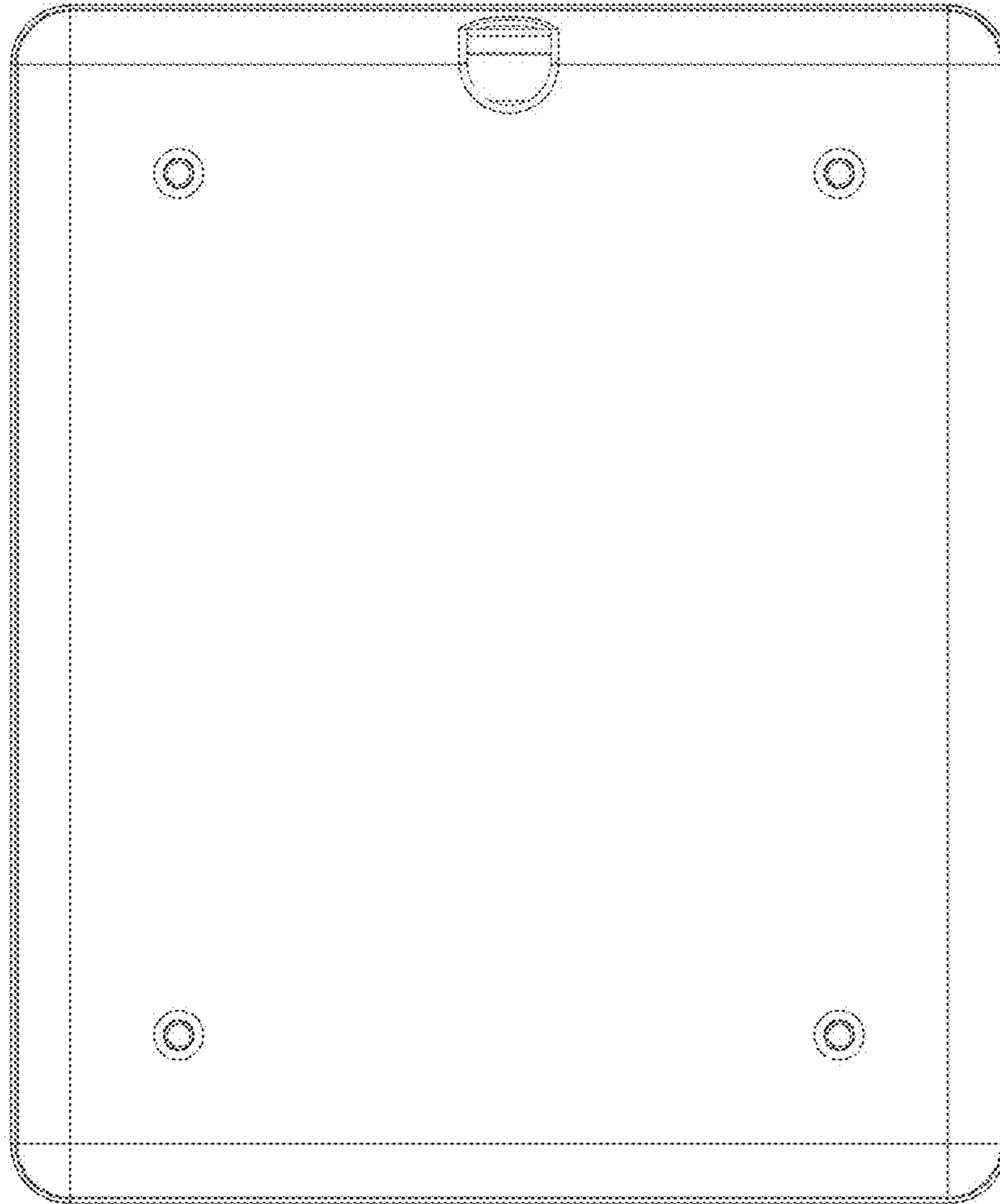


Fig. 5

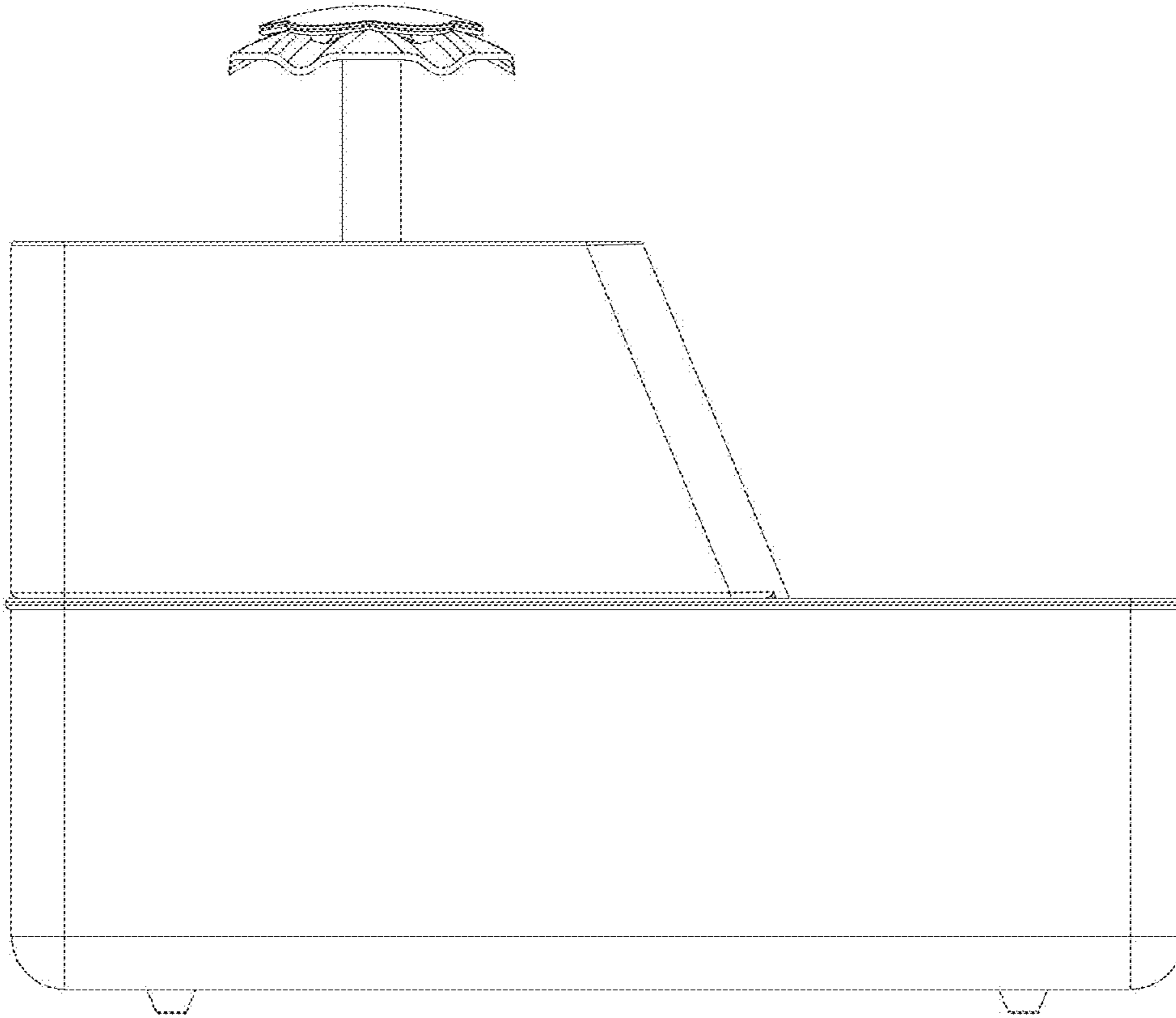


Fig. 6

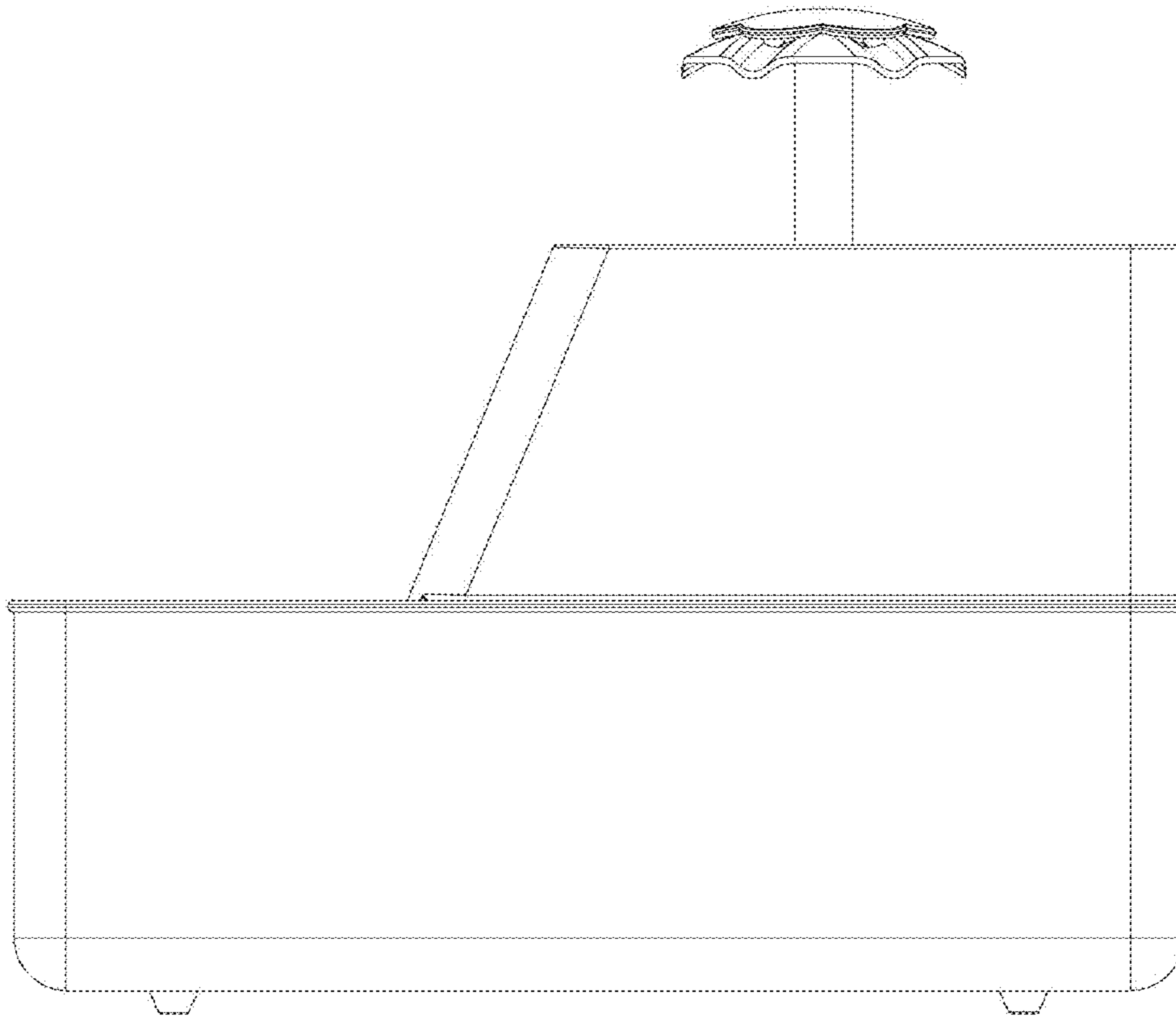


Fig. 7