



US00D917659S

(12) **United States Design Patent**  
**Pratt**

(10) **Patent No.:** **US D917,659 S**

(45) **Date of Patent:** **\*\* Apr. 27, 2021**

(54) **FISHING ROD HOLDER**

(71) Applicant: **RAILBLAZA LIMITED**, Silverdale  
Auckland (NZ)

(72) Inventor: **Chris Pratt**, Silverdale (NZ)

(73) Assignee: **Railblaza Limited**, Auckland (NZ)

(\*\*) Term: **15 Years**

(21) Appl. No.: **29/718,082**

(22) Filed: **Dec. 20, 2019**

(30) **Foreign Application Priority Data**

Aug. 1, 2019 (AU) ..... 201914295

(51) **LOC (13) Cl.** ..... **22-05**

(52) **U.S. Cl.**  
USPC ..... **D22/147**

(58) **Field of Classification Search**  
USPC ..... D22/147; D6/552-553, 567; 211/13.1,  
211/64, 70.8, 60.1; 248/512, 520, 538;  
43/21.2, 23, 25  
CPC ..... A01K 87/00; A01K 87/08; A01K 97/10;  
A47B 81/005  
See application file for complete search history.

(56) **References Cited**

**U.S. PATENT DOCUMENTS**

D179,525 S \* 1/1957 Porter ..... D22/147  
D271,610 S \* 11/1983 Lummis ..... D22/147  
D271,611 S \* 11/1983 Lummis ..... D22/147  
6,530,170 B1 \* 3/2003 Sweeney ..... A01K 97/10  
211/70.8

D491,999 S \* 6/2004 Scott ..... D22/142  
D599,877 S \* 9/2009 Battin, Jr. .... D22/147  
D848,571 S \* 5/2019 Blight ..... D22/147  
D852,315 S \* 6/2019 Norsworthy ..... D22/142

**OTHER PUBLICATIONS**

Applicant, as of the date of this submission, is not aware of any prior art devices or documents which are believed material to the invention as claimed. This document is being supplied for informational purposes to the Examiner as of the submission date in accordance with the duty of disclosure. Supplemental statements will be provided as necessary.

\* cited by examiner

*Primary Examiner* — Catherine R Oliver-Garcia  
(74) *Attorney, Agent, or Firm* — Daniel A. Thomson;  
Emerson Thomson Bennett LLC

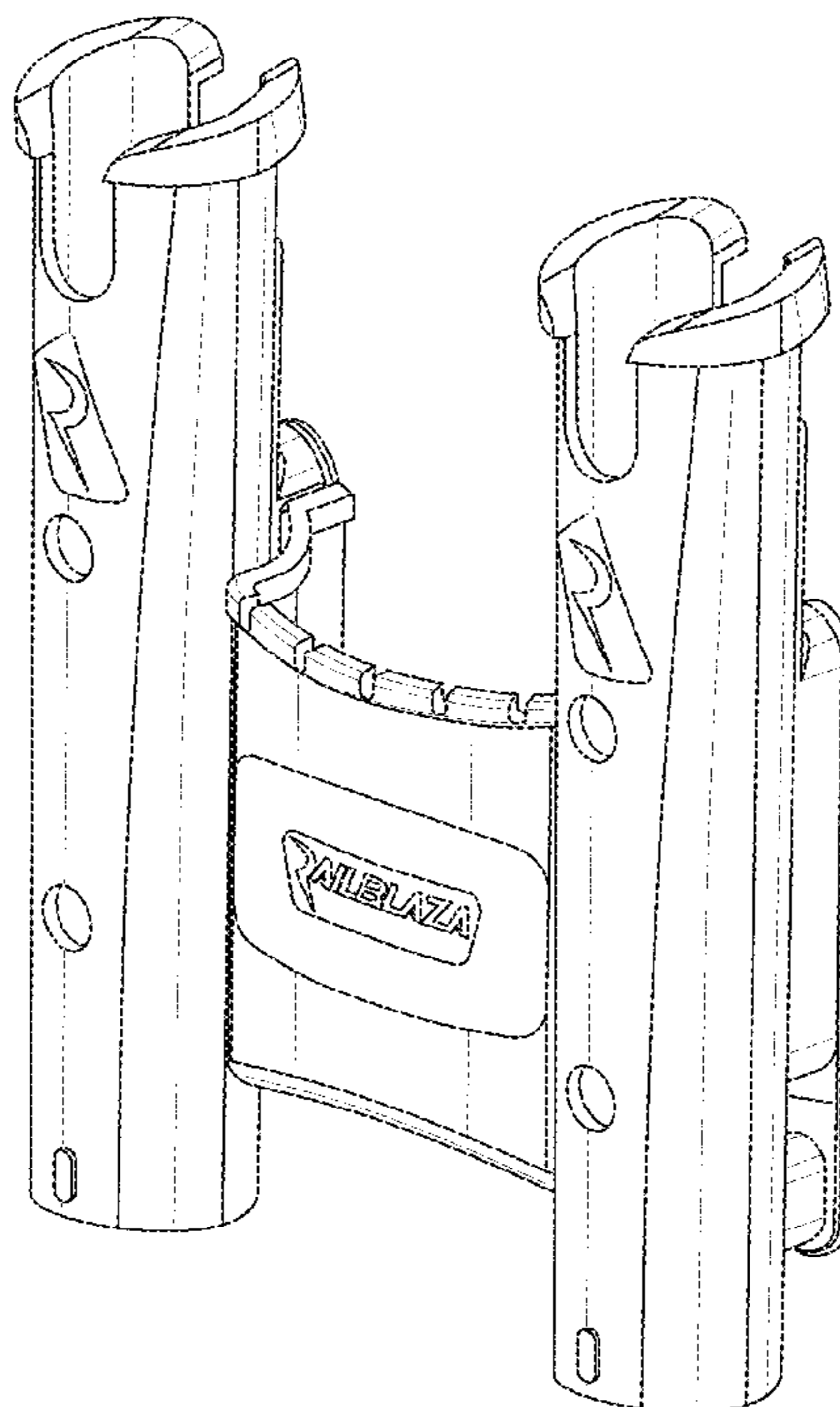
(57) **CLAIM**

The ornamental design for fishing rod holder, as shown and described.

**DESCRIPTION**

FIG. 1 is a front perspective view of the holder;  
FIG. 2 is a rear perspective view of the holder;  
FIG. 3 is a front view of the holder;  
FIG. 4 is a rear view of the holder;  
FIG. 5 is a right-side view of the holder;  
FIG. 6 is a left-side view of the holder;  
FIG. 7 is a top view of the holder; and,  
FIG. 8 is a bottom view of the holder.

**1 Claim, 8 Drawing Sheets**



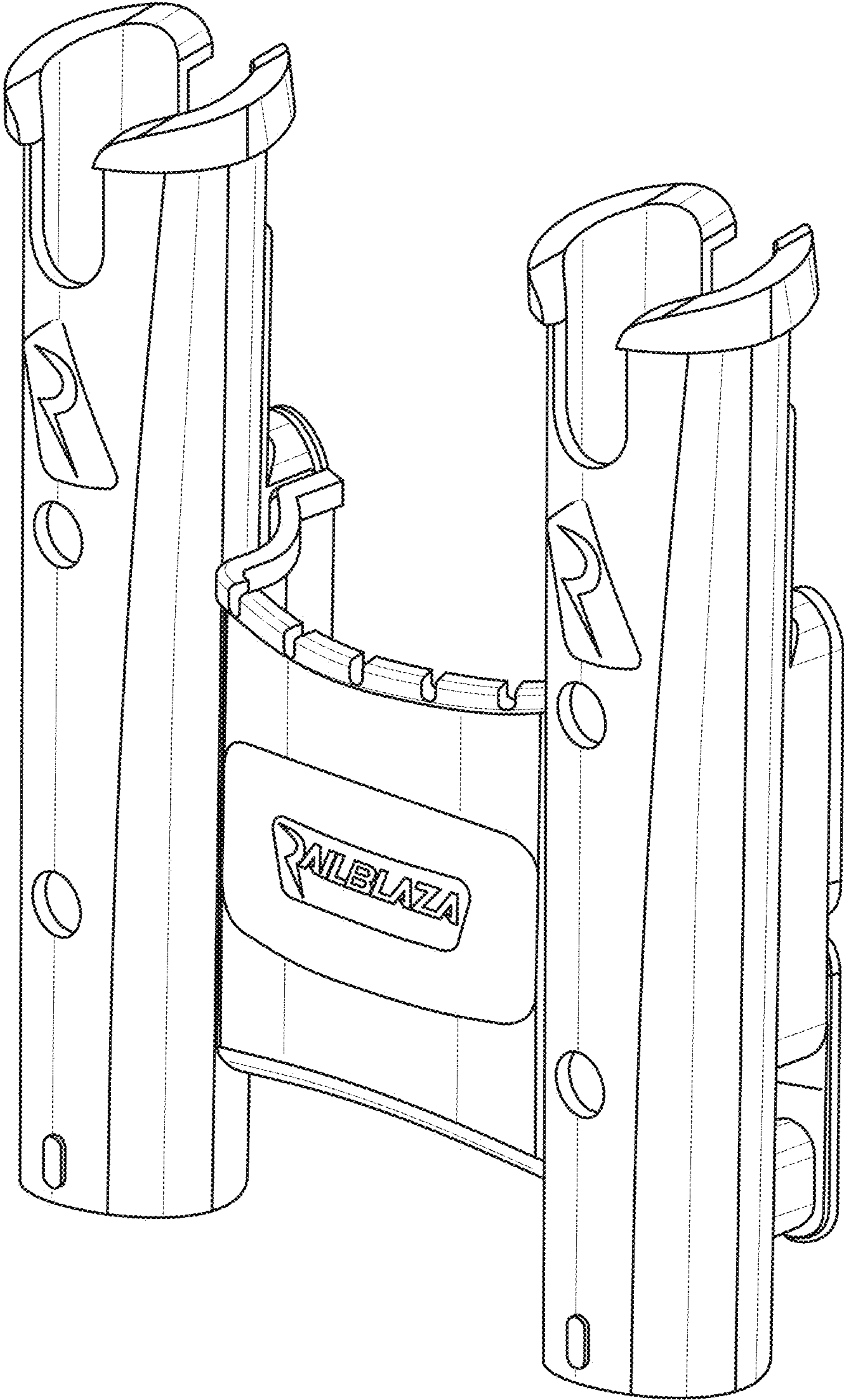


FIG. 1

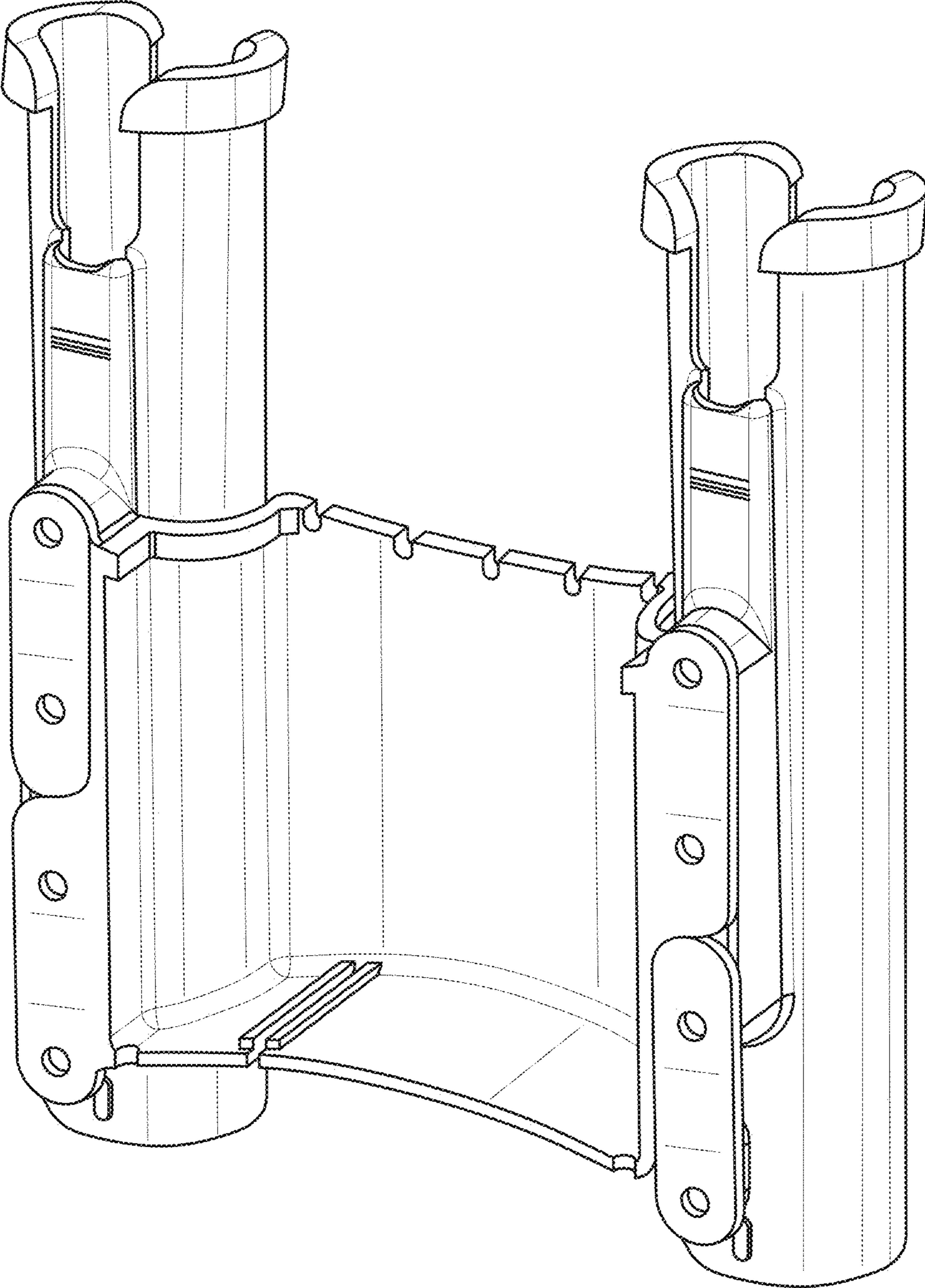


FIG. 2



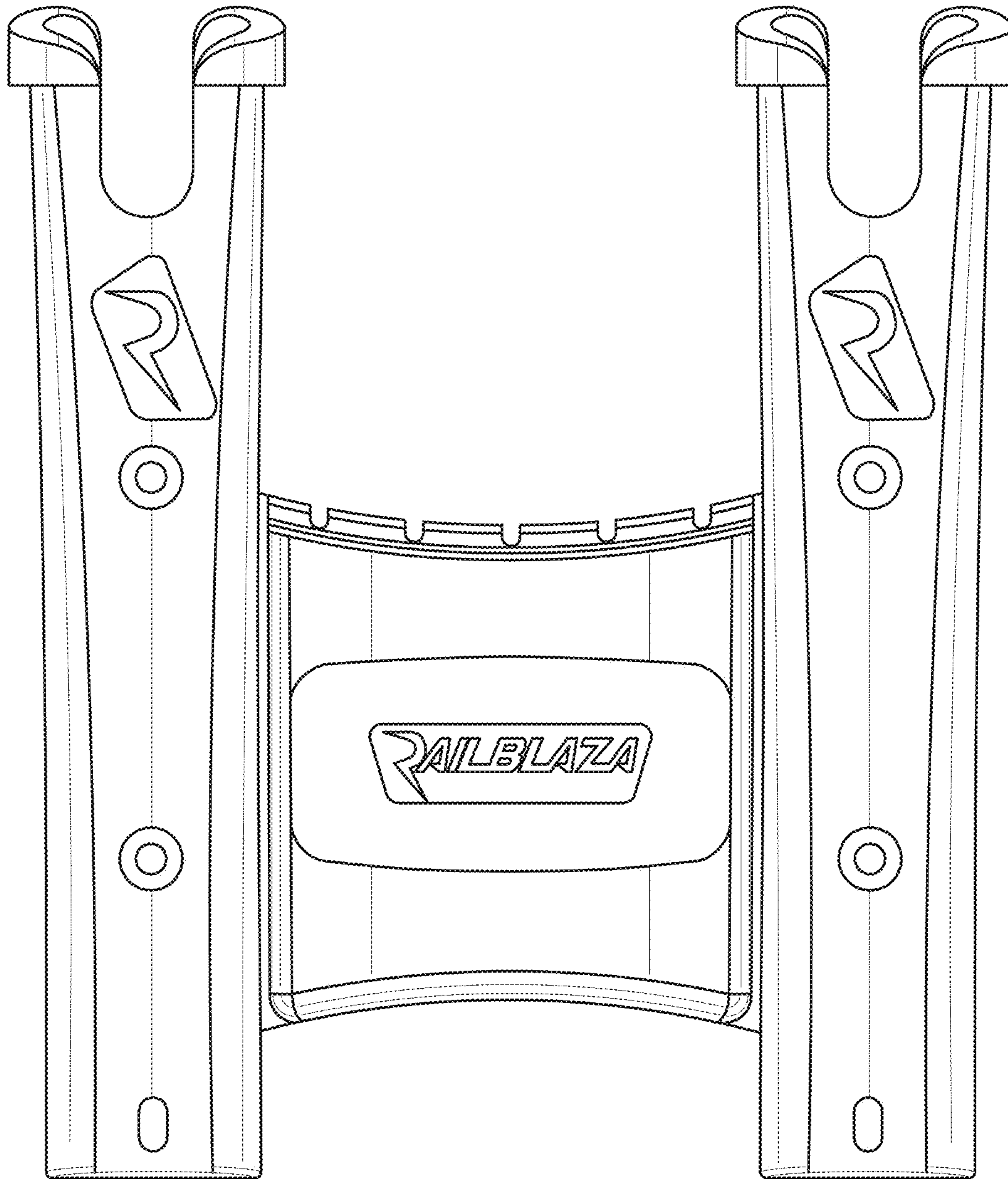
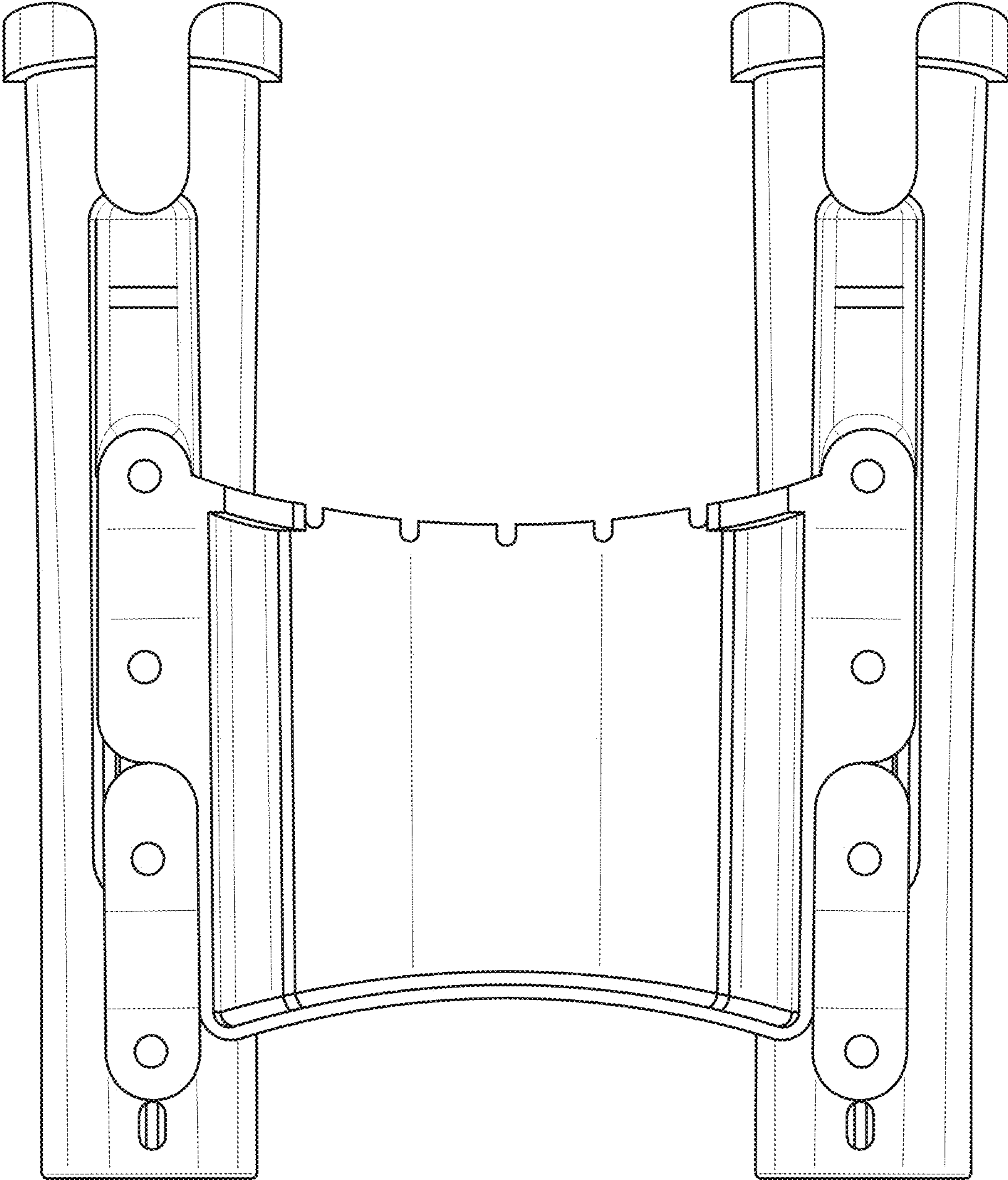
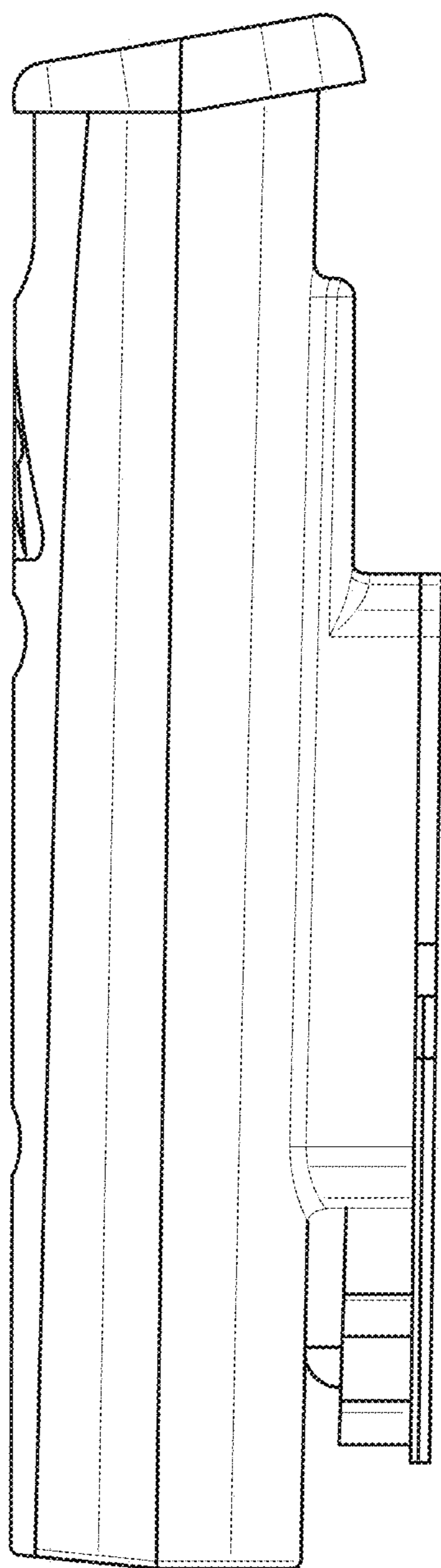


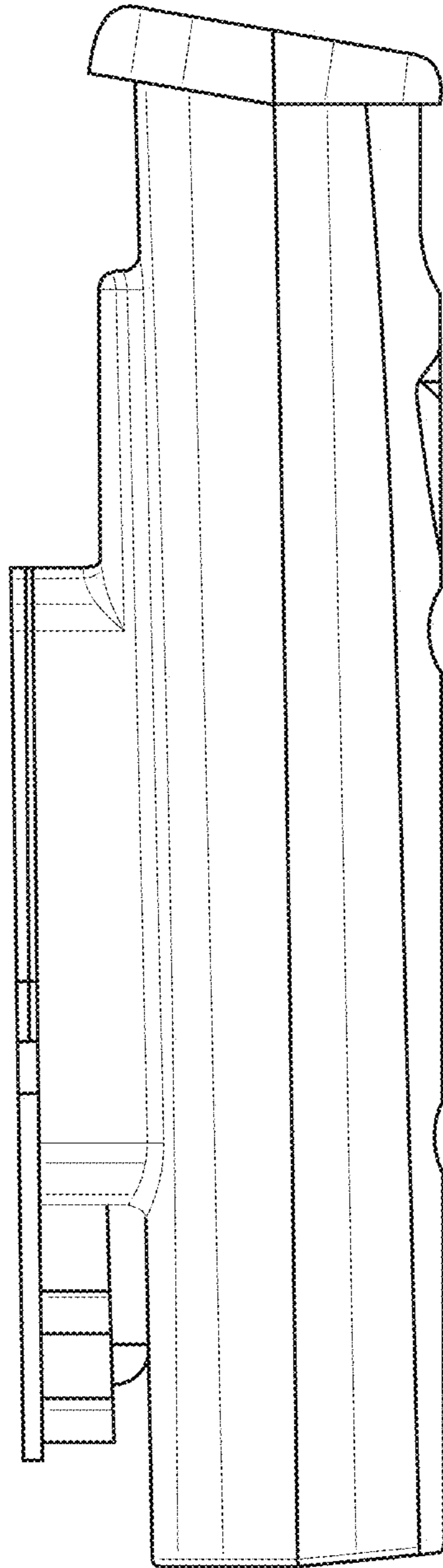
FIG. 3



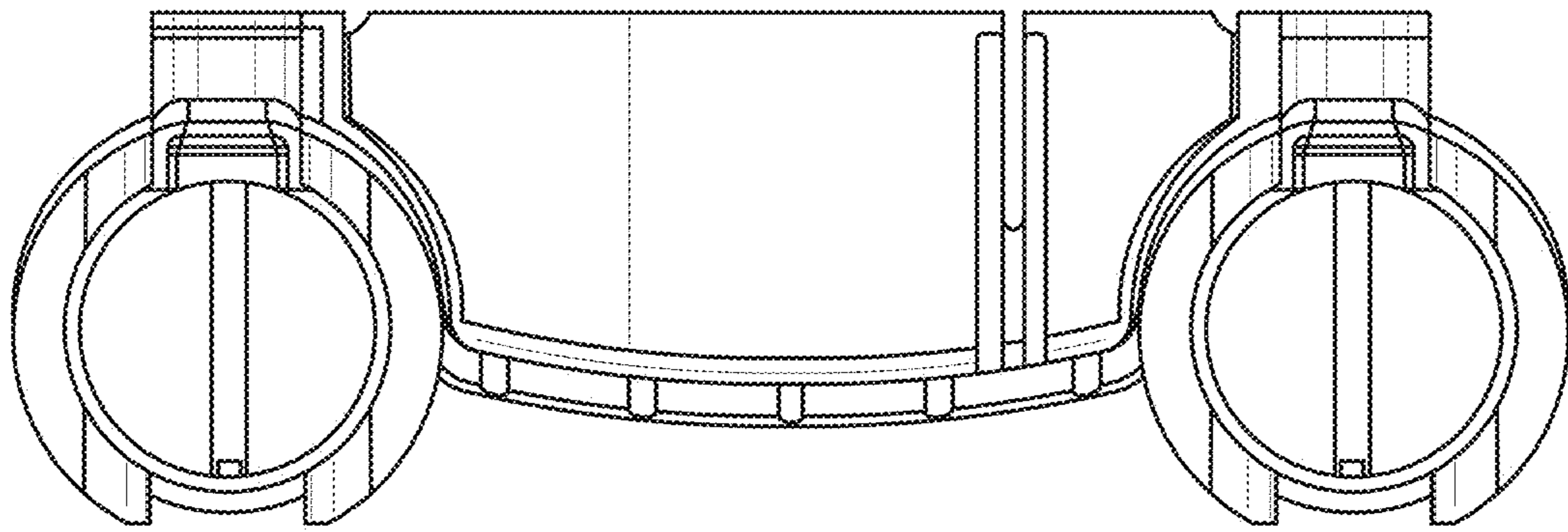
**FIG. 4**



**FIG. 5**

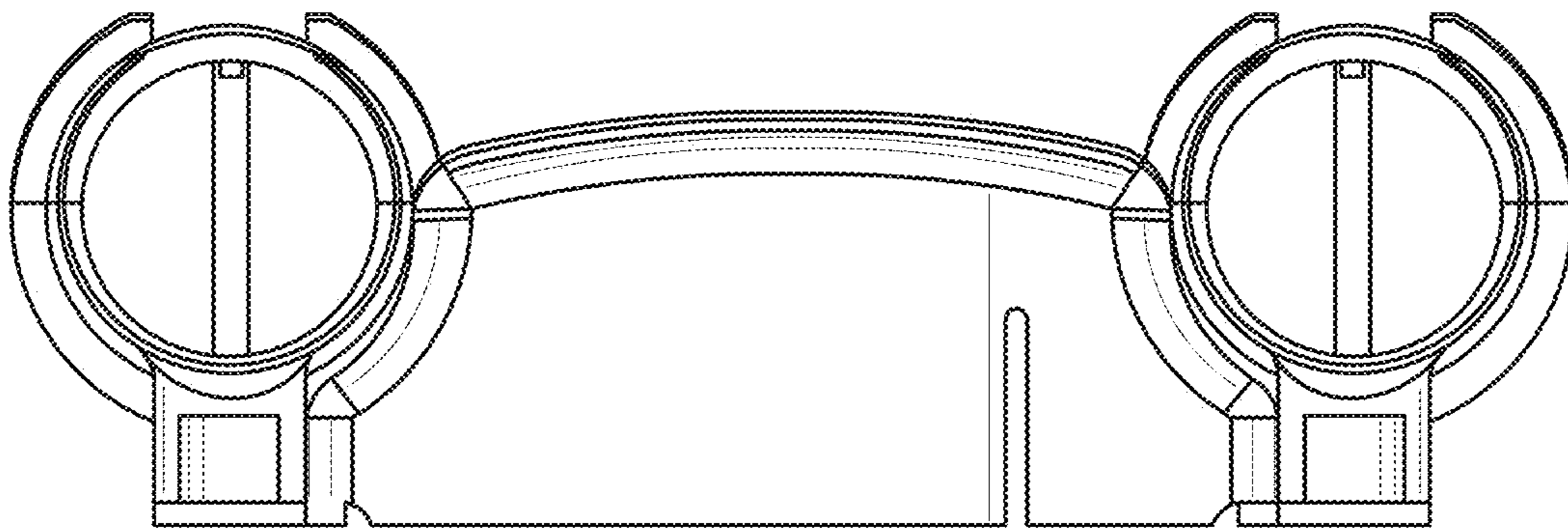


**FIG. 6**



**FIG. 7**





**FIG. 8**