



US00D917658S

(12) **United States Design Patent**
Turvey

(10) **Patent No.:** **US D917,658 S**

(45) **Date of Patent:** **** Apr. 27, 2021**

(54) **FISHING LURE ATTRACTOR BLADE**

(71) Applicant: **Christopher Turvey**, Yakima, WA (US)

(72) Inventor: **Christopher Turvey**, Yakima, WA (US)

(**) Term: **15 Years**

(21) Appl. No.: **29/725,911**

(22) Filed: **Feb. 27, 2020**

(51) **LOC (13) Cl.** **22-05**

(52) **U.S. Cl.**
USPC **D22/129**

(58) **Field of Classification Search**
USPC D22/129, 126; 43/17.1, 43.13, 43.12,
43/42.51, 42.39, 42.5, 42.06
CPC A01K 85/00; A01K 85/14; A01K 91/00;
A01K 91/06; A01K 91/065
See application file for complete search history.

(56) **References Cited**

U.S. PATENT DOCUMENTS

- 4,201,006 A * 5/1980 Wetherald A01K 85/00
43/42.06
- D399,293 S * 10/1998 Cordingley D22/129
- 6,279,260 B1 * 8/2001 Farr A01K 91/06
43/42.5

- D451,574 S * 12/2001 Hobson D22/129
- D453,811 S * 2/2002 Hobson D22/129
- D516,663 S * 3/2006 Pool D22/129
- D678,460 S * 3/2013 Pool D22/129
- D746,939 S * 1/2016 Thomson D22/129
- 2005/0252069 A1 * 11/2005 Pool A01K 91/065
43/17.1

* cited by examiner

Primary Examiner — Catherine R Oliver-Garcia

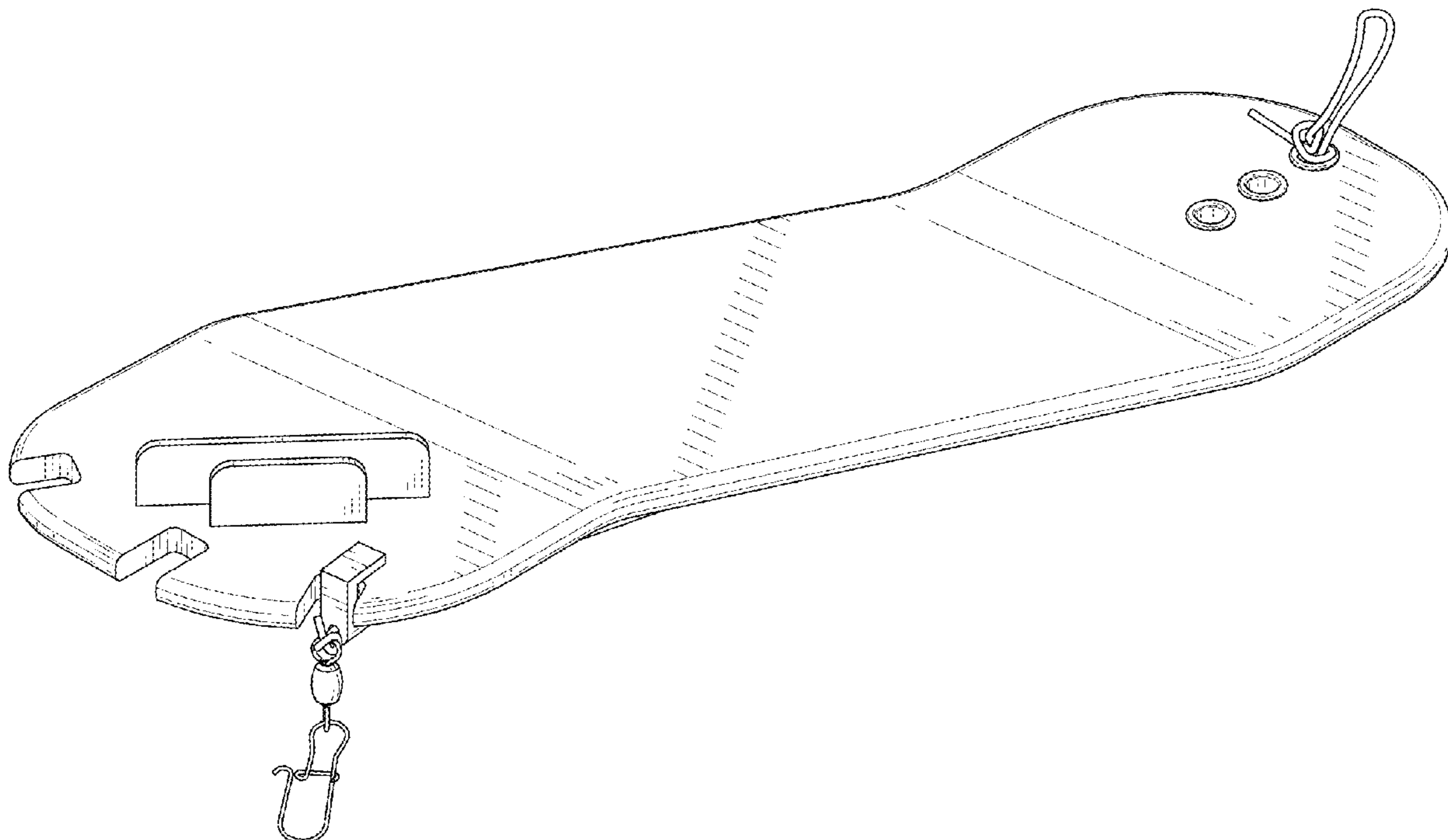
(57) **CLAIM**

I claim the ornamental design for a fishing lure attractor blade, as shown and described.

DESCRIPTION

FIG. 1 is a top perspective view of a fishing lure attractor blade.
 FIG. 2 is a bottom perspective view thereof.
 FIG. 3 is a top plan view thereof.
 FIG. 4 is a bottom plan view thereof.
 FIG. 5 is a left-side elevation view thereof.
 FIG. 6 is a right-side elevation view thereof.
 FIG. 7 is a back-side elevation view thereof; and,
 FIG. 8 is a front-side elevation view thereof.
 Any parallel series of broken lines in the drawings illustrate portions of the fishing lure attractor blade that form no part of the claimed design.

1 Claim, 8 Drawing Sheets



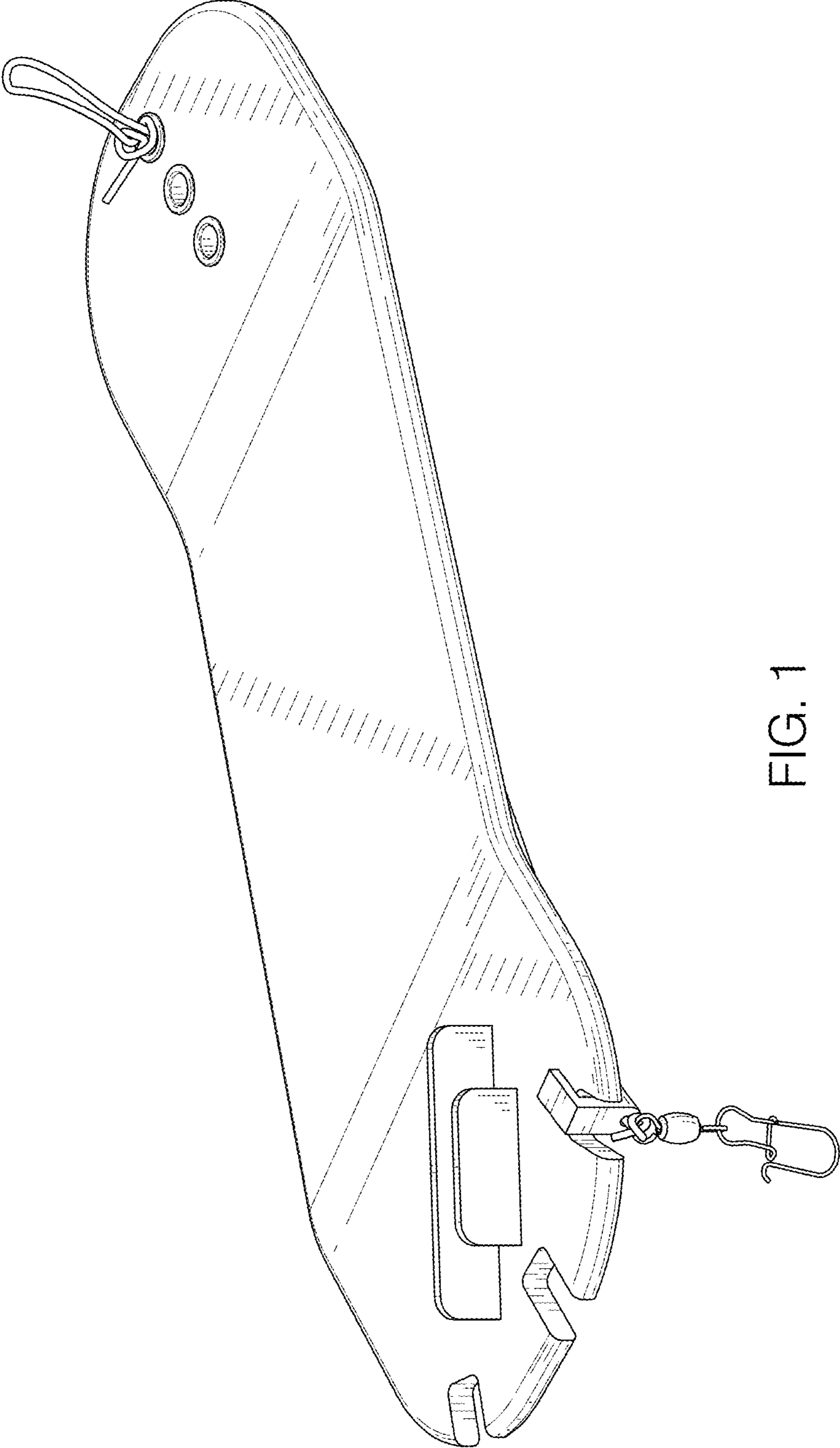


FIG. 1

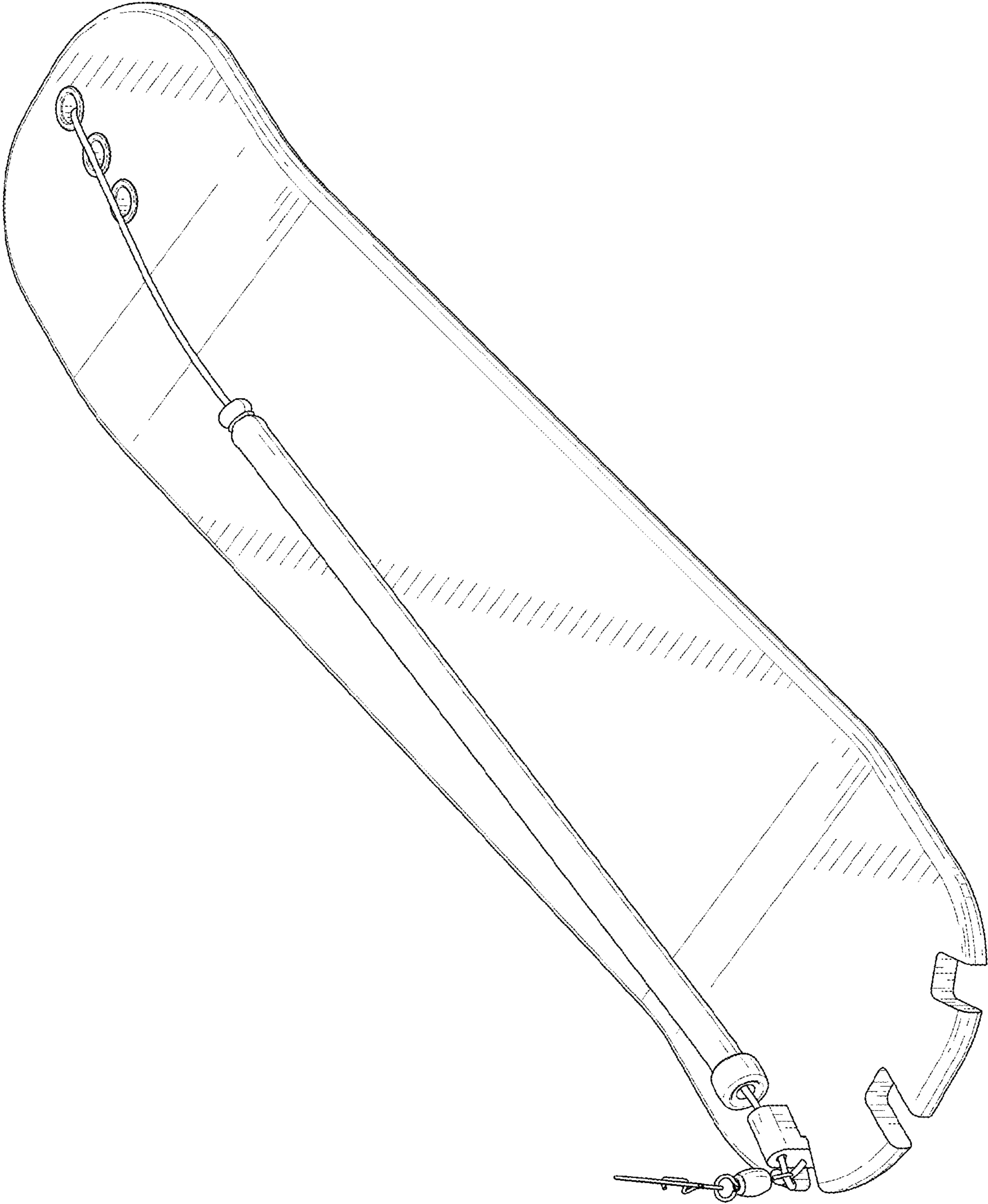


FIG. 2

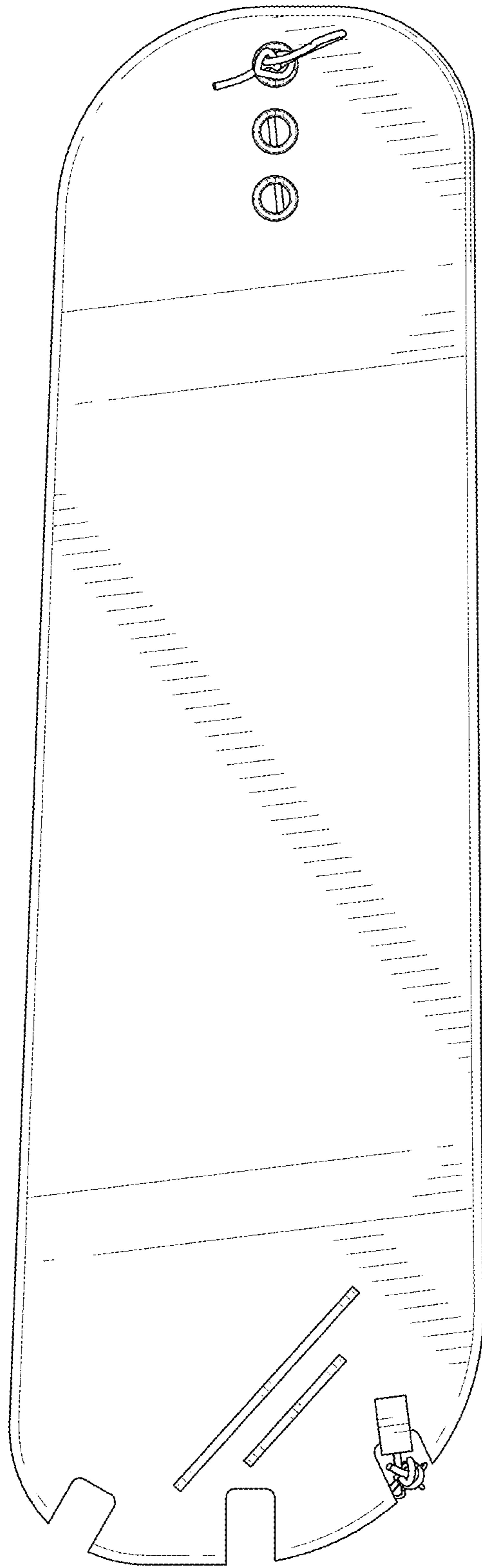


FIG. 3

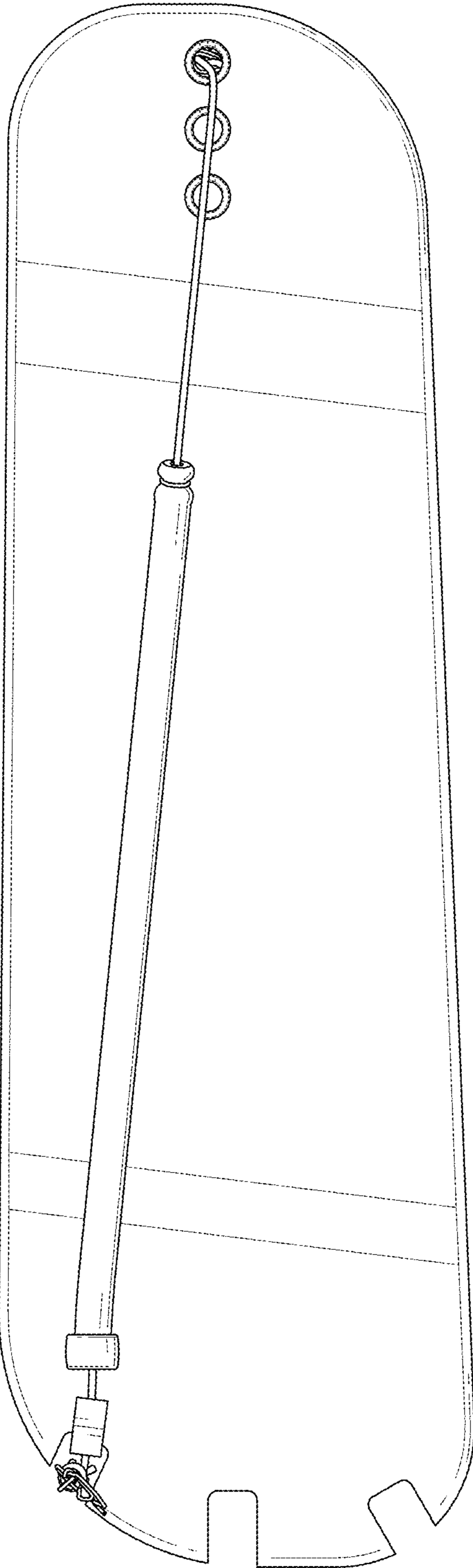


FIG. 4

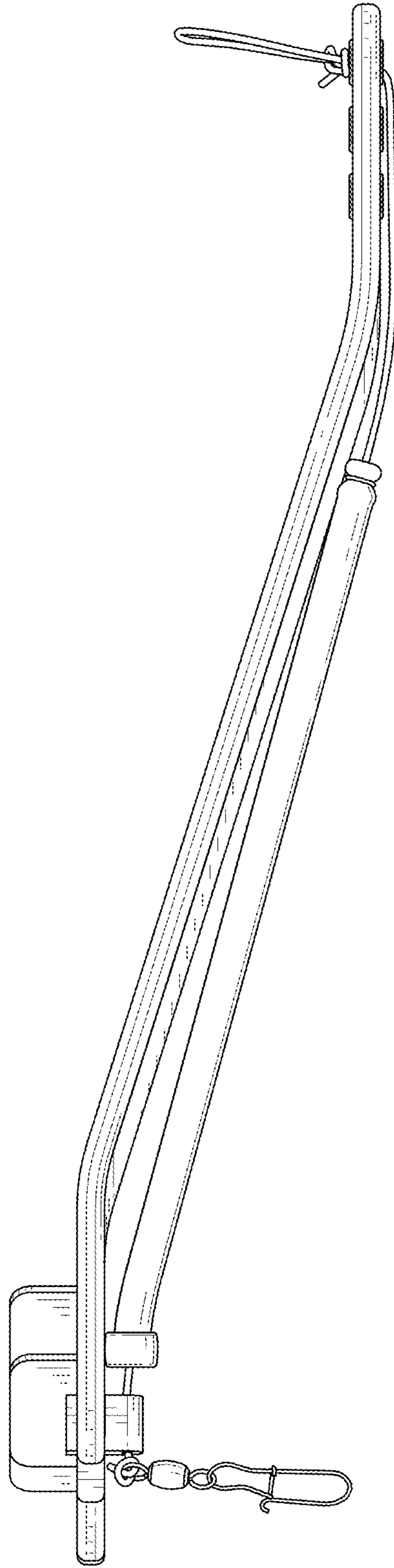


FIG. 5

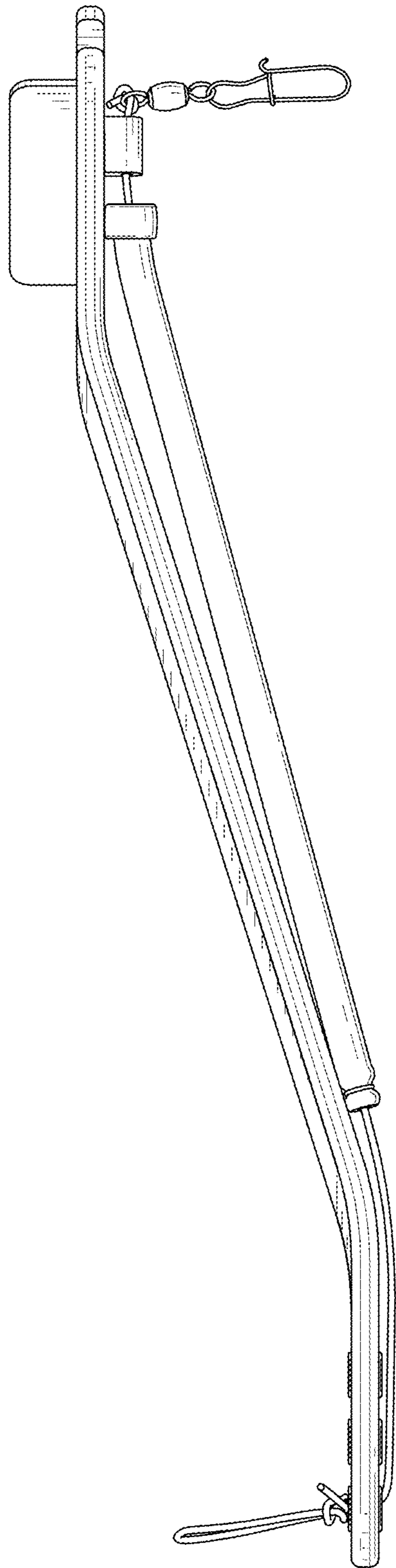


FIG. 6

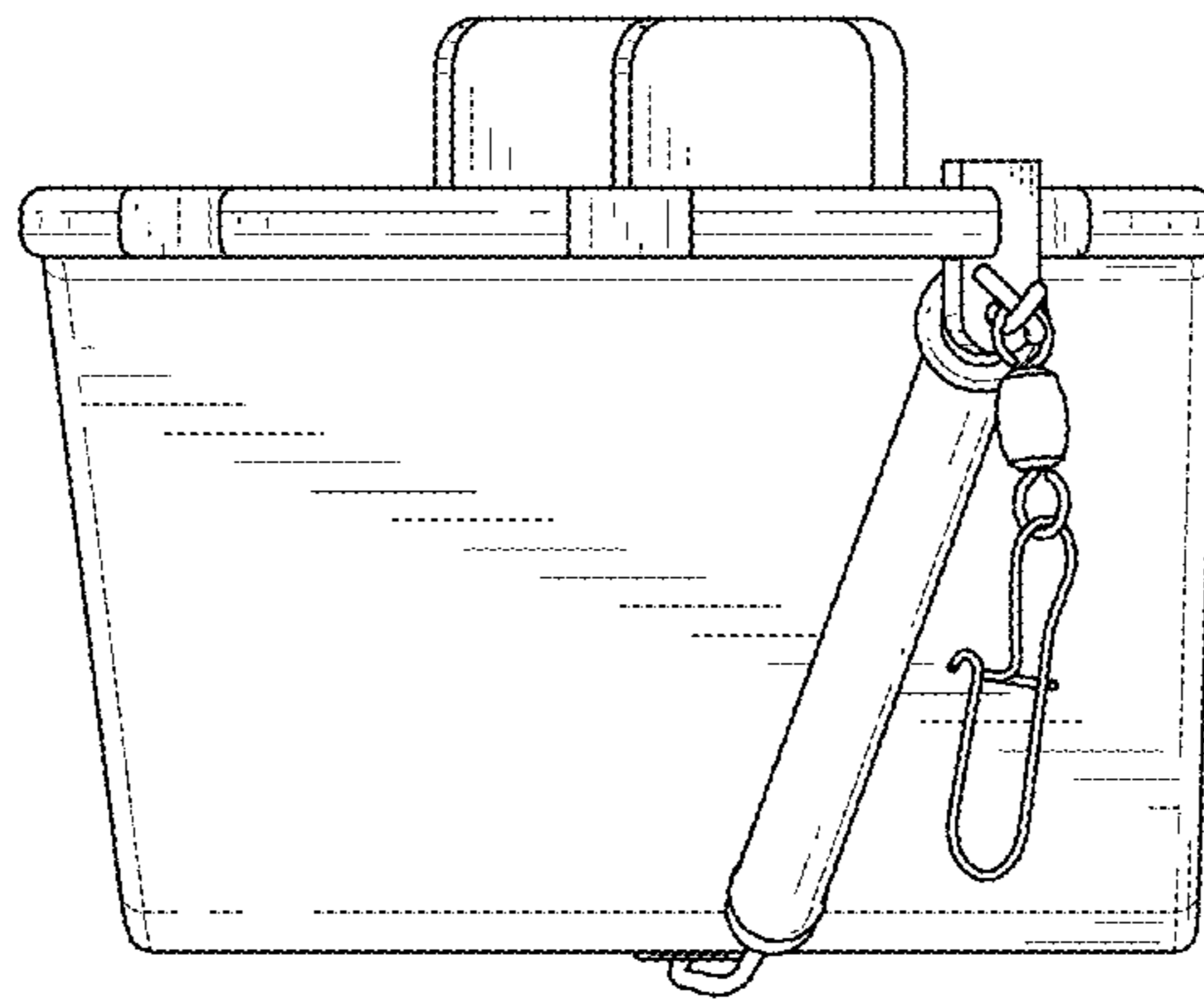


FIG. 7

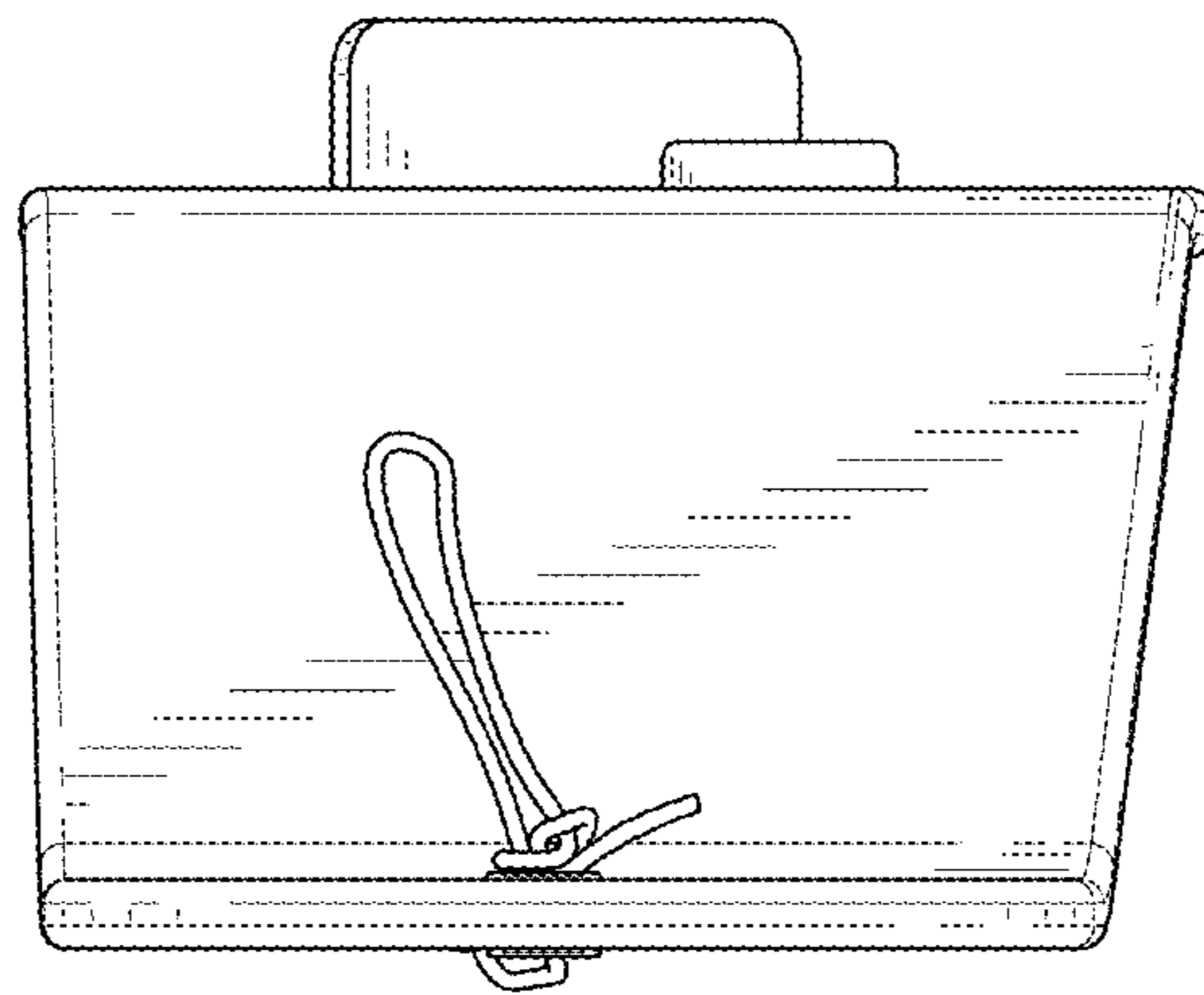


FIG. 8