



US00D917656S

(12) **United States Design Patent** (10) **Patent No.:** **US D917,656 S**
Zheng et al. (45) **Date of Patent:** **** Apr. 27, 2021**

(54) **MOSQUITO KILLER LAMP**

OTHER PUBLICATIONS

(71) Applicant: **NINGBO DAYANG TECHNOLOGY CO., LTD.**, Ningbo (CN)

EHM Bug Zapper Electric Mosquito Lamp, 2-in-1 LED Camping Lantern Rechargeable, Indoor&Outdoor Waterproof UV Insect Fly Zapper, Safe Bug Zapper . . . https://www.amazon.com/Eocol-Mosquito-Catcher-Repeller-Outdoor/dp/B07GDQL1BY/ref=cm_cr_ar_p_d_product_top?ie=UTF8 (earliest review Aug. 29, 2018) (Year: 2018).*

(72) Inventors: **Jun Zheng**, Ningbo (CN); **Yuanai Ning**, Ningbo (CN)

(**) Term: **15 Years**

* cited by examiner

(21) Appl. No.: **29/720,656**

Primary Examiner — Catherine R Oliver-Garcia

(22) Filed: **Jan. 15, 2020**

(74) *Attorney, Agent, or Firm* — W&K IP

(51) **LOC (13) Cl.** **22-06**

(52) **U.S. Cl.**
USPC **D22/123**

(57) **CLAIM**

(58) **Field of Classification Search**
USPC D22/123, 122, 120; 43/65–66, 112–114,
43/120–121, 131, 132.1

The ornamental design for a mosquito killer lamp, as shown and described.

CPC A01M 1/02; A01M 1/04; A01M 1/08;
A01M 1/106; A01M 1/223; A01M
2200/012

DESCRIPTION

See application file for complete search history.

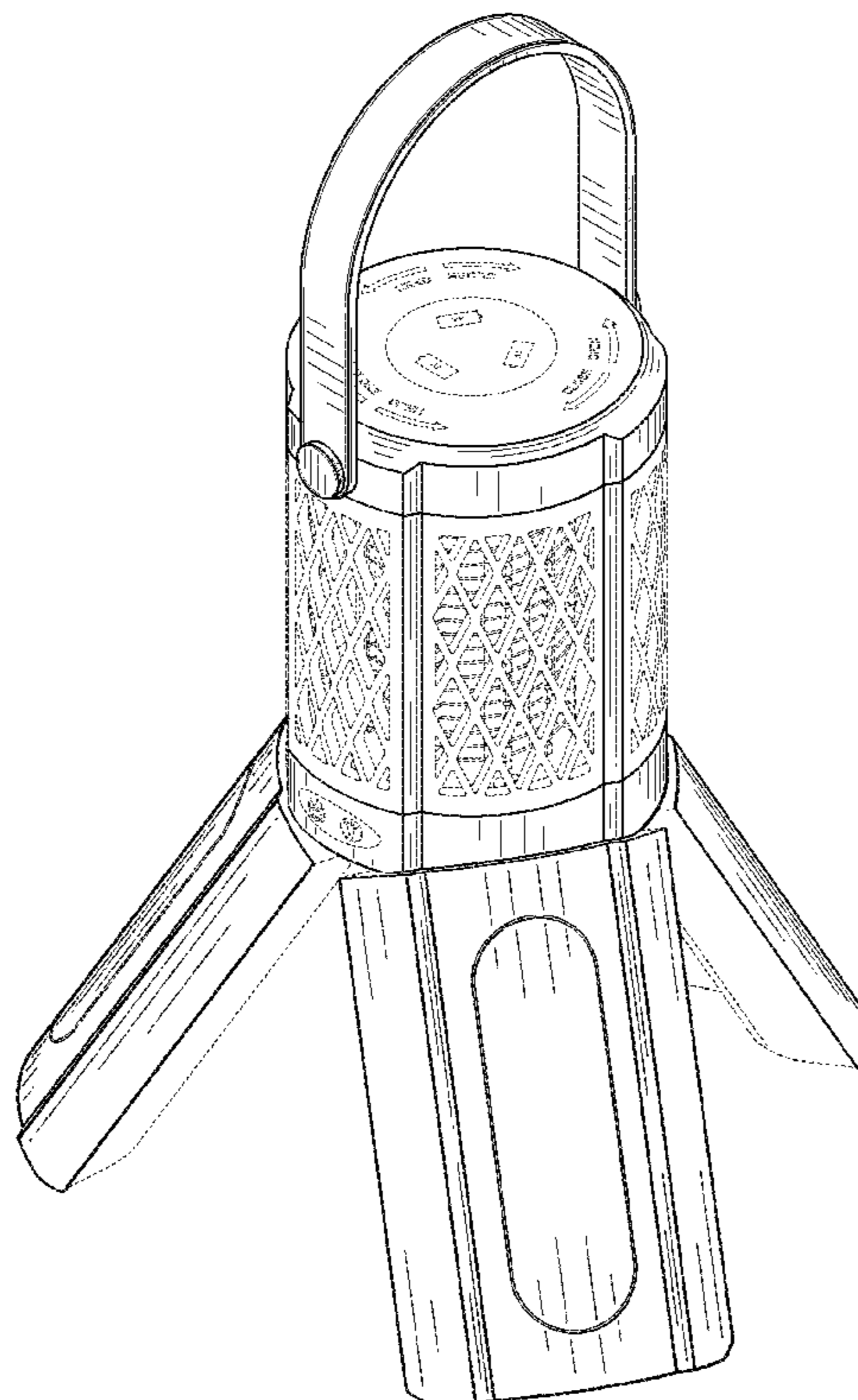
FIG. 1 is a perspective view of a mosquito killer lamp, showing my new design;
FIG. 2 is a front elevational view thereof;
FIG. 3 is a rear elevational view thereof;
FIG. 4 is a top plan view thereof;
FIG. 5 is a bottom plan view thereof;
FIG. 6 is a left elevational view thereof;
FIG. 7 is a right elevational view thereof; and,
FIG. 8 is a perspective view thereof in a position of use.
The evenly broken lines where present illustrate portions of the mosquito killer lamp that form no part of the claimed design.

(56) **References Cited**

U.S. PATENT DOCUMENTS

D212,222	S	*	9/1968	Miller	D22/123
3,473,251	A	*	10/1969	Kahn	A01M 1/04 43/112
4,454,677	A	*	6/1984	Chuang	A01M 1/04 43/112
D294,283	S	*	2/1988	Yuen	D22/123
D898,864	S	*	10/2020	Qiu	D22/123
D900,957	S	*	11/2020	Du	D22/123

1 Claim, 8 Drawing Sheets



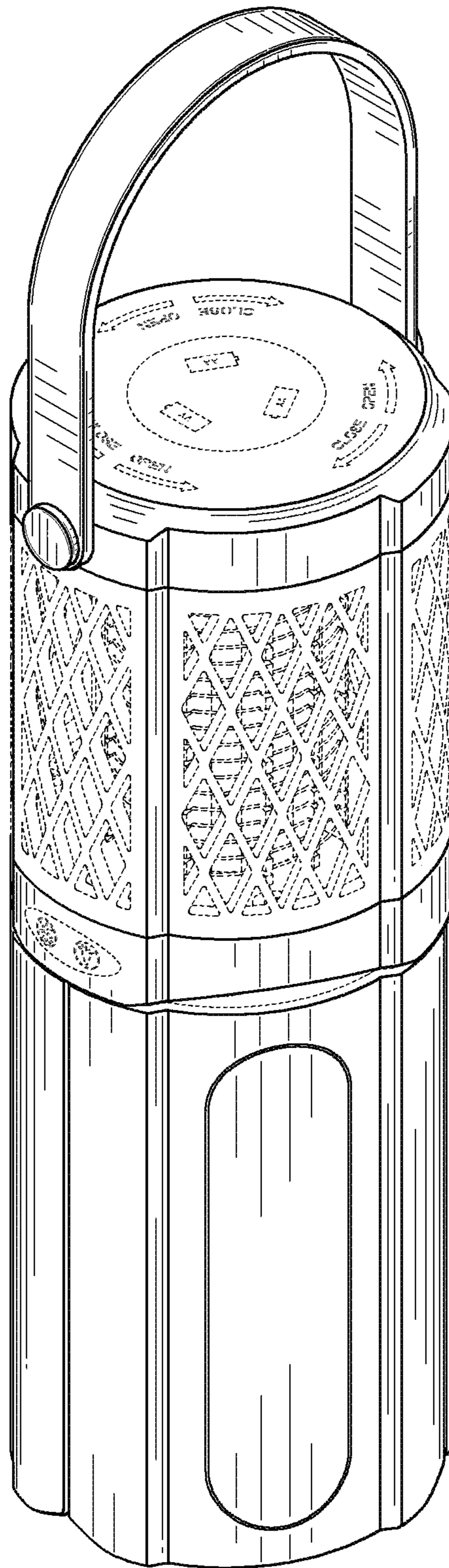


FIG. 1

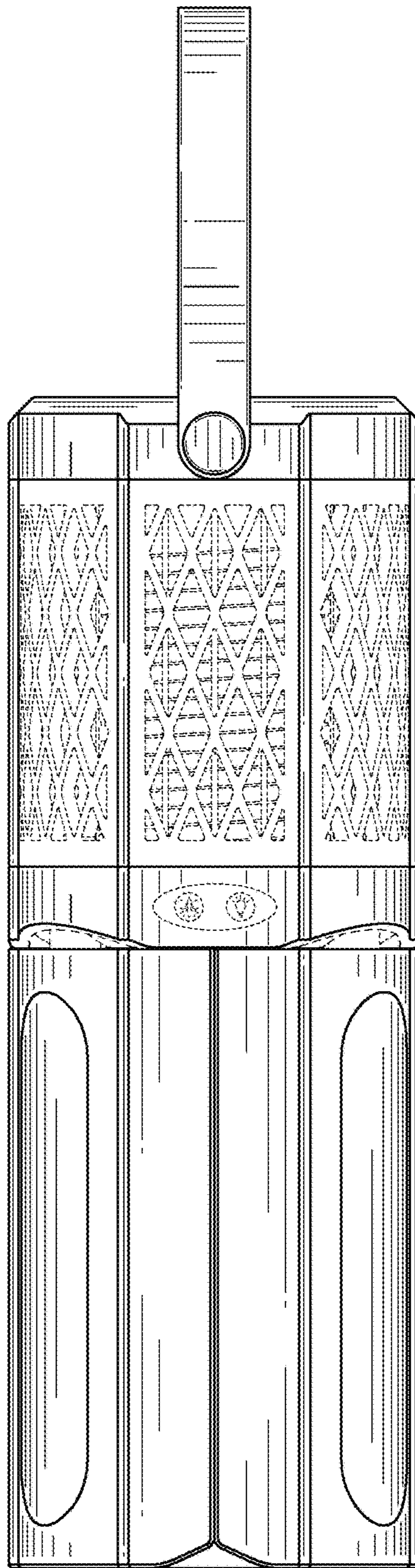


FIG. 2

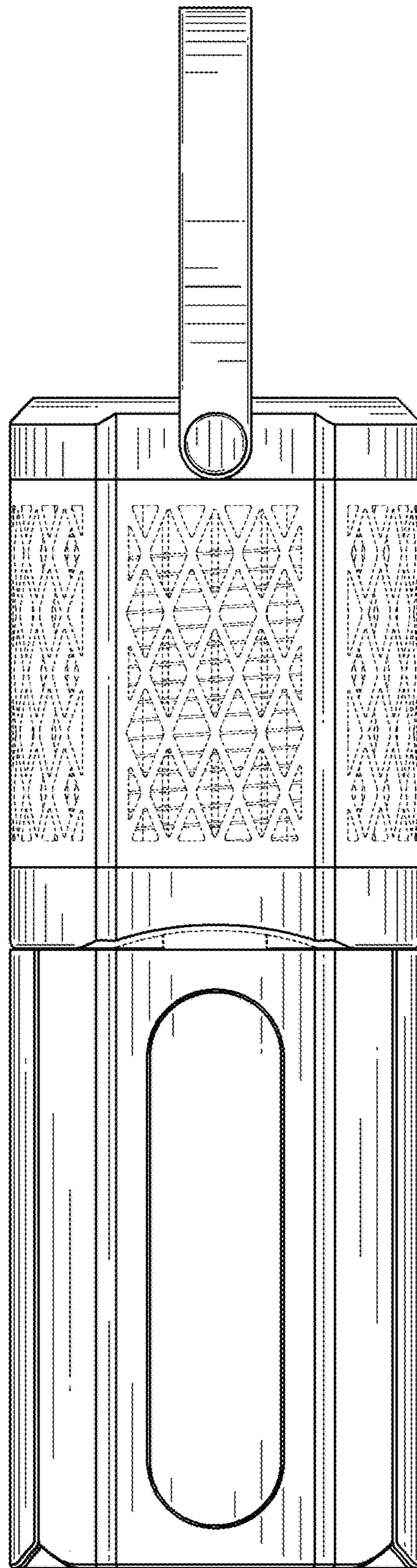


FIG. 3

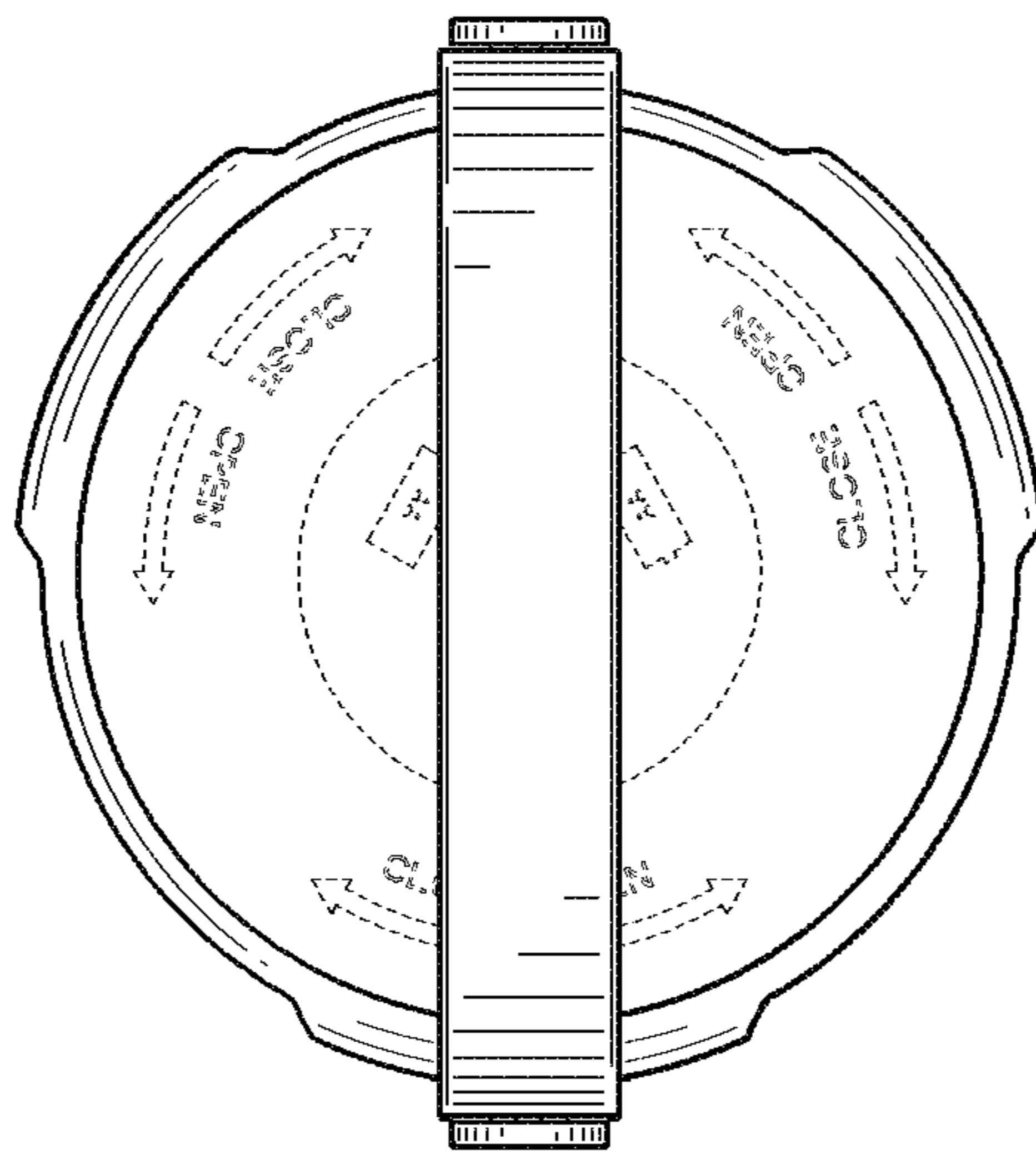


FIG. 4

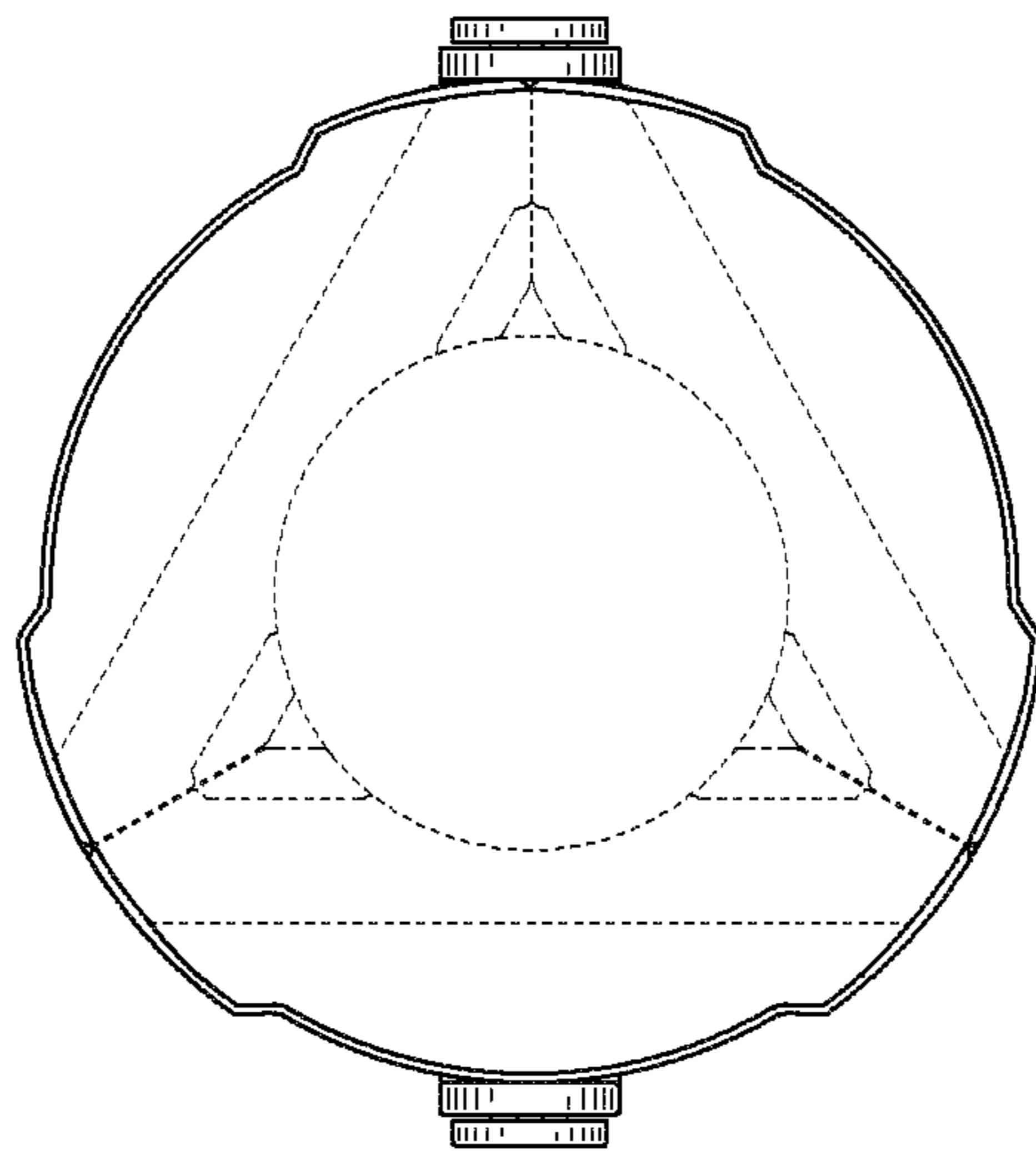


FIG. 5

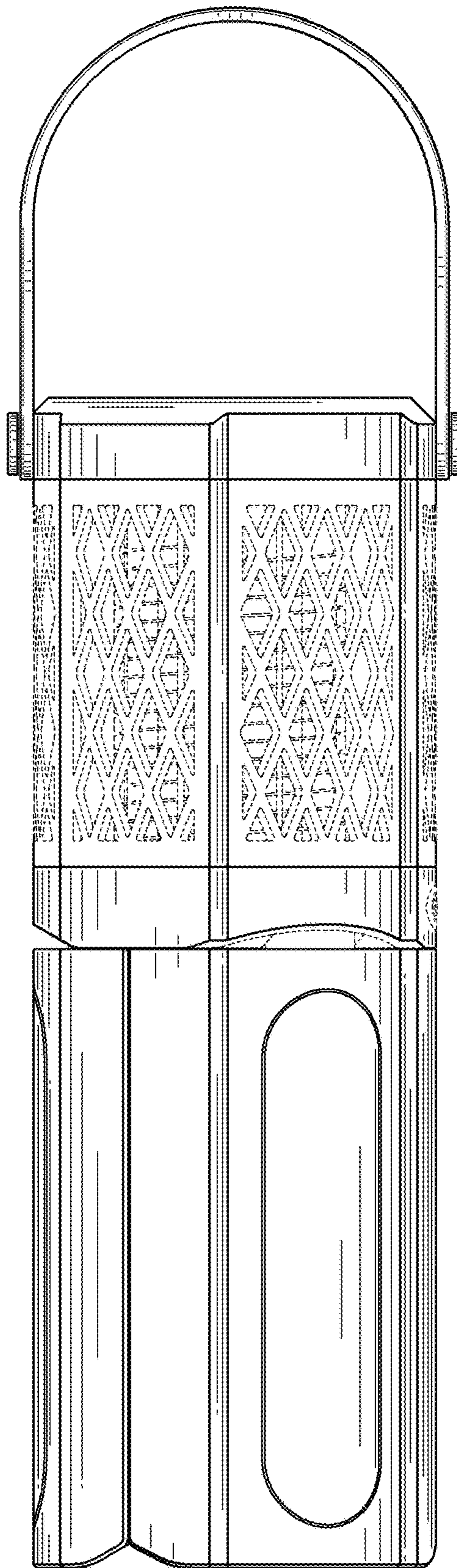


FIG. 6

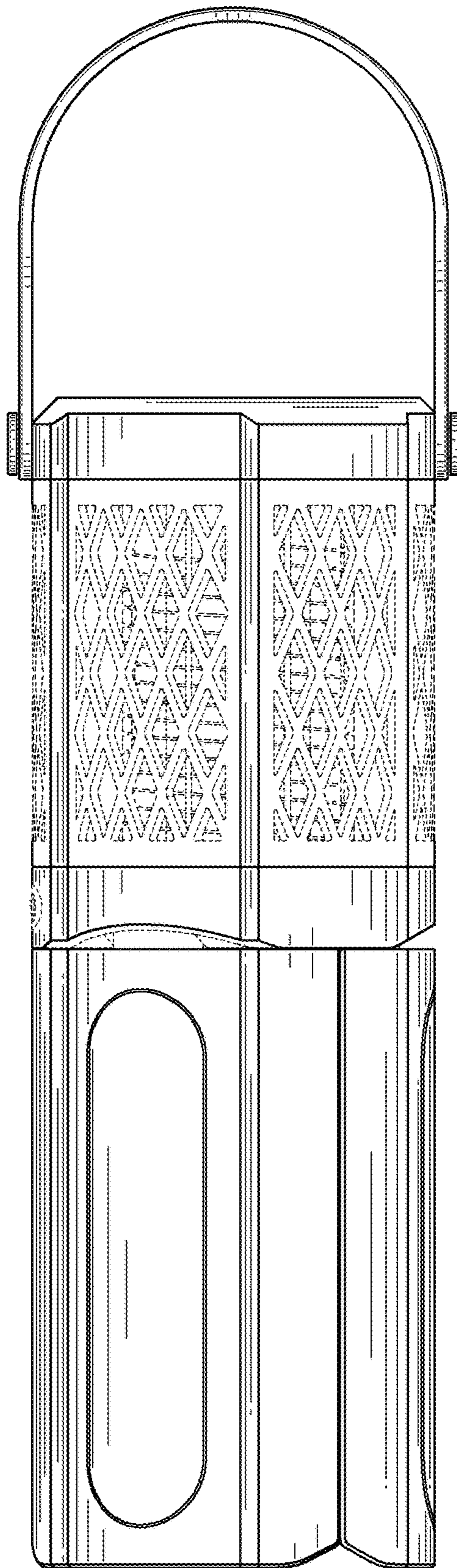


FIG. 7

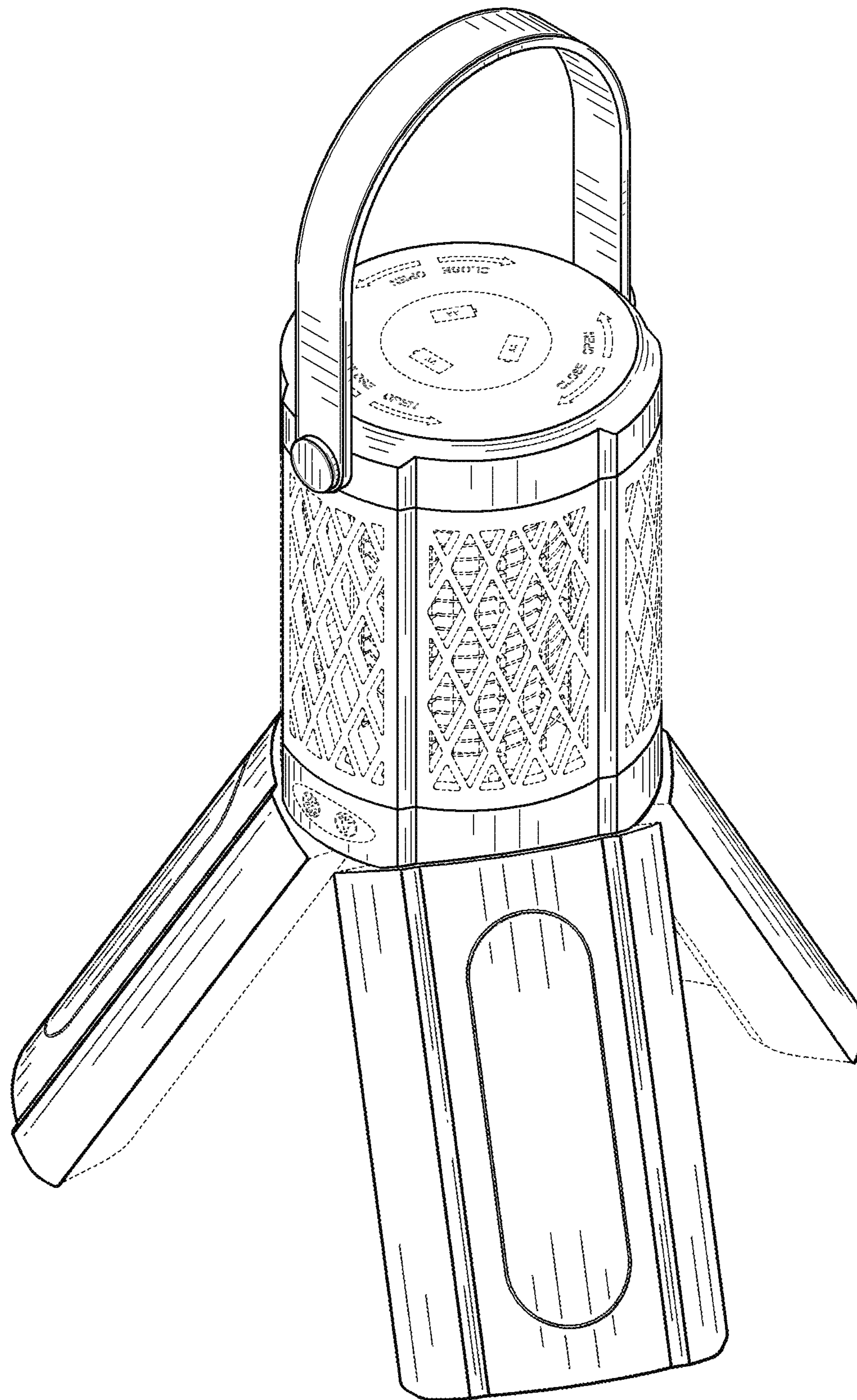


FIG. 8