



US00D917655S

(12) **United States Design Patent** (10) **Patent No.:** **US D917,655 S**
Luo (45) **Date of Patent:** **** Apr. 27, 2021**

(54) **MOSQUITO LAMP**

(71) Applicant: **Tao Luo**, Hunan (CN)

(72) Inventor: **Tao Luo**, Hunan (CN)

(**) Term: **15 Years**

(21) Appl. No.: **29/717,965**

(22) Filed: **Dec. 20, 2019**

(51) **LOC (13) Cl.** **22-06**

(52) **U.S. Cl.**
USPC **D22/123**

(58) **Field of Classification Search**
USPC D22/123, 120, 122; 43/107, 112-113,
43/123, 121, 131, 132.1, 139
CPC A01M 1/04; A01M 1/08; A01M 1/223;
A01M 2200/012
See application file for complete search history.

(56) **References Cited**

U.S. PATENT DOCUMENTS

D212,222 S *	9/1968	Miller	D22/123
3,473,251 A *	10/1969	Kahn	A01M 1/04
				43/112
4,454,677 A *	6/1984	Chuang	A01M 1/04
				43/112
D294,283 S *	2/1988	Yuen	D22/123
D898,864 S *	10/2020	Qiu	D22/123
D900,957 S *	11/2020	Du	D22/123

OTHER PUBLICATIONS

AMUFER Bug Zapper, Electronic Fly & Mosquito Killer Trap and Fly Zapper Insect Killer Catcher Lamp Fly Killer Safety for Residential Commercial Industrial Home Office (13W), <https://www.amazon.com/AMUFER-Electronic-Residential-Commercial-Industrial/dp/B088CR9FJW>, earliest review Jul. 24, 2020 (Year: 2020).*

* cited by examiner

Primary Examiner — Catherine R Oliver-Garcia

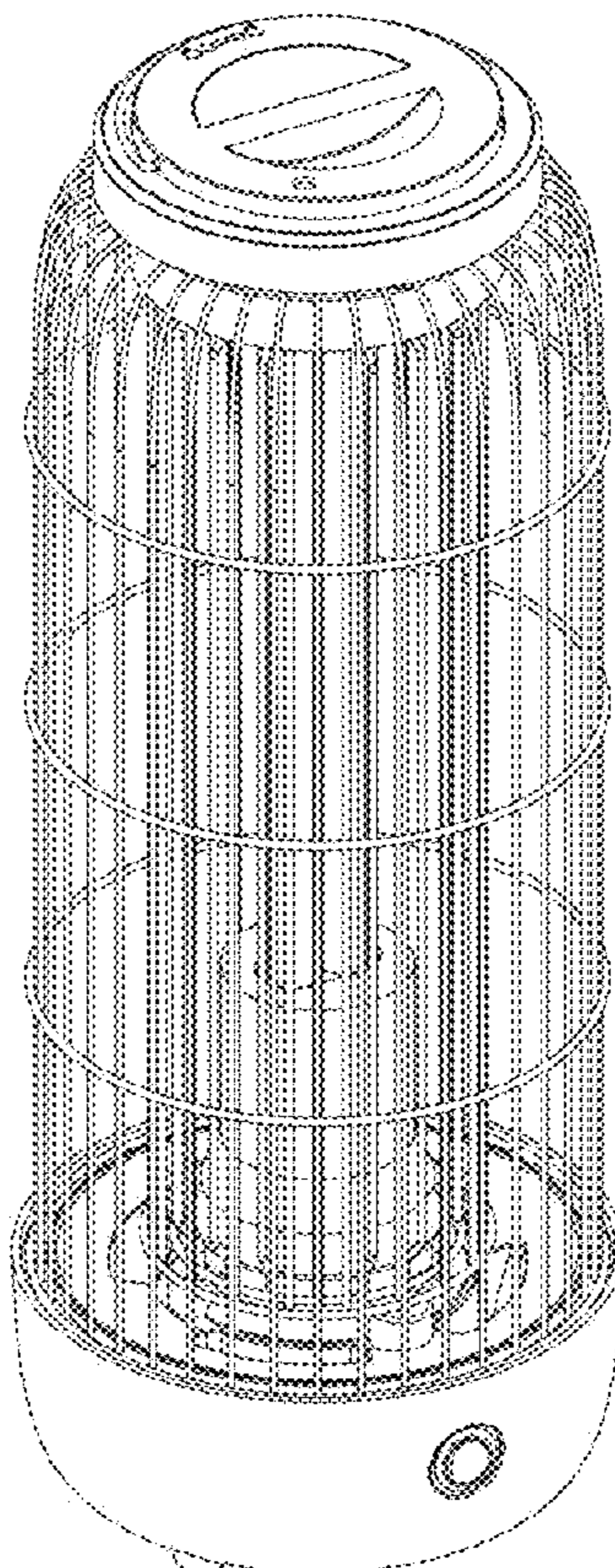
(57) **CLAIM**

I claim the ornamental design for a mosquito lamp, as shown and described.

DESCRIPTION

FIG. 1 is a front elevational view of a mosquito lamp showing my new design;
FIG. 2 is a rear elevational view thereof;
FIG. 3 is a left side elevational view thereof;
FIG. 4 is a right side elevational view thereof;
FIG. 5 is a top plan view thereof;
FIG. 6 is a bottom plan view thereof;
FIG. 7 is a perspective view thereof; and,
FIG. 8 is an exploded perspective view thereof.

1 Claim, 8 Drawing Sheets



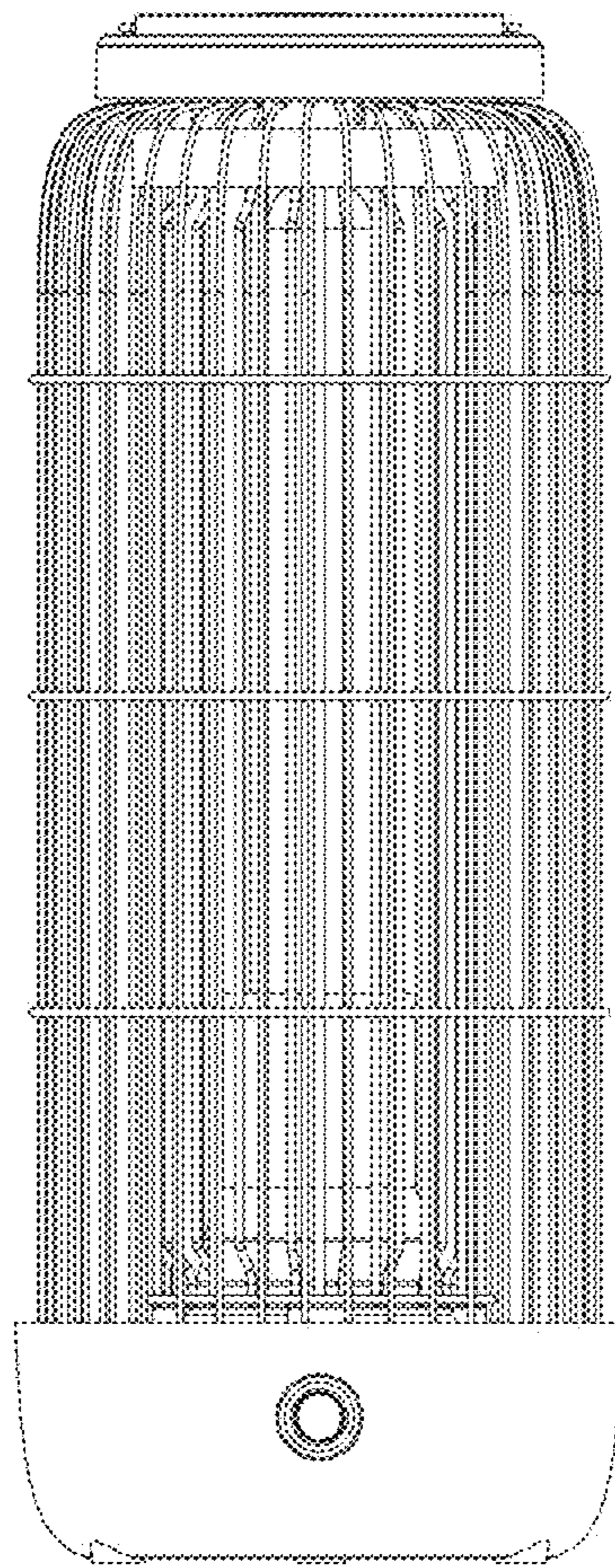


FIG.1

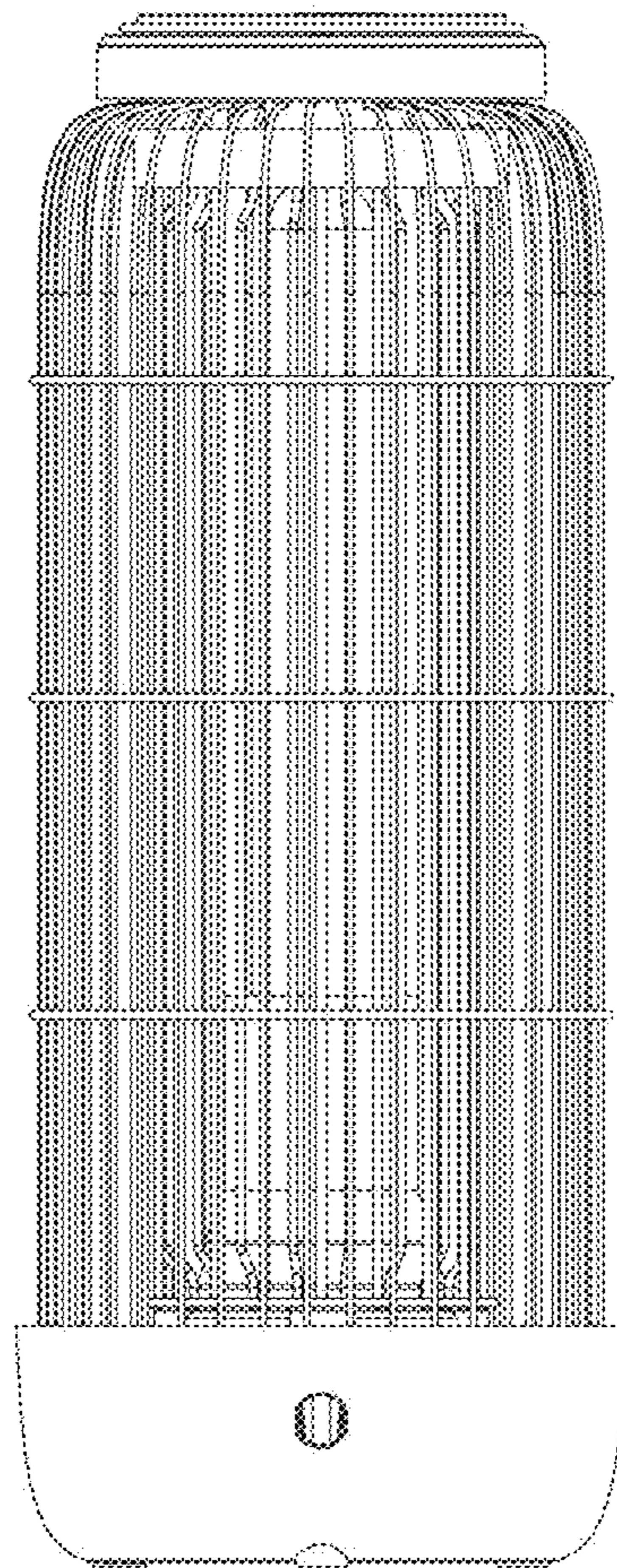


FIG.2

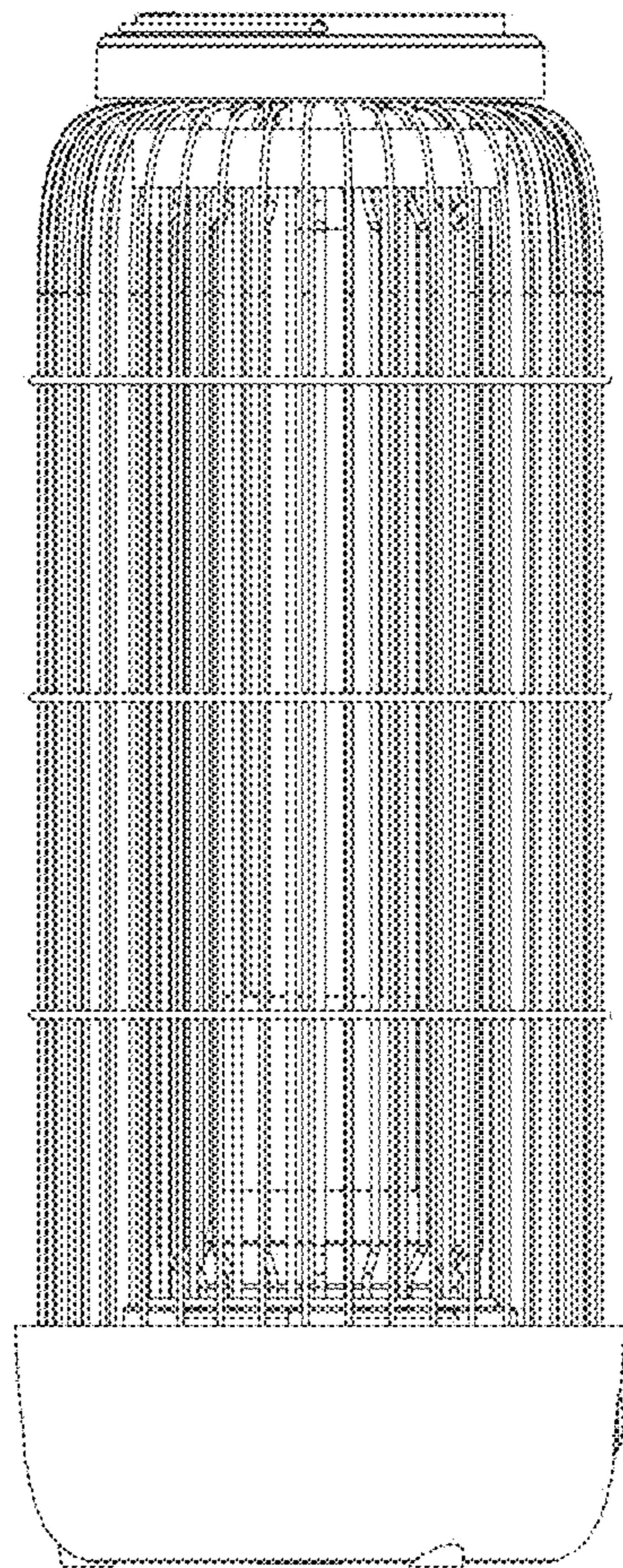


FIG.3

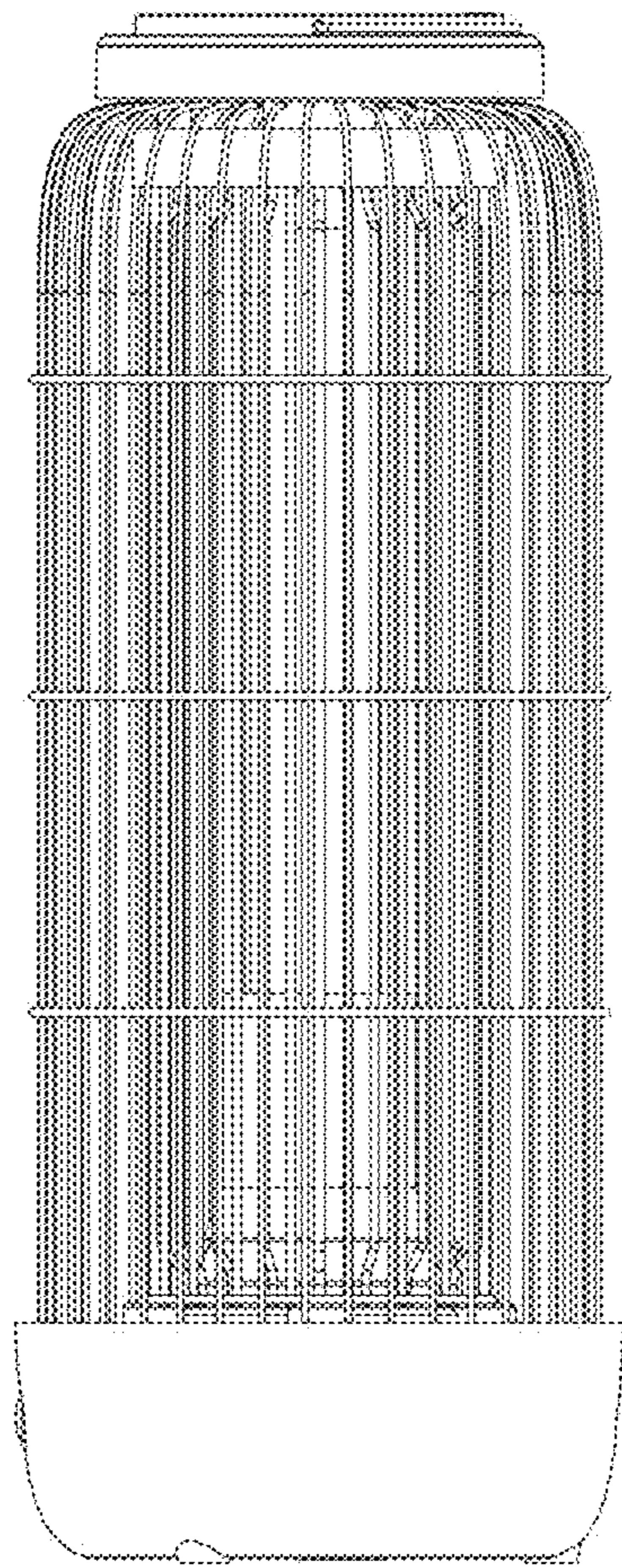


FIG.4

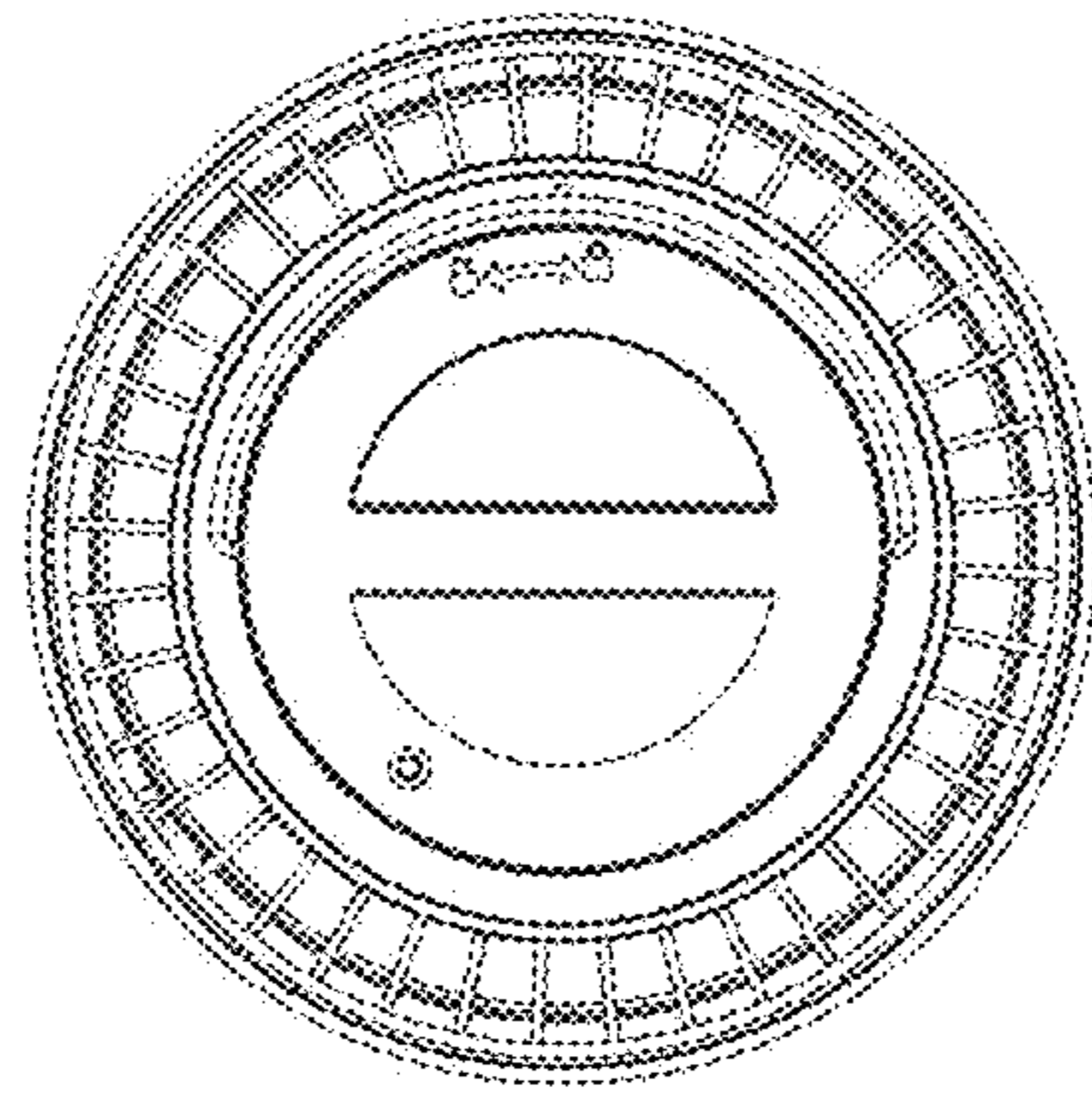


FIG.5

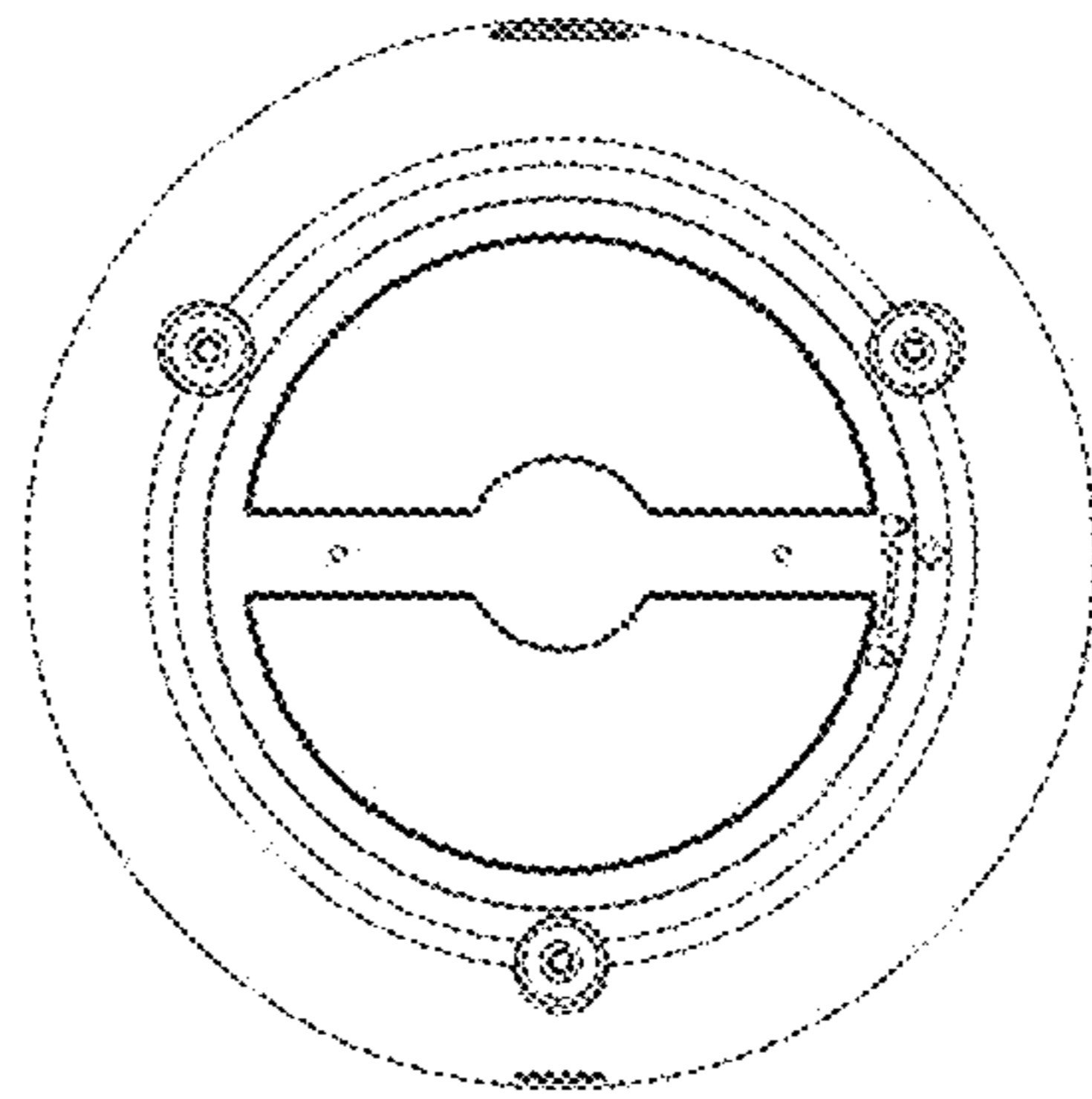


FIG.6

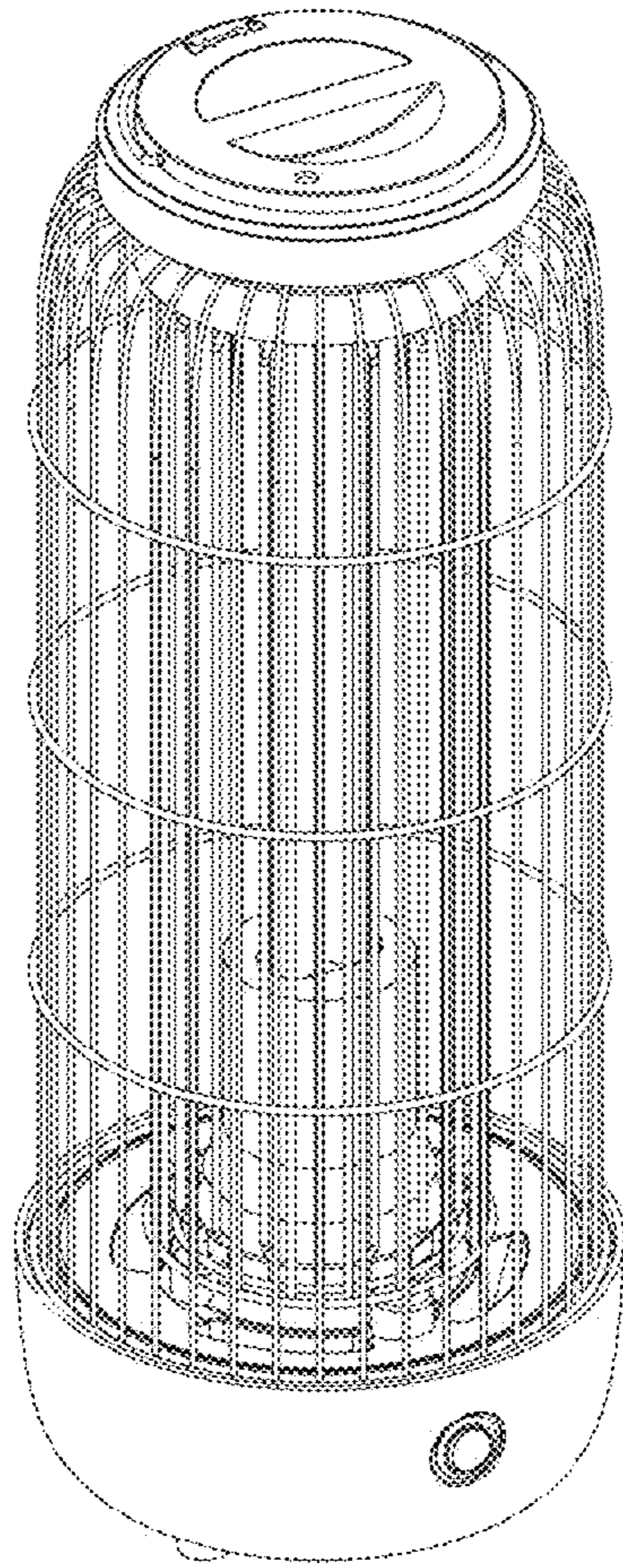


FIG.7

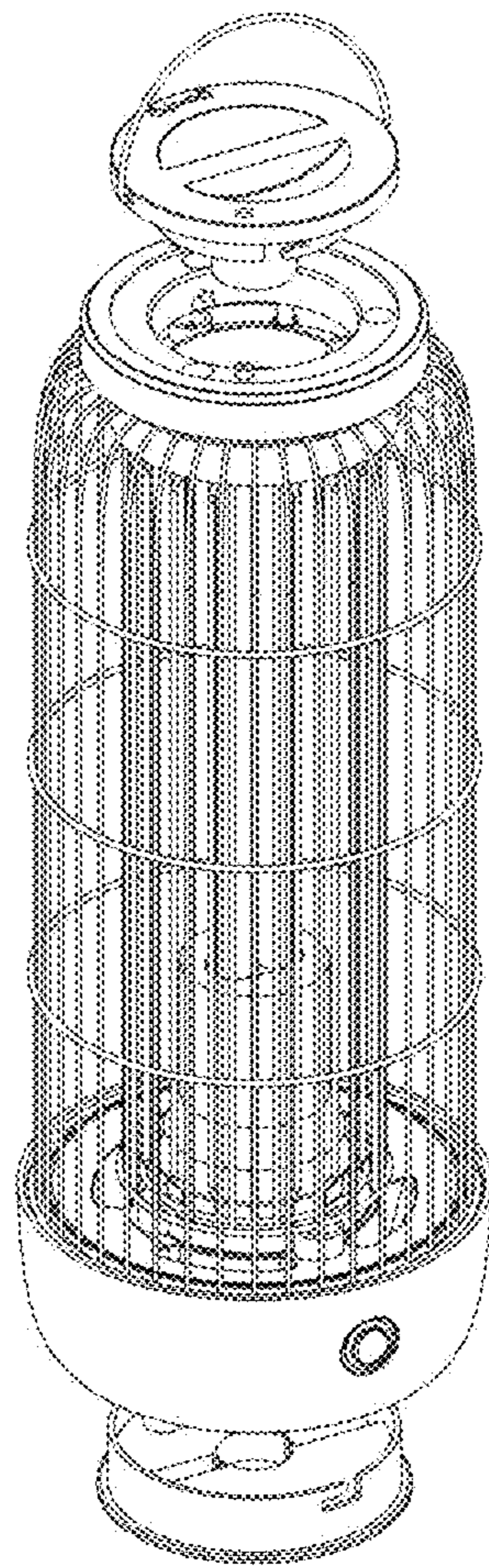


FIG.8