



US00D917654S

(12) **United States Design Patent**
Howell

(10) **Patent No.:** **US D917,654 S**
(45) **Date of Patent:** **** Apr. 27, 2021**

(54) **DUELING SHOOTING TARGET ASSEMBLY**

FOREIGN PATENT DOCUMENTS

(71) Applicant: **Dick's Sporting Goods, Inc.**,
Coraopolis, PA (US)

CN 105135951 A 12/2015
WO 2008143585 A1 11/2008

(72) Inventor: **Jacob Ray Howell**, Kent, OH (US)

OTHER PUBLICATIONS

(73) Assignee: **Dick's Sporting Goods, Inc.**,
Coraopolis, PA (US)

"Do-All Outdoors—Heli Handgun Spinner Steel Target, Rated for .38-.45 Caliber". [online]. Do-All Outdoors. [Product first available on Feb. 1, 2014]. Retrieved from the Internet: <<https://www.amazon.com/dp/B00I6LC44A/>>.*

(**) Term: **15 Years**

(Continued)

(21) Appl. No.: **29/707,995**

(22) Filed: **Oct. 2, 2019**

Primary Examiner — Mojtaba Tehrani

(74) *Attorney, Agent, or Firm* — Fox Rothschild LLP

(51) **LOC (13) Cl.** **22-04**

(52) **U.S. Cl.**
USPC **D22/113; D21/306**

(58) **Field of Classification Search**
USPC D22/113, 114; D21/302, 306
CPC F41J 1/00; F41J 1/10; F41J 7/04; F41A
17/46; F41A 19/11

See application file for complete search history.

(56) **References Cited**

U.S. PATENT DOCUMENTS

402,112 A	4/1889	Sterick	
434,522 A	8/1890	Pederson	
1,348,540 A	8/1920	Briggs	
1,507,296 A	9/1924	Newman	
1,540,802 A	6/1925	Ordway	
1,616,270 A *	2/1927	Madden	A63F 9/0204 273/401
2,967,712 A	1/1961	Breitenfeldt	
3,118,670 A	1/1964	Smith	
3,552,749 A	1/1971	Piggott	
3,817,526 A	6/1974	Bibb	
3,866,916 A	2/1975	Clarke	
D257,779 S *	1/1981	Sippola	D21/699
4,245,843 A	1/1981	Griggs	
4,283,060 A	8/1981	Braunschweiler	
D288,828 S *	3/1987	Romestan	D21/304
5,176,386 A	1/1993	Simmons	

(Continued)

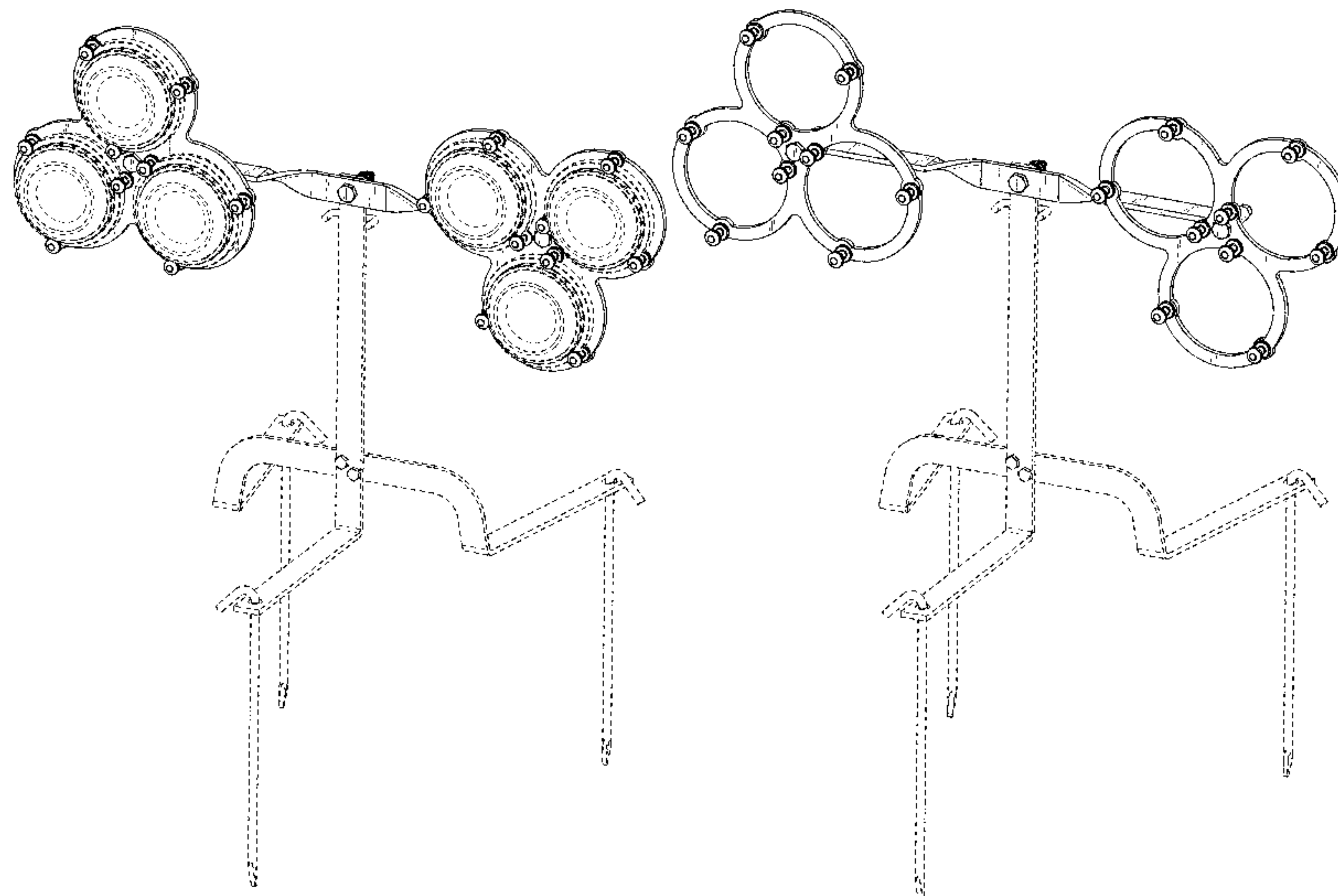
(57) **CLAIM**

The ornamental design for a dueling shooting target assembly, as shown and described.

DESCRIPTION

FIG. 1 is a front perspective view of a dueling shooting target assembly.
FIG. 2 is another front perspective view of the dueling shooting target assembly.
FIG. 3 is a rear perspective view of the dueling shooting target assembly.
FIG. 4 is another front perspective view of the dueling shooting target assembly.
FIG. 5 is a side view of the dueling shooting target assembly.
FIG. 6 is a top view of the dueling shooting target assembly; and,
FIG. 7 is a bottom view of the dueling shooting target assembly.
In the drawings, the broken lines shown in FIGS. 1-7 indicate portions of the article not claimed, and form no part of the claimed design.

1 Claim, 7 Drawing Sheets



(56)

References Cited

U.S. PATENT DOCUMENTS

5,263,721 A 11/1993 Lowrance
 5,263,722 A 11/1993 Rosellen
 5,324,043 A 6/1994 Estrella
 5,467,979 A 11/1995 Zarate
 5,795,251 A 8/1998 Andersen
 5,833,555 A 11/1998 Jer-Min
 6,398,215 B1 6/2002 Carroll
 6,896,267 B1 5/2005 Le Anna
 6,983,938 B2 1/2006 Goldsmith
 6,994,349 B2 2/2006 Lambert et al.
 6,994,398 B2 2/2006 Gross
 7,114,725 B2 10/2006 Camp et al.
 7,134,977 B2 11/2006 Campbell et al.
 7,297,092 B1 11/2007 Gaynor
 7,306,229 B2 12/2007 Rolfe
 7,338,048 B1* 3/2008 Hulstine F41J 1/10
 211/196
 7,611,147 B2* 11/2009 Sheldon F41J 7/06
 273/366
 7,690,656 B2 4/2010 Saunders
 7,731,197 B2 6/2010 Stutz
 7,988,155 B2* 8/2011 Wyrick F41J 1/10
 273/407
 8,172,231 B2 5/2012 Massier
 D689,164 S* 9/2013 Burress D22/113
 8,807,570 B1* 8/2014 Zalar F41J 7/04
 273/390
 9,163,912 B1 10/2015 Stark
 9,228,809 B1 1/2016 Relyea
 9,303,959 B2* 4/2016 Doria F41J 1/10
 9,446,301 B2 9/2016 Leimberer
 9,513,091 B2 12/2016 Roberts
 9,574,855 B2 2/2017 Davis

D787,009 S* 5/2017 Carpenter D22/113
 9,702,667 B1 7/2017 Gutierrez
 D815,241 S* 4/2018 Woller D22/113
 10,119,795 B2 11/2018 Daub et al.
 10,215,541 B2 2/2019 Nicholson
 10,273,340 B2 4/2019 Hopkins, Jr. et al.
 10,487,979 B2 11/2019 Simons et al.
 10,488,160 B2 11/2019 La Scola et al.
 10,502,535 B2 12/2019 Sun
 D878,469 S* 3/2020 Kinner D21/301
 10,589,157 B2 3/2020 Kinner
 D903,811 S* 12/2020 Engler D22/113
 2007/0013138 A1 1/2007 Hinnant
 2007/0167297 A1 7/2007 Stevenson
 2015/0069709 A1* 3/2015 Doria F41J 1/10
 273/407
 2015/0285593 A1 10/2015 Dribben
 2016/0213989 A1 7/2016 Fristaczki
 2019/0360785 A1 11/2019 Bitkowski

OTHER PUBLICATIONS

“Do-All Outdoors—Bonehead Rebar Triple Spinner Steel Target, Rated for .22 Caliber”. [online]. Do-All Outdoors. [Product first available on Mar. 31, 2015]. Retrieved from the Internet: <<https://www.amazon.com/dp/B00TYUXUZO>>.*
 “Do-All Outdoors—Auto Reset Pro-Style Steel Target, Rated for .22 Caliber”. [online]. Do-All Outdoors. [Product first available on Feb. 17, 2015]. Retrieved from the Internet: <<https://www.amazon.com/dp/B00N23USF4>>.*
 Information about Related Patents and Patent Applications, see section 6 of the accompanying Information Disclosure Statement Letter, which concerns Related Patents and Patent Applications.

* cited by examiner

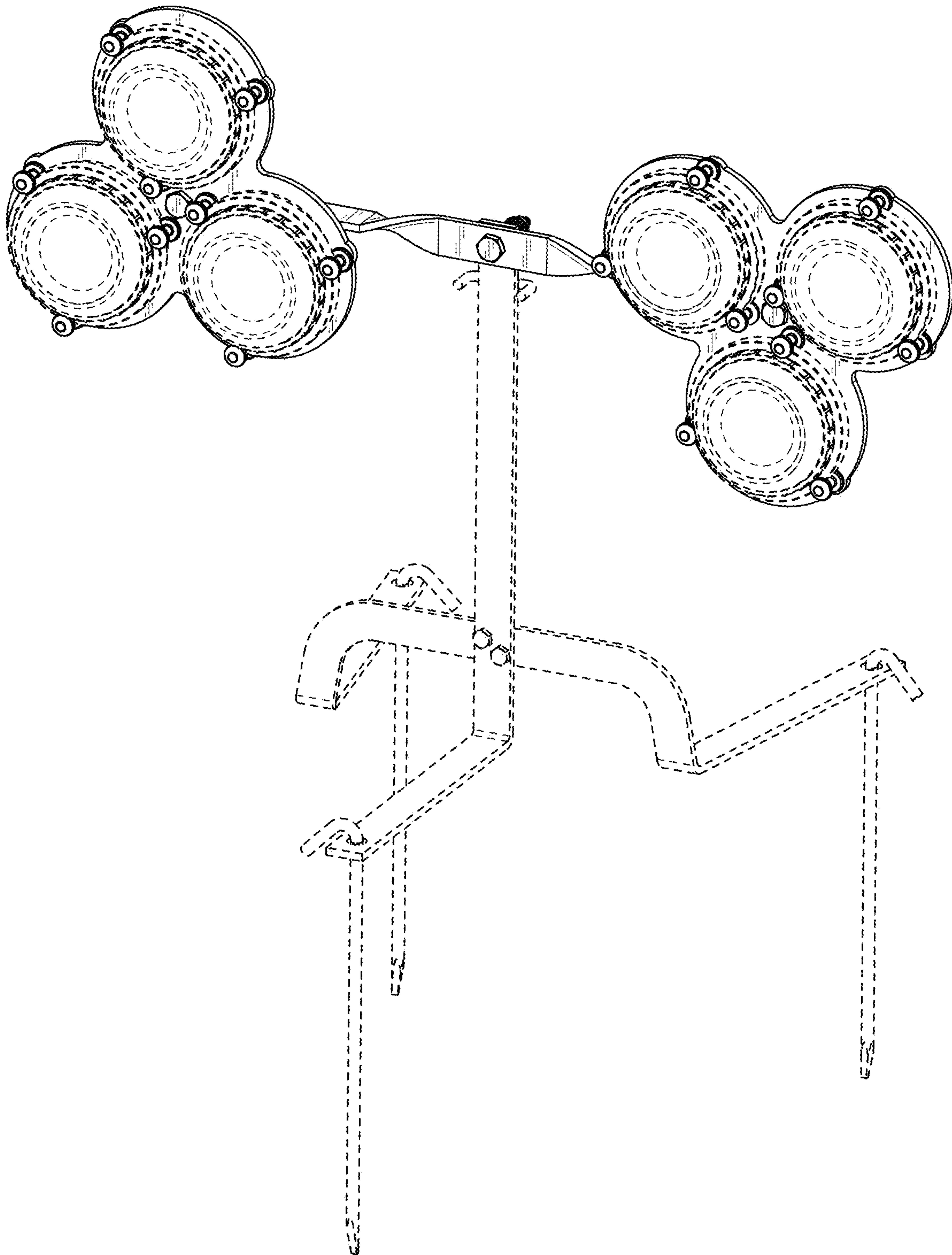


FIG. 1

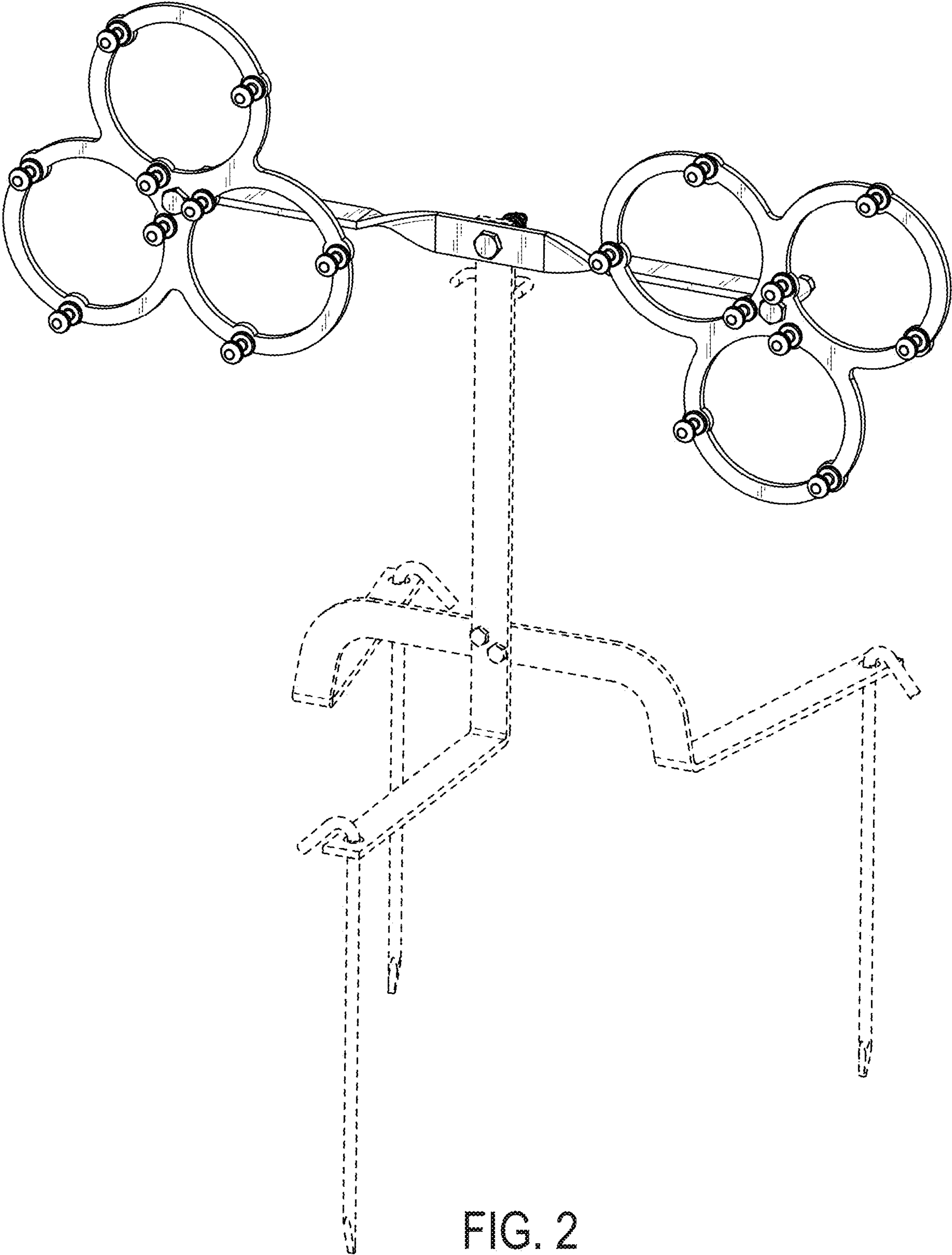


FIG. 2

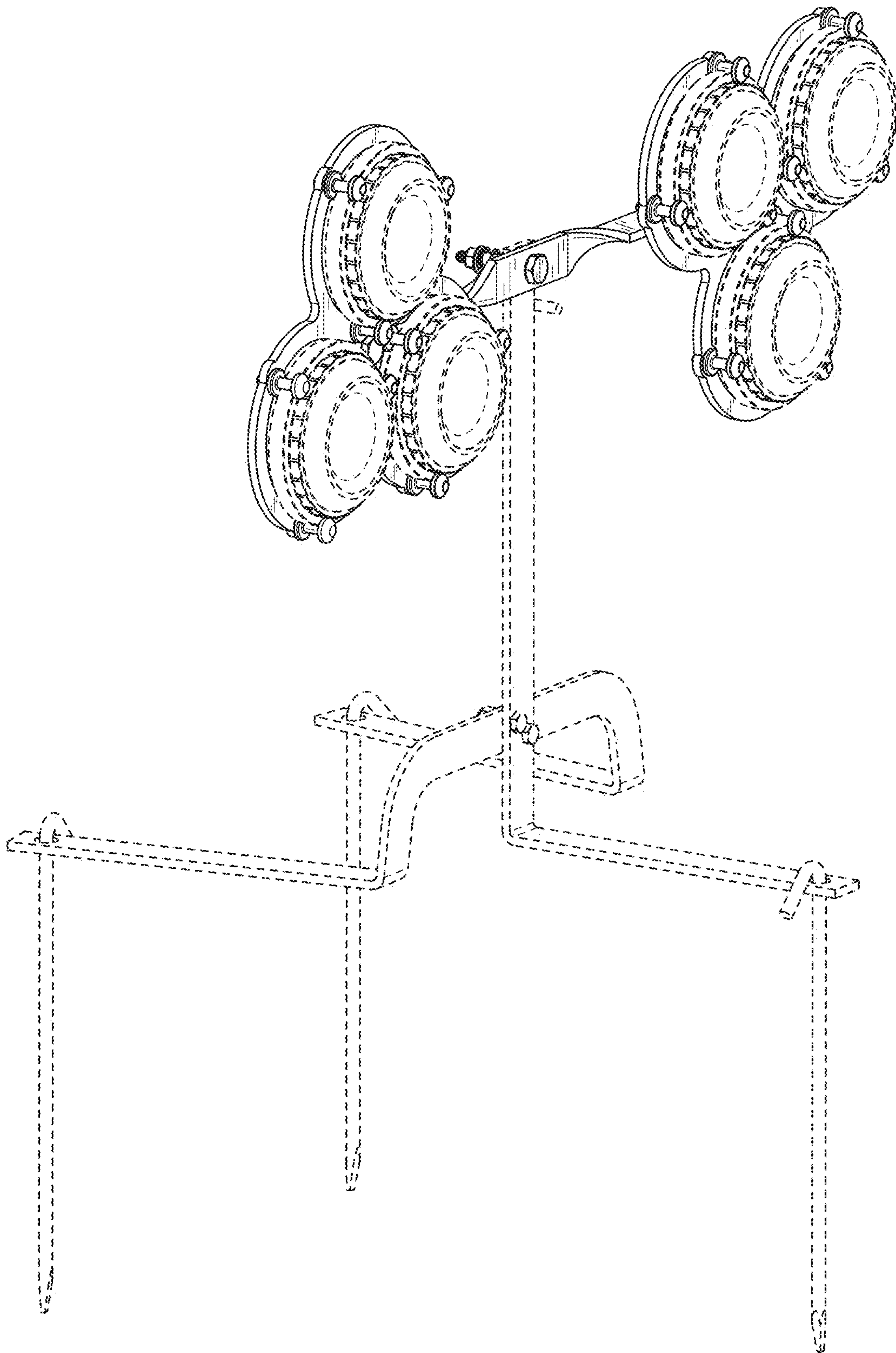


FIG. 3

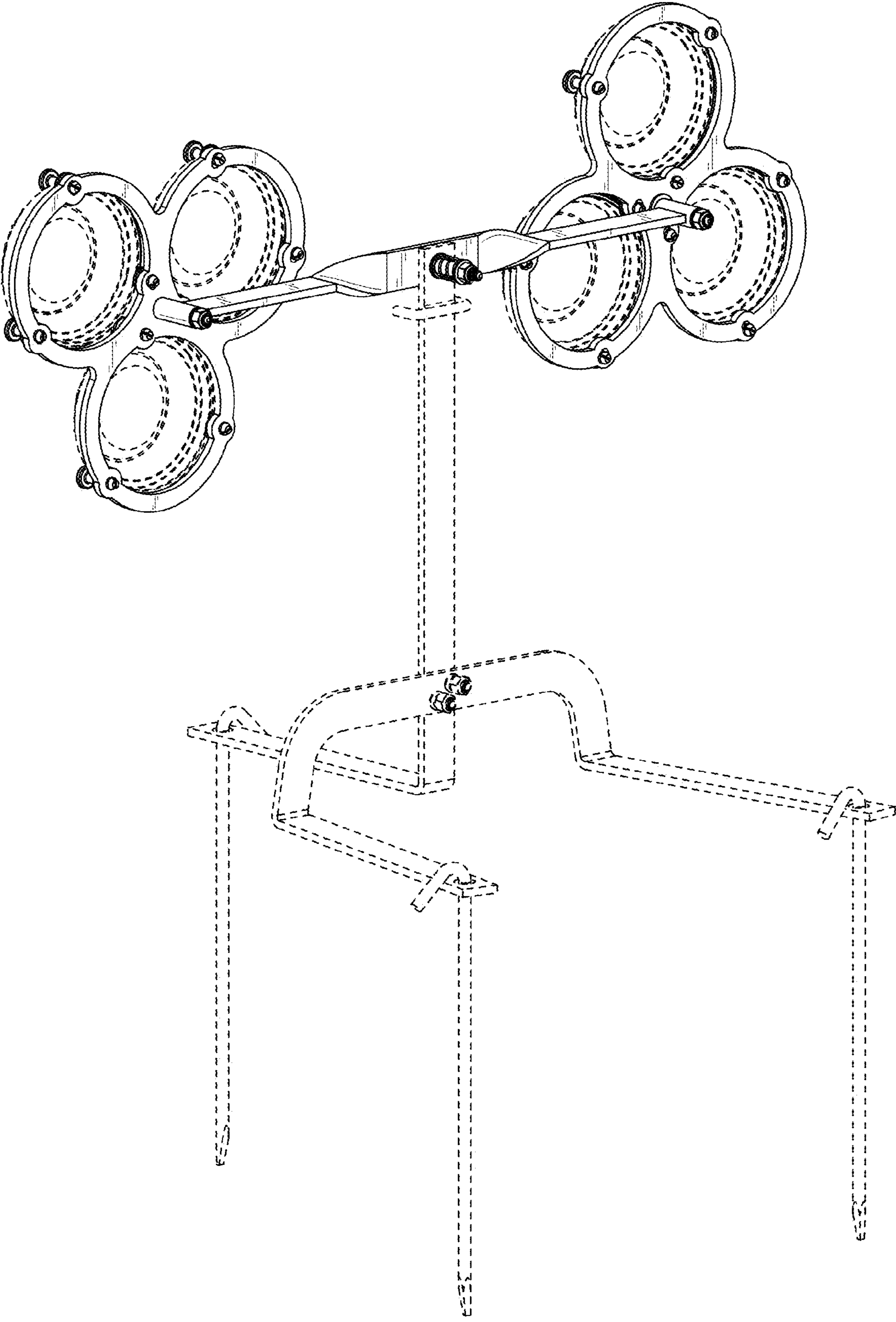


FIG. 4

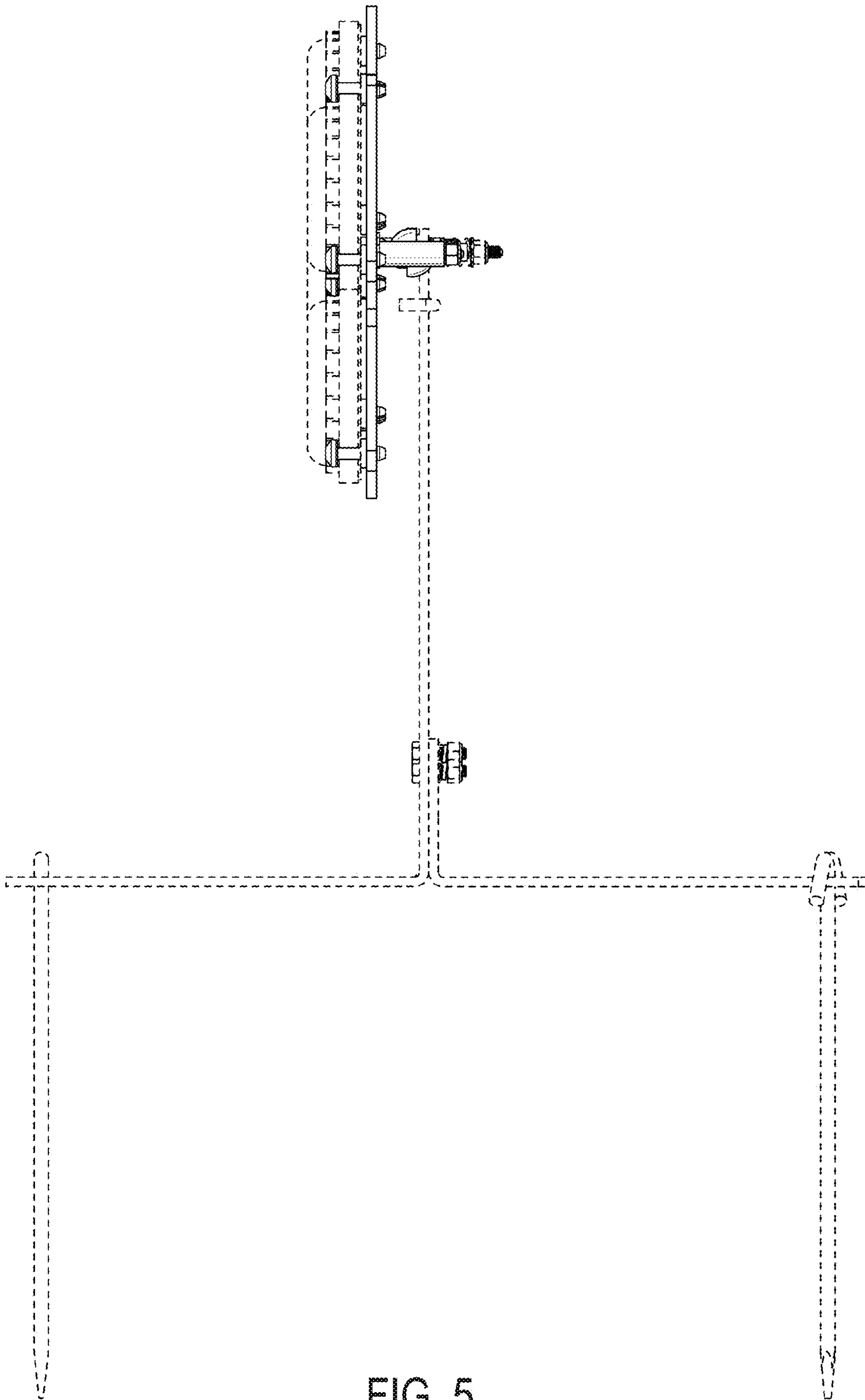


FIG. 5

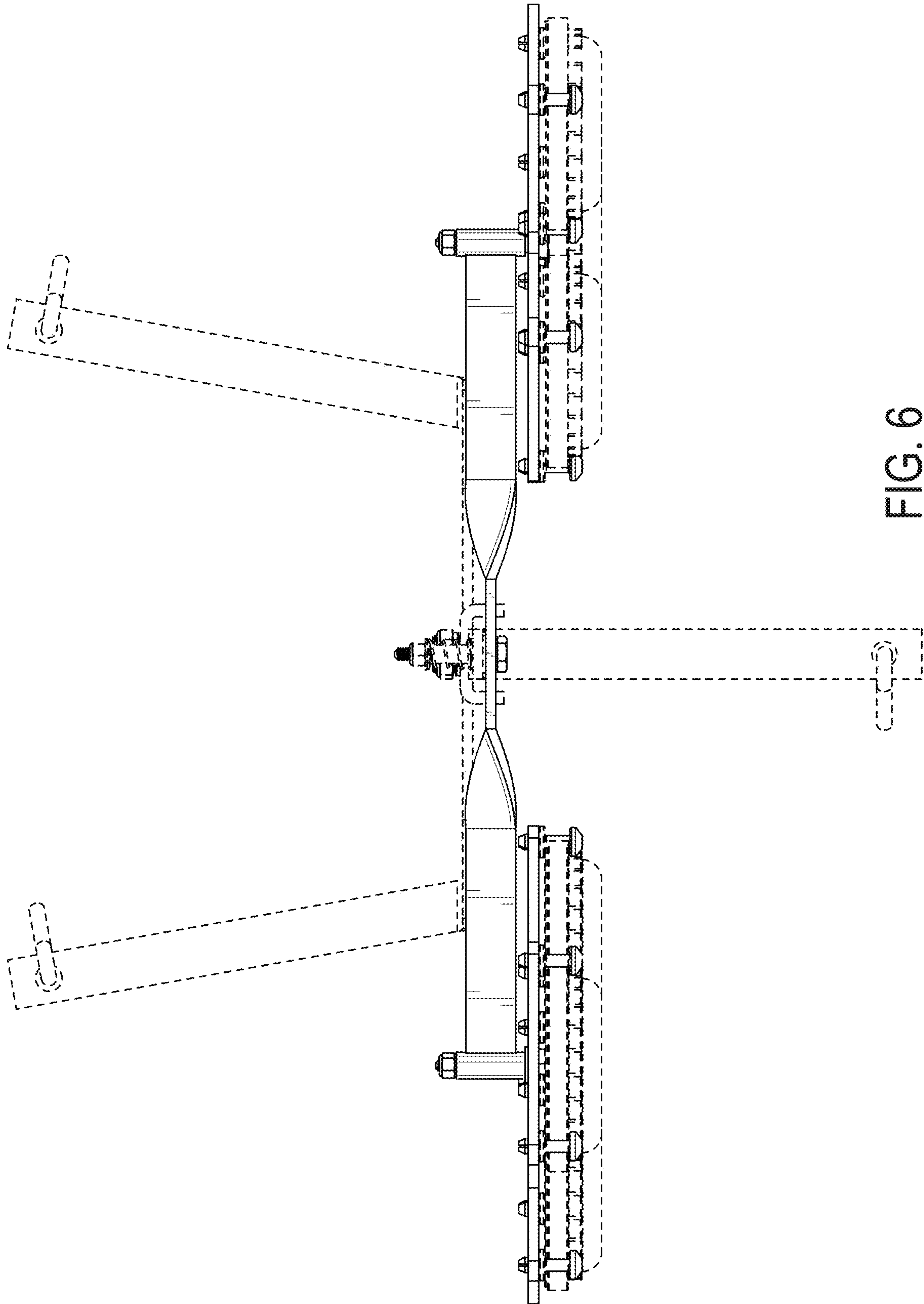


FIG. 6

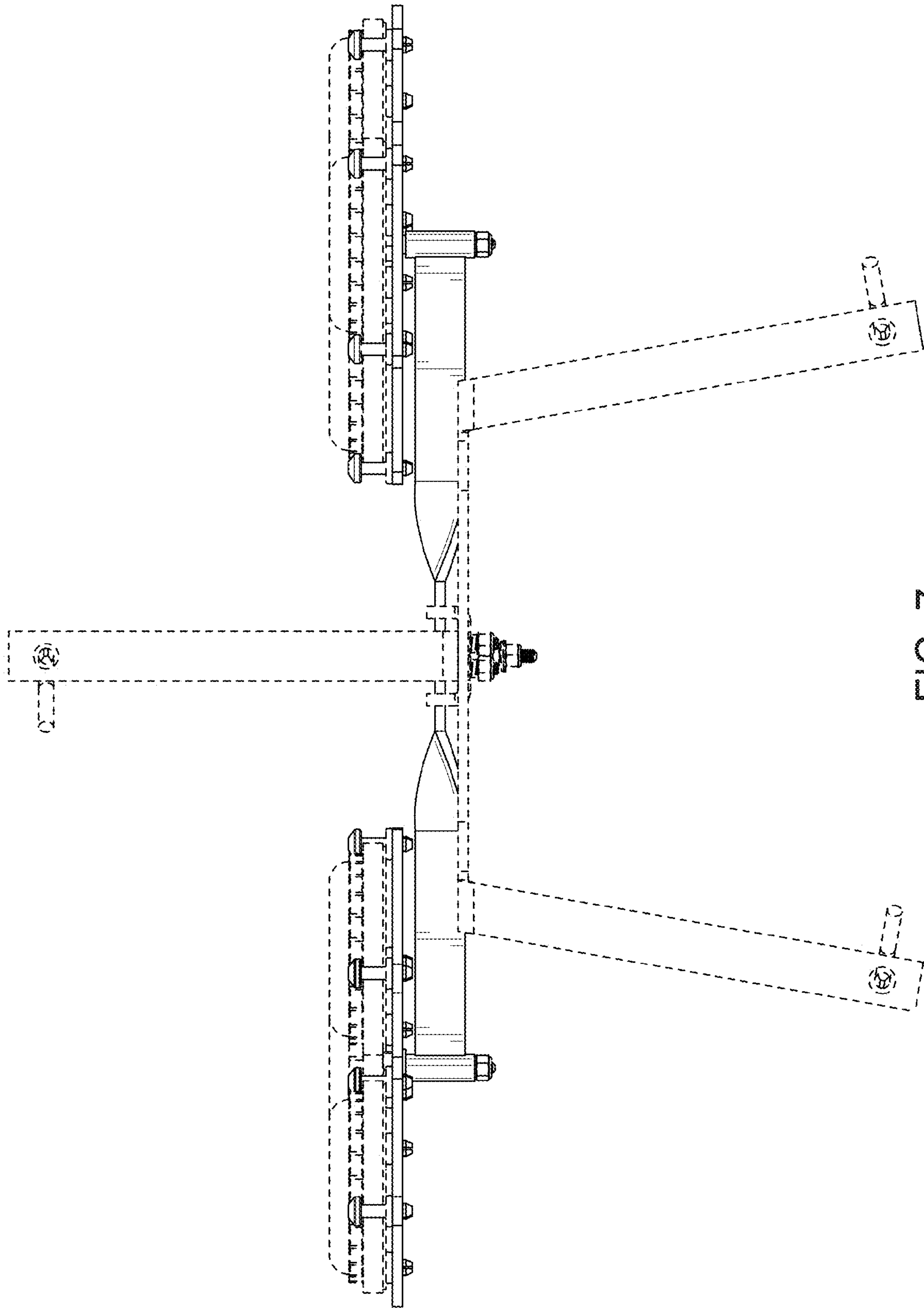


FIG. 7