



US00D917652S

(12) **United States Design Patent**  
**Maynard**

(10) **Patent No.:** **US D917,652 S**  
(45) **Date of Patent:** **\*\* Apr. 27, 2021**

- (54) **RETICLE ALIGNMENT TOOL**
- (71) Applicant: **Marc L. Maynard**, Spencerport, NY (US)
- (72) Inventor: **Marc L. Maynard**, Spencerport, NY (US)
- (\*\*) Term: **15 Years**
- (21) Appl. No.: **29/680,784**
- (22) Filed: **Feb. 20, 2019**
- (51) **LOC (13) Cl.** ..... **22-01**
- (52) **U.S. Cl.**  
USPC ..... **D22/110**
- (58) **Field of Classification Search**  
USPC ..... D22/108, 109, 110; D8/14; D10/65  
CPC ..... F41G 1/54; F41G 1/14; F41G 1/38; F41G 1/40; B25D 1/16; G01B 3/50  
See application file for complete search history.

(56) **References Cited**

**U.S. PATENT DOCUMENTS**

D345,514 S *	3/1994	Donnelly	.....	D10/64
D348,503 S *	7/1994	Claveau	.....	D22/108
D392,855 S *	3/1998	Pillow	.....	D8/14
D416,771 S *	11/1999	Cagle	.....	D8/14
6,298,568 B1 *	10/2001	Johnson	.....	G01B 3/28
				33/501.45
6,553,679 B2 *	4/2003	Todd	.....	E04F 21/00
				33/474
D595,599 S *	7/2009	McHowell	.....	D10/65
8,028,434 B2 *	10/2011	McHowell	.....	G01B 3/30
				33/613
D657,274 S *	4/2012	Neethling	.....	D10/69
D684,830 S *	6/2013	Glynn	.....	D8/14
D686,686 S *	7/2013	Dueck	.....	D22/108
D686,687 S *	7/2013	Dueck	.....	D22/108
D741,731 S *	10/2015	Lamanna	.....	B25H 7/02
				D10/65

D779,979 S *	2/2017	Eisinger	.....	D10/65
D847,672 S *	5/2019	Kennedy	.....	D10/62
2020/0271417 A1 *	8/2020	Maynard	.....	B25D 1/16

**OTHER PUBLICATIONS**

“Leveling the Scope Reticle for Long Range Rifles” [online]. Bruce Winker. [Published on Jan. 21, 2013]. Retrieved from the Internet: <<https://www.longrangehunting.com/articles/leveling-the-scope-reticle-for-long-range-rifles.667/>>.\*

“HIRAM Reticle Leveling System Firearm Scope Crosshair Alignment Level Tool Kit [ . . . ]” [online]. HIRAM. [Date first available Jul. 27, 2020]. Retrieved from the Internet: <<https://www.amazon.com/dp/B083S4T3HC>>.\*

“Wheeler Engineering Level Level Level Scope Mounting Leveling Tool [ . . . ]” [online]. Wheeler. [Date first available Oct. 19, 2006]. Retrieved from the Internet: <<https://www.amazon.com/dp/B000BYAKDM>>.\*

\* cited by examiner

*Primary Examiner* — Mojtaba Tehrani  
(74) *Attorney, Agent, or Firm* — Basch & Nickerson LLP; Michael J. Nickerson; Duane C. Basch

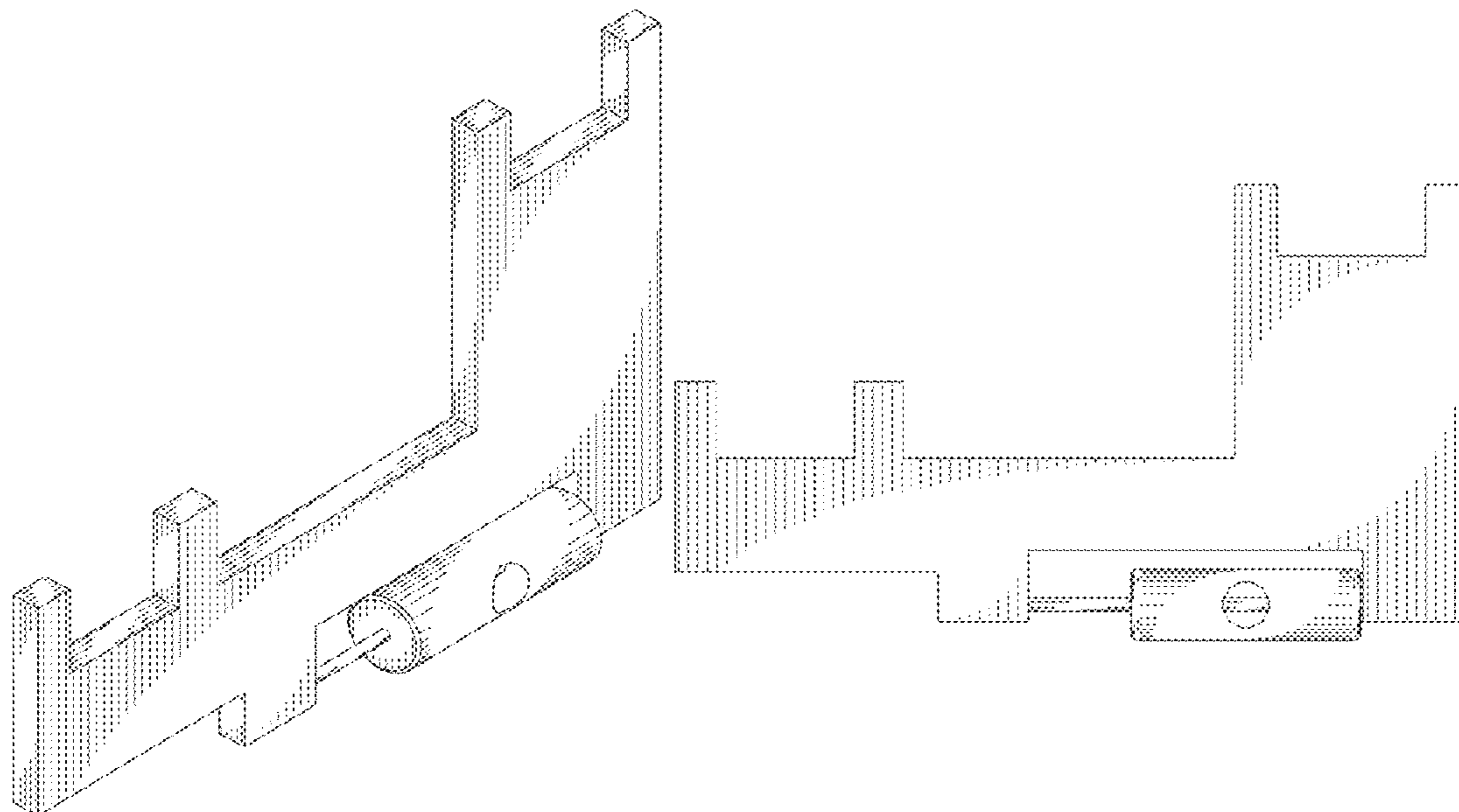
(57) **CLAIM**

The ornamental design for a reticle alignment tool, as shown and described.

**DESCRIPTION**

FIG. 1 is a perspective view of the top, front and right sides of a reticle alignment tool;  
FIG. 2 is a front view of the reticle alignment tool;  
FIG. 3 is a right view of the reticle alignment tool;  
FIG. 4 is a rear side view of the reticle alignment tool;  
FIG. 5 is left side view of the reticle alignment tool;  
FIG. 6 is a top view of the reticle alignment tool; and,  
FIG. 7 is a bottom view of the reticle alignment tool.

**1 Claim, 6 Drawing Sheets**



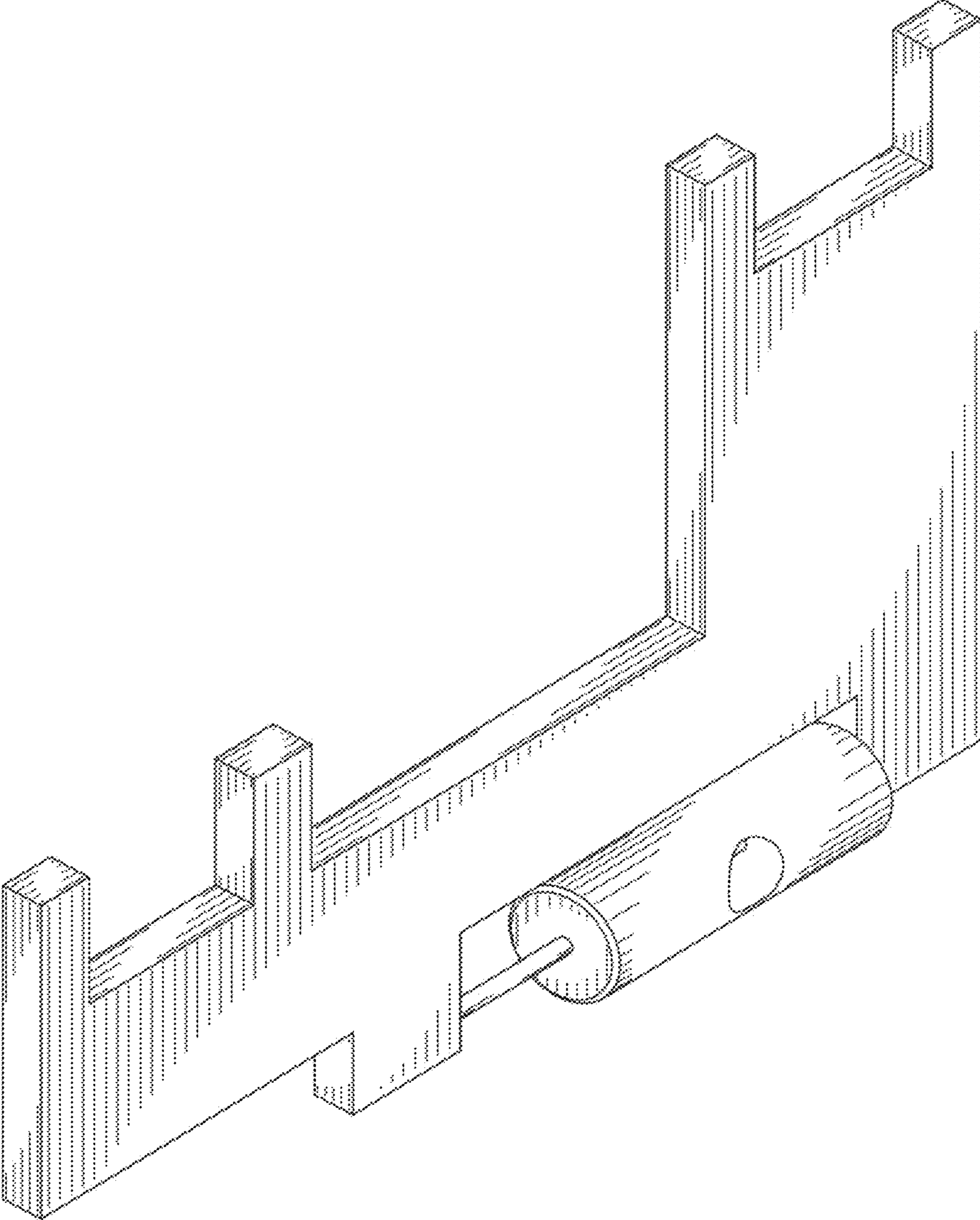


FIG. 1

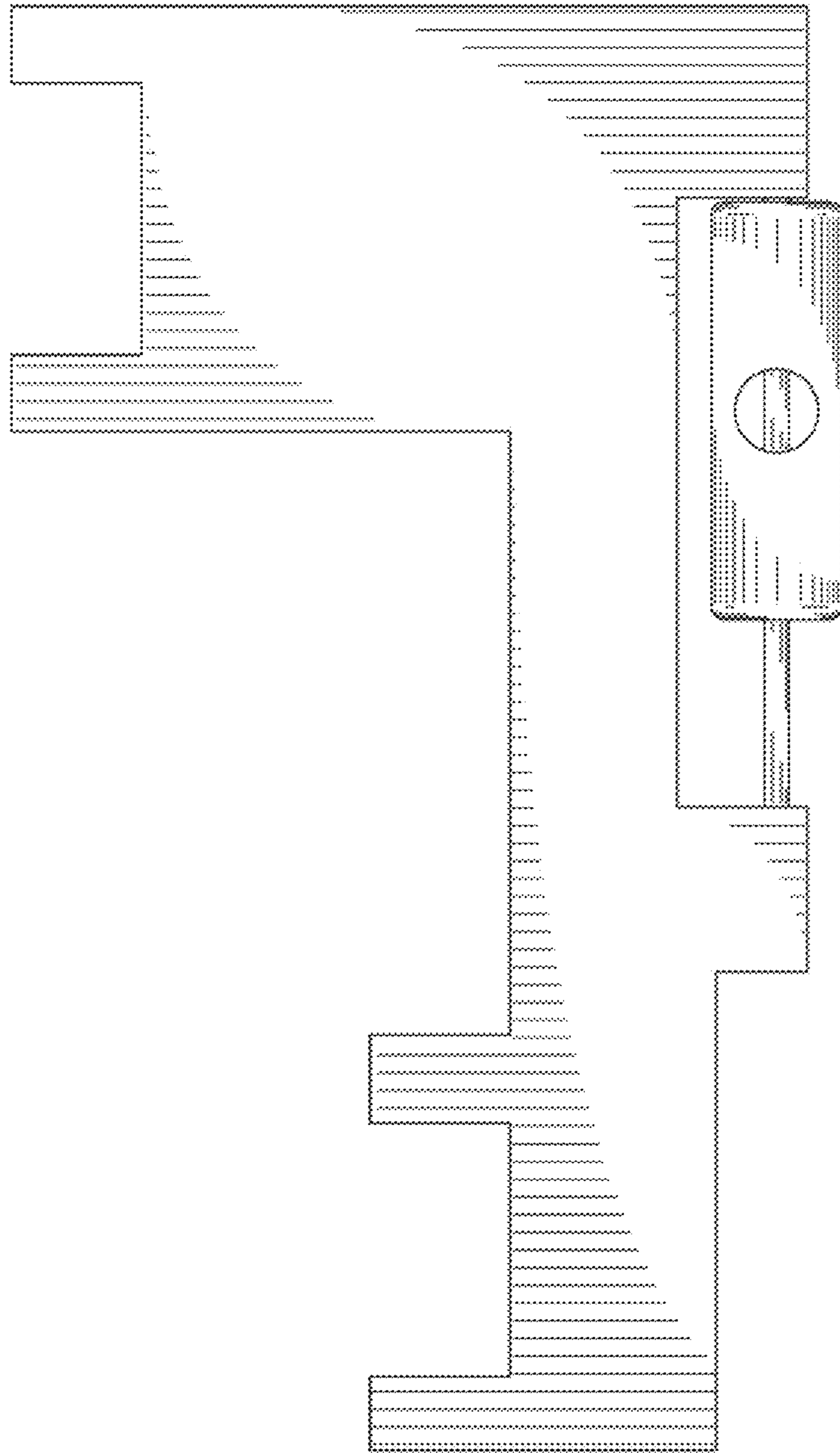


FIG. 2

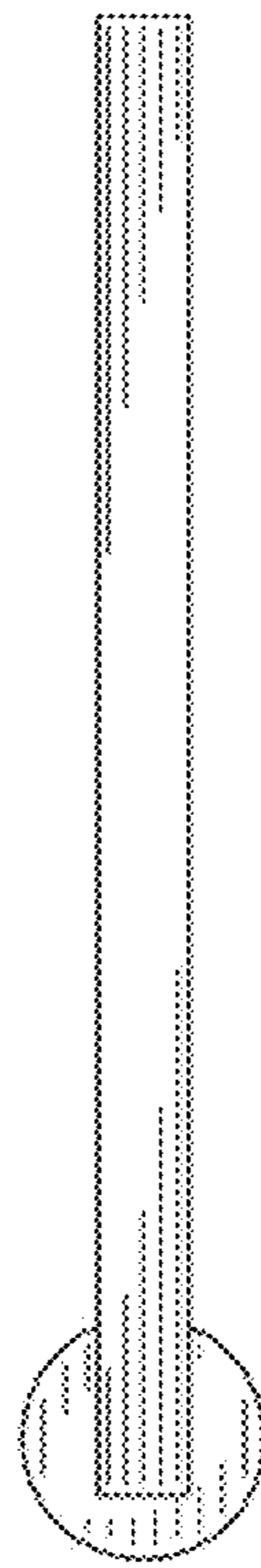


FIG. 3

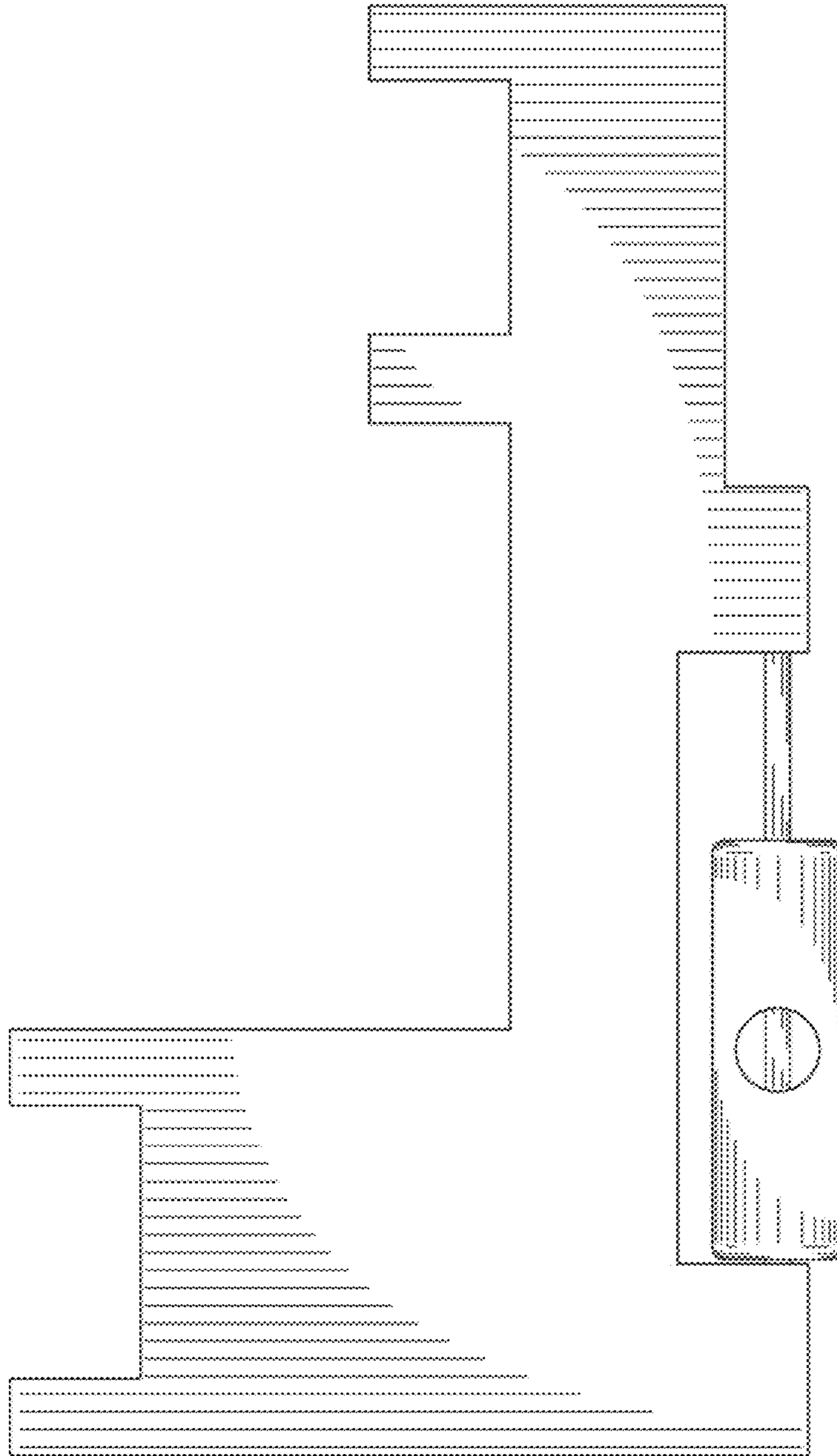


FIG. 4

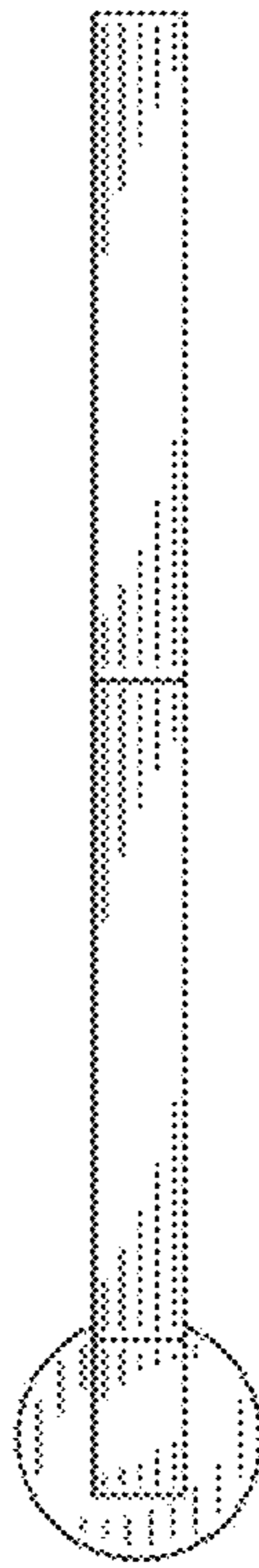


FIG. 5

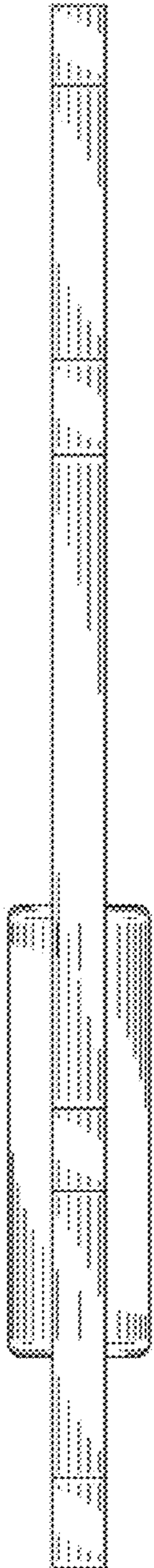


FIG. 6

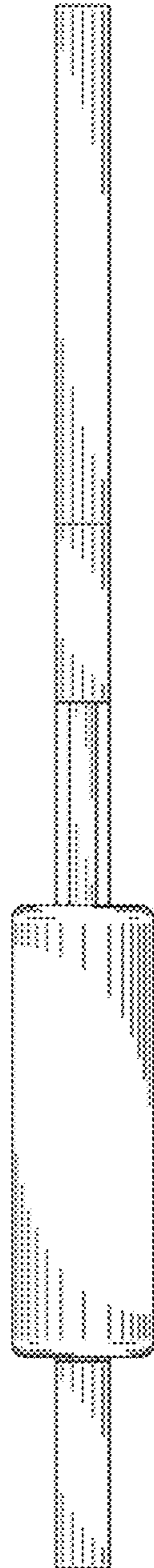


FIG. 7