



US00D917651S

(12) **United States Design Patent**  
**Huang**

(10) **Patent No.:** **US D917,651 S**

(45) **Date of Patent:** **\*\* Apr. 27, 2021**

(54) **SIGHT**

(71) Applicant: **Shenzhen Feiyachi Industrial Co., Ltd.**, Shenzhen (CN)

(72) Inventor: **Yong Huang**, Qinzhou (CN)

(\*\*) Term: **15 Years**

(21) Appl. No.: **29/762,055**

(22) Filed: **Dec. 15, 2020**

(30) **Foreign Application Priority Data**

Dec. 3, 2020 (CN) ..... 202030741352.9

(51) **LOC (13) Cl.** ..... **22-01**

(52) **U.S. Cl.**  
USPC ..... **D22/109**

(58) **Field of Classification Search**  
USPC ..... D22/109; D21/573  
CPC . F41G 11/003; F41G 1/00; F41G 1/16; F41G  
1/345

See application file for complete search history.

(56) **References Cited**

**U.S. PATENT DOCUMENTS**

D612,756 S 3/2010 D'Amelio et al.  
D631,934 S \* 2/2011 Daniel ..... D22/109

D728,062 S 4/2015 Hamilton et al.  
D778,390 S 2/2017 Zhang et al.  
D873,947 S \* 1/2020 Shelton ..... D22/109  
D883,423 S \* 5/2020 Shelton ..... D22/109

\* cited by examiner

*Primary Examiner* — Michael A. Pratt  
(74) *Attorney, Agent, or Firm* — W&K IP

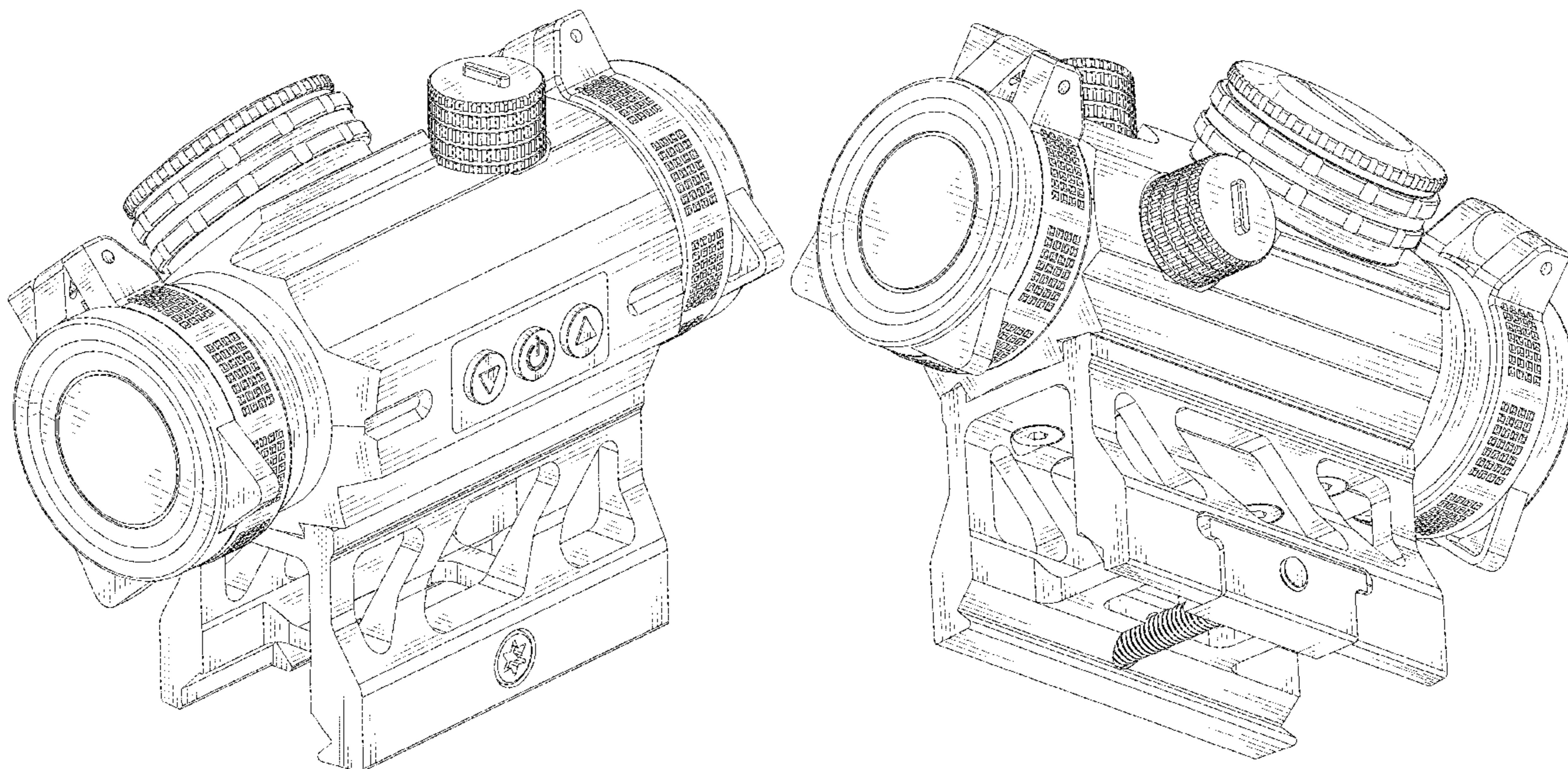
(57) **CLAIM**

The ornamental design for a sight, as shown and described.

**DESCRIPTION**

FIG. 1 is a perspective view of a sight showing my new design;  
FIG. 2 is a front view thereof;  
FIG. 3 is a rear view thereof;  
FIG. 4 is a left side view thereof;  
FIG. 5 is a right side view thereof;  
FIG. 6 is a top plan view thereof;  
FIG. 7 is a bottom plan view thereof;  
FIG. 8 is second perspective view thereof; and,  
FIG. 9 is a perspective view of use state thereof.

**1 Claim, 9 Drawing Sheets**



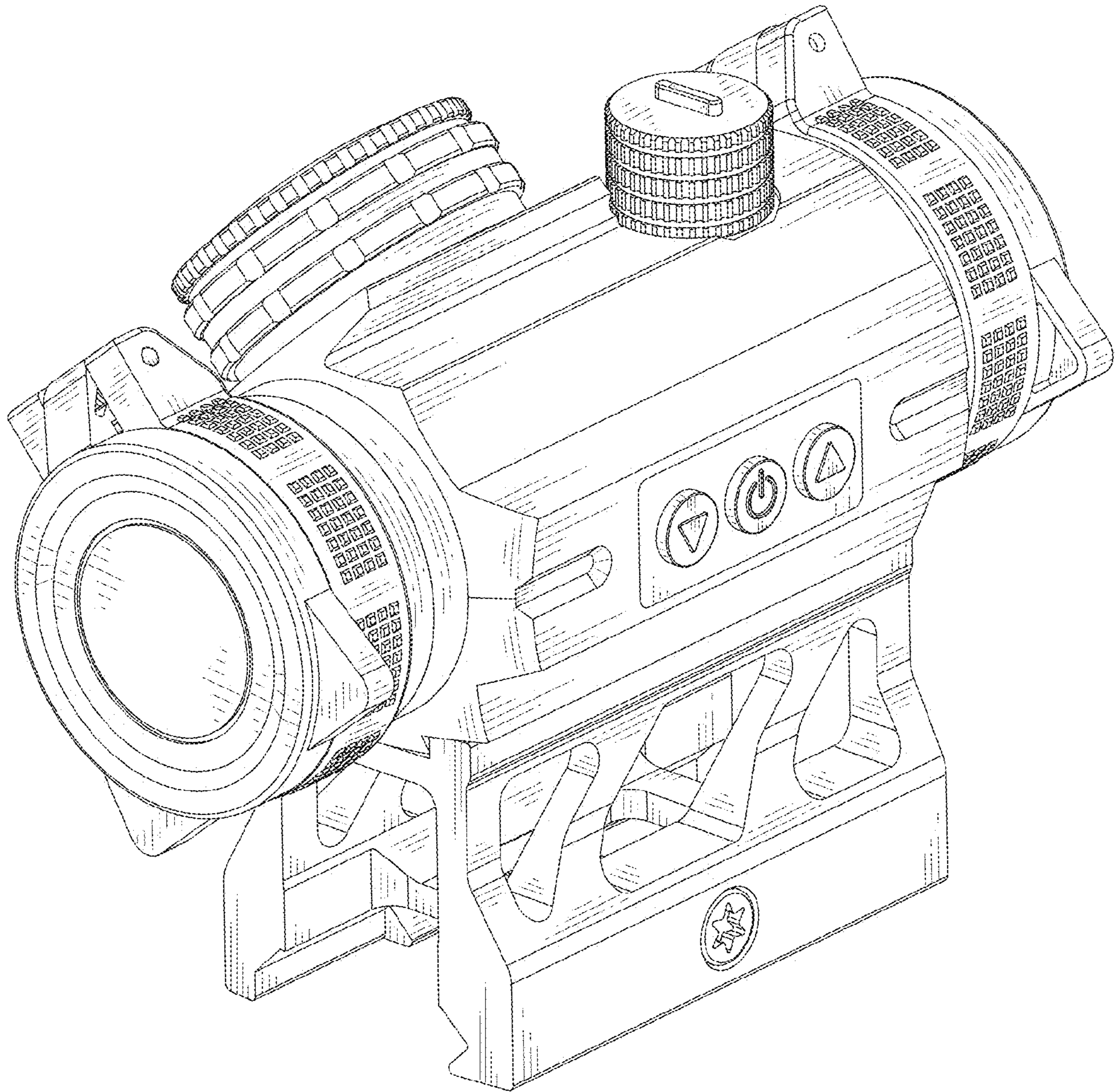


FIG. 1

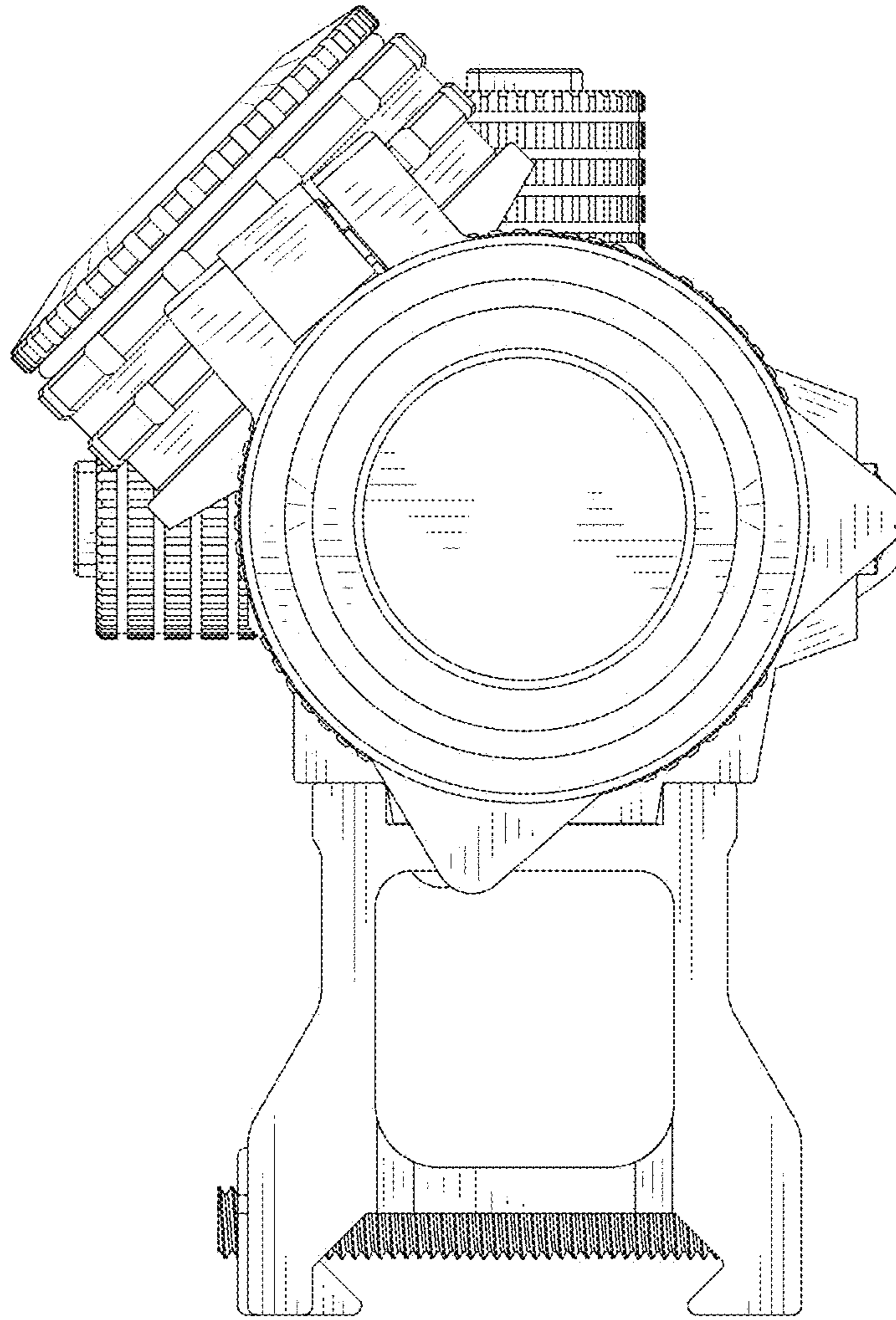


FIG.2

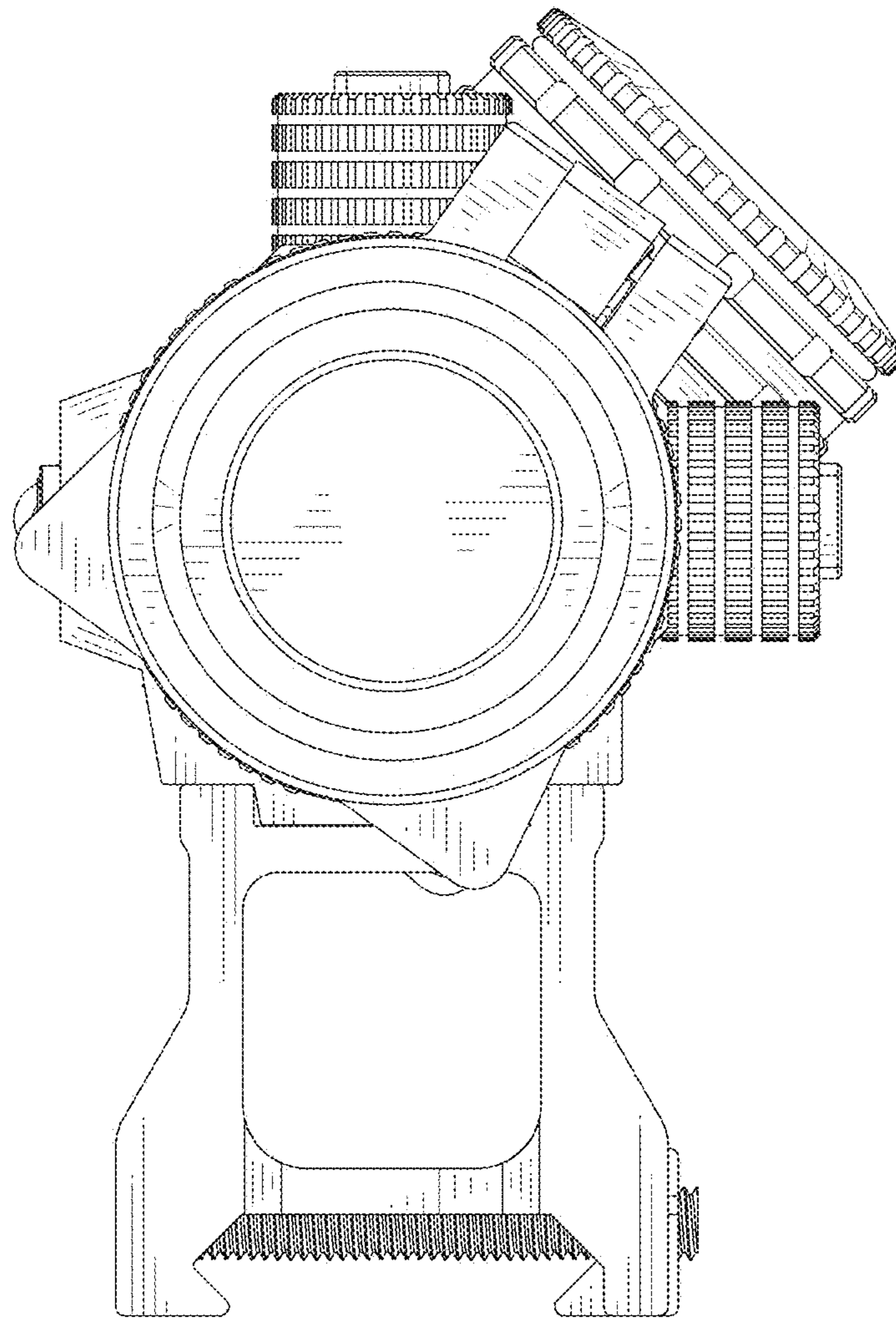


FIG.3

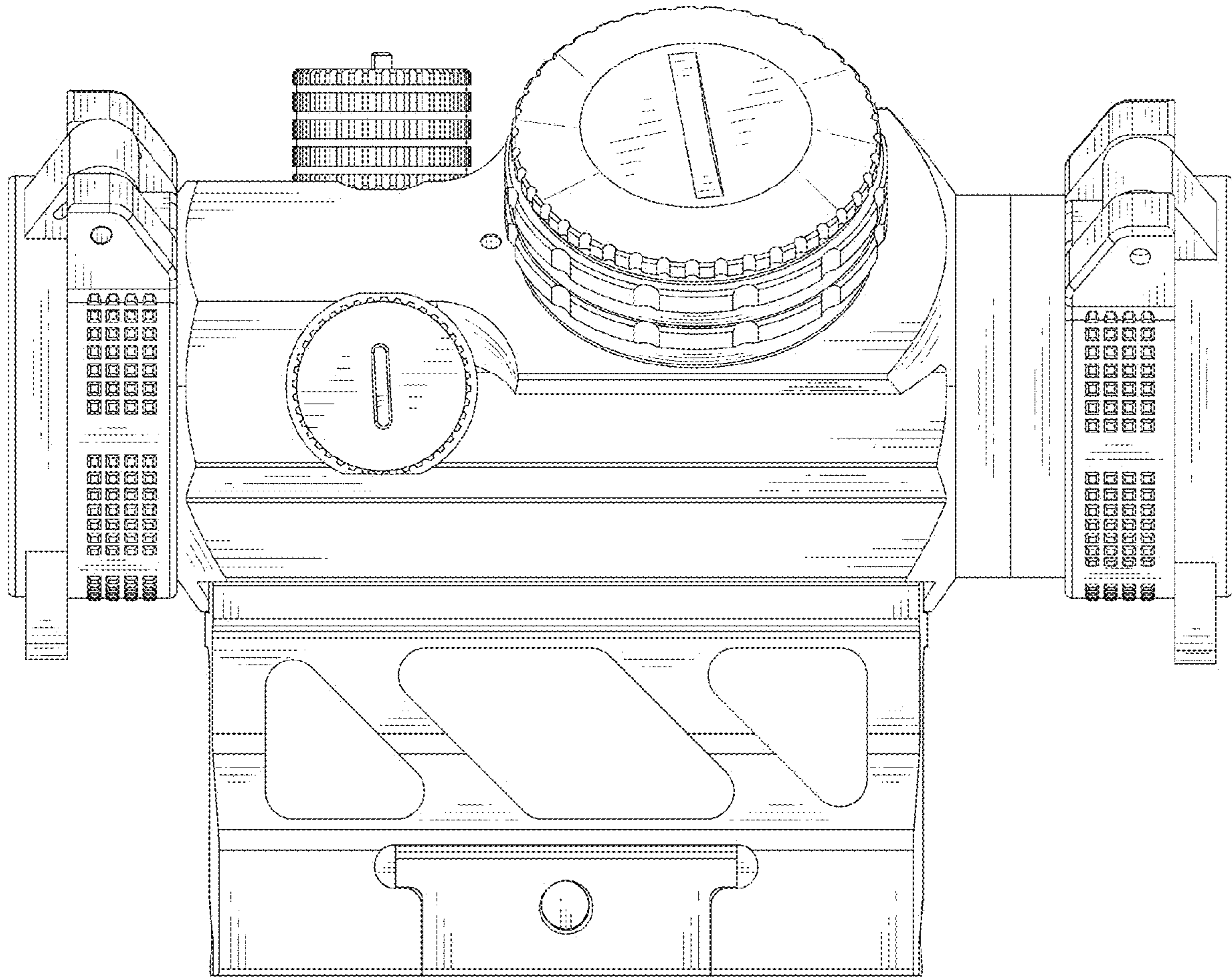


FIG.4

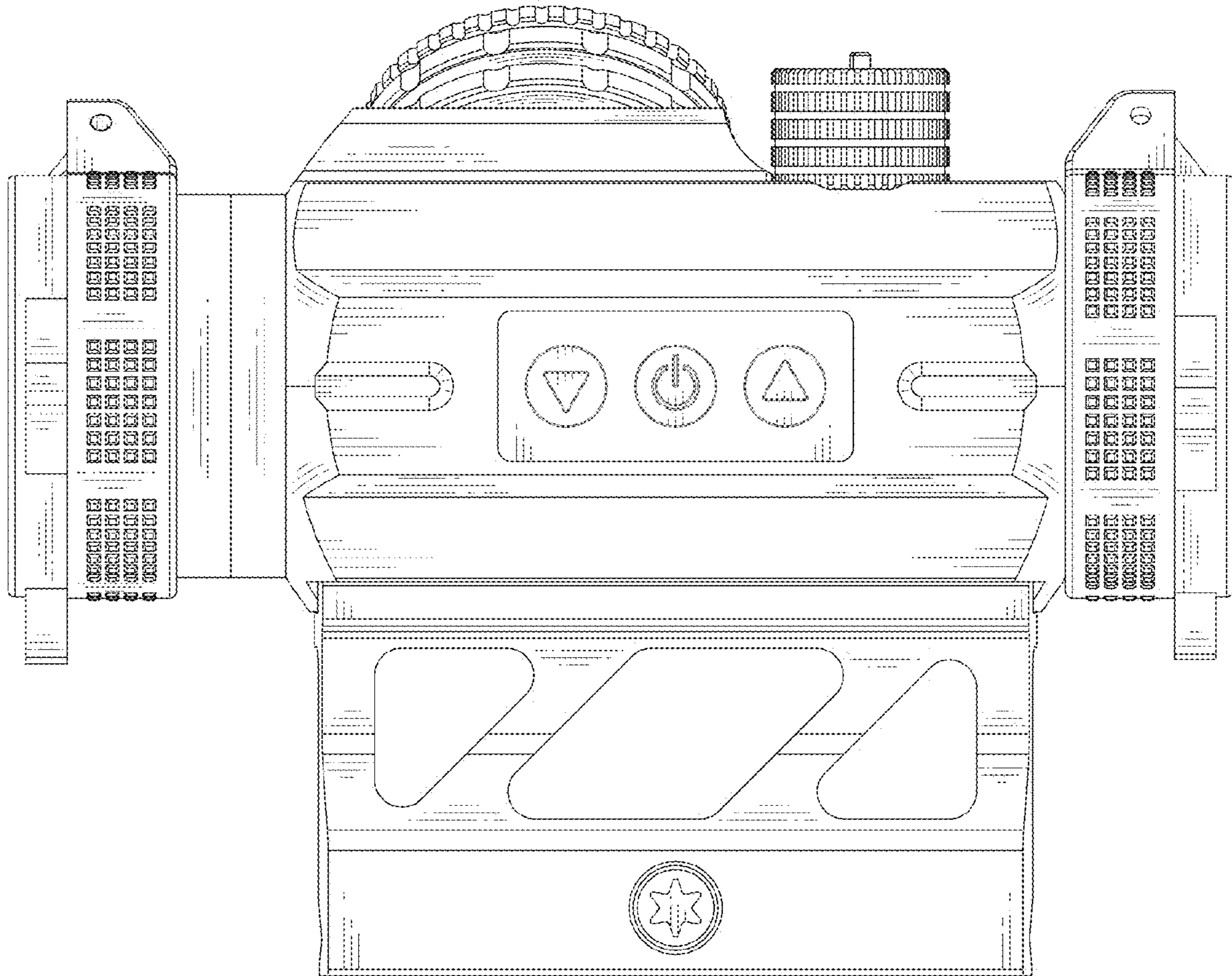


FIG.5

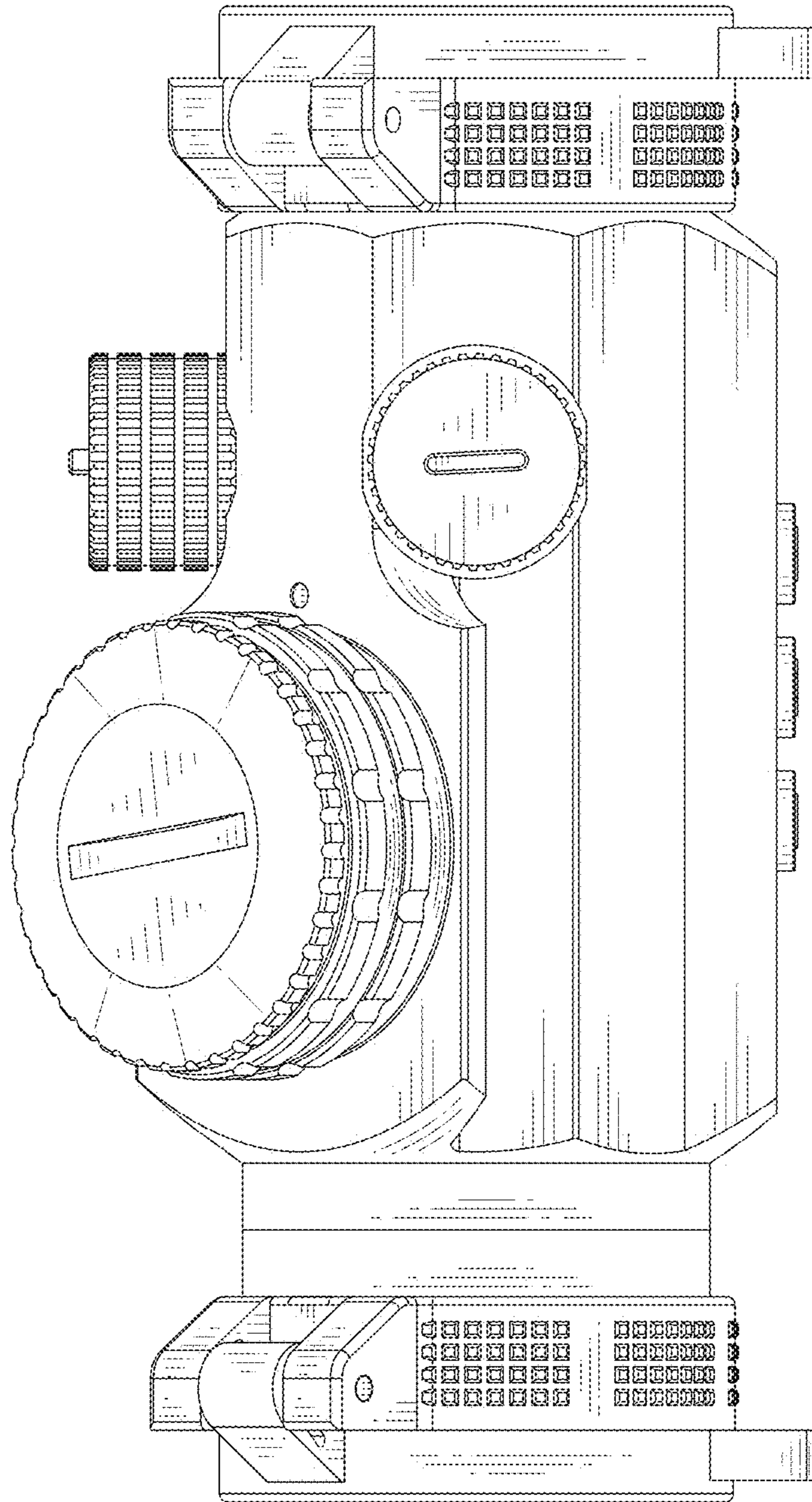


FIG.6

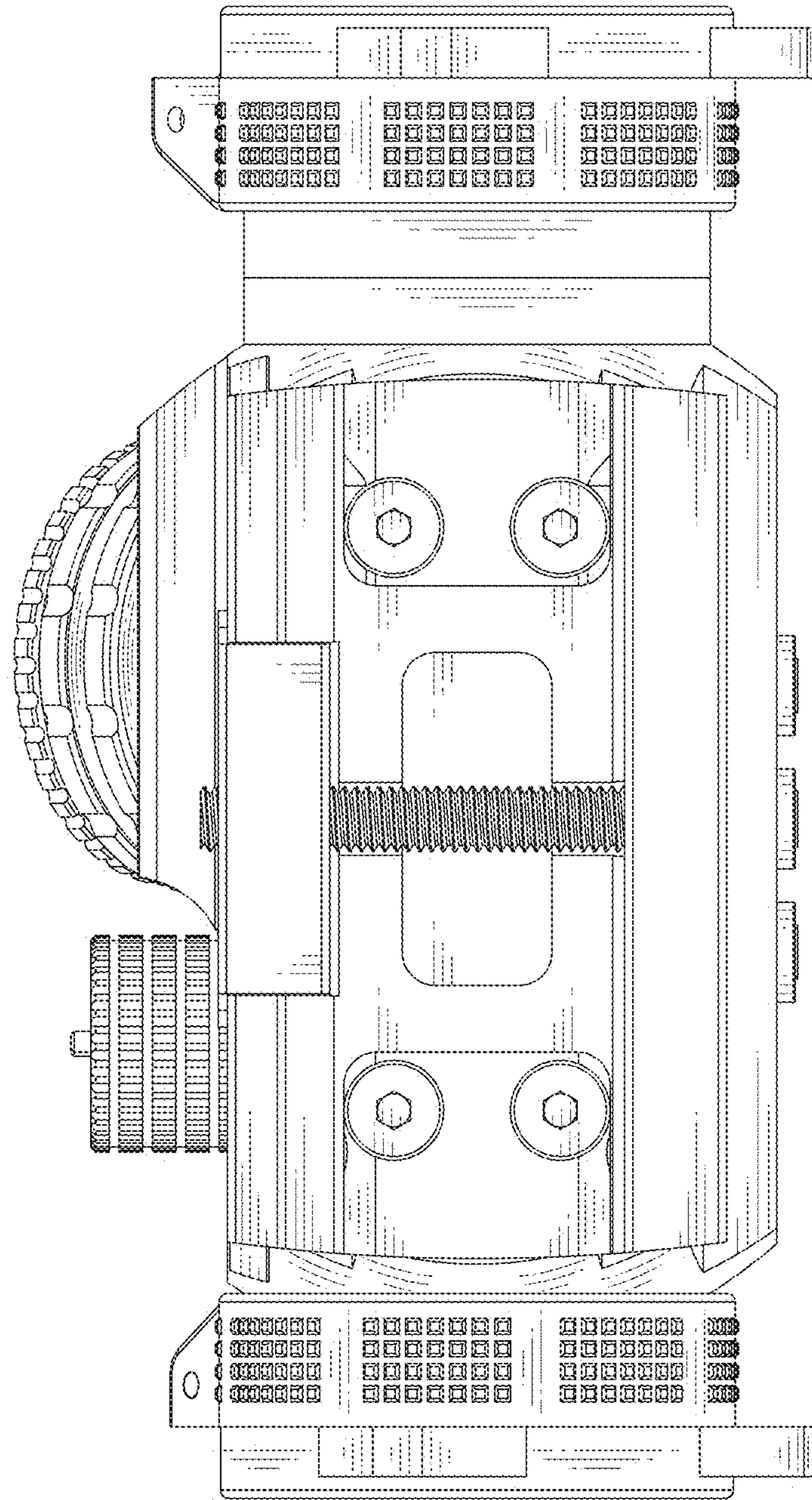


FIG.7



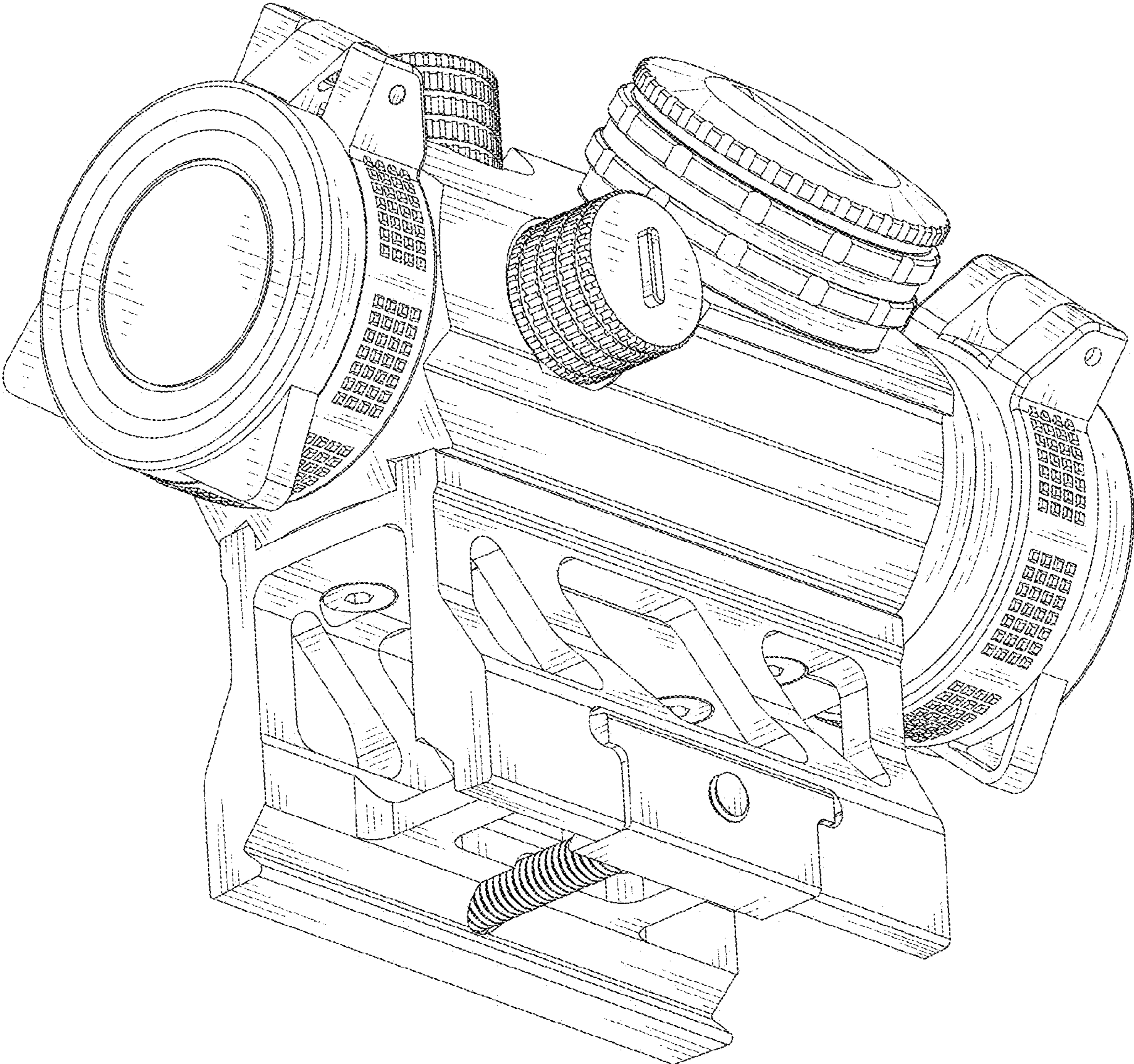


FIG.8

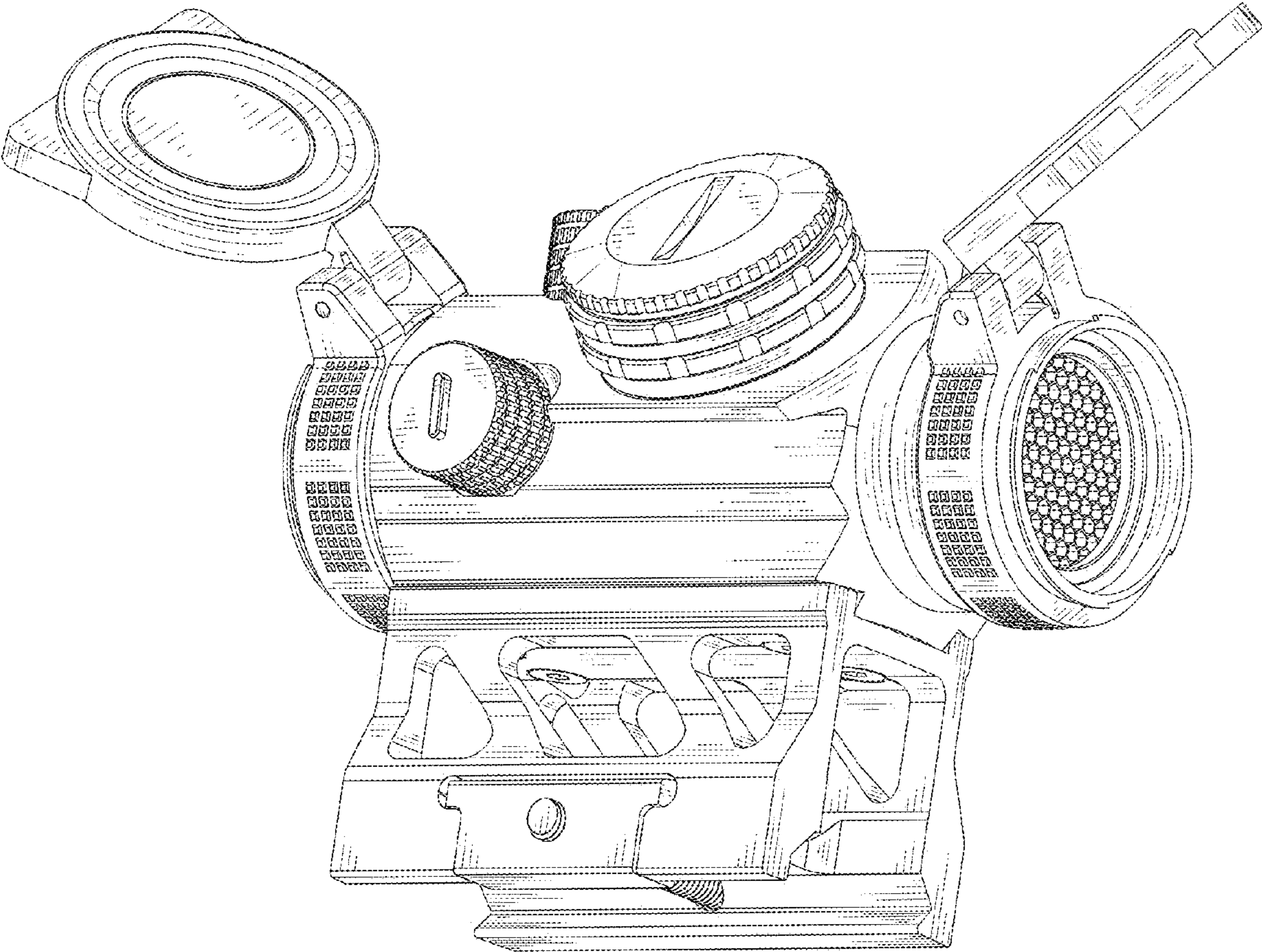


FIG.9