



US00D917650S

(12) **United States Design Patent** (10) **Patent No.:** **US D917,650 S**
Chin (45) **Date of Patent:** **** Apr. 27, 2021**

(54) **FLIP SIGHT**

(71) Applicant: **David Chin**, Irvine, CA (US)

(72) Inventor: **David Chin**, Irvine, CA (US)

(**) Term: **15 Years**

(21) Appl. No.: **29/677,484**

(22) Filed: **Jan. 21, 2019**

(51) **LOC (13) Cl.** **22-01**

(52) **U.S. Cl.**
USPC **D22/109**

(58) **Field of Classification Search**

USPC D22/100, 103, 108, 109, 113, 115, 116,
D22/199; D21/302, 567, 573

CPC F41C 7/00; F41C 23/16; F41G 1/02; F41G
1/027; F41G 1/14; F41J 1/10; F41A
17/38; F42B 6/10; F42B 7/00; F42B 7/02

See application file for complete search history.

(56) **References Cited**

U.S. PATENT DOCUMENTS

D631,124 S *	1/2011	Ballard	D22/109
D635,634 S *	4/2011	Swan	D22/109
D646,746 S *	10/2011	Abbott	D22/109
D647,158 S *	10/2011	Dueck	F41G 11/003 D22/109
D667,520 S *	9/2012	Ballard	D22/109
D721,156 S *	1/2015	Faifer	D22/108
D807,463 S *	1/2018	Warensford	D22/109
D807,464 S *	1/2018	Warensford	D22/109
D820,921 S *	6/2018	Chu	D21/573
D851,203 S *	6/2019	Ding	D22/109
D852,920 S *	7/2019	Ding	D22/109
2009/0241400 A1 *	10/2009	Stumpp	F41G 1/02 42/140
2015/0128471 A1 *	5/2015	Troy	F41G 1/08 42/111

OTHER PUBLICATIONS

“Strike Industries Sidewinder 2 Back-Up Iron Sights” [online].
Hrachya H. [Published on Jun. 6, 2019]. Retrieved from the

Internet: <<https://www.thefirearmblog.com/blog/2019/06/06/strike-industries-sidewinder-2-back-up-iron-sights/>>.*

“Strike Industries SI Sidewinder [. . .]” [online]. Jeff Gurwitch. [Published on Mar. 25, 2017]. Retrieved from the Internet: <<https://www.defensereview.com/strike-industries-si-sidewinder-buis-45-degree-offset-flip-up-back-up-iron-sights-for-tactical-ar-15-carbinesbrs-shooting-video/>>.*

“Best AR-15 Offset Iron Sights” [online]. Brandon Harville. [Published on Feb. 27, 2019]. Retrieved from the Internet: <<https://www.pewpewtactical.com/best-offset-irons/>>.*

* cited by examiner

Primary Examiner — Mojtaba Tehrani

(74) *Attorney, Agent, or Firm* — Kafantaris Law Offices;
Theo Kafantaris

(57) **CLAIM**

I claim the ornamental design for a flip sight, as shown and described.

DESCRIPTION

FIG. 1 is a front elevation view of a flip sight in open position, showing my new design;
FIG. 2 is a left side elevation view thereof;
FIG. 3 is a right side elevation view thereof;
FIG. 4 is a top view thereof;
FIG. 5 is a rear-bottom perspective view thereof;
FIG. 6 is a rear elevation view thereof;
FIG. 7 is a front-top perspective view thereof;
FIG. 8 is a front elevation view of the sight in a folded position;
FIG. 9 is a left side elevation view thereof;
FIG. 10 is a right side elevation view thereof; and,
FIG. 11 is a top view thereof.

The broken lines in the drawings depict unclaimed portions of the flip sight only and form no part of the claimed design.

1 Claim, 6 Drawing Sheets

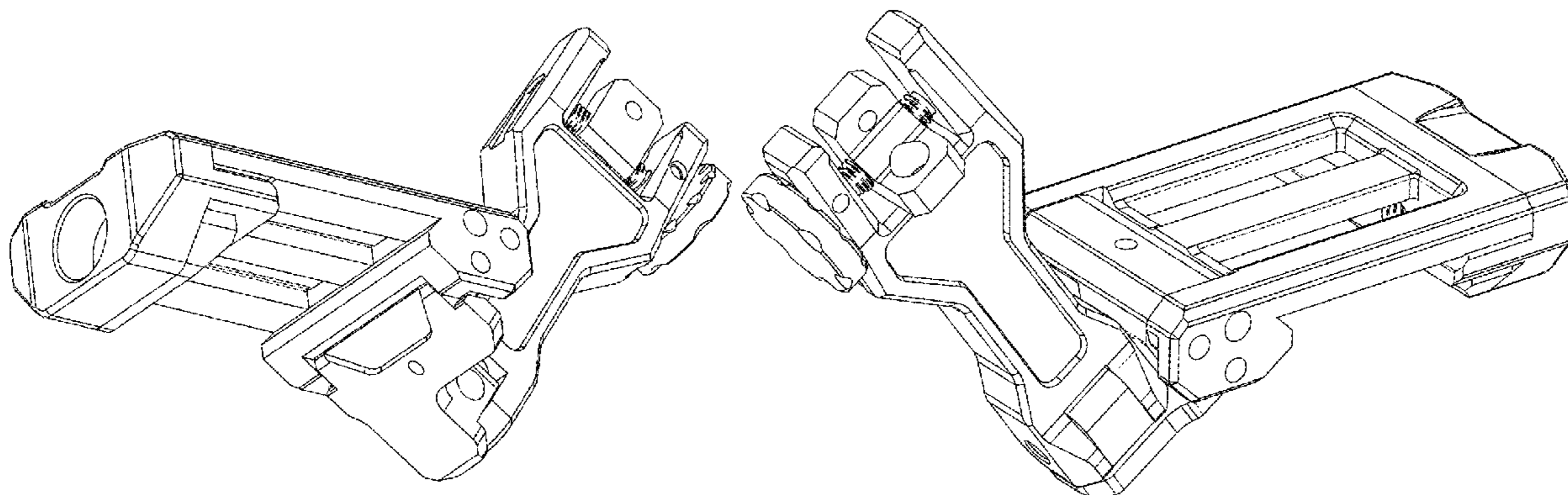


FIG. 1

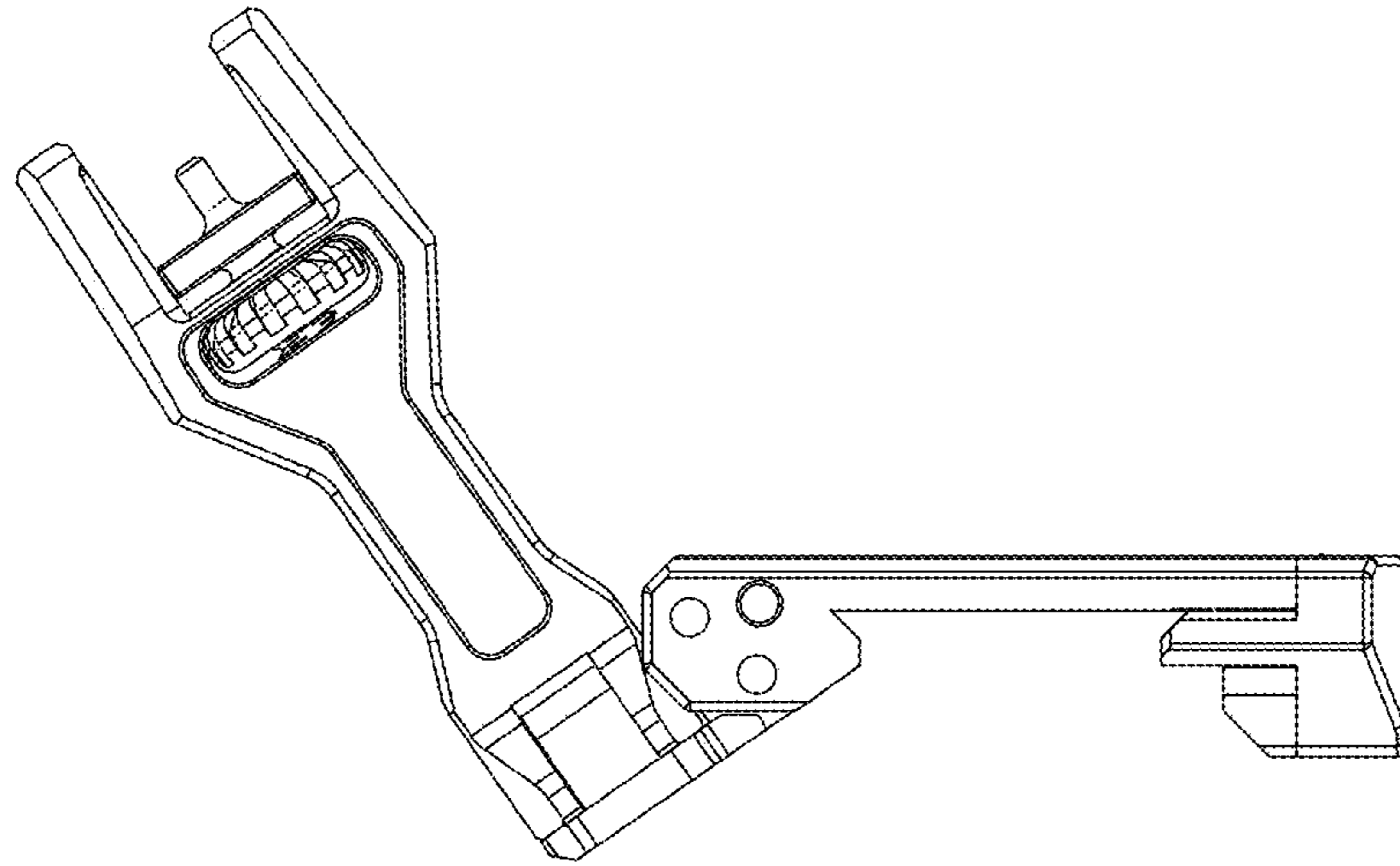


FIG. 2

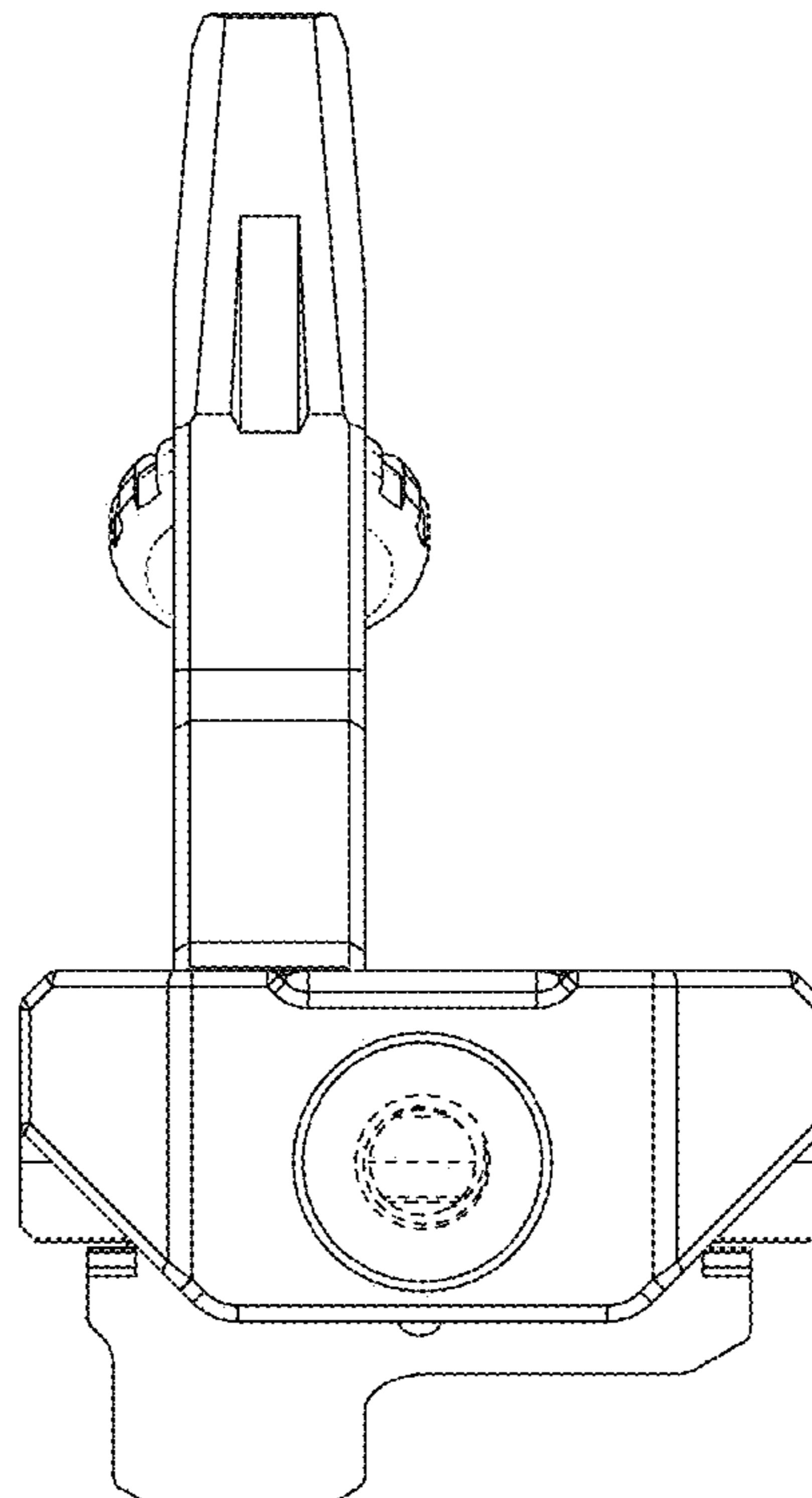


FIG. 3

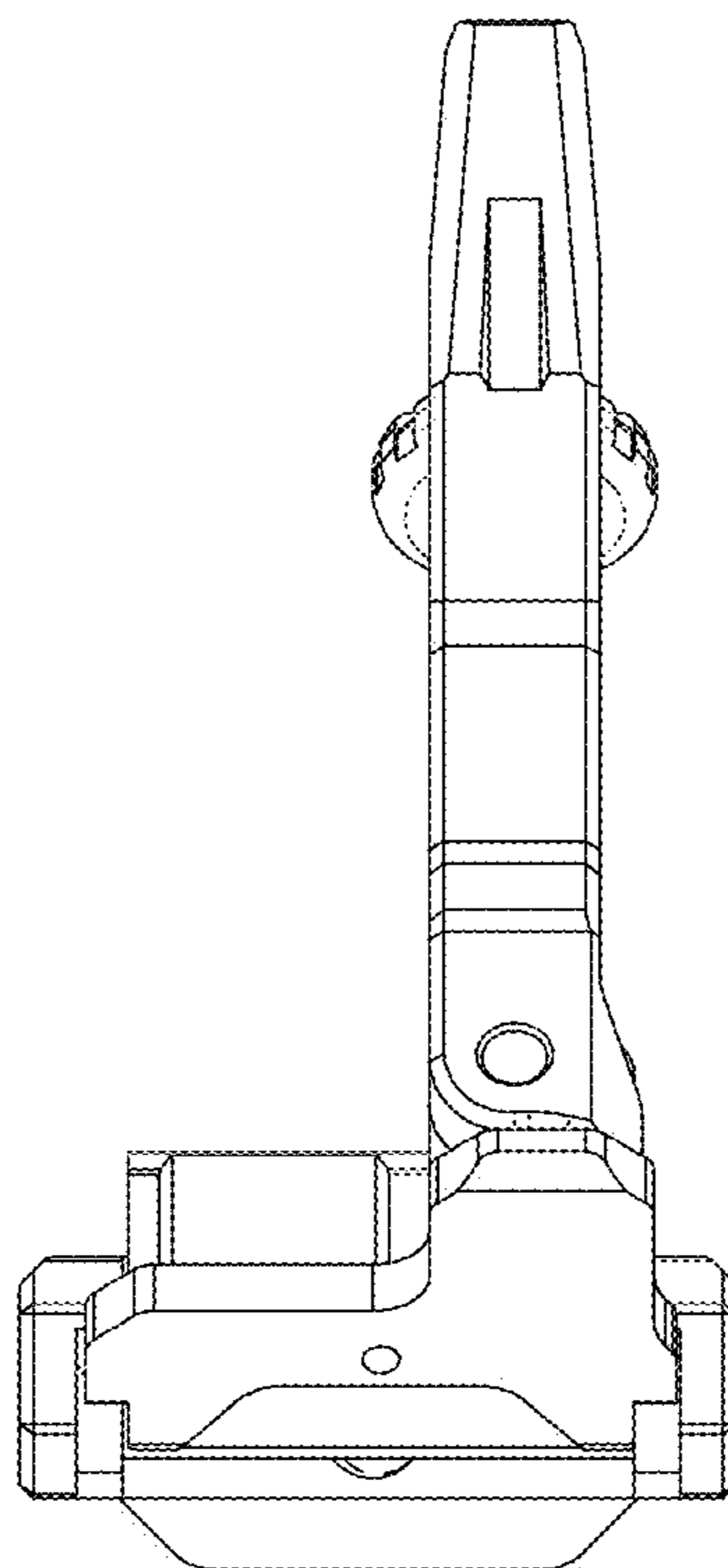


FIG. 4

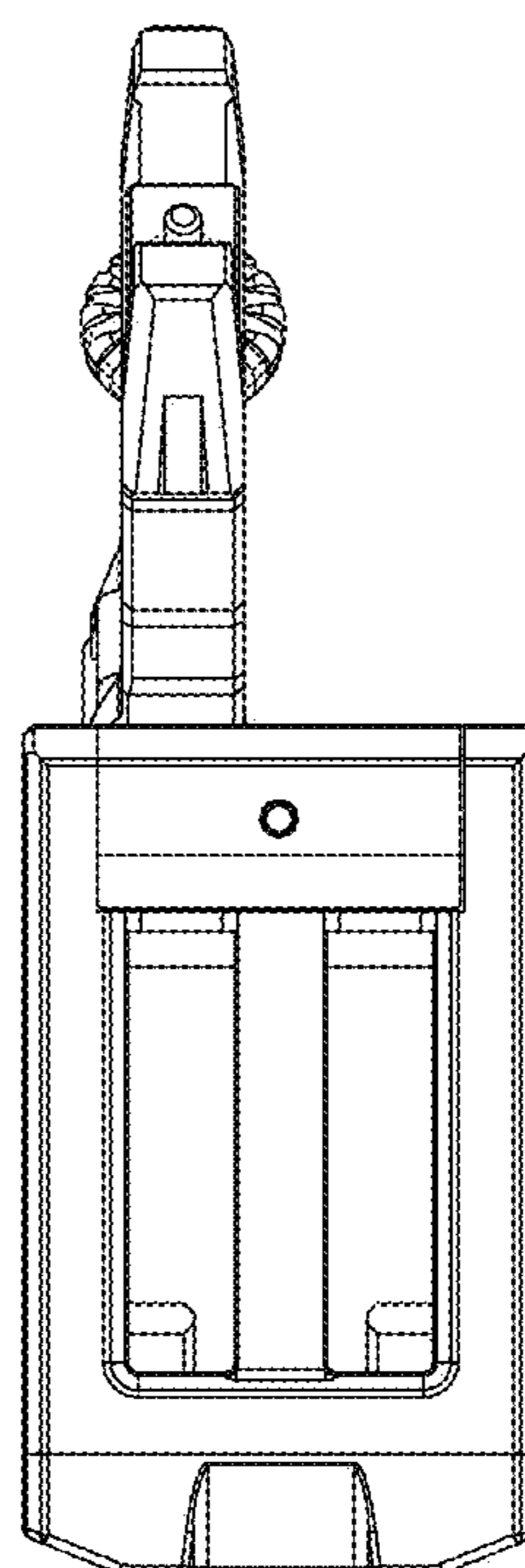


FIG. 5

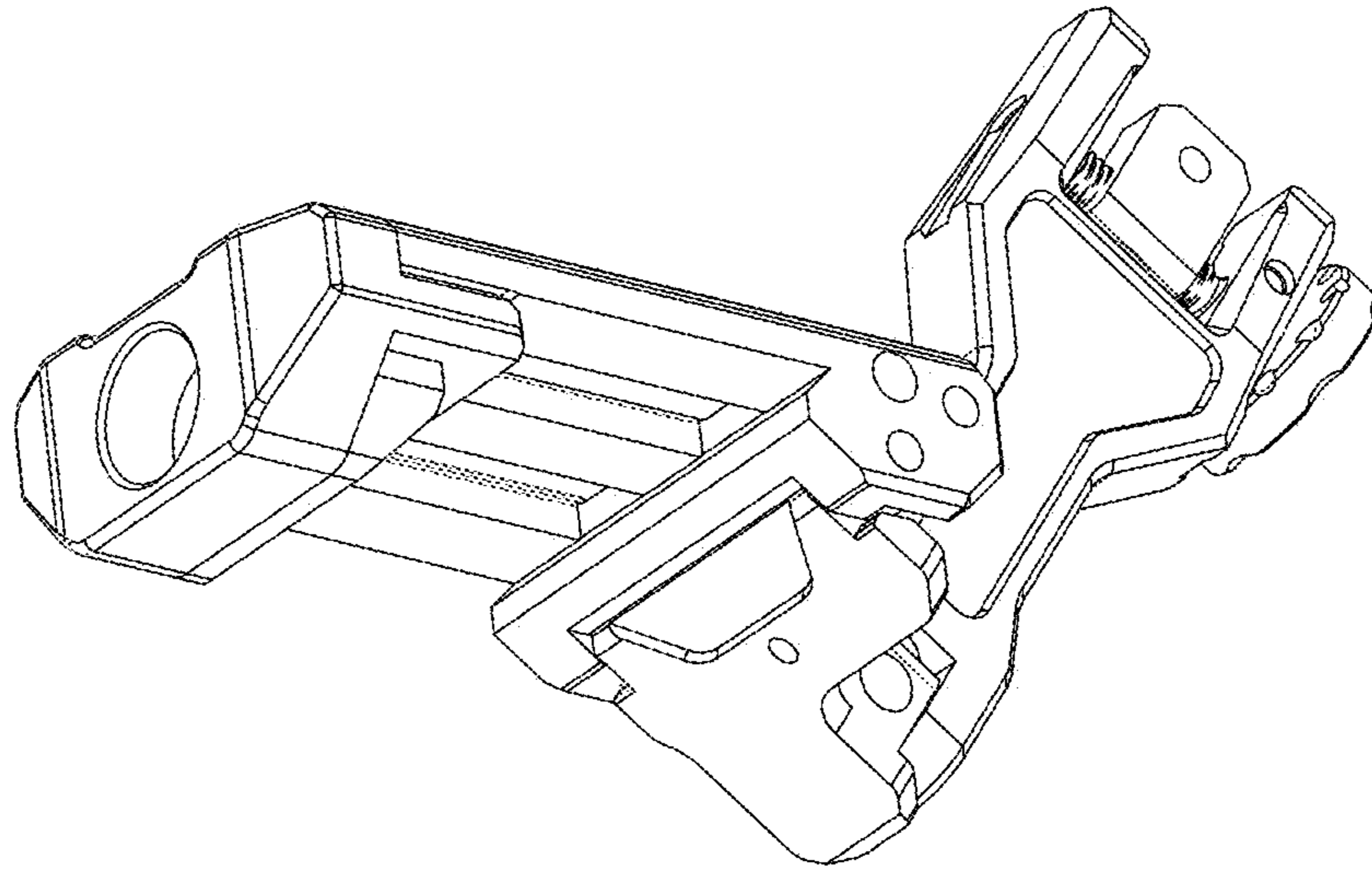


FIG. 6

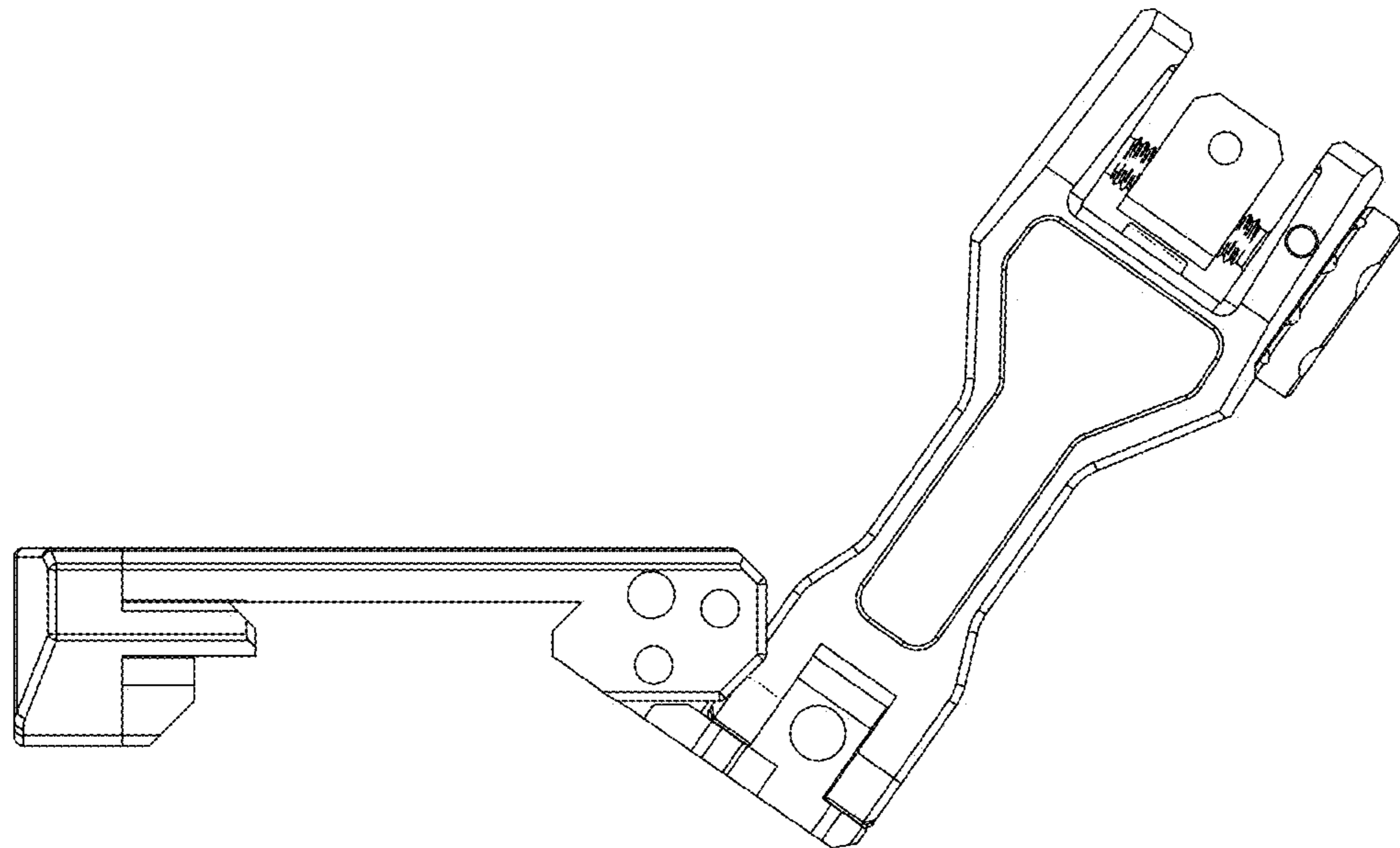


FIG. 7

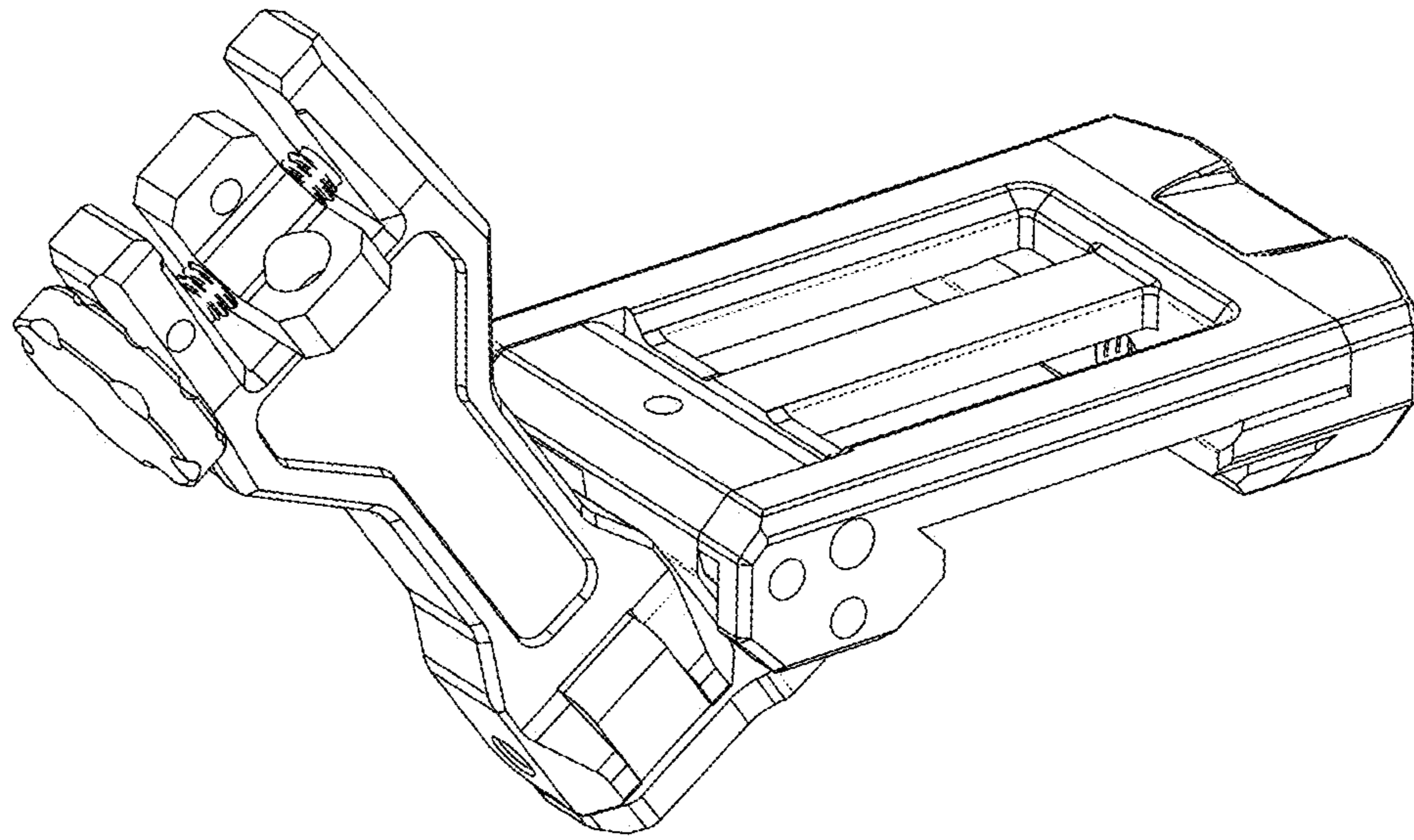


FIG. 8

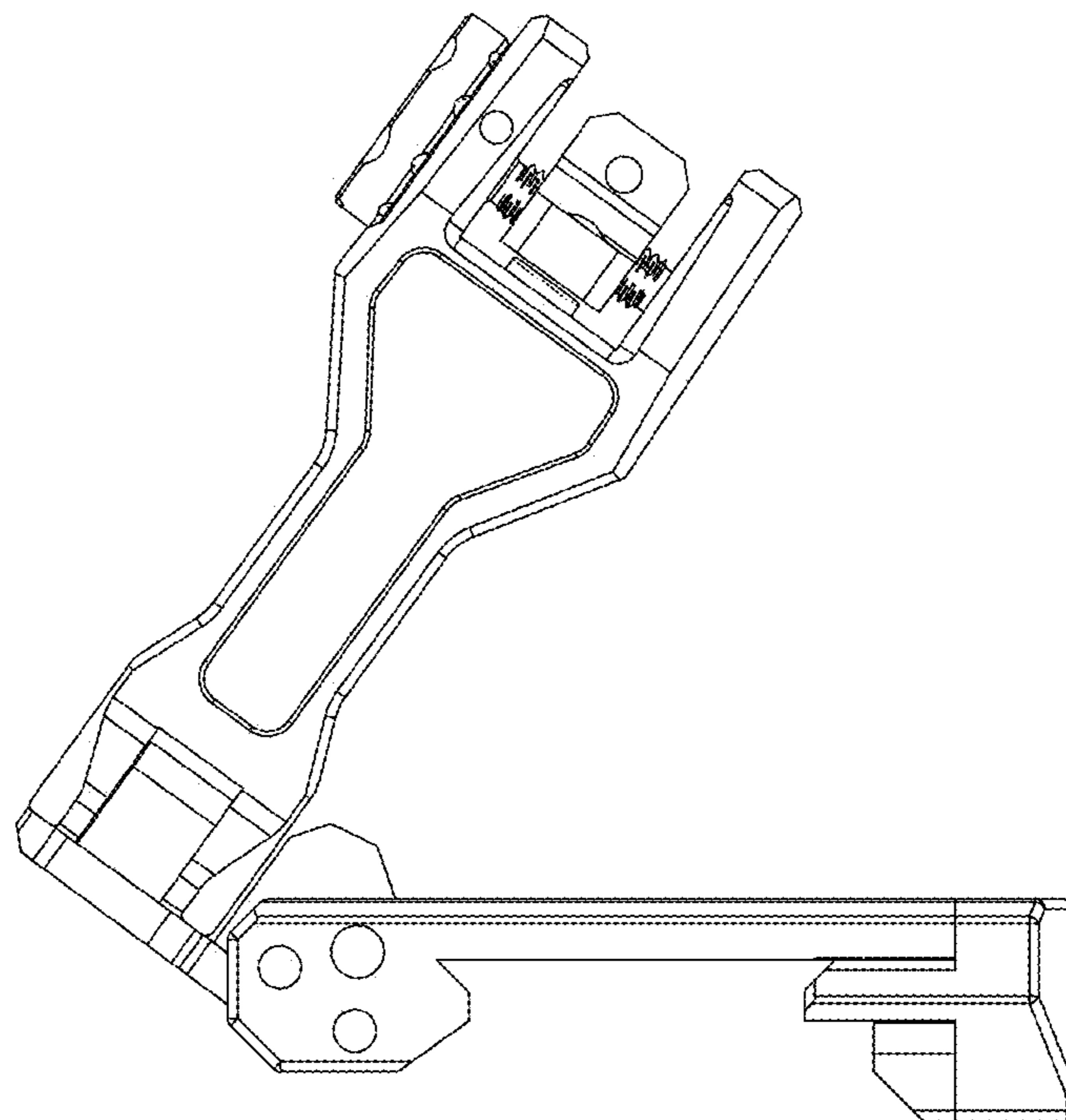


FIG. 9

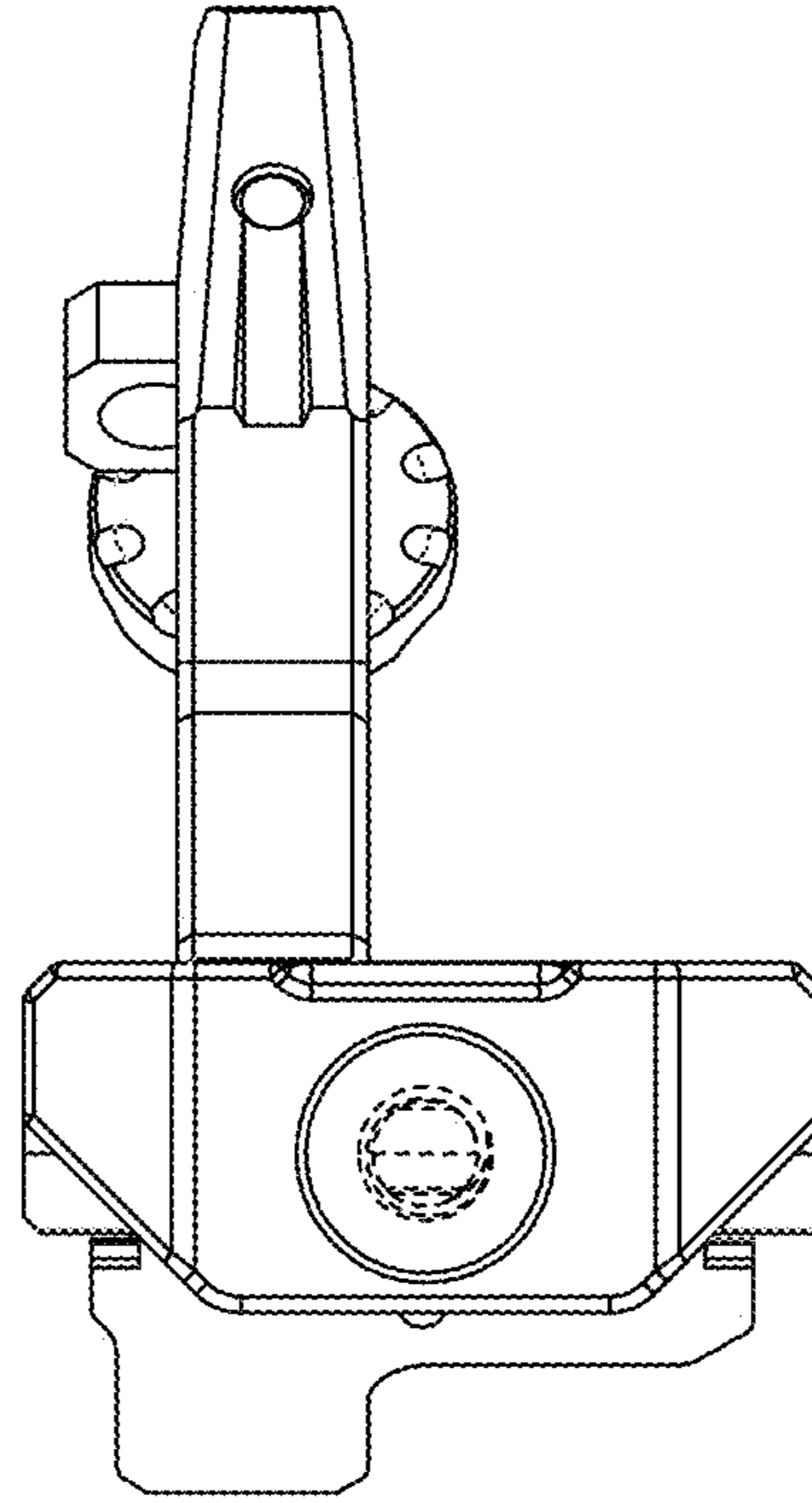


FIG. 10

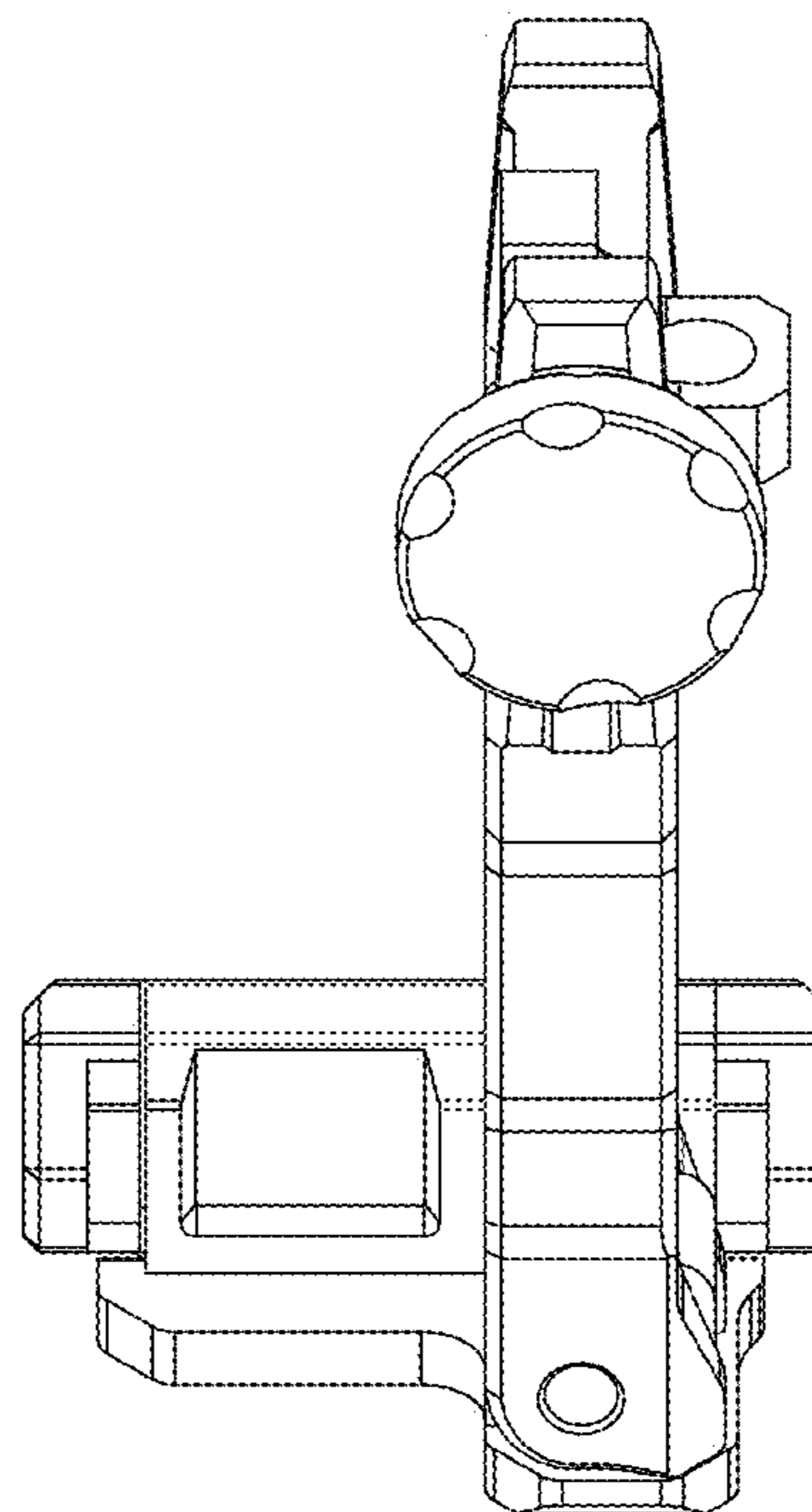


FIG. 11

