



US00D917648S

(12) **United States Design Patent** (10) **Patent No.:** **US D917,648 S**
Muska (45) **Date of Patent:** **** Apr. 27, 2021**

(54) **SHOTGUN**

(71) Applicant: **Smith & Wesson Inc.**, Springfield, MA (US)

(72) Inventor: **Simon M. Muska**, Enfield, CT (US)

(73) Assignee: **Smith & Wesson Inc.**, Springfield, MA (US)

(**) Term: **15 Years**

(21) Appl. No.: **29/717,342**

(22) Filed: **Dec. 17, 2019**

(51) **LOC (13) Cl.** **22-01**

(52) **U.S. Cl.**
USPC **D22/103**

(58) **Field of Classification Search**
USPC D22/100, 101, 103, 104, 105; D21/567, D21/570, 573, 574, 575
CPC F41C 3/00; F41C 7/00
See application file for complete search history.

(56) **References Cited**

U.S. PATENT DOCUMENTS

D251,979 S	5/1979	Hance	
D285,234 S *	8/1986	Swearengen	D22/100
D290,153 S	6/1987	Reaume	
D303,418 S	9/1989	Miller et al.	
D547,818 S	7/2007	Wolfe	
7,299,737 B2 *	11/2007	Hajjar	F41A 3/46 89/180
D611,111 S *	3/2010	Hajjar	D22/103
D665,042 S *	8/2012	Kellgren	D22/103
D693,420 S	11/2013	Abbott et al.	
D715,882 S	10/2014	Jonker	
D719,631 S	12/2014	Ferko	
D723,128 S	2/2015	Hu	
D729,893 S *	5/2015	Foster	D22/103
D745,102 S	12/2015	Young et al.	
D745,103 S *	12/2015	Corsi	D22/103
D745,943 S	12/2015	Geissele	

(Continued)

OTHER PUBLICATIONS

“Bullpup shotgun shootout: UTAS UTS15 vs. Keltec KSG” [online]. Oleg Volk. [Published on Jul. 22, 2013]. Retrieved from the

Internet: <<https://www.alloutdoor.com/2013/07/22/uts15-vs-ksg/>>.*

(Continued)

Primary Examiner — Mojtaba Tehrani

(74) *Attorney, Agent, or Firm* — John A. Chionchio, Esq.; Ballard Spahr LLP

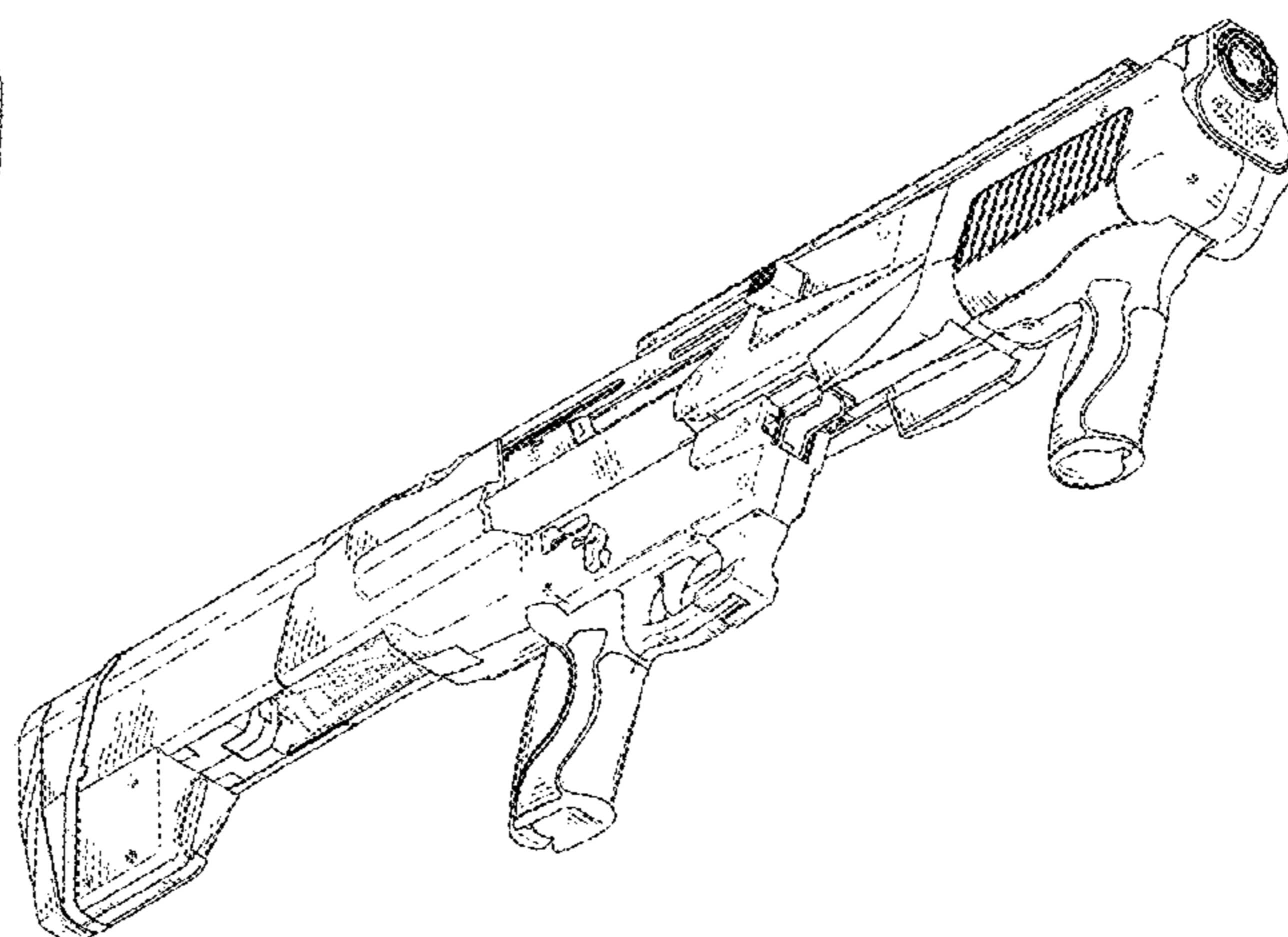
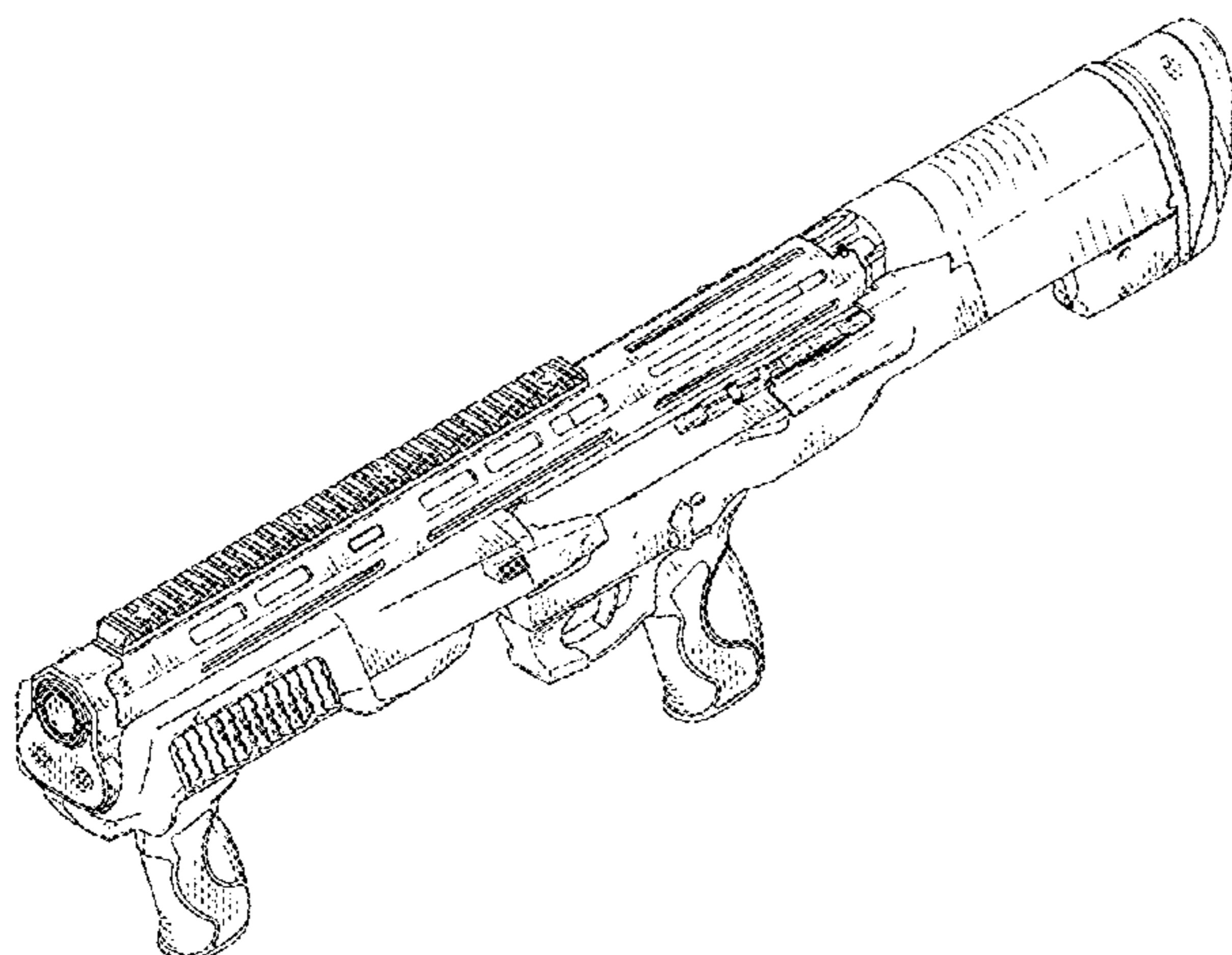
(57) **CLAIM**

I claim the ornamental design for a shotgun, as shown and described.

DESCRIPTION

FIG. 1 is a left side isometric view, from above, of the first embodiment of a shotgun according to the invention; FIG. 2 is a top view thereof; FIG. 3 is a bottom view thereof; FIG. 4 is a left side view thereof; FIG. 5 is a right side view thereof; FIG. 6 is a front view thereof; FIG. 7 is a rear view thereof; FIG. 8 is a right side isometric view thereof from below; FIG. 9 is a left side isometric view, from above, of the second embodiment of a shotgun according to the invention; FIG. 10 is a top view thereof; FIG. 11 is a bottom view thereof; FIG. 12 is a left side view thereof; FIG. 13 is a right side view thereof; FIG. 14 is a front view thereof; FIG. 15 is a rear view thereof; and, FIG. 16 is a right side isometric view thereof from below. The broken lines in the figures form no part of the claimed design.

1 Claim, 12 Drawing Sheets



(56)

References Cited

U.S. PATENT DOCUMENTS

D749,181 S 2/2016 Hu
D750,722 S 3/2016 Young et al.
D769,394 S 10/2016 Young et al.
9,534,861 B1 * 1/2017 Kellgren F41A 21/48
D779,012 S * 2/2017 Abbott D22/103
D787,619 S 5/2017 Young et al.
D814,591 S 4/2018 Kocgur et al.
D892,964 S * 8/2020 Williams D22/108
2020/0378709 A1 * 12/2020 Muska F41C 7/02

OTHER PUBLICATIONS

“DP-12—Double-Barrel Bullpup Shotgun by LAV” [online]. Nathan S. [Published on Oct. 5, 2015]. Retrieved from the Internet: <<https://www.thefirearmblog.com/blog/2015/10/05/dp-12-double-barrel-bullpup-shotgun-by-lav/>>.*

* cited by examiner

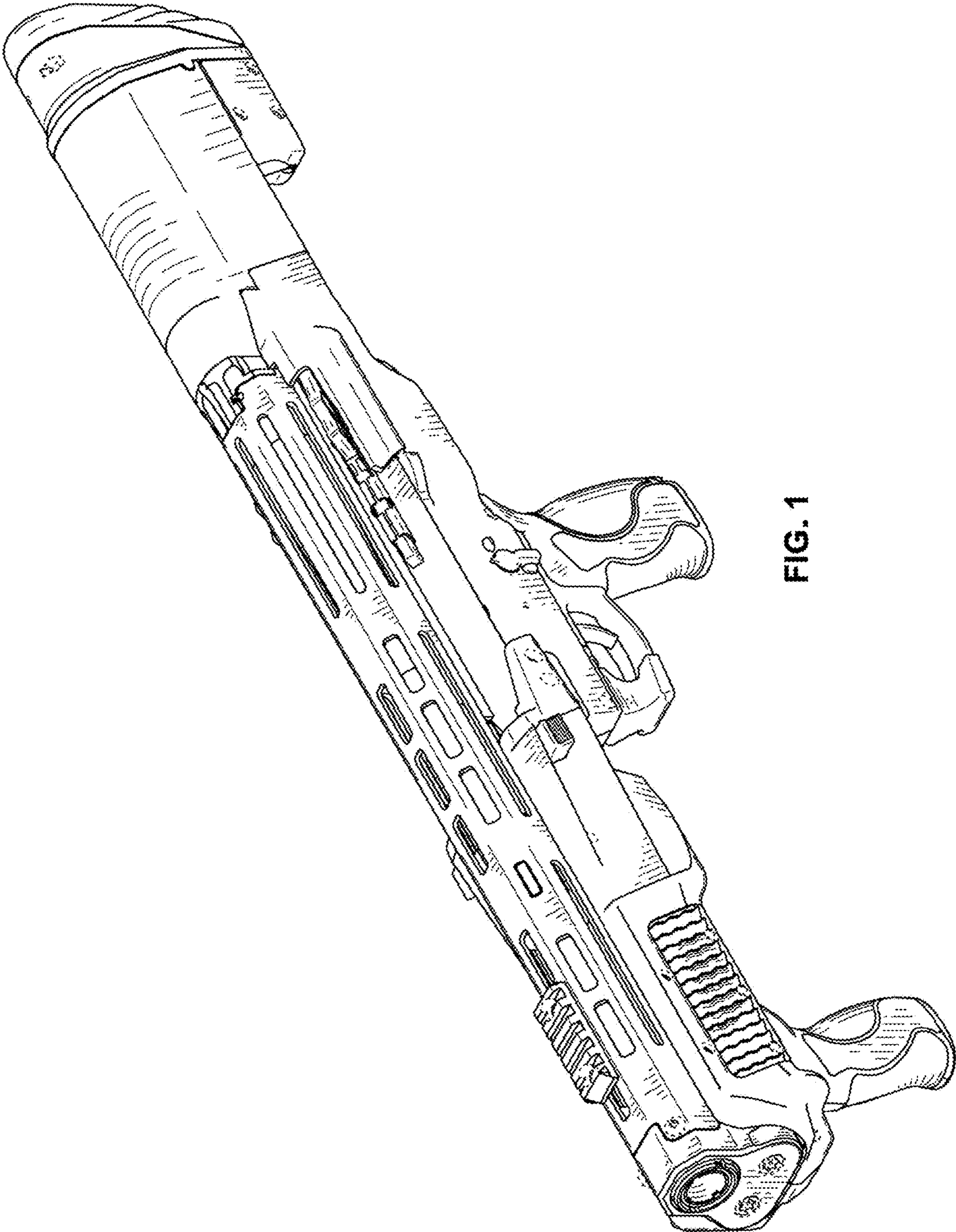


FIG. 1

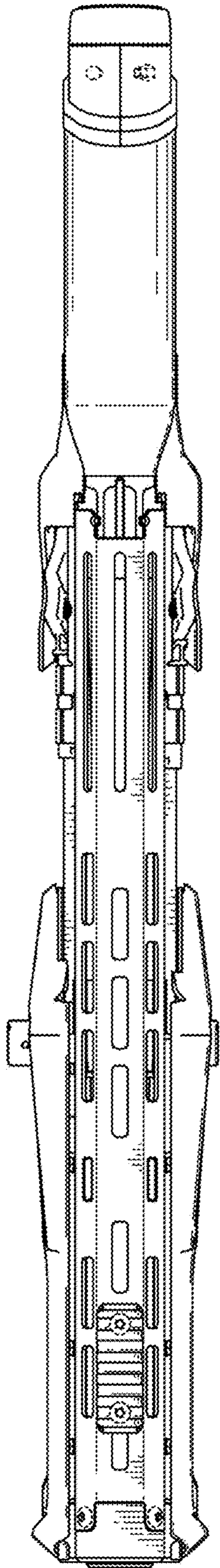


FIG. 2

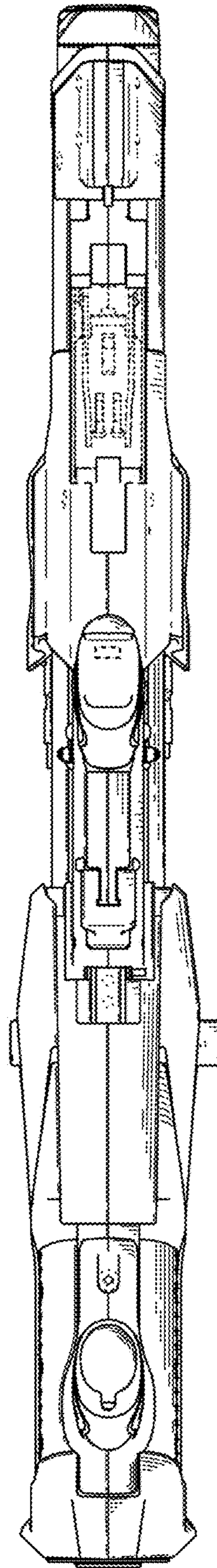


FIG. 3

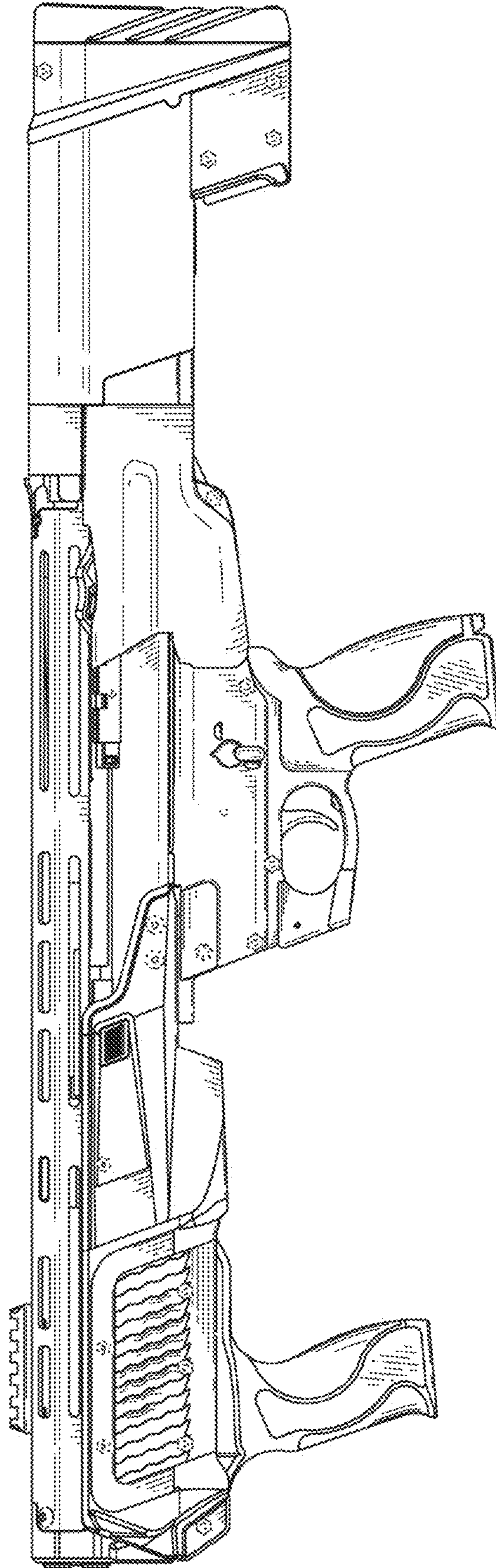


FIG. 4

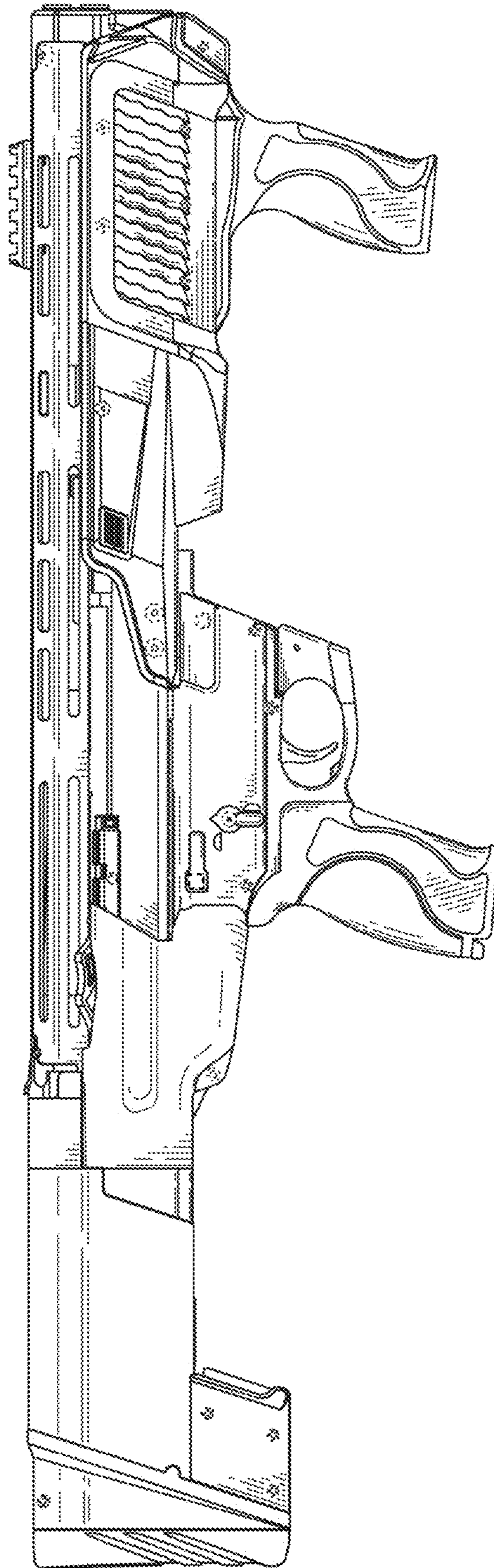


FIG. 5

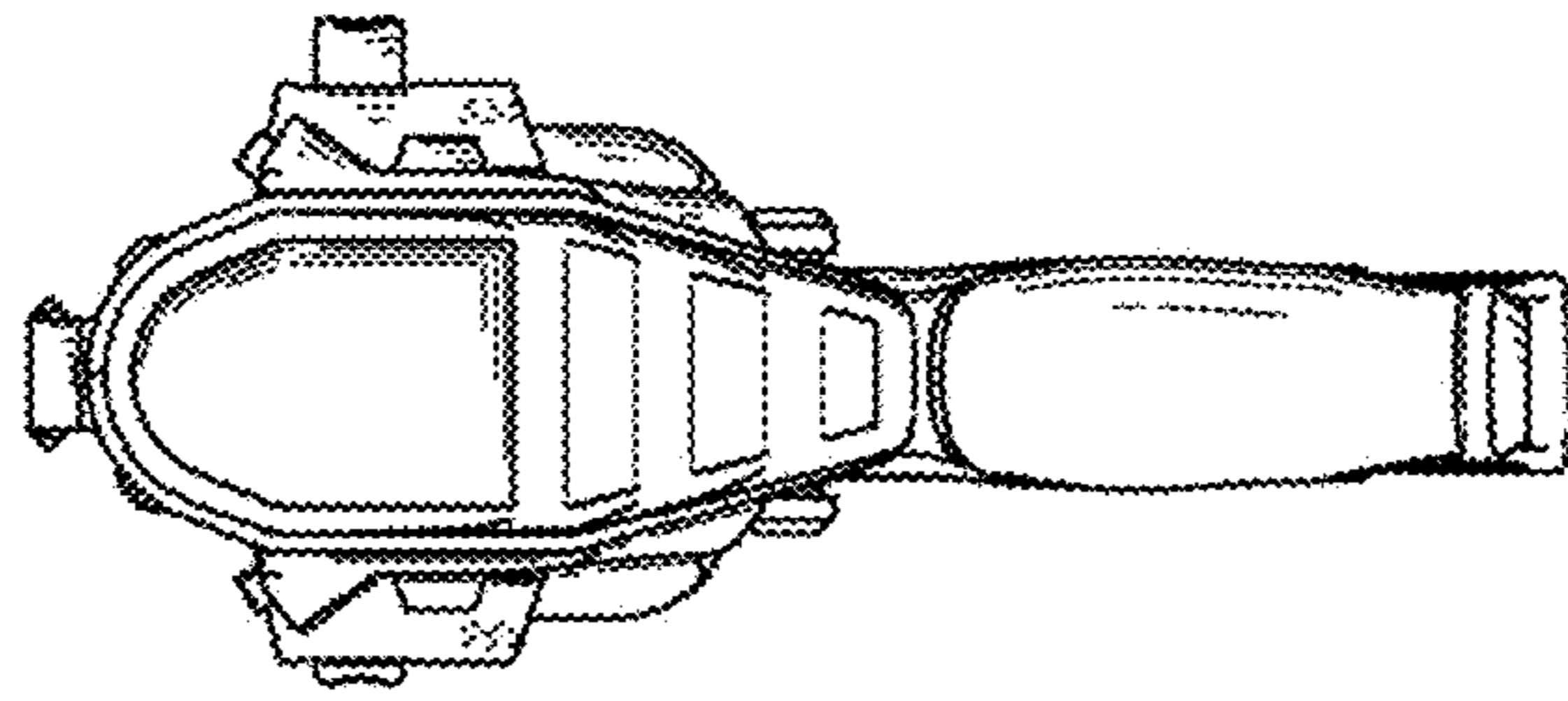


FIG. 7

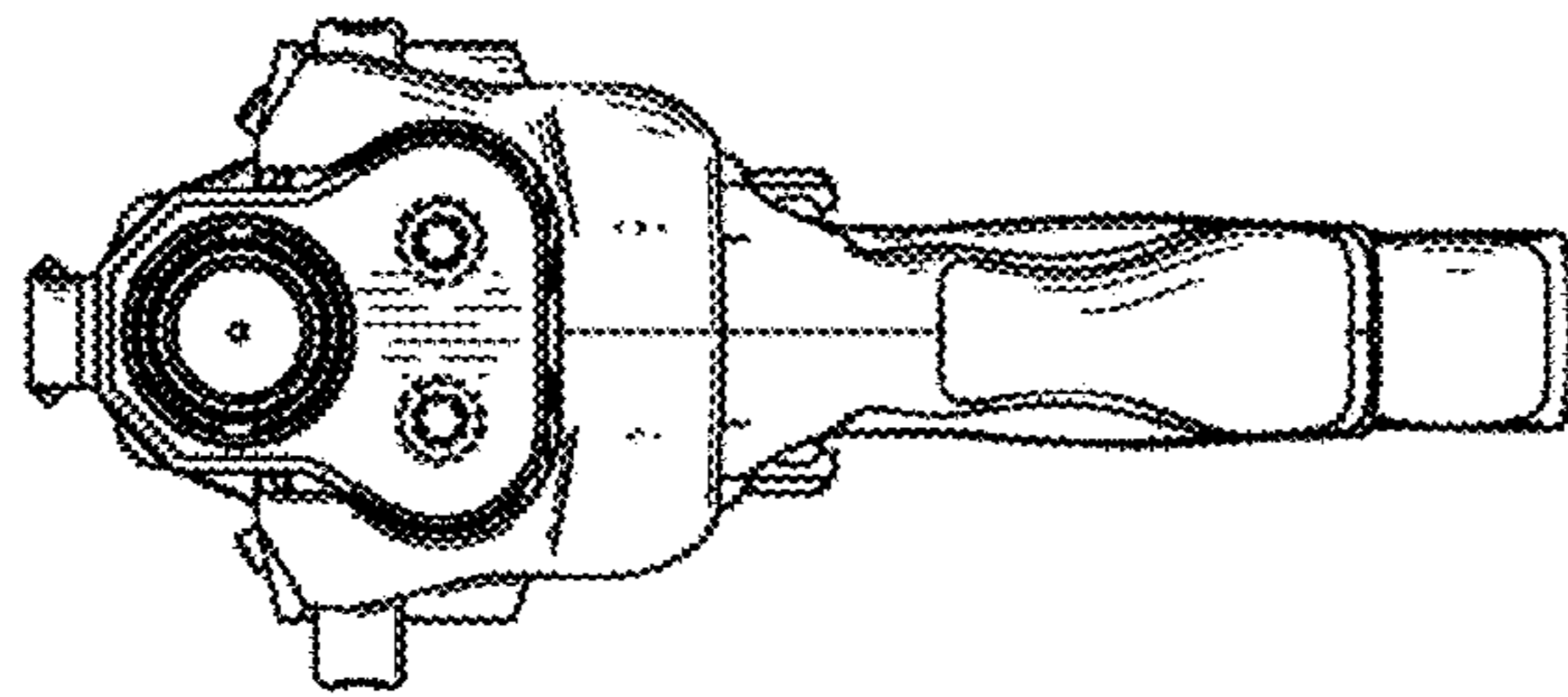


FIG. 6

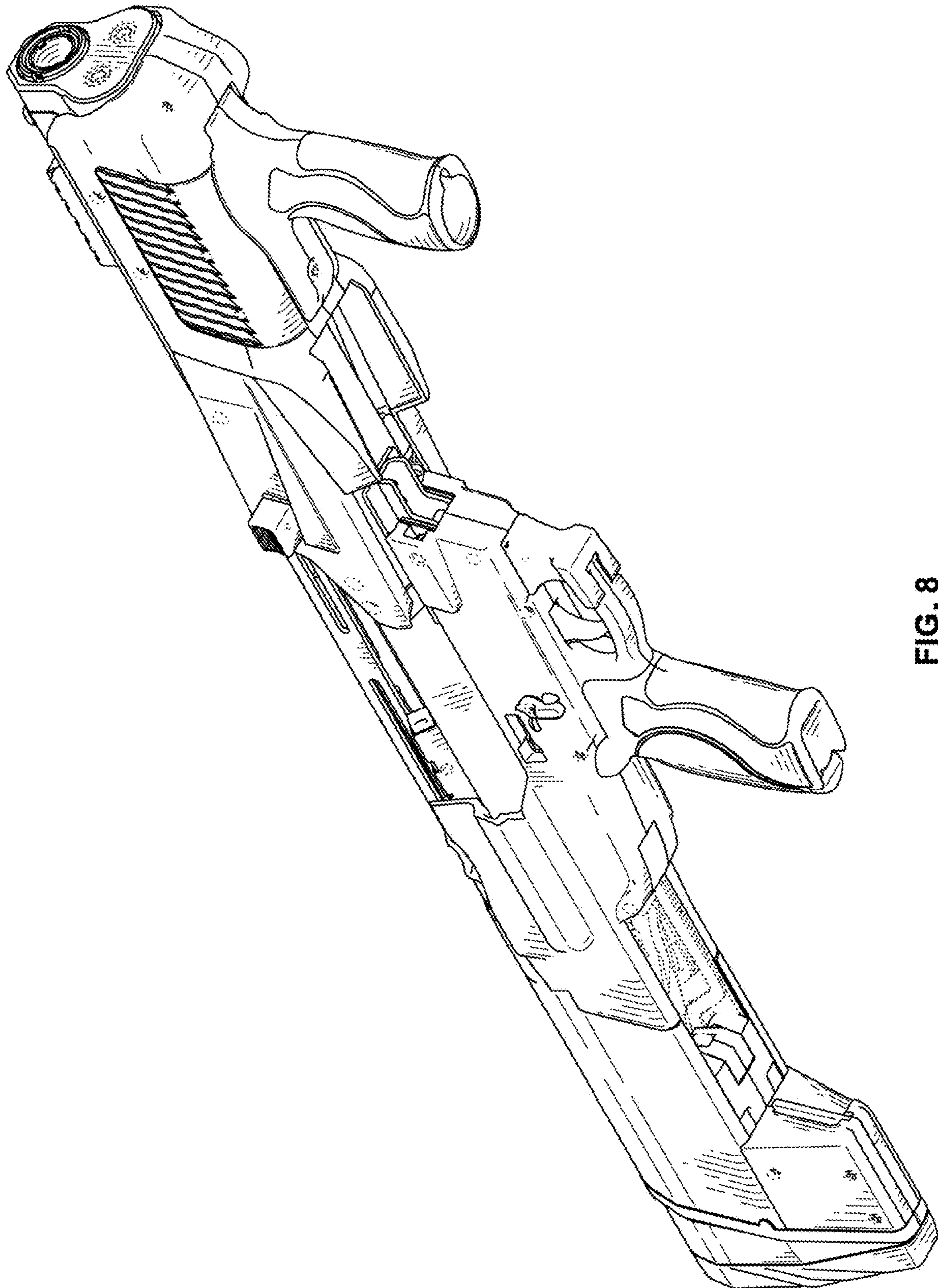


FIG. 8

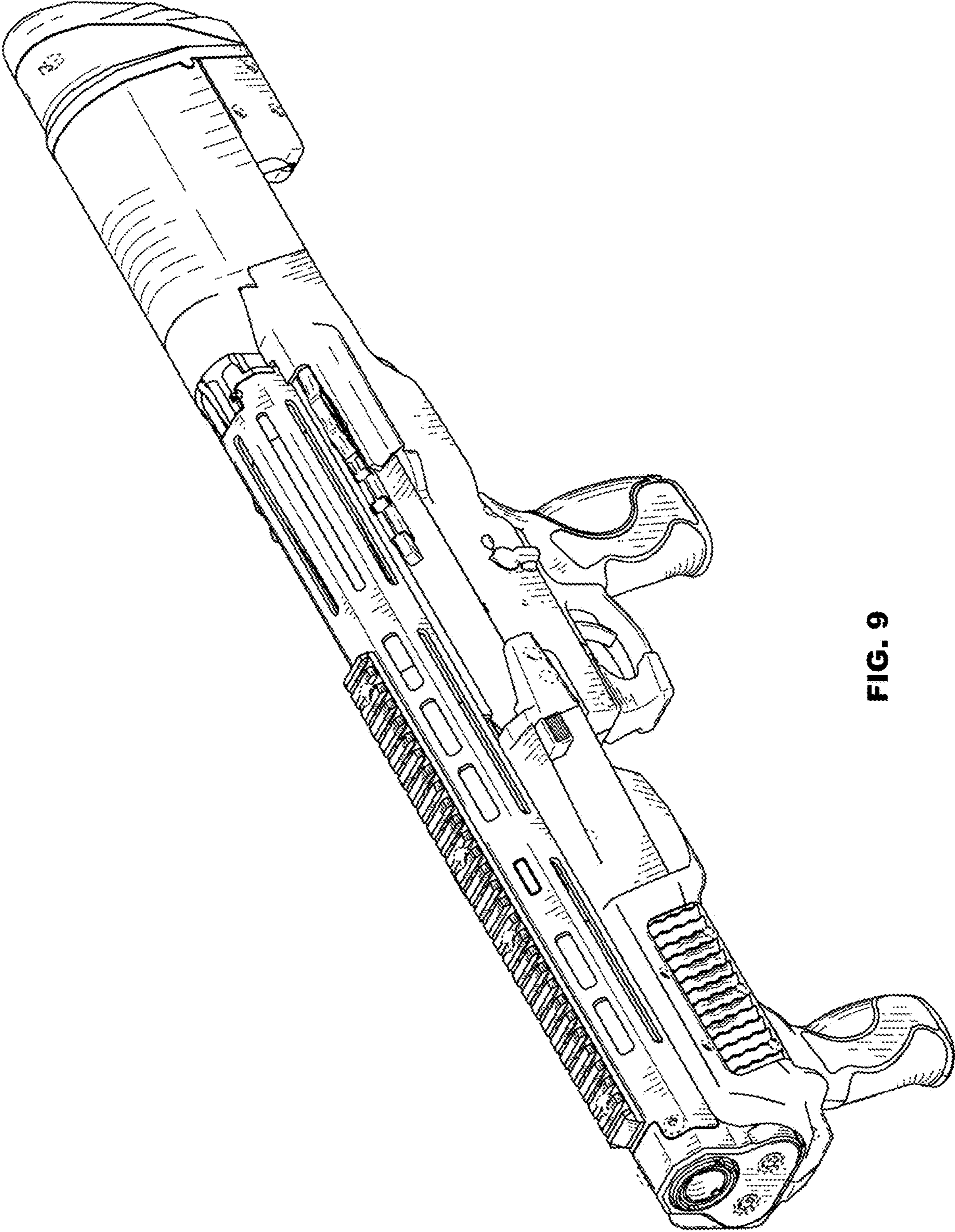


FIG. 9

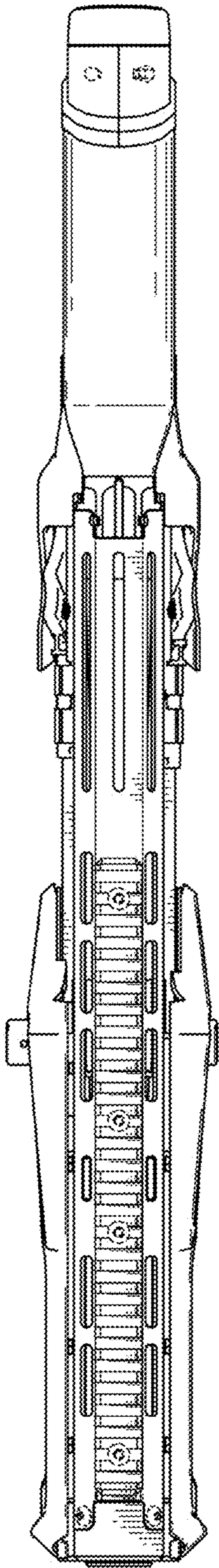


FIG. 10

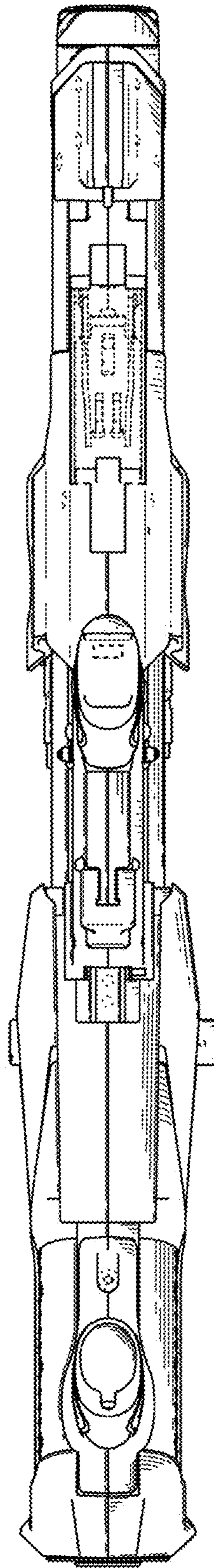


FIG. 11

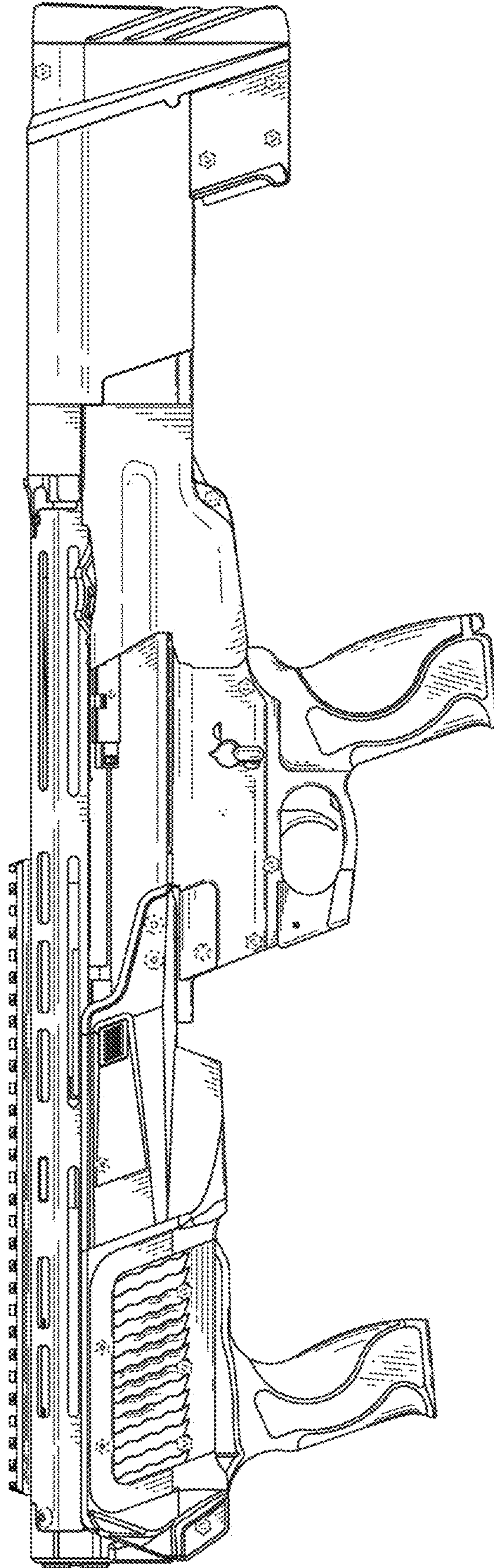


FIG. 12

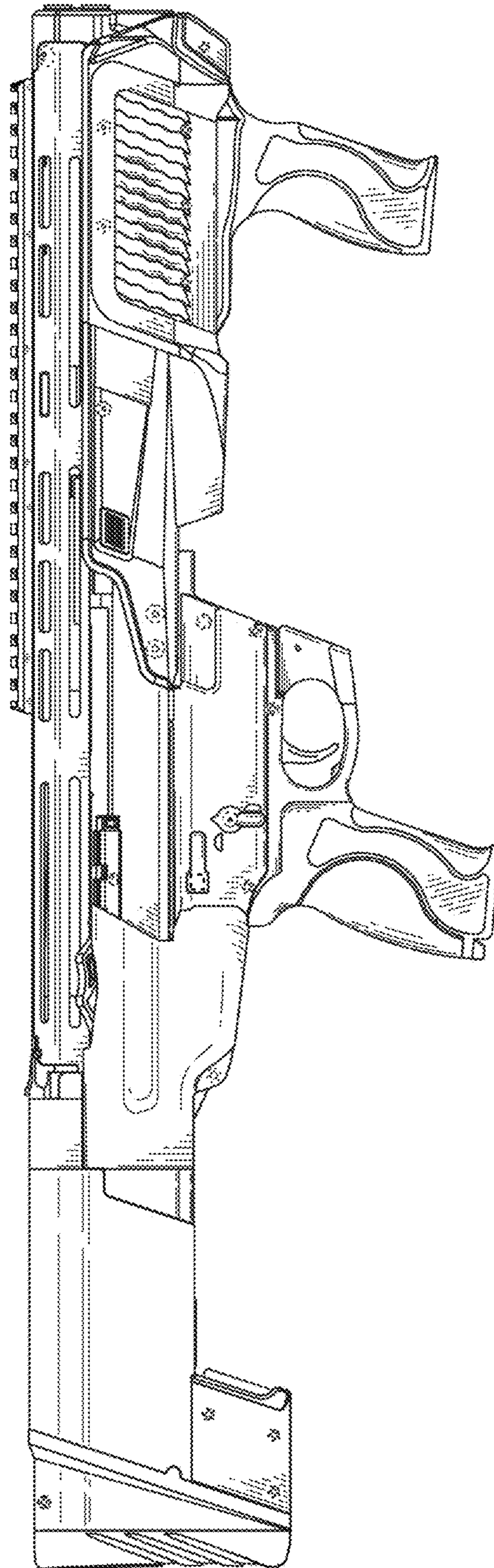


FIG. 13

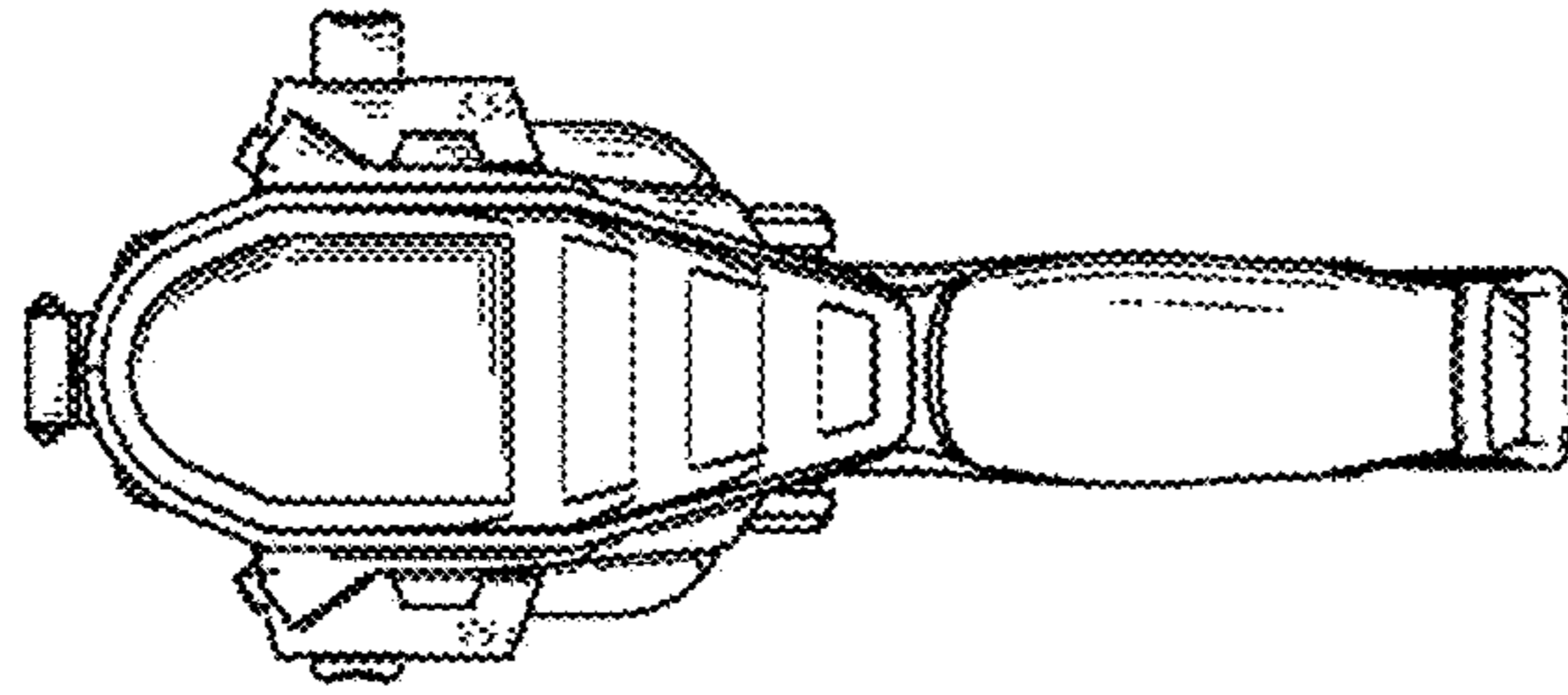


FIG. 15

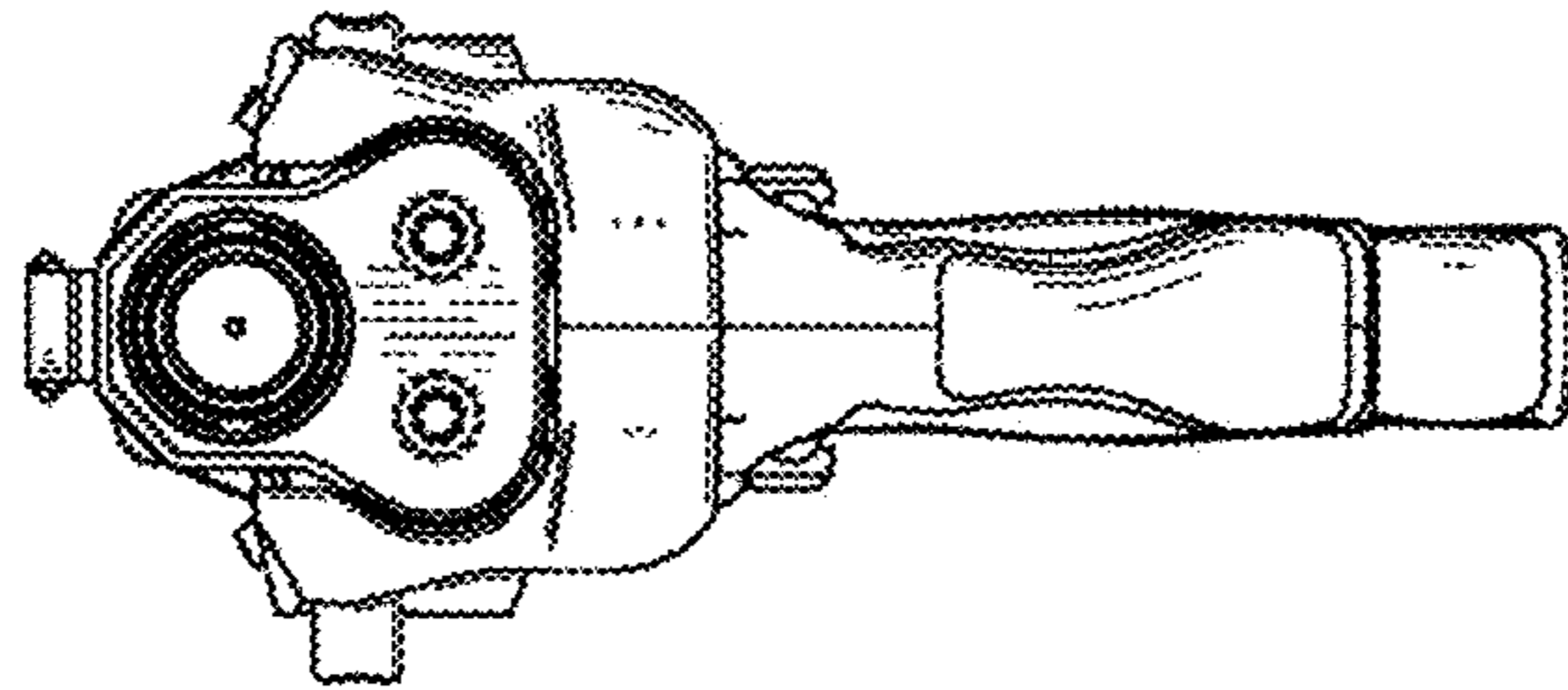


FIG. 14

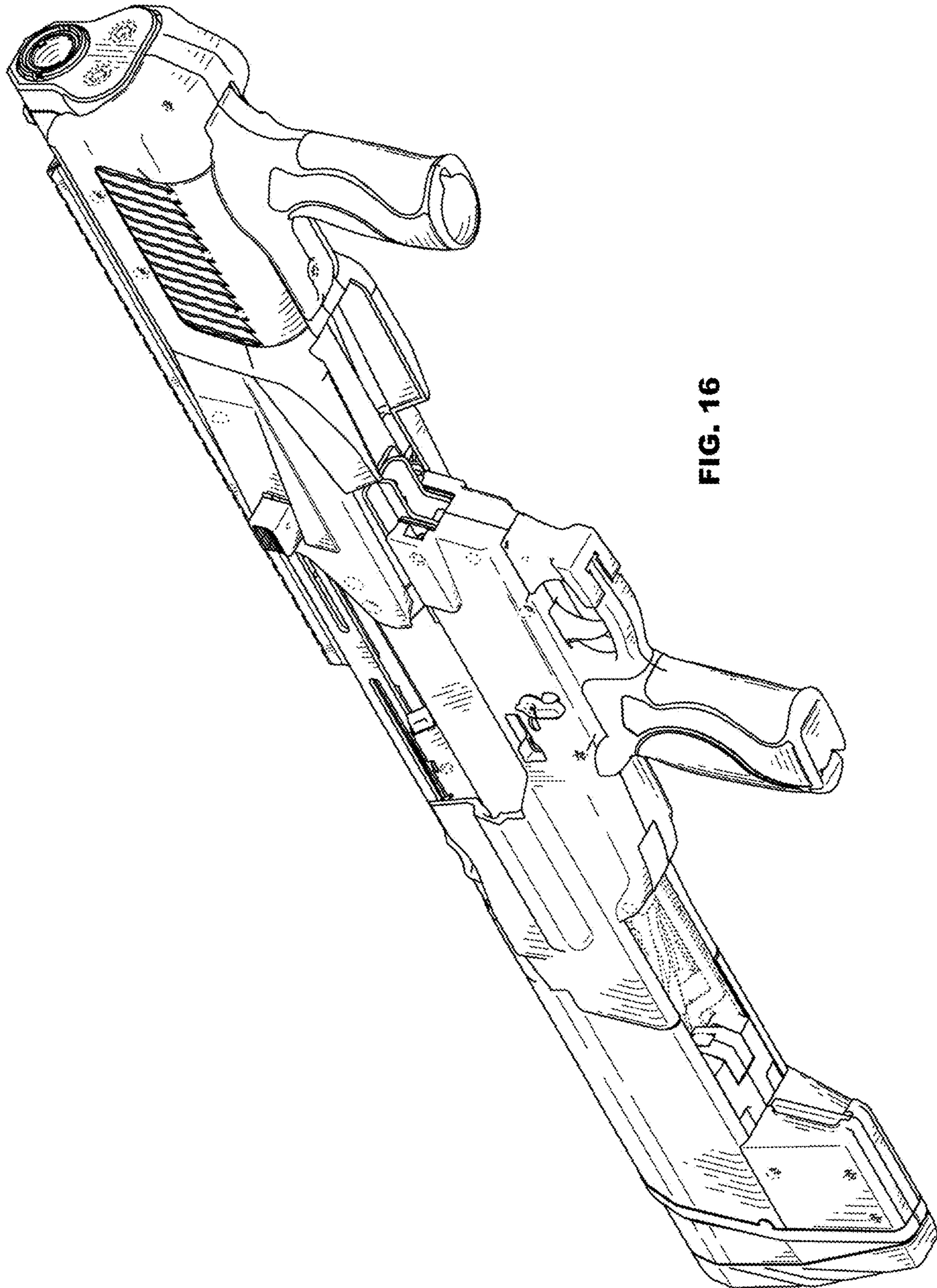


FIG. 16