



US00D917647S

(12) **United States Design Patent** (10) **Patent No.:** **US D917,647 S**
Culp et al. (45) **Date of Patent:** **** Apr. 27, 2021**

- (54) **FLOTATION DEVICE**
- (71) Applicant: **The Coleman Company, Inc.**, Wichita, KS (US)
- (72) Inventors: **Yiyun Culp**, Wichita, KS (US); **Rick L. Looslie**, Wichita, KS (US)
- (73) Assignee: **The Coleman Company, Inc.**, Wichita, KS (US)
- (**) Term: **15 Years**
- (21) Appl. No.: **29/619,458**
- (22) Filed: **Sep. 29, 2017**
- (51) **LOC (13) Cl.** **29-02**
- (52) **U.S. Cl.**
USPC **D21/805**
- (58) **Field of Classification Search**
USPC D21/801, 803, 804, 805, 808
CPC .. B63C 9/115; B63C 9/08; B63C 9/11; B63C 9/00
See application file for complete search history.

7,331,836 B1 * 2/2008 Harris B63C 9/115
441/106
D760,478 S * 7/2016 Puckett D2/829
2005/0106962 A1 * 5/2005 Johnson B63C 9/115
441/108

OTHER PUBLICATIONS

“Puddle Jumper Kids 2-in-1 Life Jacket and Rash Guard” available Jun. 5, 2018, [online], [site visited Mar. 3, 2020], Retrieved from Internet, URL:https://www.amazon.com/Puddle-Jumper-Jacket-Guard-Sailboats/product-reviews/B07CYFJT73/ref=cm_cr_getr_d_paging_btm_next_2 (Year: 2018).*

“TYR Kids Flotation Shirt” available Jul. 6, 2017, [online], [site visited Mar. 4, 2020], Retrieved from Internet, URL:https://www.amazon.com/TYR-Kids-Flotation-Shirt-Blue/dp/B01N2APWST/ref=asc_df_B01N2APWST/ (Year: 2017).*

* cited by examiner

Primary Examiner — Michael C Stout
Assistant Examiner — Katrina N Gonzalez

(57) **CLAIM**

The ornamental design for a flotation device, as shown and described.

DESCRIPTION

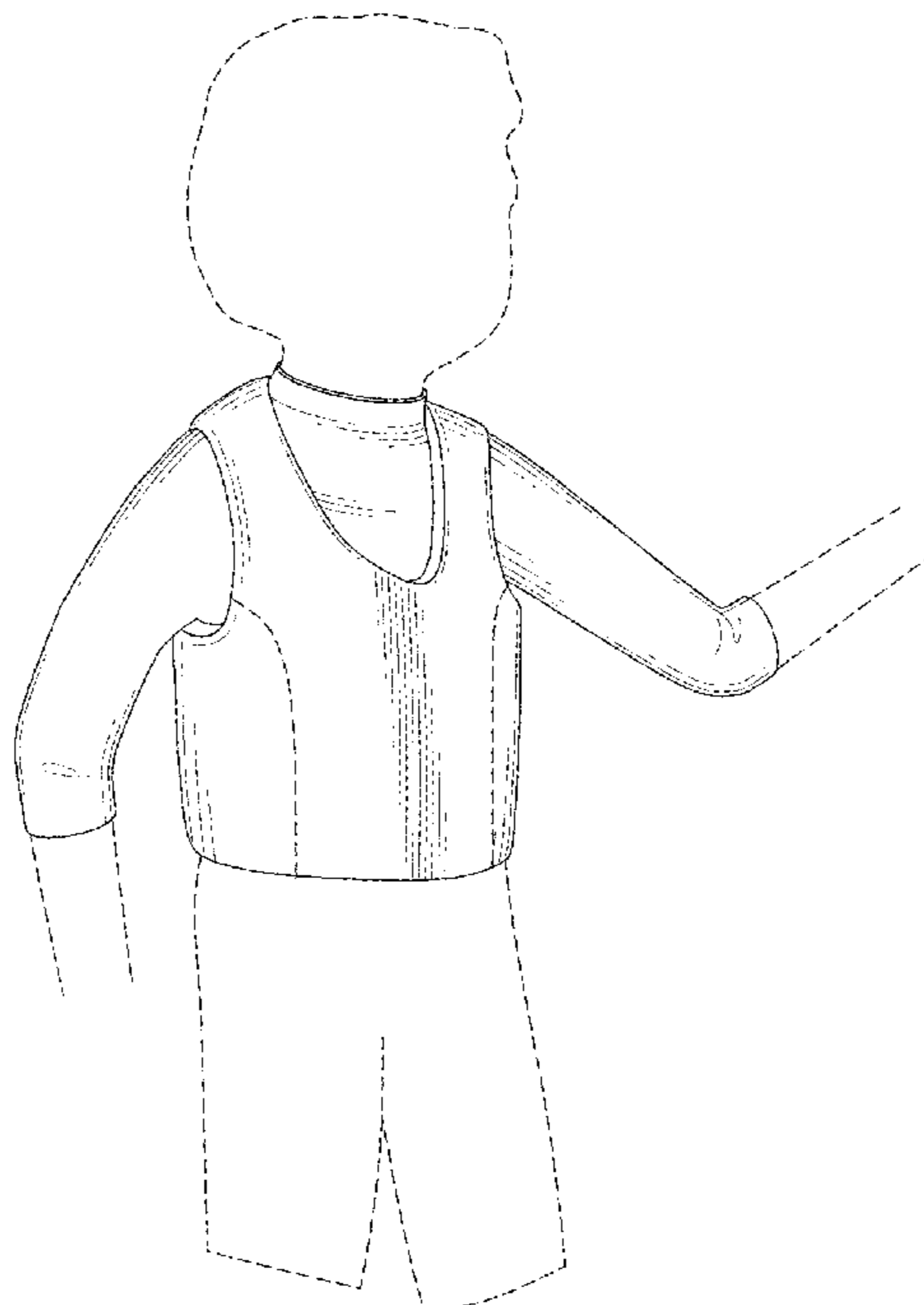
FIG. 1 is a front perspective view of a flotation device;
FIG. 2 is a front view thereof;
FIG. 3 is a rear view thereof;
FIG. 4 is a right side view thereof;
FIG. 5 is a left side view thereof;
FIG. 6 is a top view thereof; and,
FIG. 7 is a bottom view thereof.
The broken lines illustrate portions of the flotation device that form no part of the claimed design.

1 Claim, 7 Drawing Sheets

(56) **References Cited**

U.S. PATENT DOCUMENTS

- 3,545,017 A * 12/1970 Cohn B63C 9/115
441/112
- 4,551,108 A * 11/1985 Bass A61H 37/005
441/116
- 4,555,234 A * 11/1985 Kent B63C 9/115
441/106
- D335,614 S * 5/1993 Diab D21/805
- 5,549,495 A * 8/1996 Burnworth B63C 9/115
441/108
- D388,493 S * 12/1997 Summers D21/805



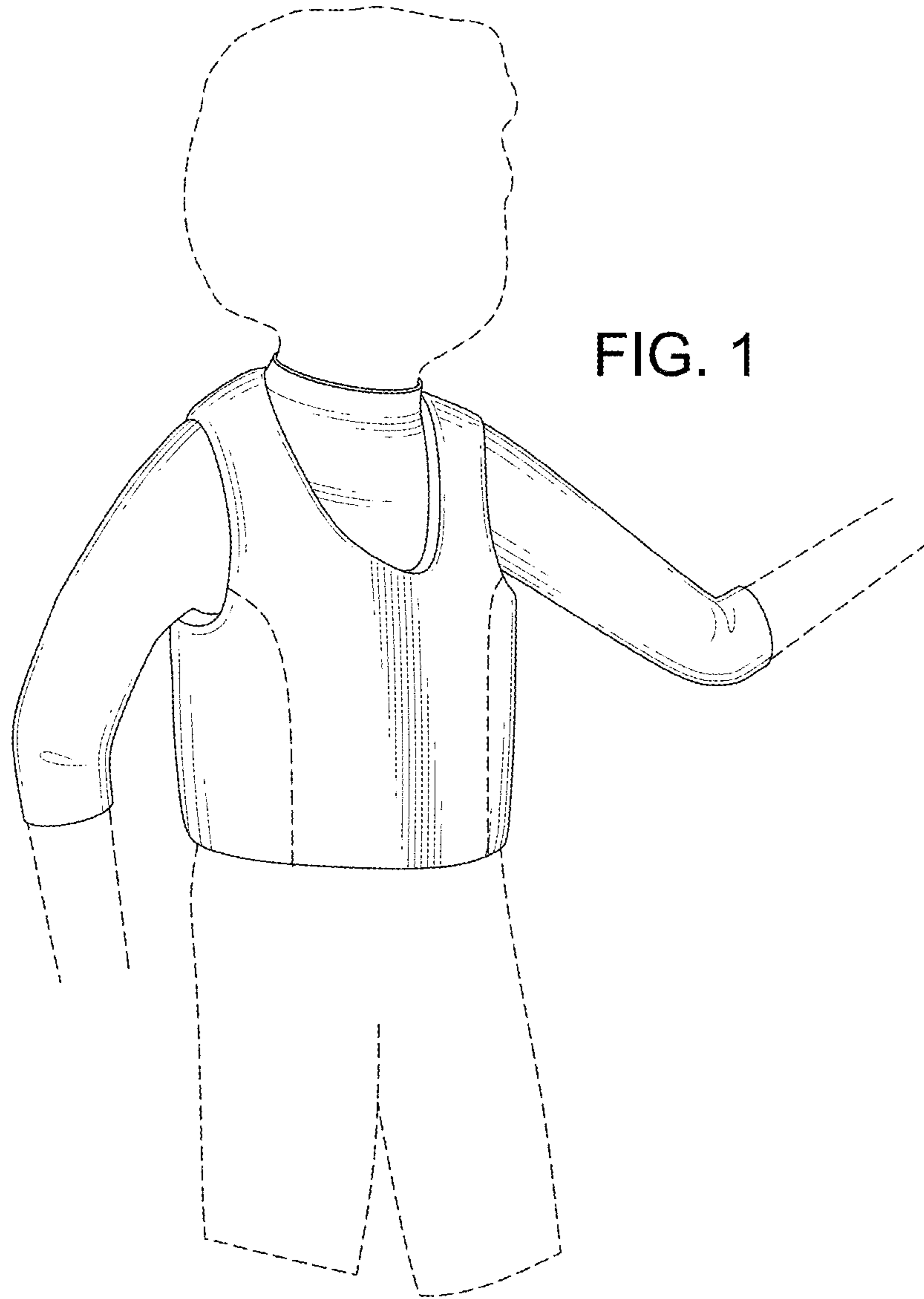


FIG. 2

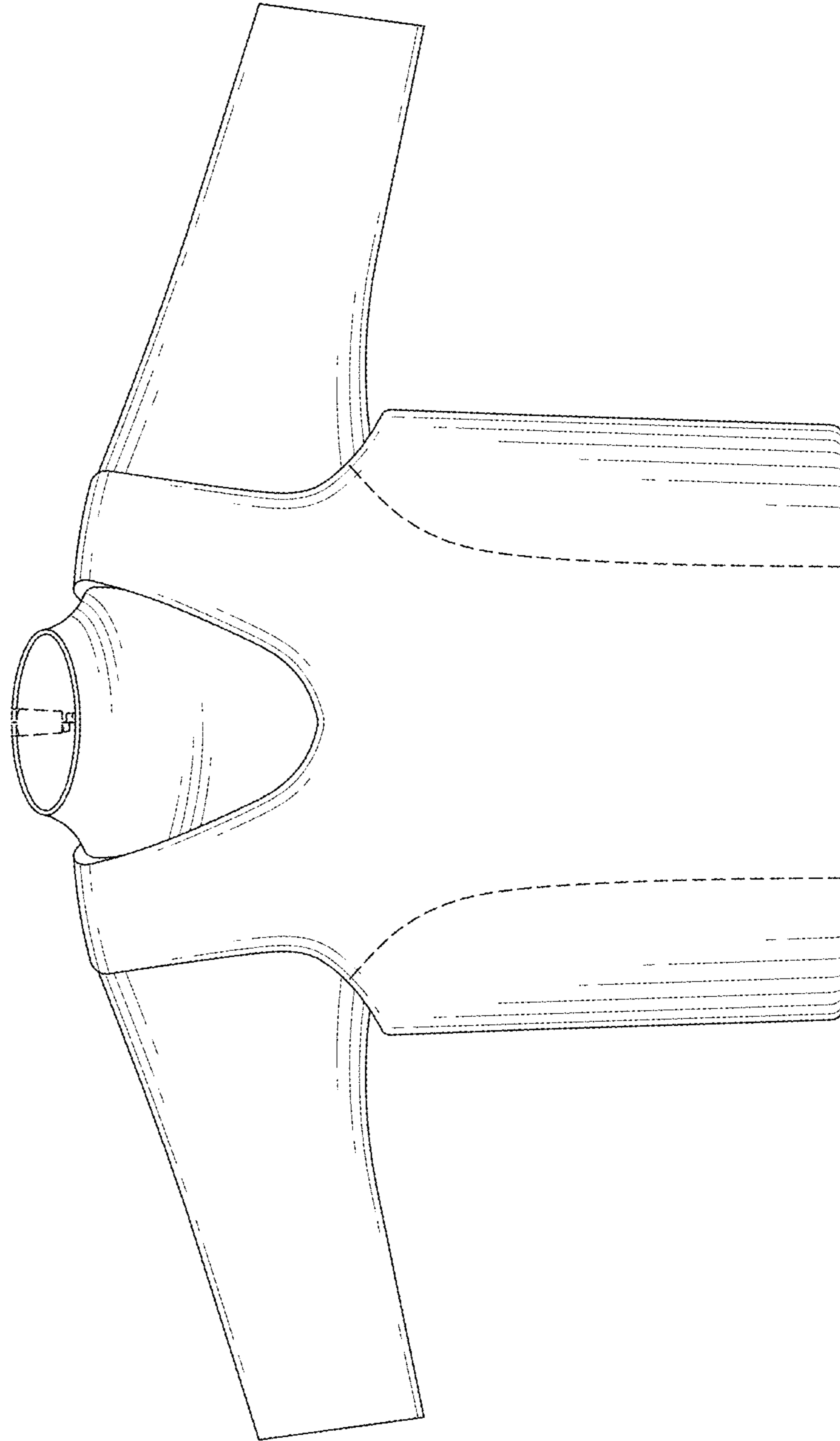


FIG. 3

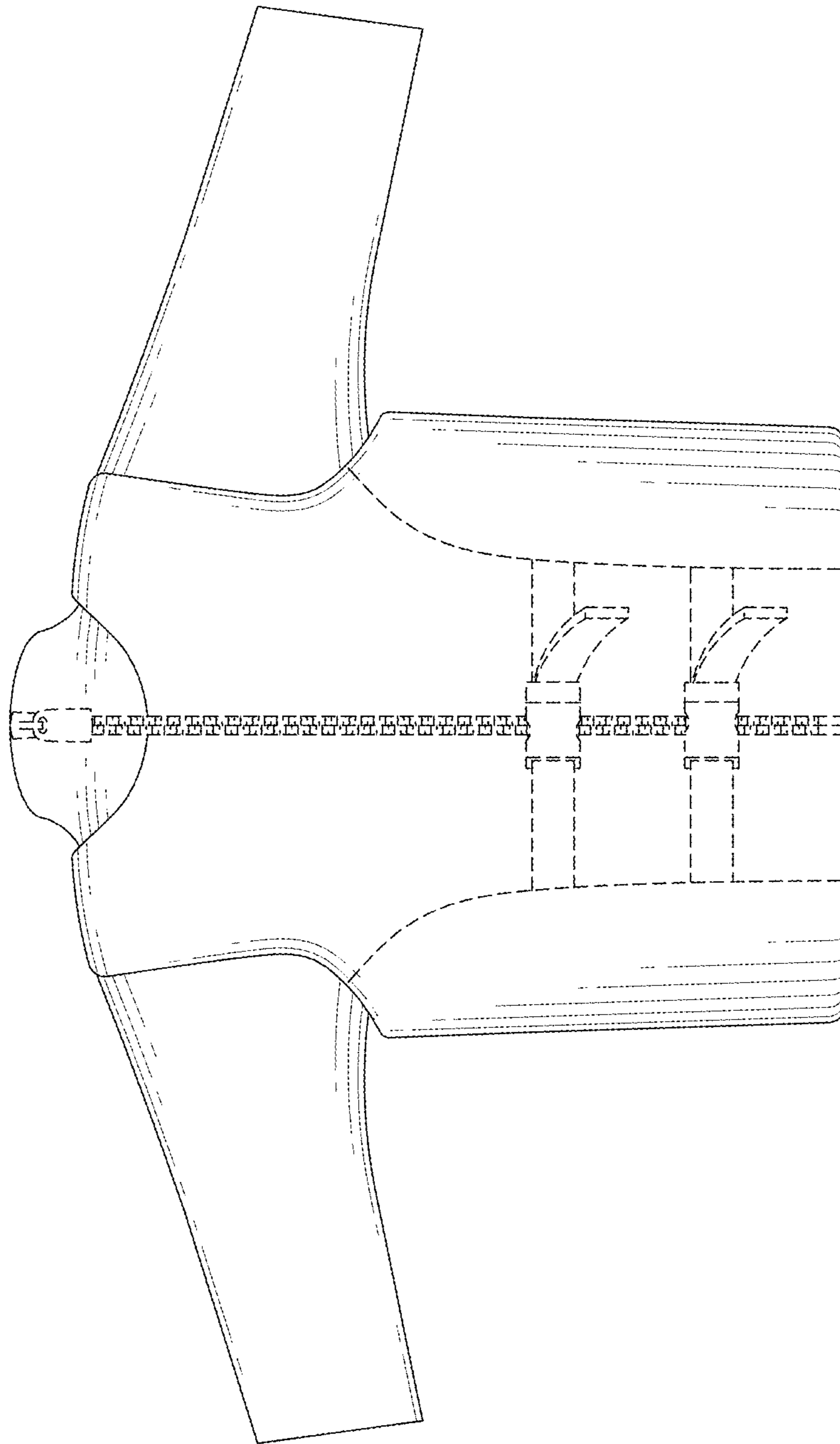


FIG. 4

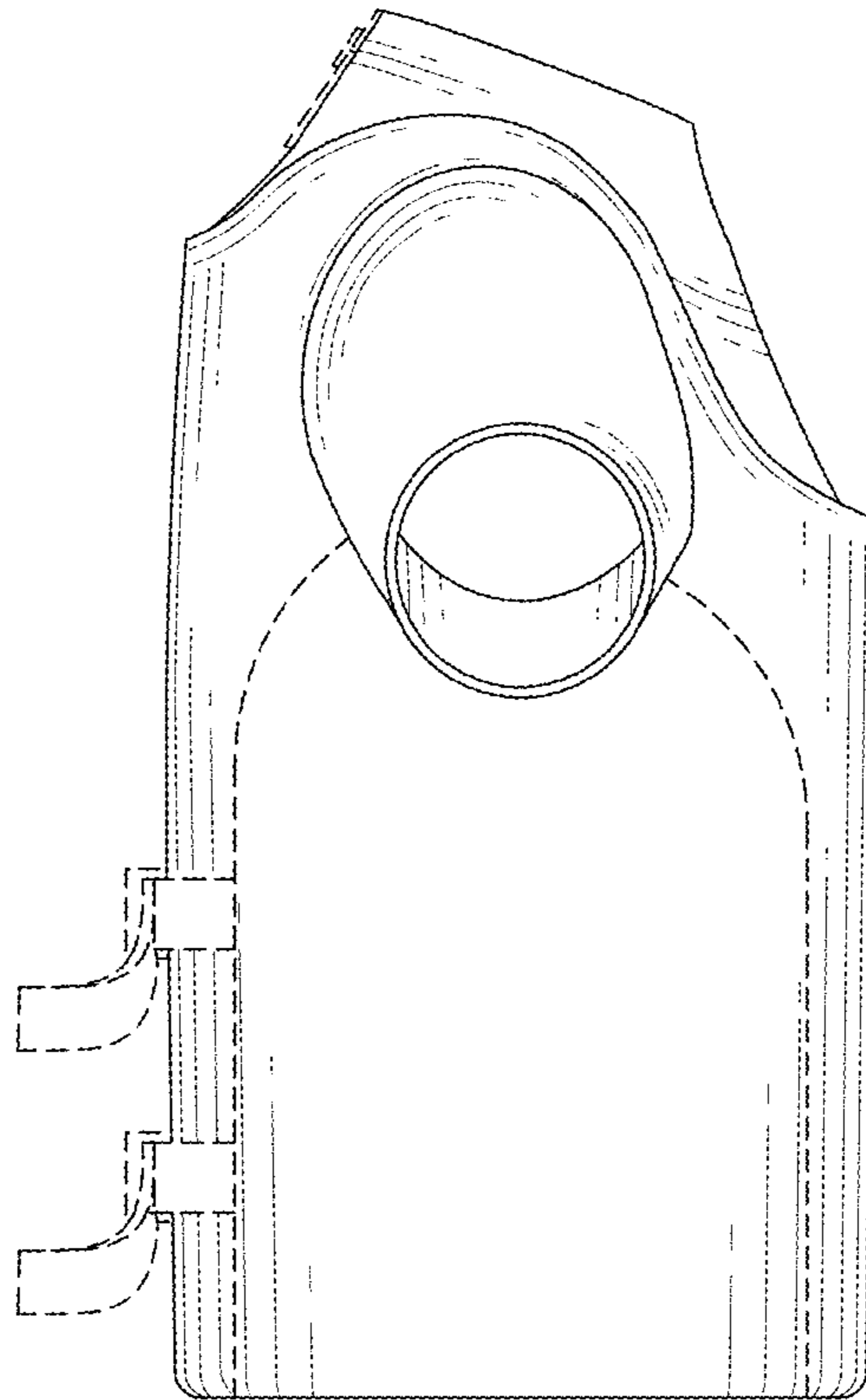


FIG. 5

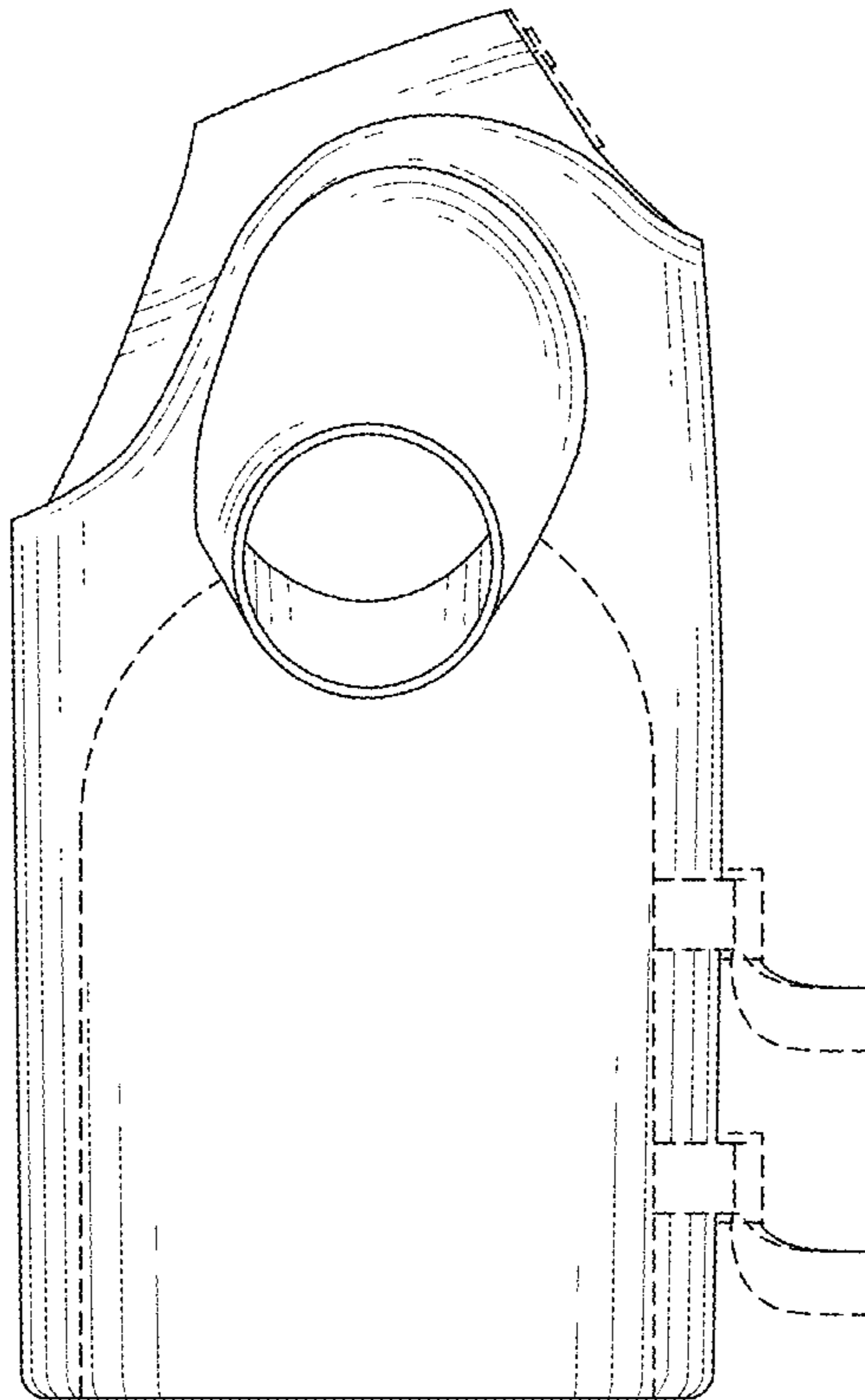


FIG. 6

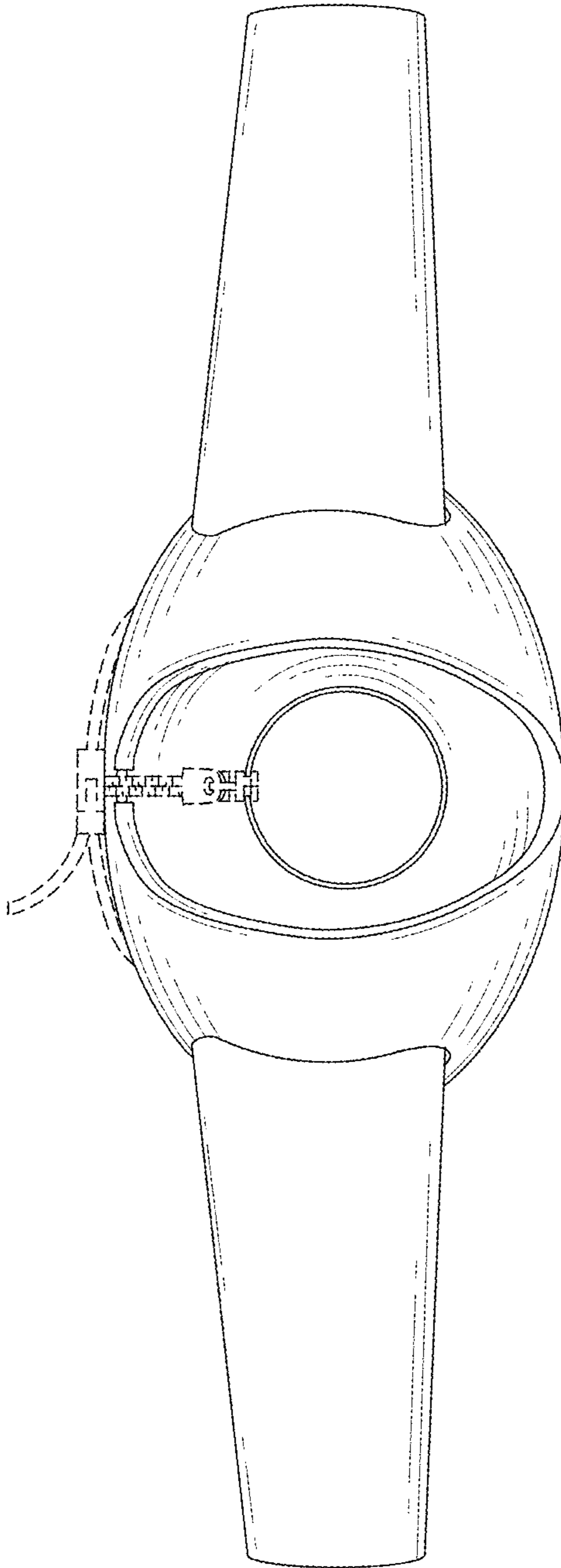


FIG. 7

