



US00D917645S

(12) **United States Design Patent**  
**Leposky et al.**

(10) **Patent No.:** **US D917,645 S**

(45) **Date of Patent:** **\*\* Apr. 27, 2021**

(54) **BALL MARKER**

(71) Applicant: **Callaway Golf Company**, Carlsbad, CA (US)

(72) Inventors: **Mark Leposky**, Carlsbad, CA (US);  
**Kurt A. Roller**, Carlsbad, CA (US);  
**Gerardo Sagaon**, Escobedo (MX);  
**Norman Smith**, Oceanside, CA (US)

(73) Assignee: **Callaway Golf Company**, Carlsbad, CA (US)

(\*\*) Term: **15 Years**

(21) Appl. No.: **29/685,209**

(22) Filed: **Mar. 27, 2019**

(51) **LOC (13) Cl.** ..... **21-02**

(52) **U.S. Cl.**  
USPC ..... **D21/794**

(58) **Field of Classification Search**  
USPC ..... D21/789, 793, 794  
CPC ..... A63B 57/353; A63B 57/207; A63B 57/00;  
A63B 57/30; A63B 57/35; A63B 57/50  
See application file for complete search history.

(56) **References Cited**

**U.S. PATENT DOCUMENTS**

D169,125 S *	3/1953	Cheresh	.....	D21/467
3,850,434 A *	11/1974	Ockenfels	.....	A63F 3/00063
				273/274
4,521,018 A *	6/1985	Cotchonis	.....	A63B 57/353
				473/406
5,356,133 A *	10/1994	Bellagamba	.....	A63B 57/353
				473/406
5,437,446 A *	8/1995	Youngkin	.....	A63B 69/3676
				473/409
D405,858 S *	2/1999	Wolff	.....	D21/386
D445,160 S *	7/2001	Hueber	.....	D21/794
D533,460 S *	12/2006	Terrasi	.....	D9/600
D583,893 S *	12/2008	Ruff	.....	D21/794

D616,953 S *	6/2010	Shinki	.....	D21/794
D622,799 S *	8/2010	Cameron	.....	A63B 59/50
				D21/794
8,016,698 B2 *	9/2011	Cameron	.....	A63B 57/50
				473/406
D661,761 S *	6/2012	Cameron	.....	D21/794
D669,551 S *	10/2012	Perez	.....	D21/794
D704,291 S *	5/2014	Snyder	.....	D21/794
D721,152 S *	1/2015	Kokoska	.....	D21/794
D826,355 S *	8/2018	Kenny	.....	D21/793
D859,556 S *	9/2019	Kumpis	.....	D21/794
D872,817 S *	1/2020	Peterson	.....	D21/794
D875,866 S *	2/2020	McIlvain	.....	D21/793

\* cited by examiner

*Primary Examiner* — Mitchell I. Siegel

(74) *Attorney, Agent, or Firm* — Rebecca Hanovice;  
Michael A. Catania; Sonia Lari

(57) **CLAIM**

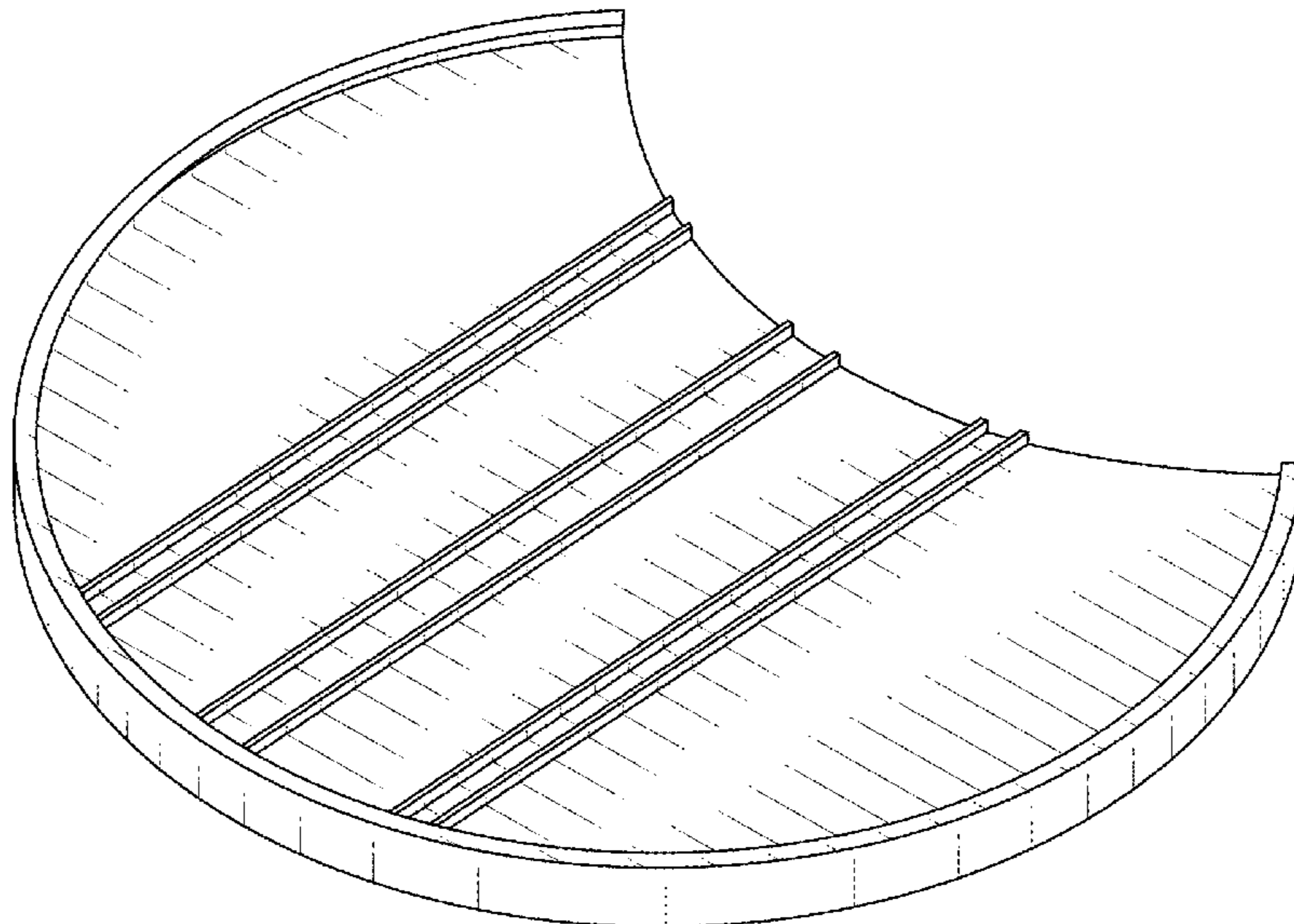
The ornamental design for a ball marker, as shown and described.

**DESCRIPTION**

FIG. 1 is a top perspective view of a first embodiment of the ball marker claimed herein;  
FIG. 2 is a rear elevational view thereof;  
FIG. 3 is a front elevational view thereof;  
FIG. 4 is a side elevational view thereof;  
FIG. 5 is a top plan view thereof;  
FIG. 6 is a bottom plan view thereof;  
FIG. 7 is a top perspective view of a second embodiment of the ball marker claimed herein;  
FIG. 8 is a rear elevational view of FIG. 7;  
FIG. 9 is a front elevational view of FIG. 7;  
FIG. 10 is a side elevational of FIG. 7;  
FIG. 11 is a top plan view of FIG. 7; and,  
FIG. 12 is a bottom plan view of FIG. 7.

The broken lines in the figures show portions of the ball marker that form no part of the claimed design.

**1 Claim, 7 Drawing Sheets**



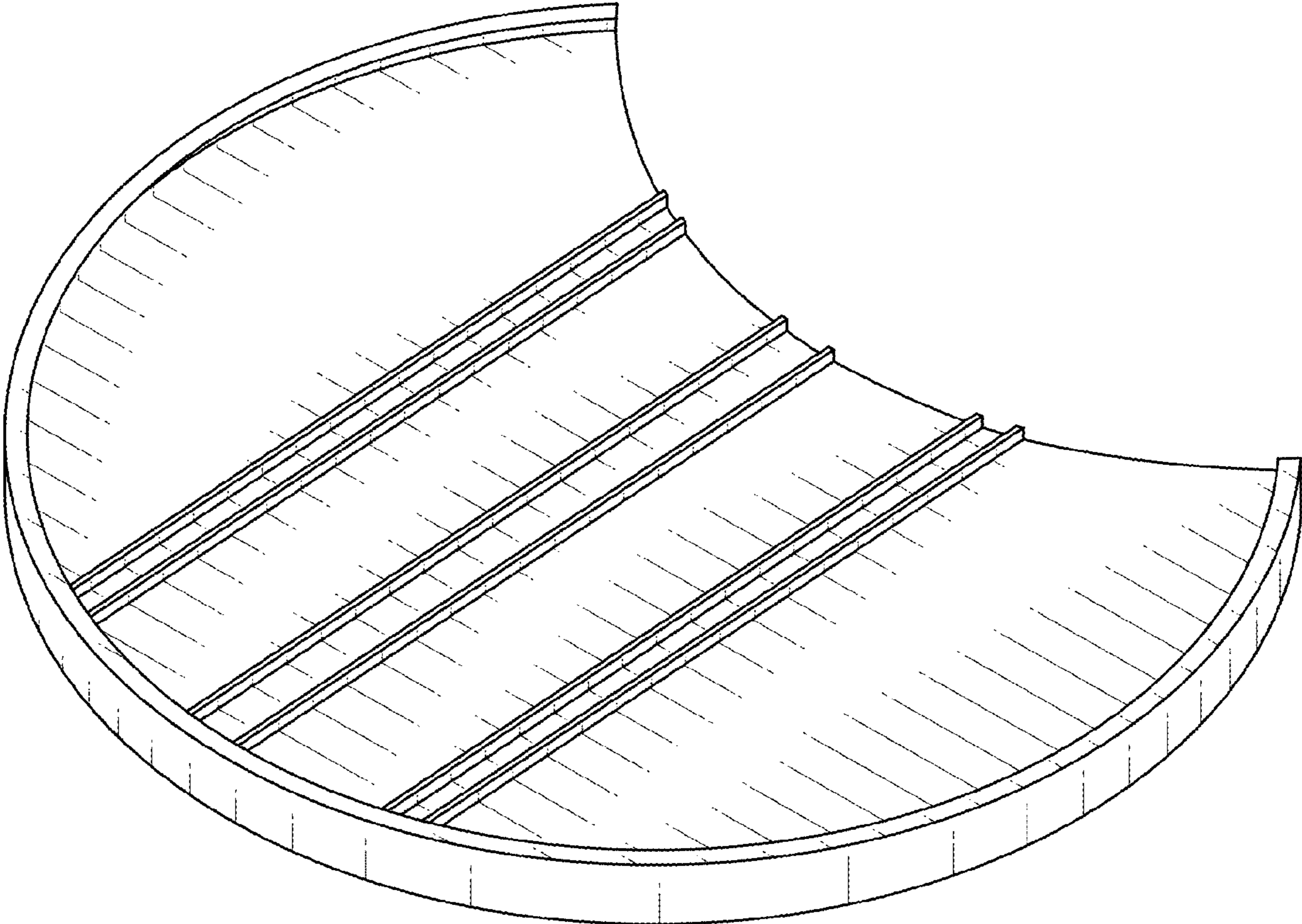


FIG. 1

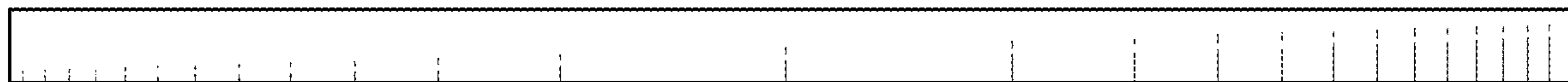


FIG. 2

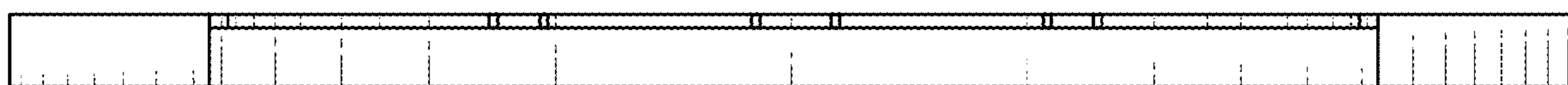


FIG. 3

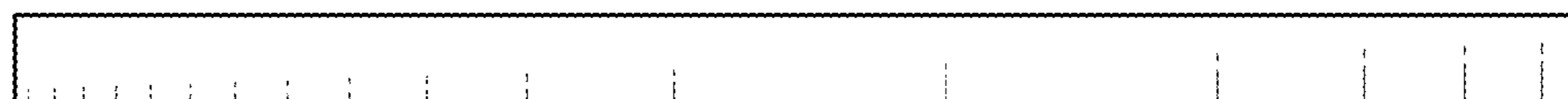


FIG. 4

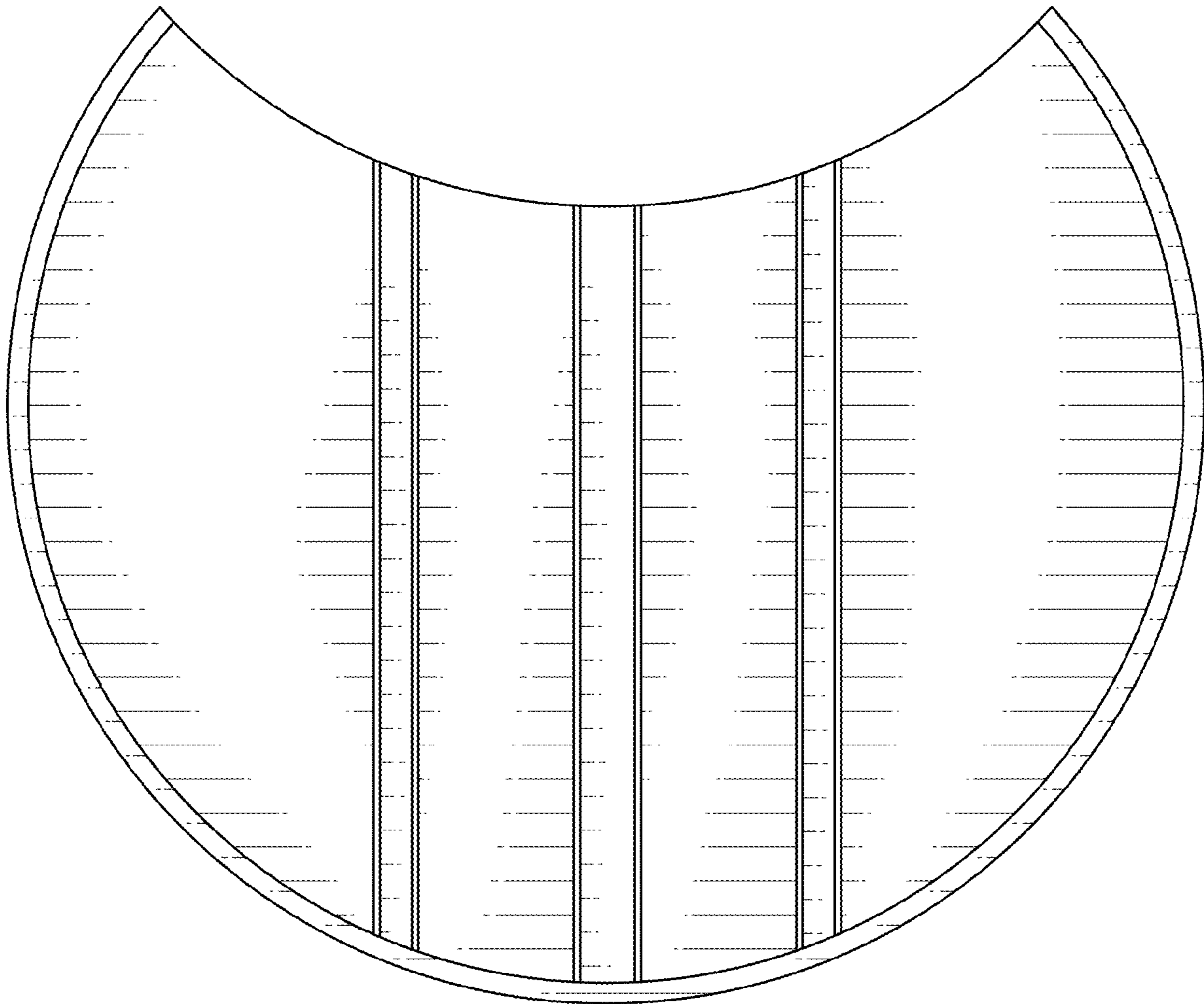


FIG. 5

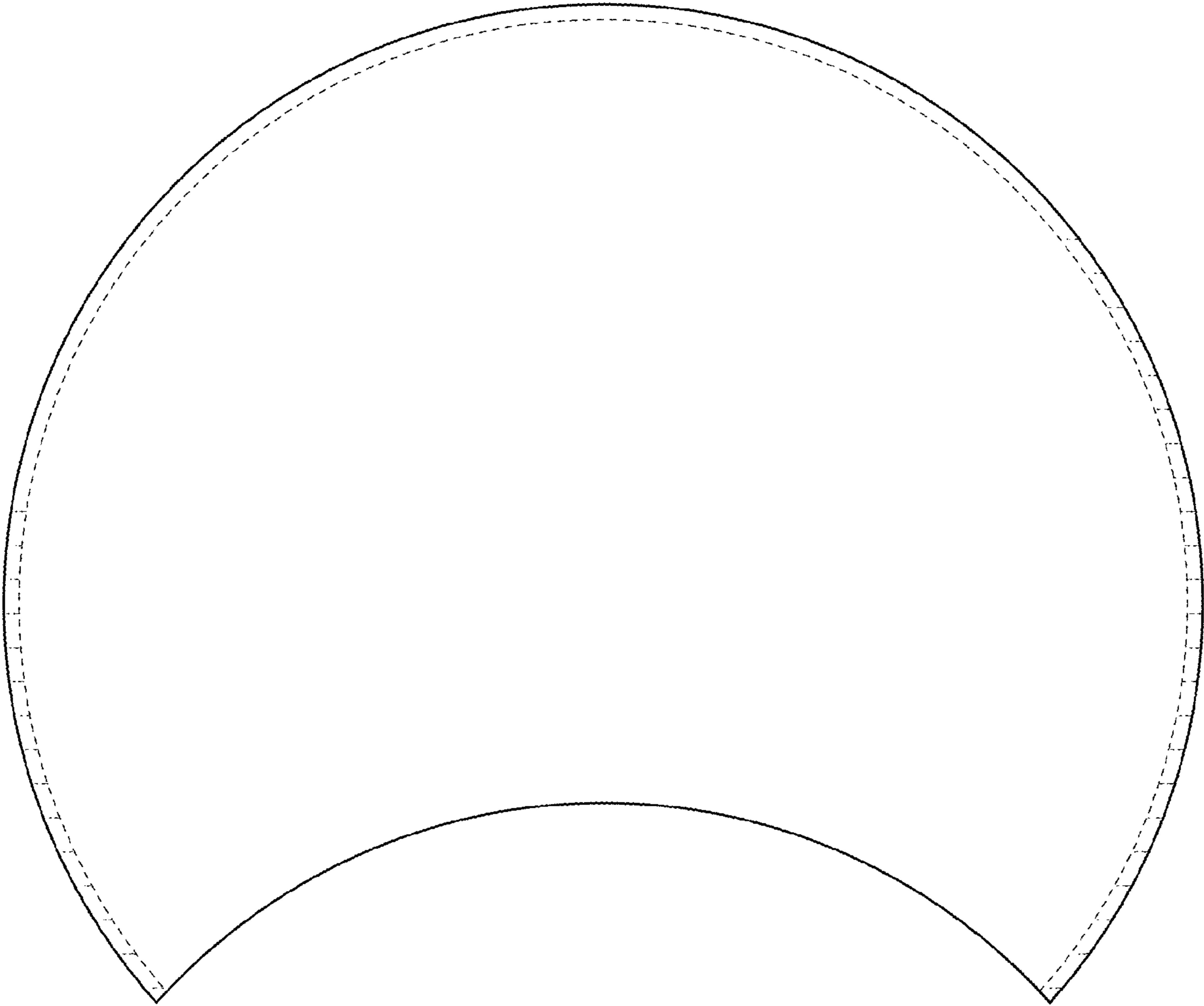


FIG. 6

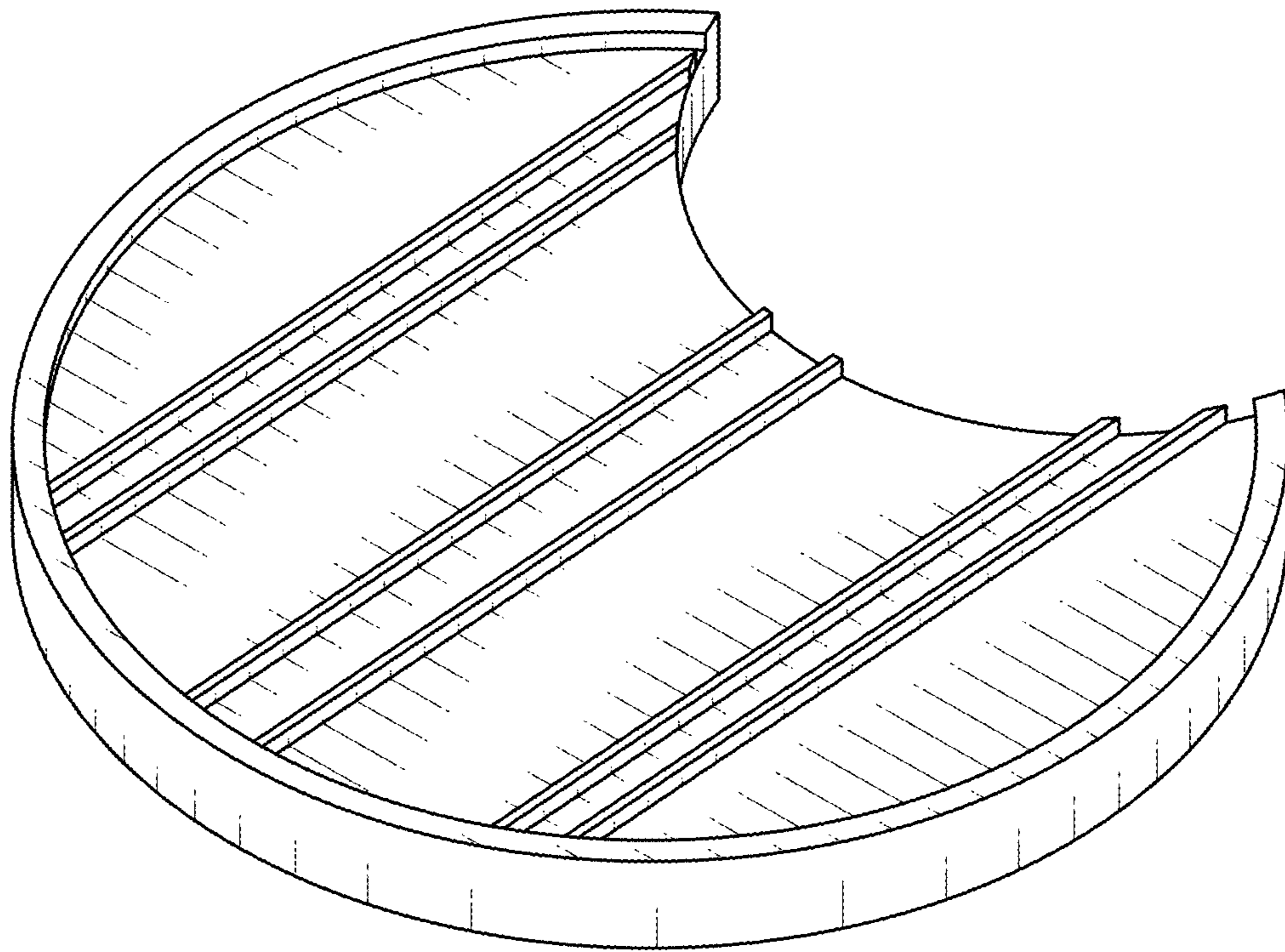


FIG. 7



FIG. 8



FIG. 9



FIG. 10

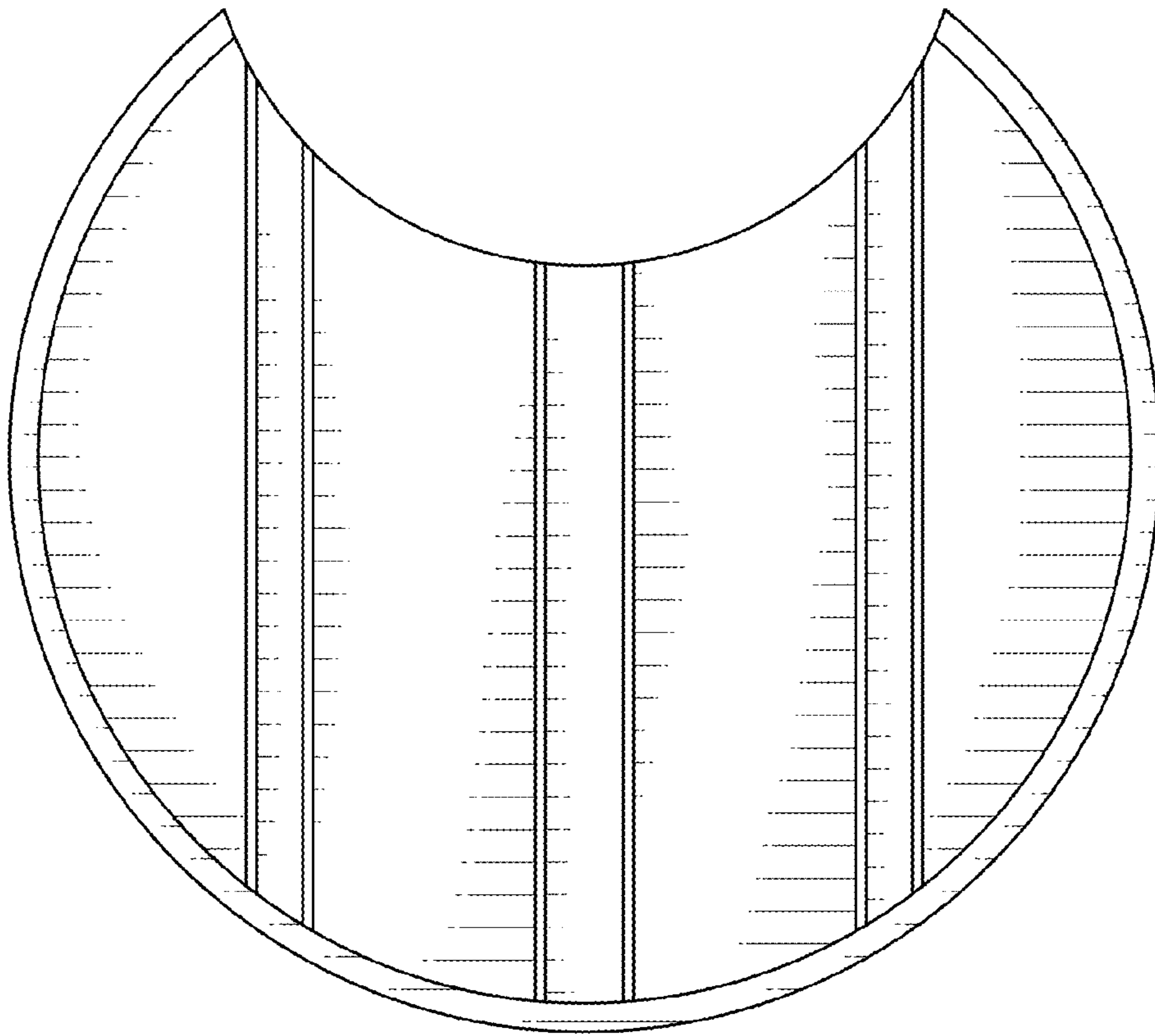


FIG. 11

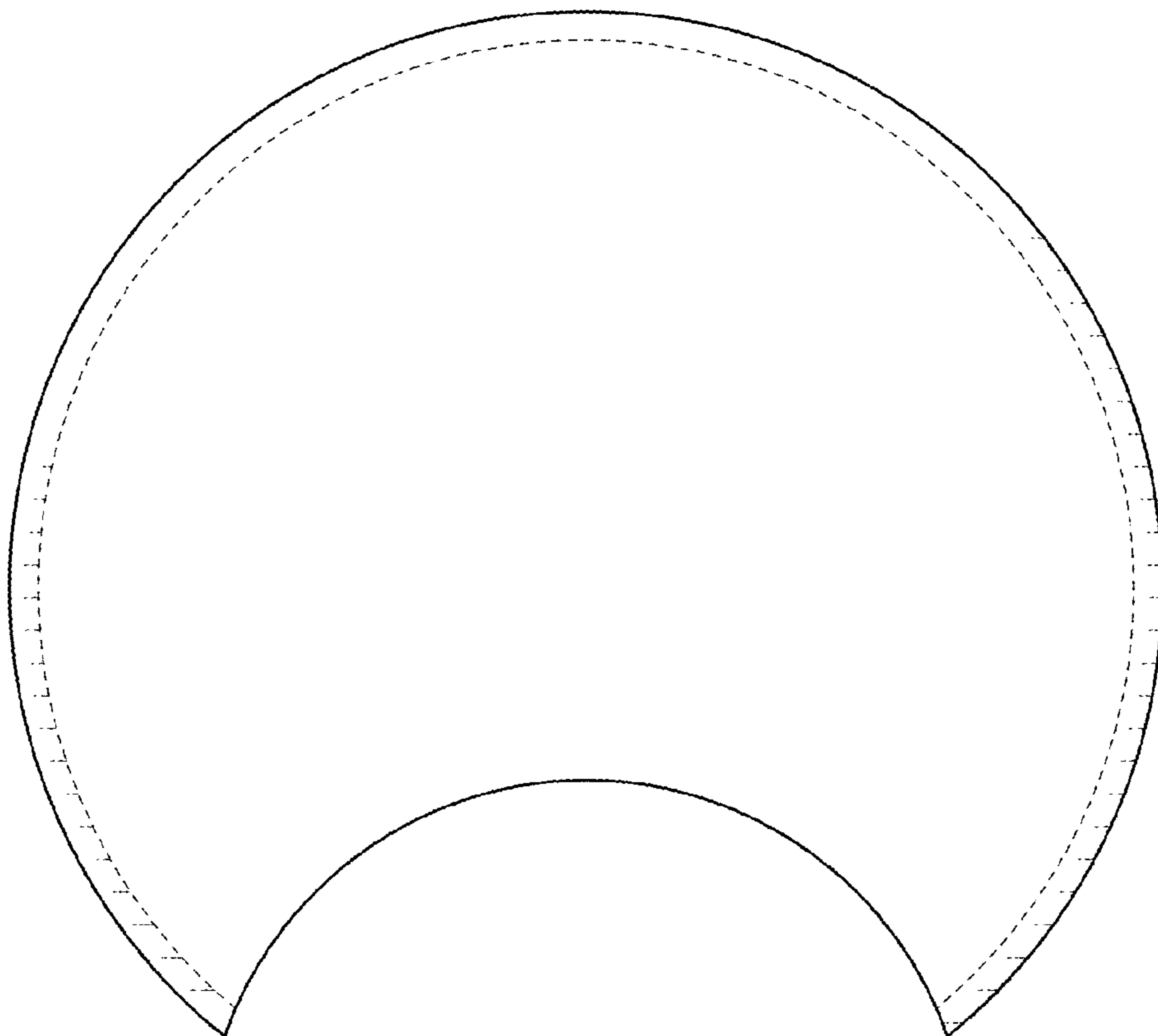


FIG. 12