

US00D917642S

(12) **United States Design Patent** (10) **Patent No.:** **US D917,642 S**  
**Greer et al.** (45) **Date of Patent:** **\*\* Apr. 27, 2021**

(54) **GOLF CLUB HEAD**  
(71) Applicant: **KARSTEN MANUFACTURING CORPORATION**, Phoenix, AZ (US)  
(72) Inventors: **Evan R. Greer**, Phoenix, AZ (US); **Murphy R. Alexander**, Scottsdale, AZ (US)  
(73) Assignee: **Karsten Manufacturing Corporation**, Phoenix, AZ (US)

D362,887 S \* 10/1995 Blough ..... D21/747  
D364,453 S 11/1995 Schurig  
D368,753 S \* 4/1996 Blough ..... D21/750  
D370,514 S \* 6/1996 Blough ..... D21/750  
D426,602 S 6/2000 Polk, III  
D437,902 S \* 2/2001 Persinger ..... D21/748

(Continued)

**FOREIGN PATENT DOCUMENTS**

CN 104740854 7/2015  
JP 1085745 9/2000

(Continued)

(\*\*) Term: **15 Years**

(21) Appl. No.: **29/701,506**

(22) Filed: **Aug. 12, 2019**

(51) **LOC (13) Cl.** ..... **21-02**

(52) **U.S. Cl.**  
USPC ..... **D21/747**

(58) **Field of Classification Search**  
USPC ..... D21/747-751, 759  
CPC ..... A63B 53/00; A63B 53/02; A63B 53/04;  
A63B 53/047; A63B 53/0475; A63B  
2053/0479; A63B 2053/0483; A63B  
2053/0445; A63B 60/00; A63B 60/46  
See application file for complete search history.

(56) **References Cited**

**U.S. PATENT DOCUMENTS**

D141,307 S 1/1945 Newsome  
D163,961 S 8/1949 Penna  
D164,596 S 1/1951 Penna  
D164,597 S 1/1951 Penna  
D179,092 S 10/1956 Pavlis  
D179,818 S 3/1957 Penna  
D179,819 S 3/1957 Penna  
D179,817 S 3/1967 Penna  
D209,299 S 11/1967 Long  
D337,143 S 7/1993 Lo  
D362,884 S \* 10/1995 Blough ..... D21/750  
D362,885 S \* 10/1995 Blough ..... D21/747

**OTHER PUBLICATIONS**

'Maltby Dbm Forged Head' Golf Works. Retrieved from the Internet. Retrieved on Oct. 15, 2015, URL: <[http://www.golfworks.com/product.asp\\_Q\\_pn\\_E\\_MA0225\\_A\\_Maltby+DBM+Forged+Iron+Heads\\_Ac2p\\_E\\_cs/](http://www.golfworks.com/product.asp_Q_pn_E_MA0225_A_Maltby+DBM+Forged+Iron+Heads_Ac2p_E_cs/)>.

(Continued)

*Primary Examiner* — Mitchell I. Siegel

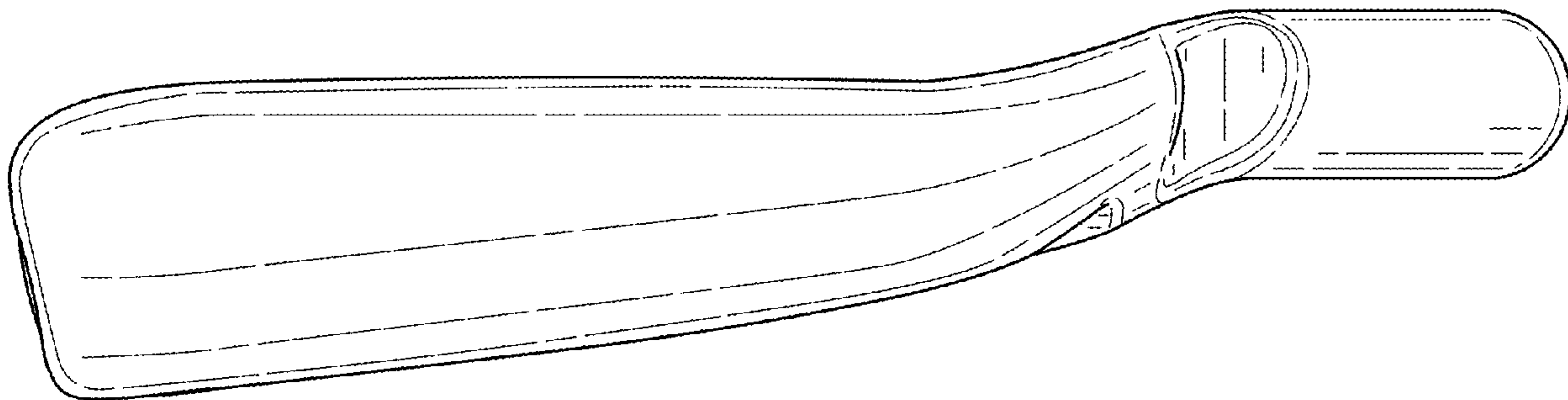
(57) **CLAIM**

The ornamental design for a golf club head, as shown and described.

**DESCRIPTION**

FIG. 1 is a top perspective view of a golf club head;  
FIG. 2 is a bottom perspective view of the golf club head of FIG. 1;  
FIG. 3 is a top view of the golf club head of FIG. 1;  
FIG. 4 is a bottom view of the golf club head of FIG. 1;  
FIG. 5 is a front view of the golf club head of FIG. 1;  
FIG. 6 is a rear view of the golf club head of FIG. 1;  
FIG. 7 is a heel side view of the golf club head of FIG. 1;  
and,  
FIG. 8 is a toe side view of the golf club head of FIG. 1.  
The broken lines shown form no part of the claimed design.

**1 Claim, 5 Drawing Sheets**



(56)

References Cited

U.S. PATENT DOCUMENTS

D441,821 S \* 5/2001 Turner ..... D21/747  
 D446,566 S \* 8/2001 McCabe ..... D21/759  
 D454,606 S \* 3/2002 Helmstetter ..... D21/747  
 D454,932 S \* 3/2002 Mahaffey ..... D21/747  
 D469,832 S 2/2003 Bode  
 6,533,679 B1 3/2003 McCabe et al.  
 D475,107 S \* 5/2003 Madore ..... D21/759  
 D475,108 S \* 5/2003 Madore ..... D21/759  
 D511,553 S \* 11/2005 Madore ..... D21/759  
 D512,474 S \* 12/2005 Madore ..... D21/759  
 D512,475 S \* 12/2005 Madore ..... D21/759  
 D516,152 S \* 2/2006 Madore ..... D21/759  
 D526,038 S 8/2006 Kelley  
 D619,184 S 7/2010 Llewellyn  
 D660,390 S \* 5/2012 Llewellyn ..... D21/759  
 D707,772 S \* 6/2014 Oldknow ..... D21/759  
 D709,576 S 7/2014 Oldknow  
 D709,974 S 7/2014 Oldknow  
 D762,792 S 8/2016 Oliveira  
 D765,803 S 9/2016 Oliveira et al.  
 D773,574 S 12/2016 Oliveira  
 D777,853 S 1/2017 Wang et al.  
 D788,863 S 6/2017 Honea  
 D797,224 S 9/2017 Oliveira et al.  
 D806,813 S \* 1/2018 Song ..... D21/747  
 D823,406 S \* 7/2018 Oyler ..... D21/747  
 D829,837 S 10/2018 Wolfe  
 D832,953 S 11/2018 Bacon  
 D835,734 S \* 12/2018 Milleman ..... D21/747  
 D839,370 S \* 1/2019 Clarke ..... D21/747  
 D839,371 S \* 1/2019 Clarke ..... D21/747  
 D856,450 S \* 8/2019 Milleman ..... D21/747

D857,821 S \* 8/2019 Marukawa ..... D21/747  
 2003/0119602 A1\* 6/2003 Kennedy, III ..... A63B 53/04  
 473/342  
 2003/0176232 A1\* 9/2003 Hasebe ..... A63B 53/047  
 473/291  
 2005/0009626 A1 1/2005 Imamoto  
 2011/0021285 A1 1/2011 Shimazaki  
 2013/0109500 A1 5/2013 Boyd et al.  
 2014/0329615 A1 11/2014 Roberts et al.  
 2014/0364248 A1 12/2014 Wahl et al.  
 2015/0165285 A1 6/2015 Stites et al.  
 2016/0059089 A1\* 3/2016 Jertson ..... A63B 53/04  
 473/290

FOREIGN PATENT DOCUMENTS

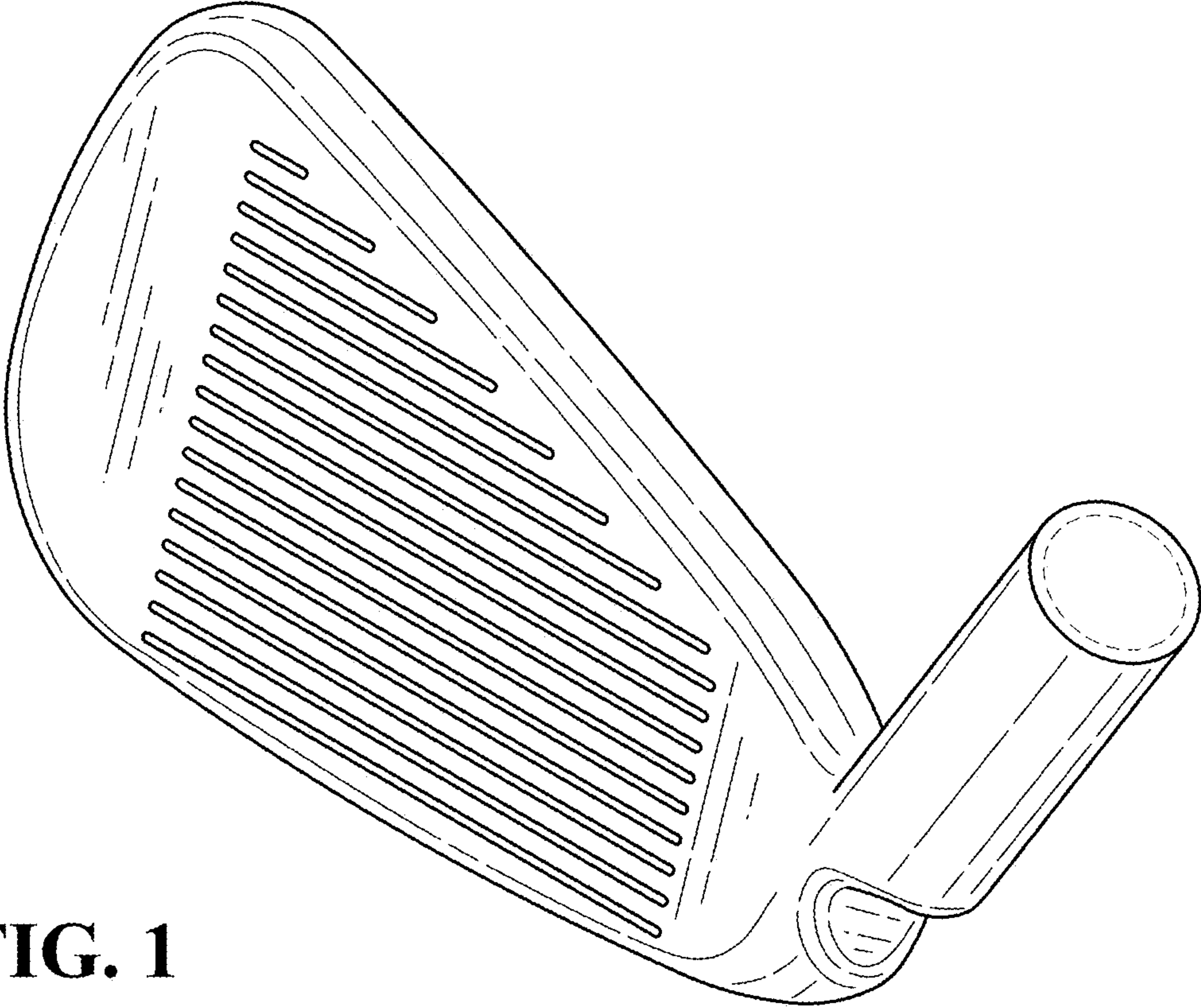
JP	1142891	6/2002
JP	2003062132	3/2003
JP	5315577	10/2003
JP	2006212066	8/2006
JP	2008054985	3/2008
JP	2010167131	8/2010
JP	5763701	7/2015
KR	143328	10/1993
KR	139157	11/1993
KR	145584	11/1993
KR	30-0368182	12/2004

OTHER PUBLICATIONS

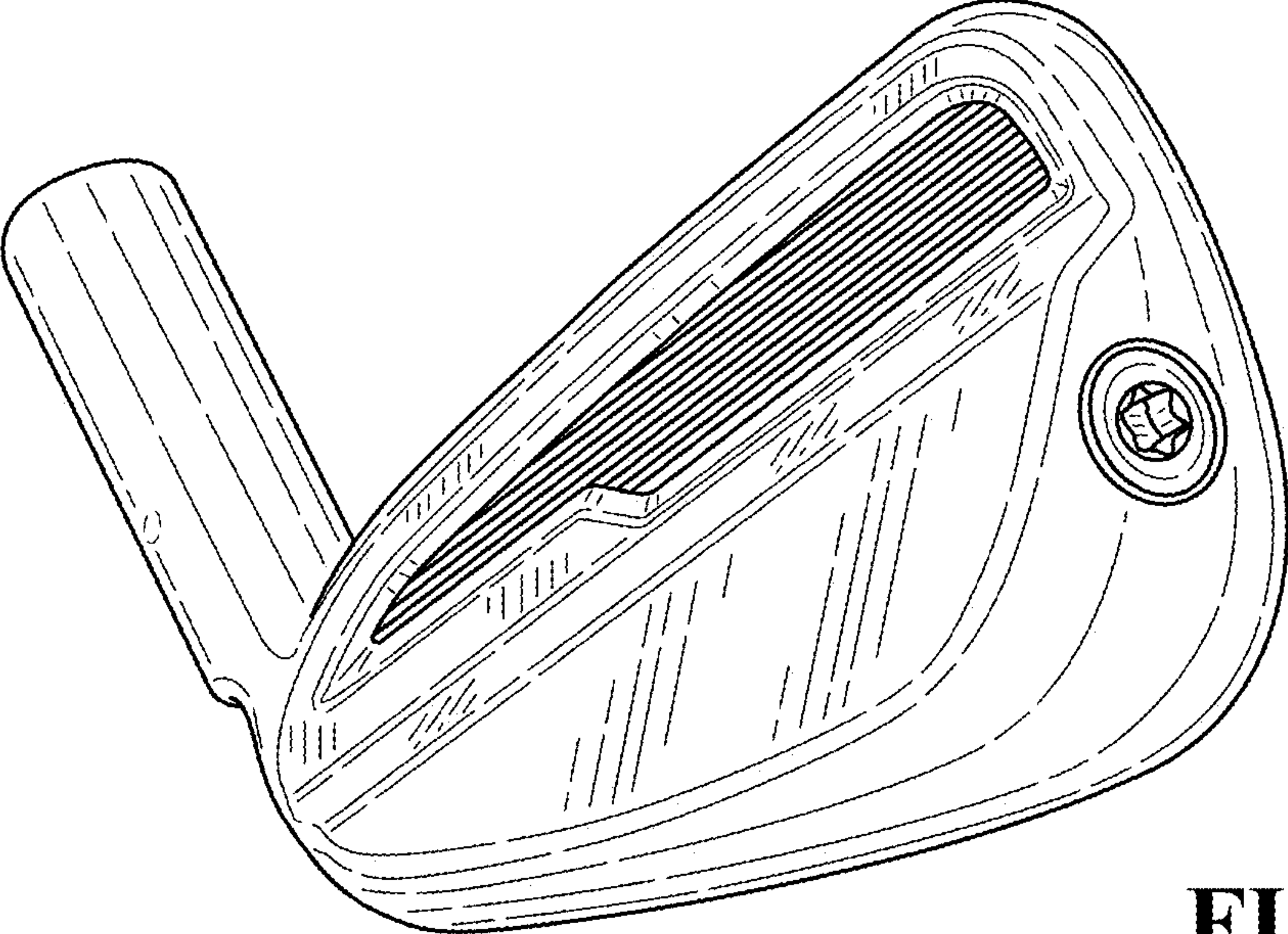
'Taylor Made Sldr Irons' Golf a Lot. May 5, 2014. Retrieved from the Internet. Retrieved on Oct. 15, 2015, URL: <<http://www.golfalot.com/equipment-news/taylormade-sldr-irons-2857.aspx>>.

\* cited by examiner





**FIG. 1**



**FIG. 2**

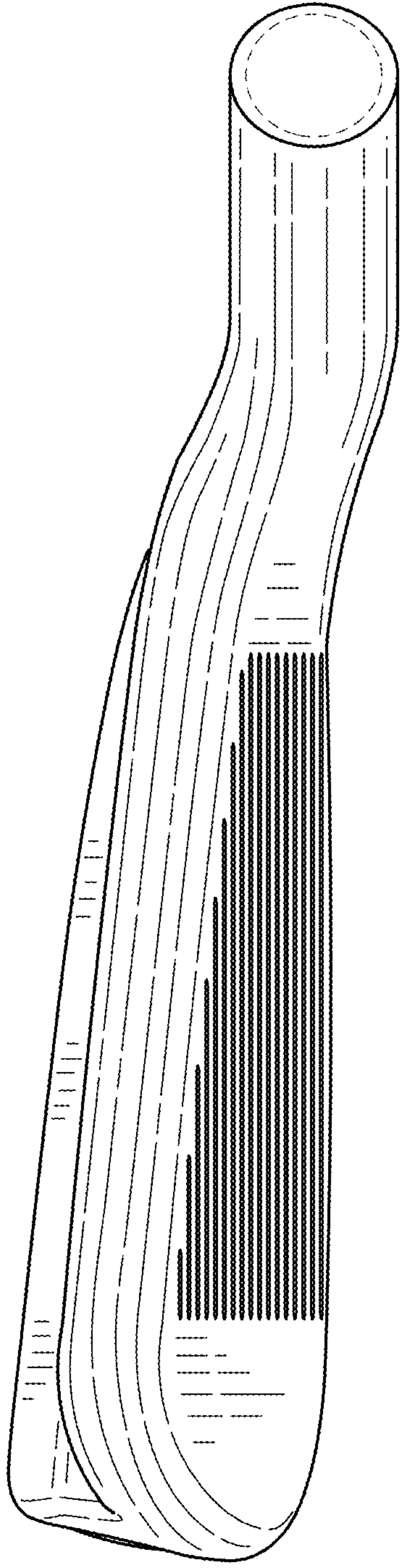


FIG. 3

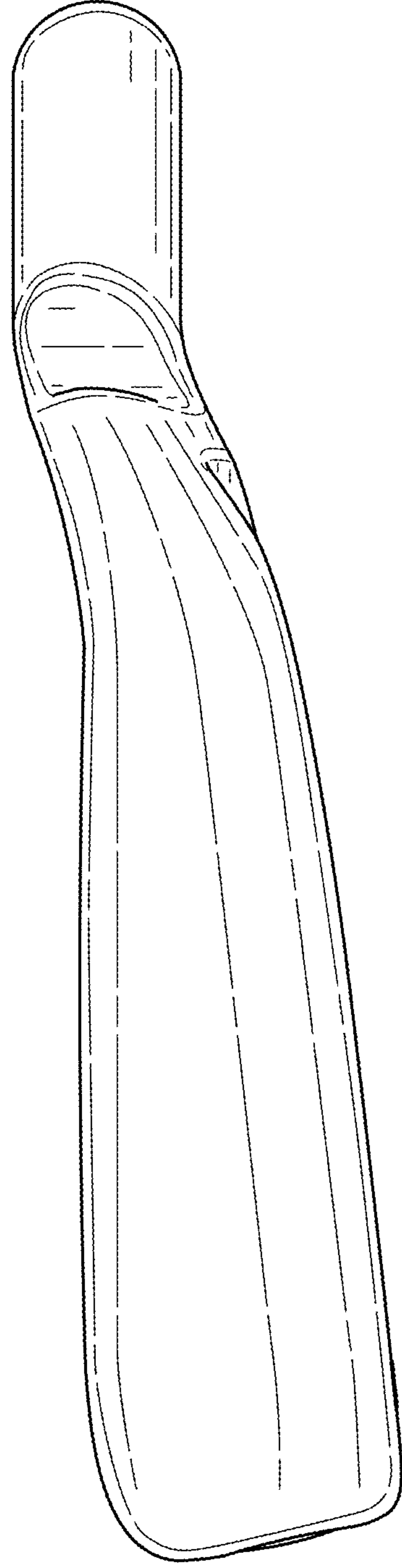


FIG. 4

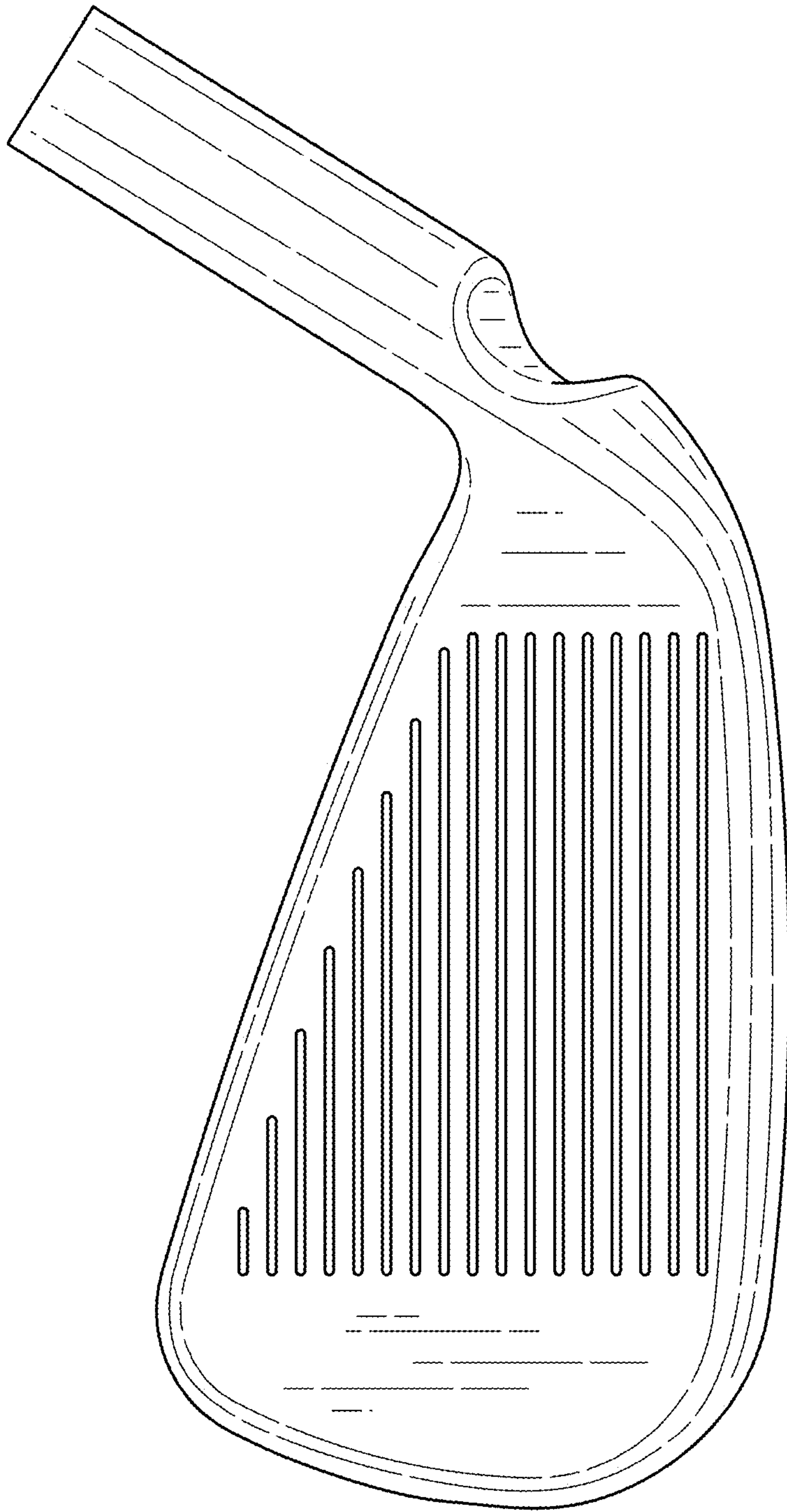


FIG. 5



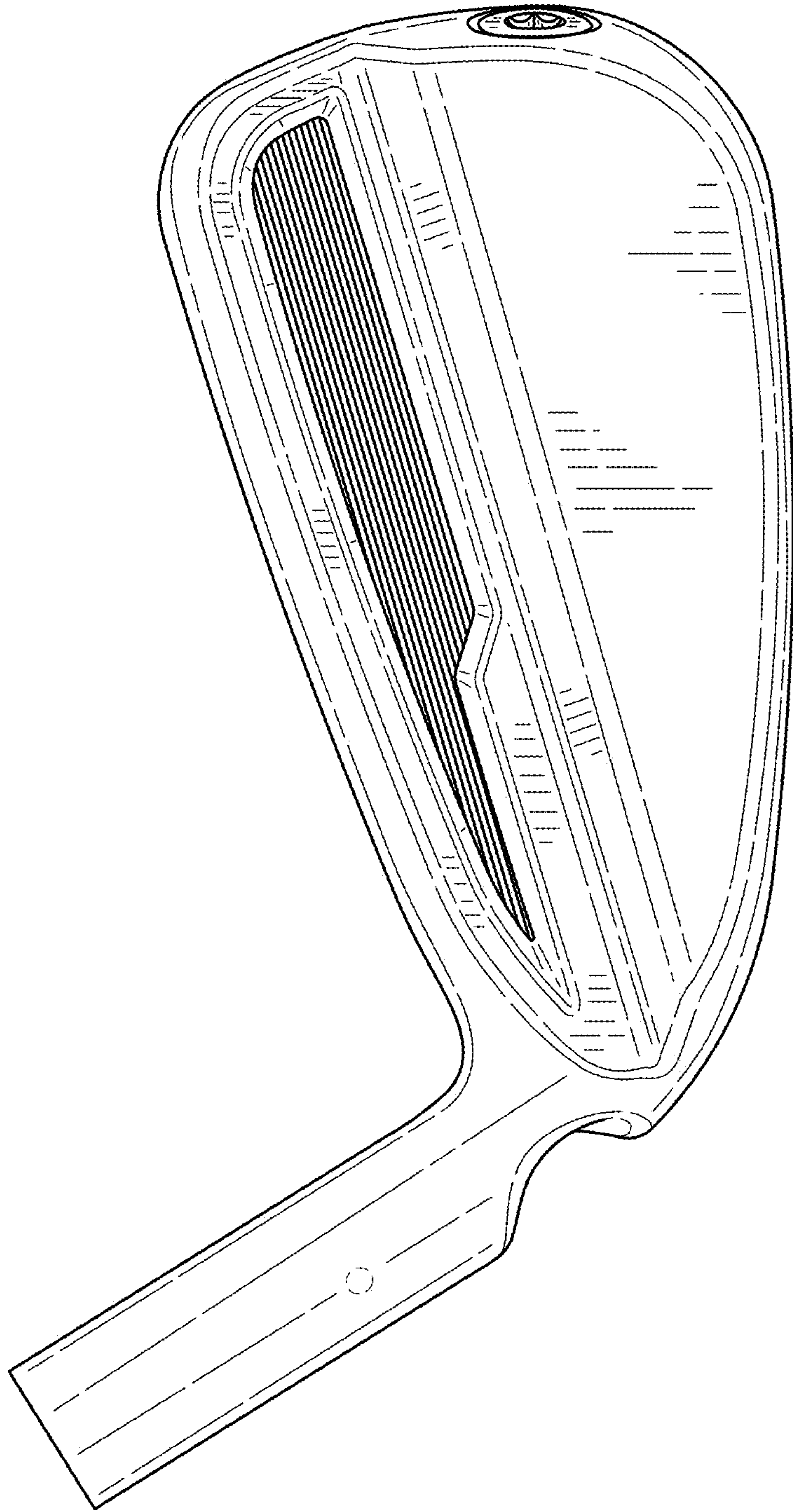
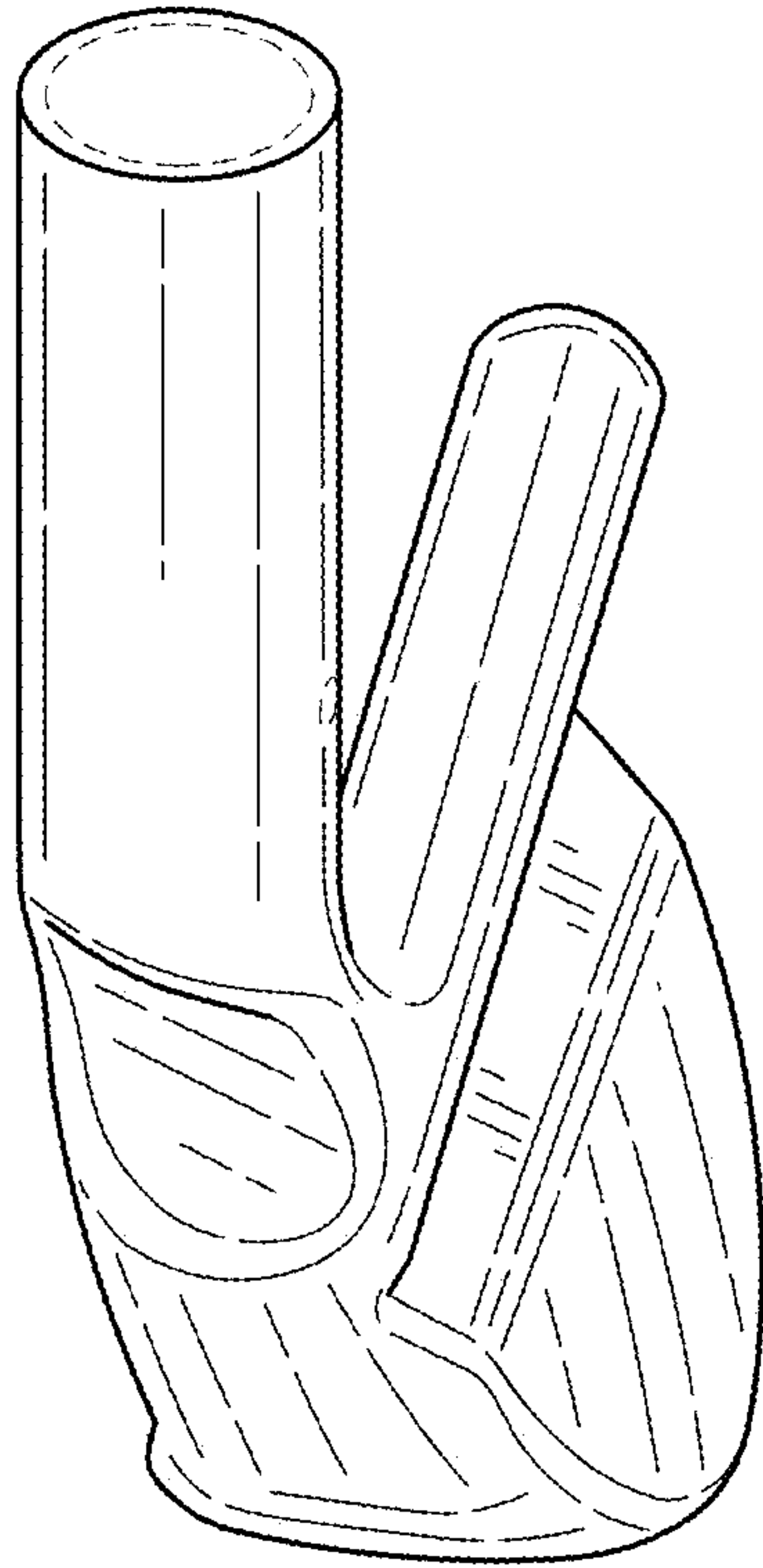
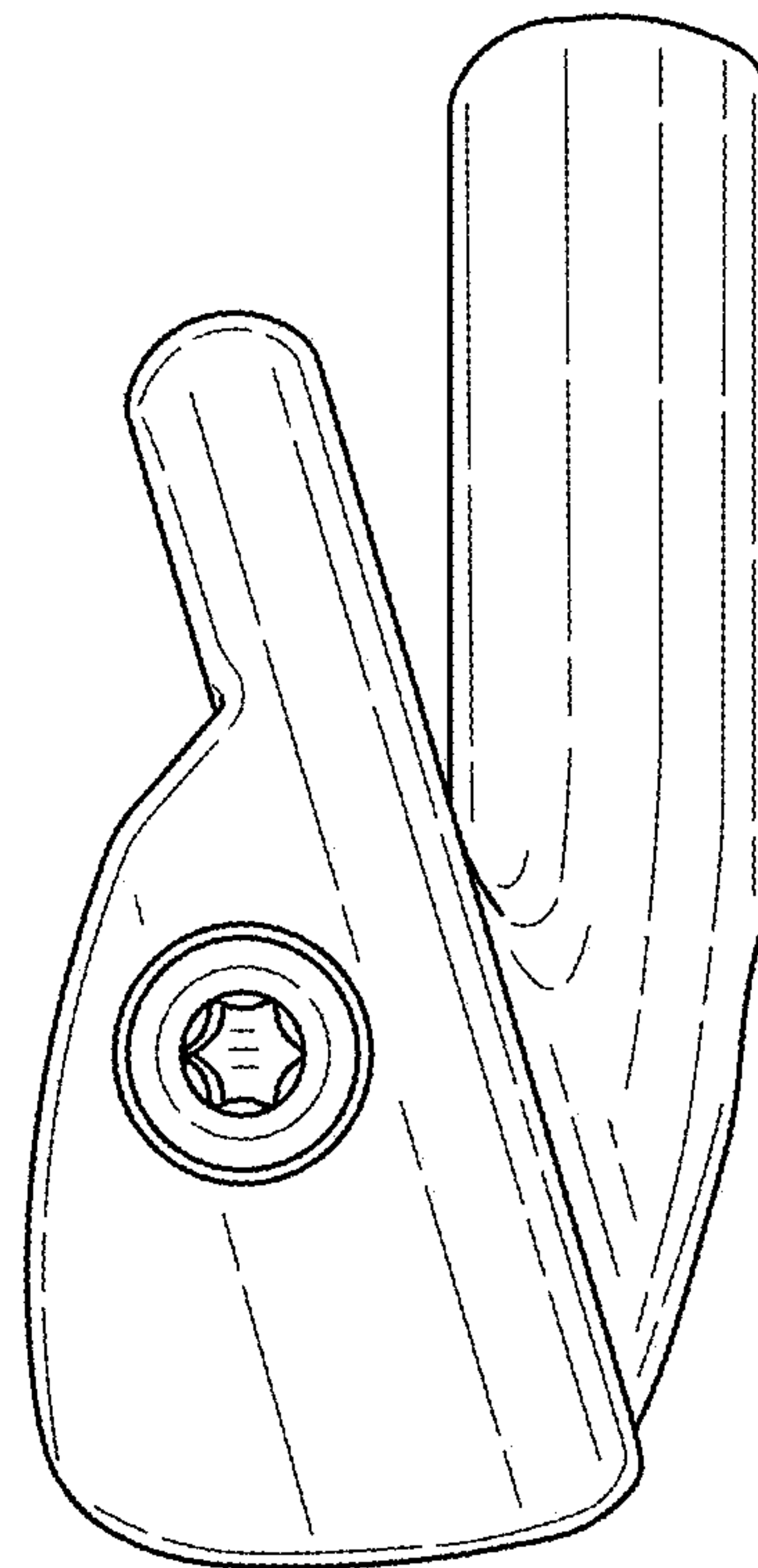


FIG. 6



**FIG. 7**



**FIG. 8**