



US00D917639S

(12) **United States Design Patent**  
**Manley**

(10) **Patent No.:** **US D917,639 S**

(45) **Date of Patent:** **\*\* Apr. 27, 2021**

(54) **GOLF BALL RETRIEVER FOR A GOLF CUP**

(71) Applicant: **Christopher Horace Manley**, Bronx, NY (US)

(72) Inventor: **Christopher Horace Manley**, Bronx, NY (US)

(73) Assignee: **Christopher Horace Manley**, Bronx, NY (US)

(\*\*) Term: **15 Years**

(21) Appl. No.: **29/688,015**

(22) Filed: **Apr. 17, 2019**

(51) **LOC (13) Cl.** ..... **21-03**

(52) **U.S. Cl.**  
USPC ..... **D21/721; D21/789**

(58) **Field of Classification Search**  
USPC ..... D21/789-791, 721  
CPC ..... A63B 57/357; A63B 57/40; A63B 57/405;  
A63B 47/02

See application file for complete search history.

(56) **References Cited**

**U.S. PATENT DOCUMENTS**

5,120,063	A *	6/1992	Birchler	.....	A63B 57/357 473/180
D504,482	S *	4/2005	Webb	.....	D21/789
7,266,916	B2 *	9/2007	Spiro	.....	G09F 23/00 40/606.03
7,431,658	B2 *	10/2008	Priegel	.....	A63B 57/357 473/175
10,112,088	B1 *	10/2018	Moran	.....	A63B 57/357
10,471,316	B1 *	11/2019	Bartlett	.....	A63B 47/02
10,500,456	B1 *	12/2019	Cardone	.....	A63B 47/02
2003/0228922	A1 *	12/2003	Joswick	.....	G09F 23/0066 473/175

2003/0228923	A1 *	12/2003	Joswick	.....	G09F 23/0066 473/175
2008/0171609	A1 *	7/2008	Priegel	.....	A63B 57/40 473/176
2009/0197691	A1 *	8/2009	Mullen	.....	A63B 57/357 473/176
2020/0289903	A1 *	9/2020	Reilly	.....	A63B 57/40
2020/0353331	A1 *	11/2020	Renke	.....	A63B 57/357

\* cited by examiner

*Primary Examiner* — Mitchell I. Siegel

(74) *Attorney, Agent, or Firm* — McHale & Slavin, P.A.

(57) **CLAIM**

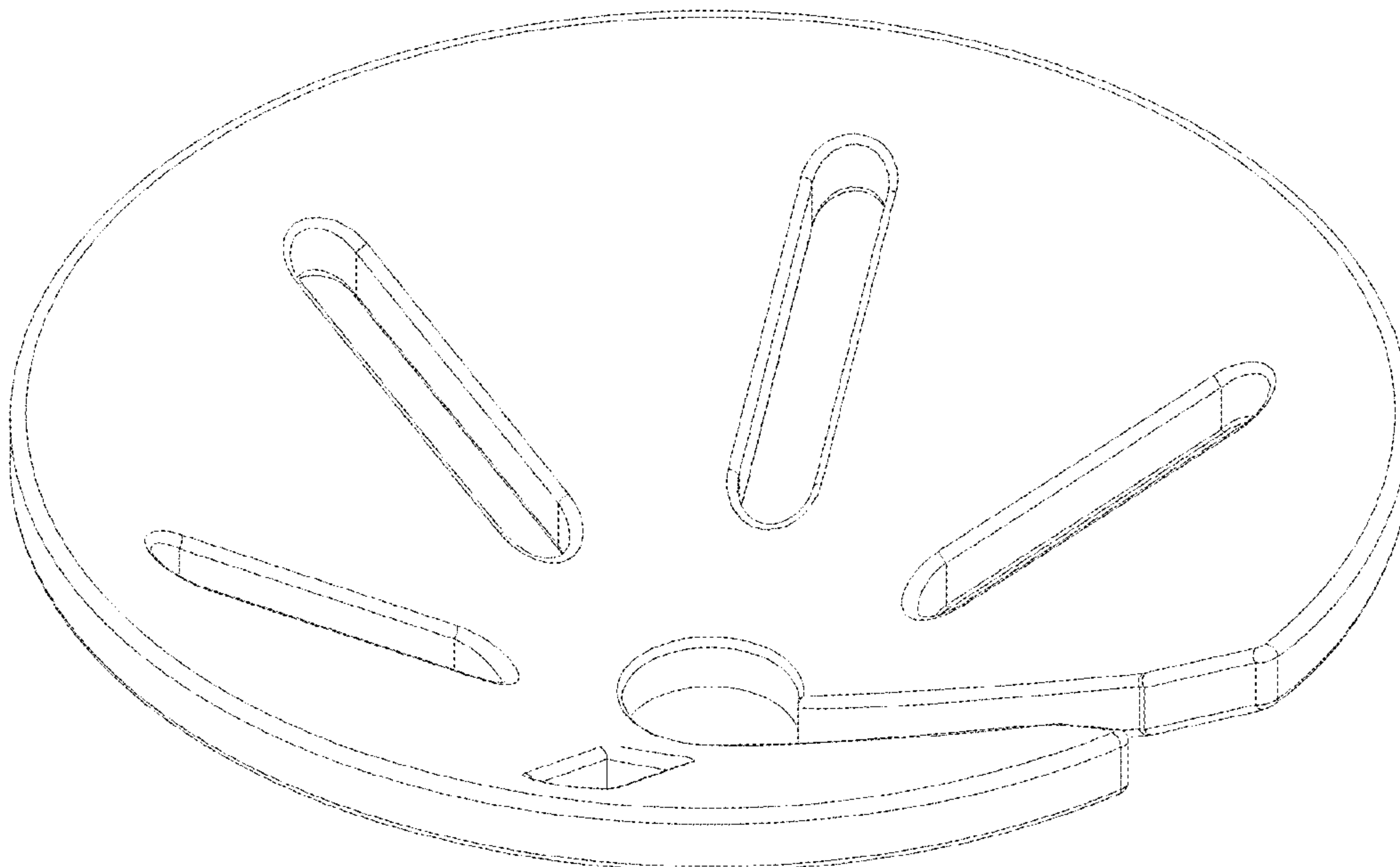
The ornamental design for a golf ball retriever for a golf cup, as shown and described.

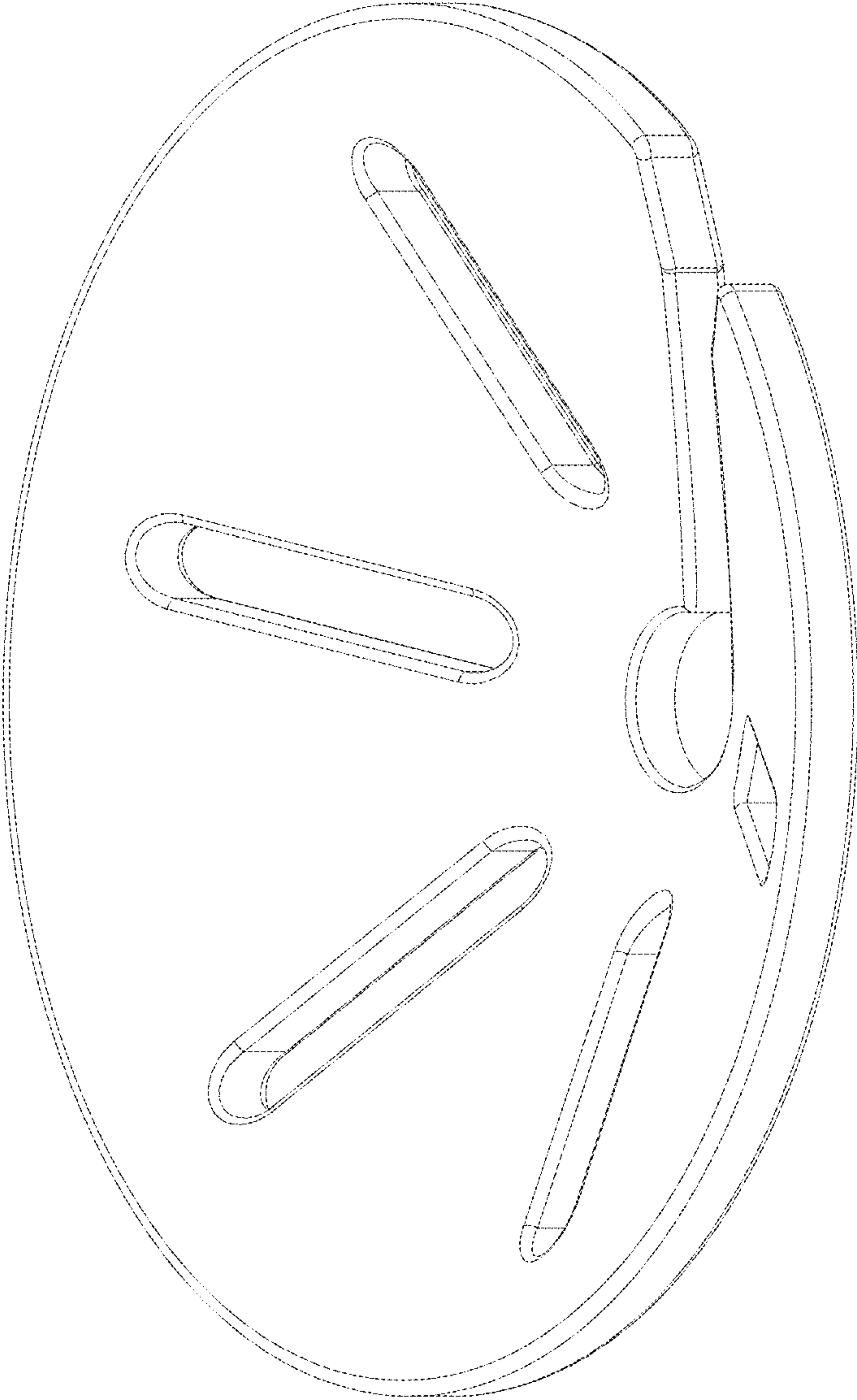
**DESCRIPTION**

FIG. 1 is a top front left perspective view of the golf ball retriever for a golf cup of the present invention; FIG. 2 is a top front right perspective view thereof; FIG. 3 is a bottom front left perspective view thereof; FIG. 4 is a bottom front right perspective view thereof; FIG. 5 is a top view thereof; FIG. 6 is a bottom view thereof; FIG. 7 is a left side view thereof; FIG. 8 is a front view thereof; FIG. 9 is a right side view thereof; FIG. 10 is a rear view thereof; and, FIG. 11 is a top perspective environmental view thereof illustrating the golf ball retriever for a golf cup being inserted into a golf cup.

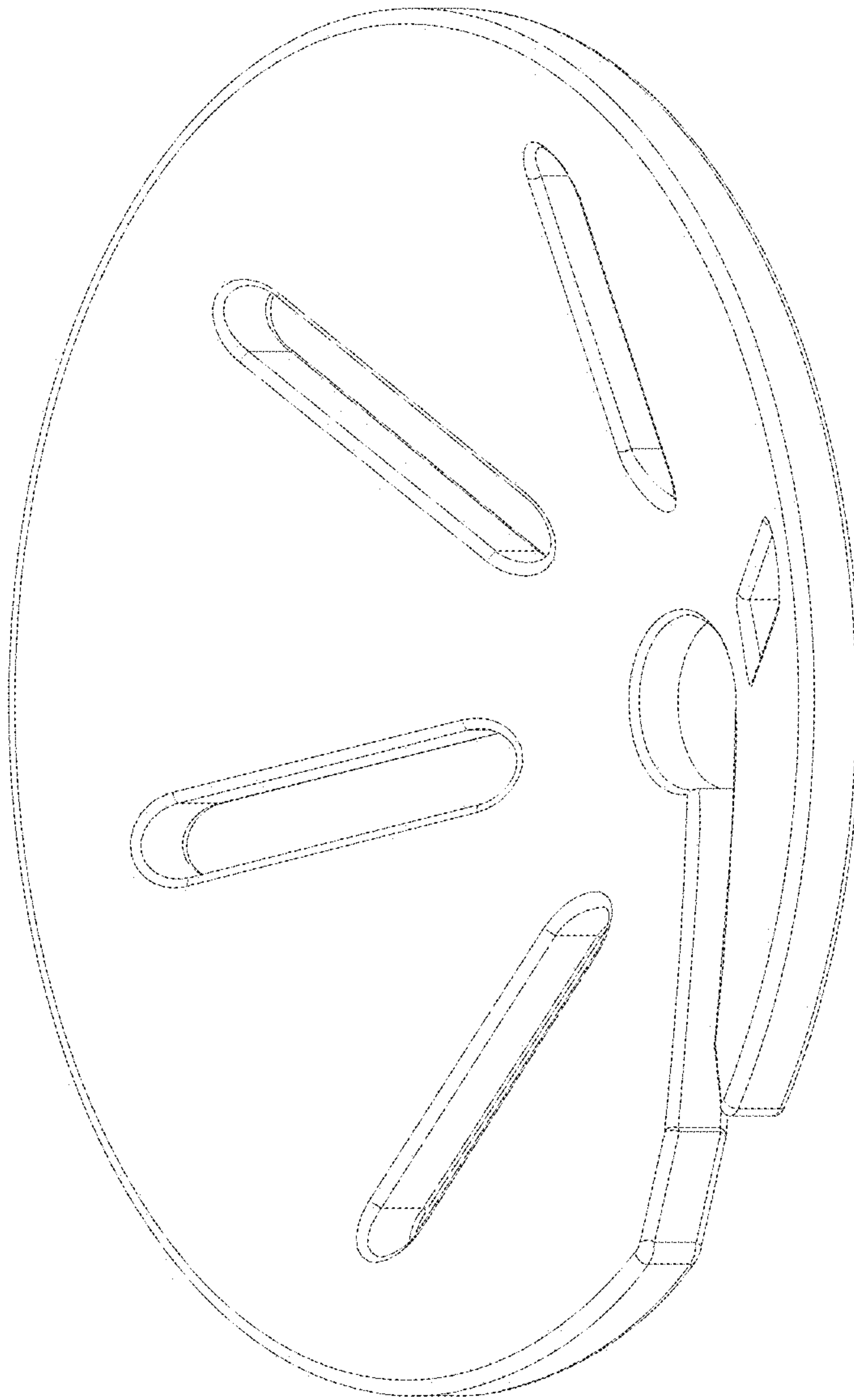
The portions of the golf ball retriever for a golf cup illustrated in broken lines forms no part of the claim for the golf ball retriever for a golf cup design.

**1 Claim, 11 Drawing Sheets**

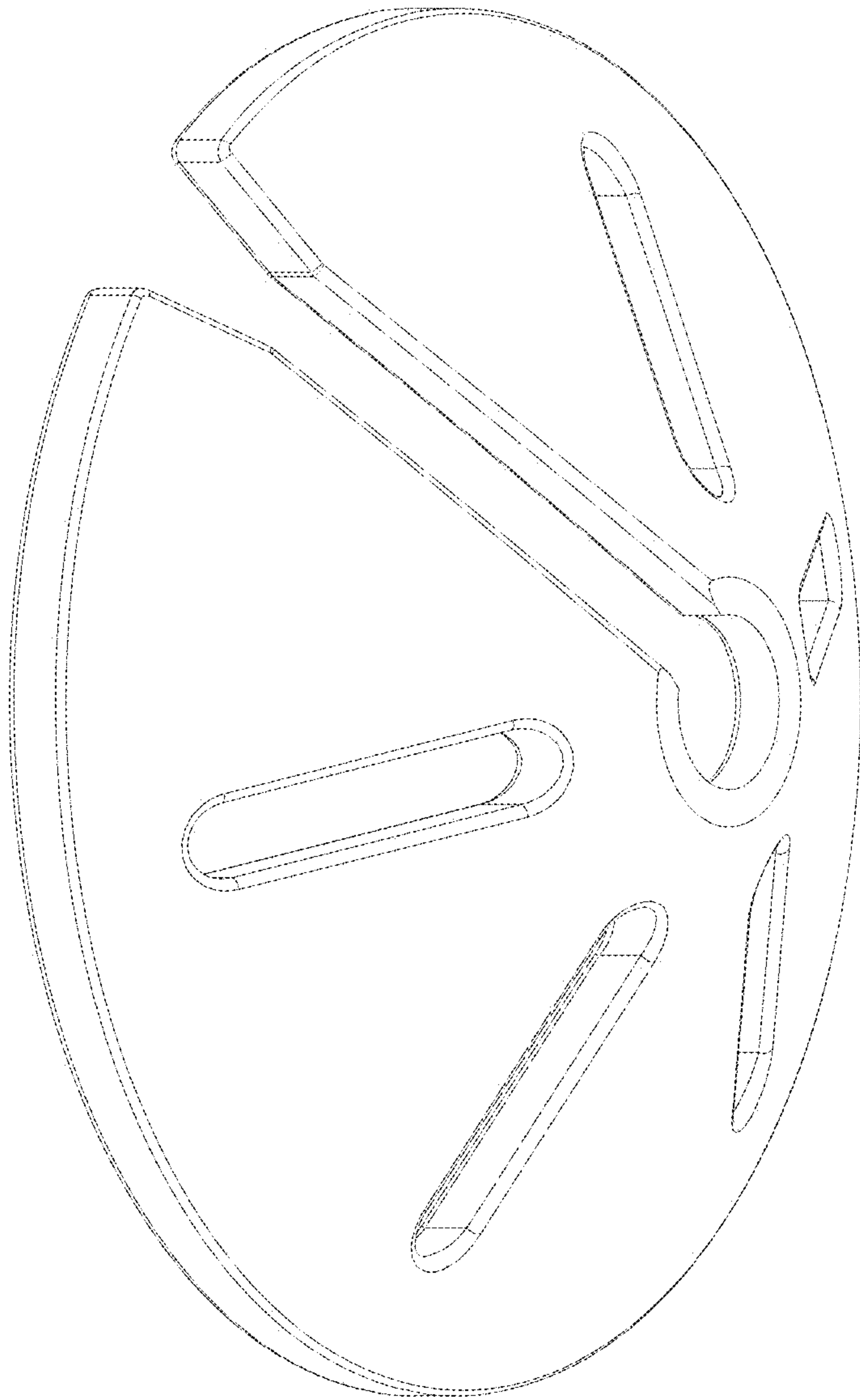




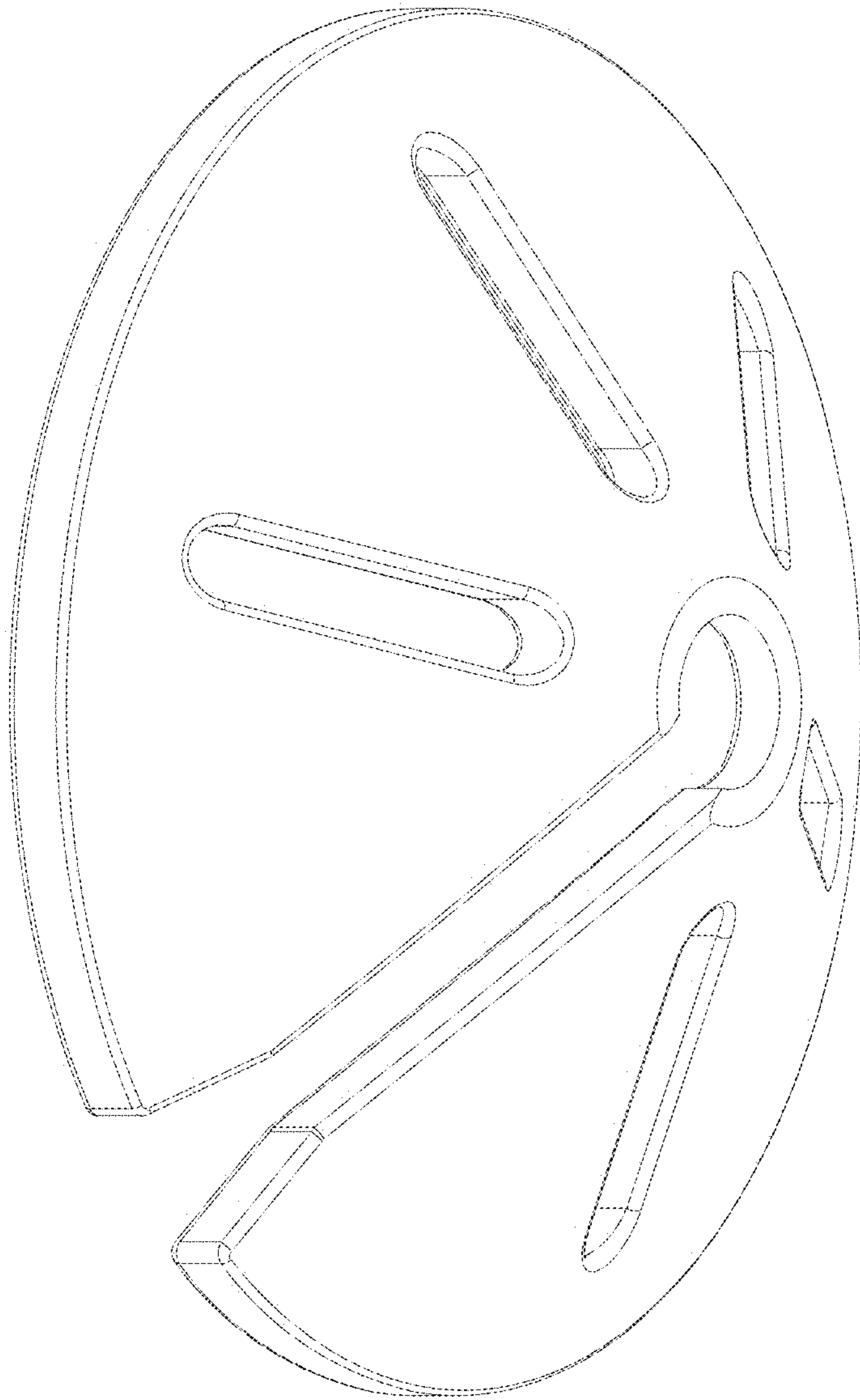
**Fig. 1**



**Fig. 2**

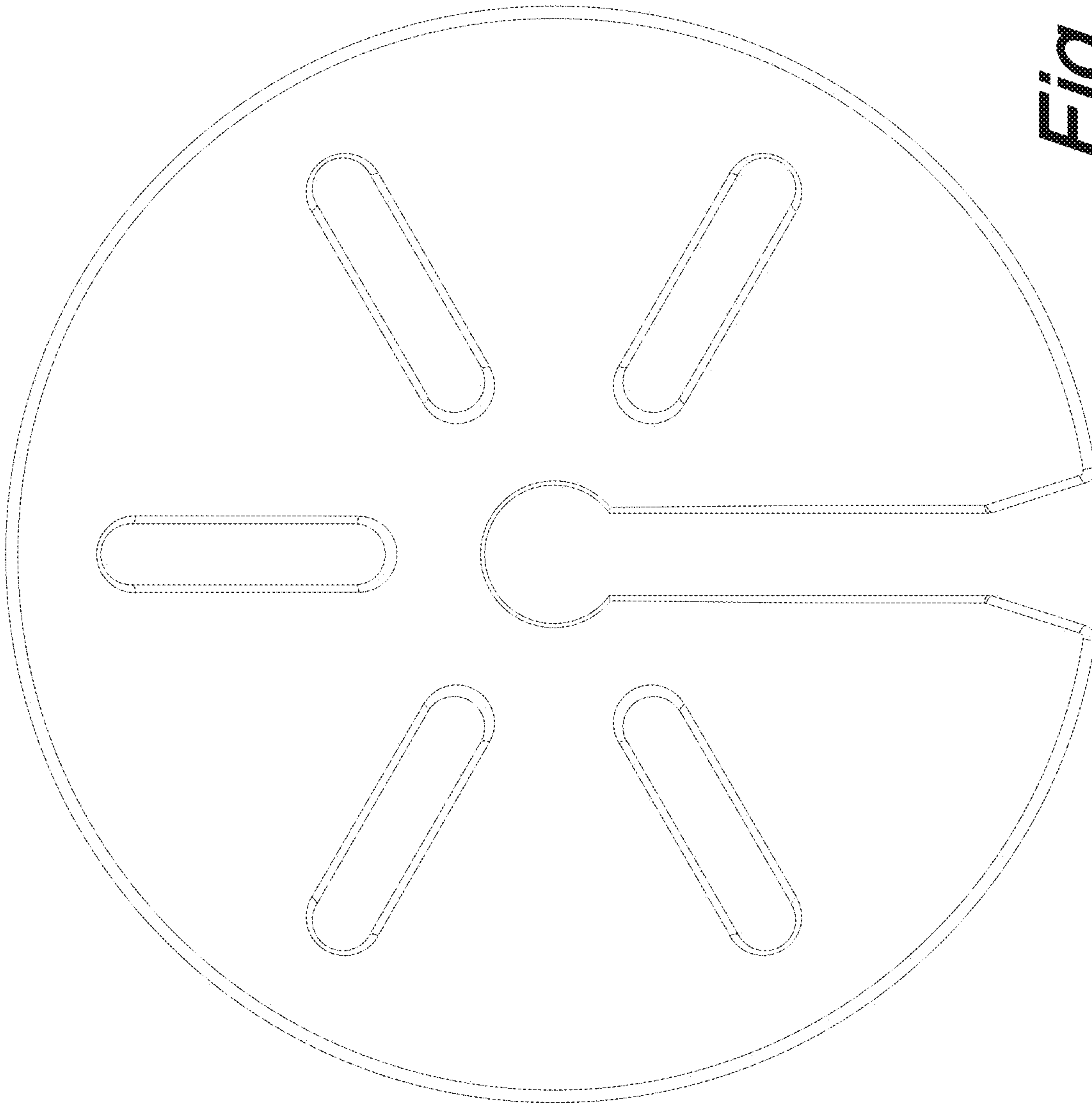


**Fig. 3**

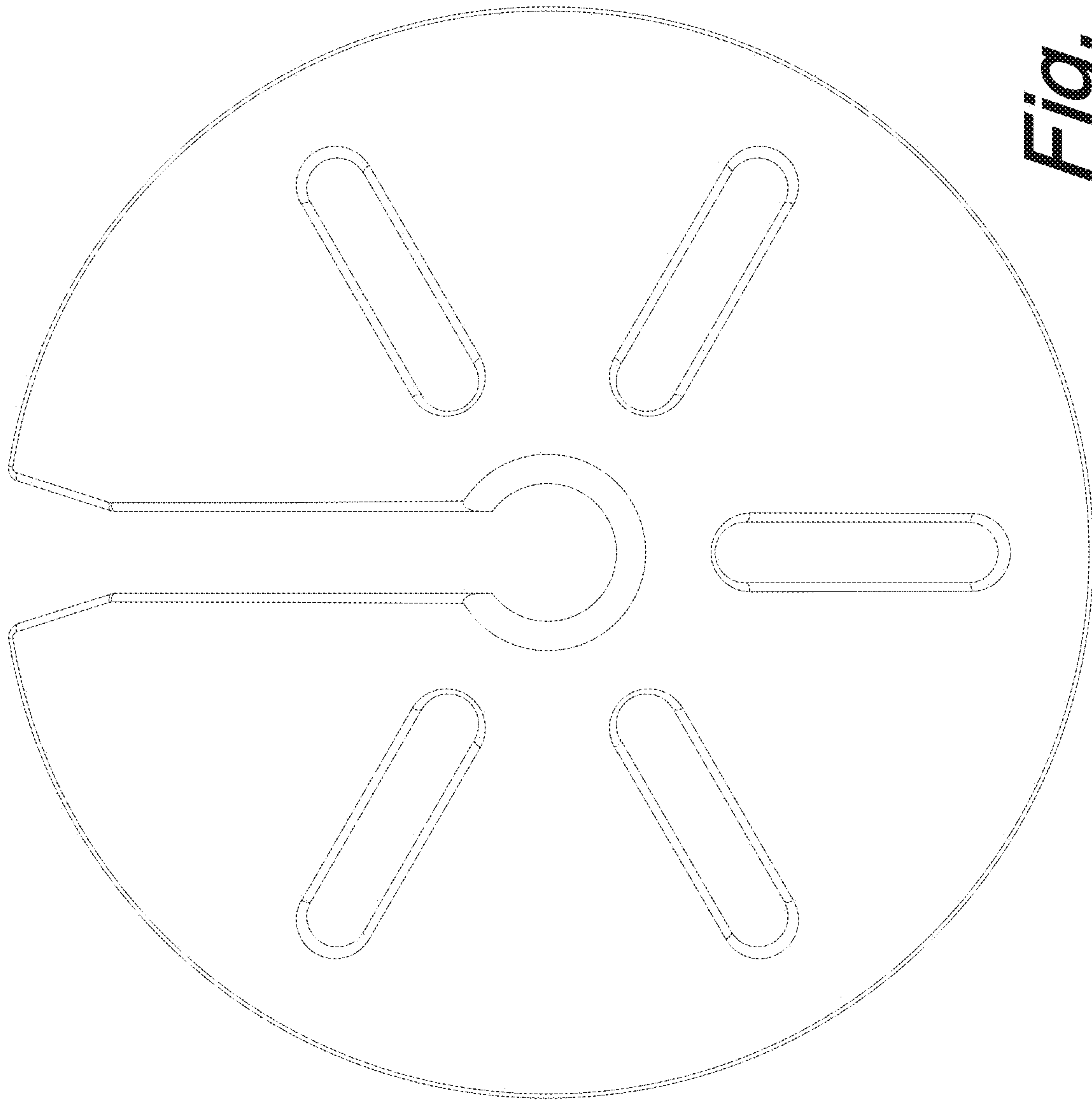


**Fig. 4**

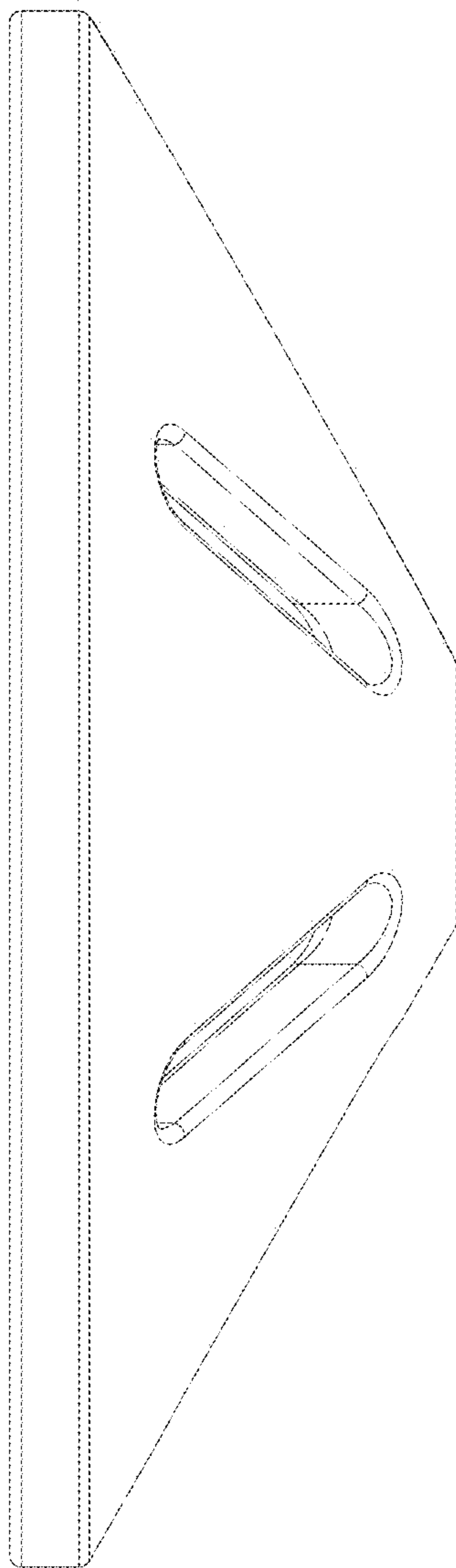




**Fig. 5**

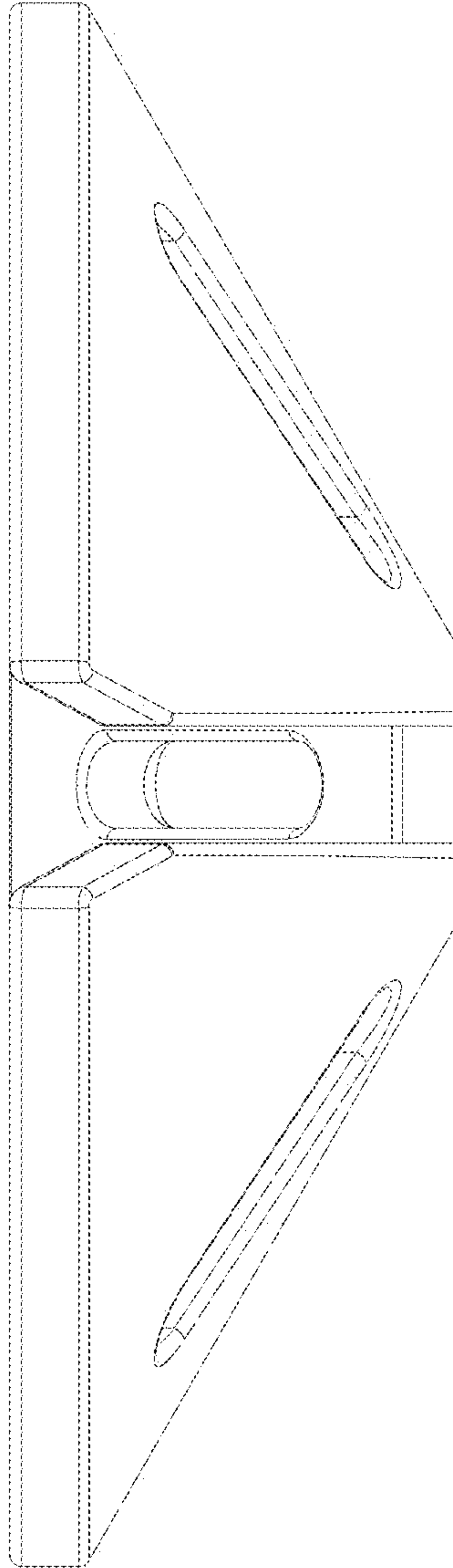


**Fig. 6**

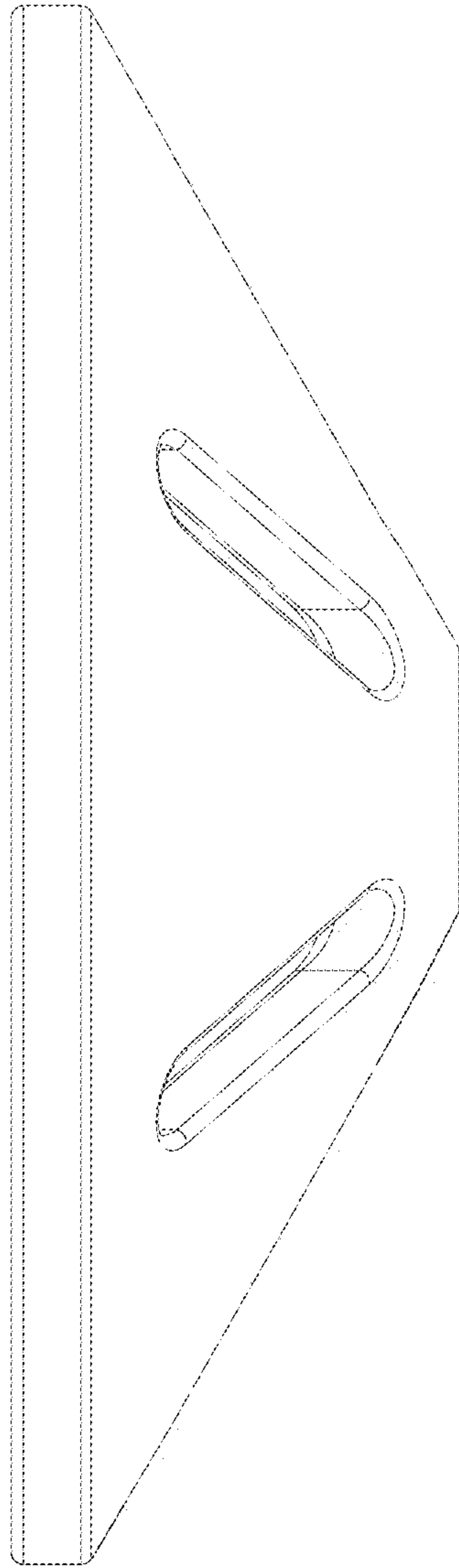


**Fig. 7**

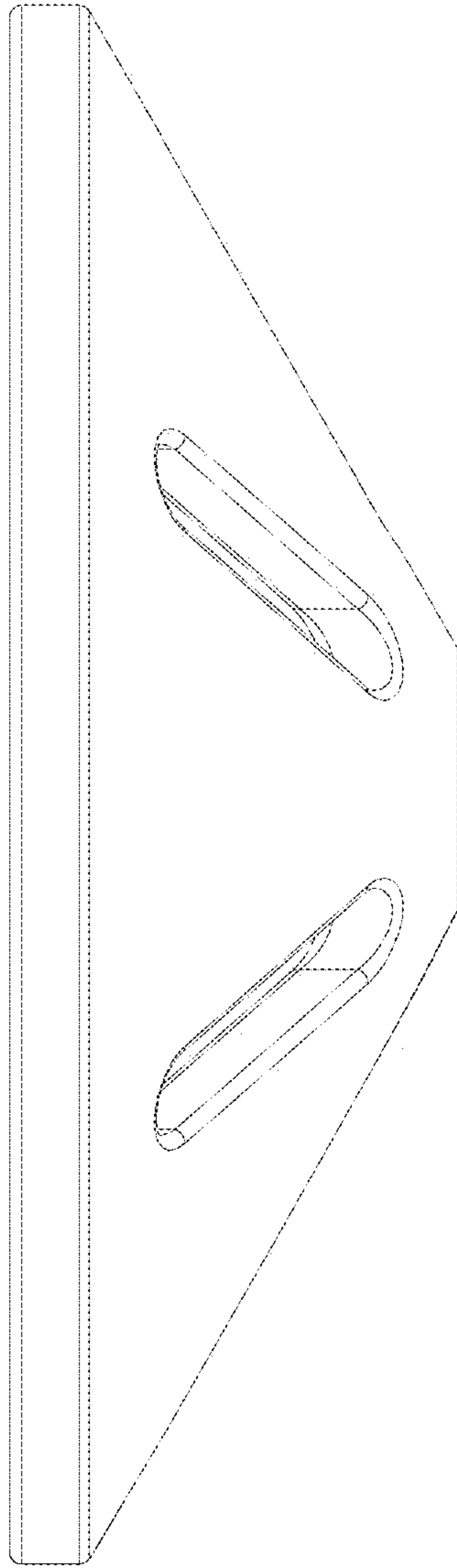




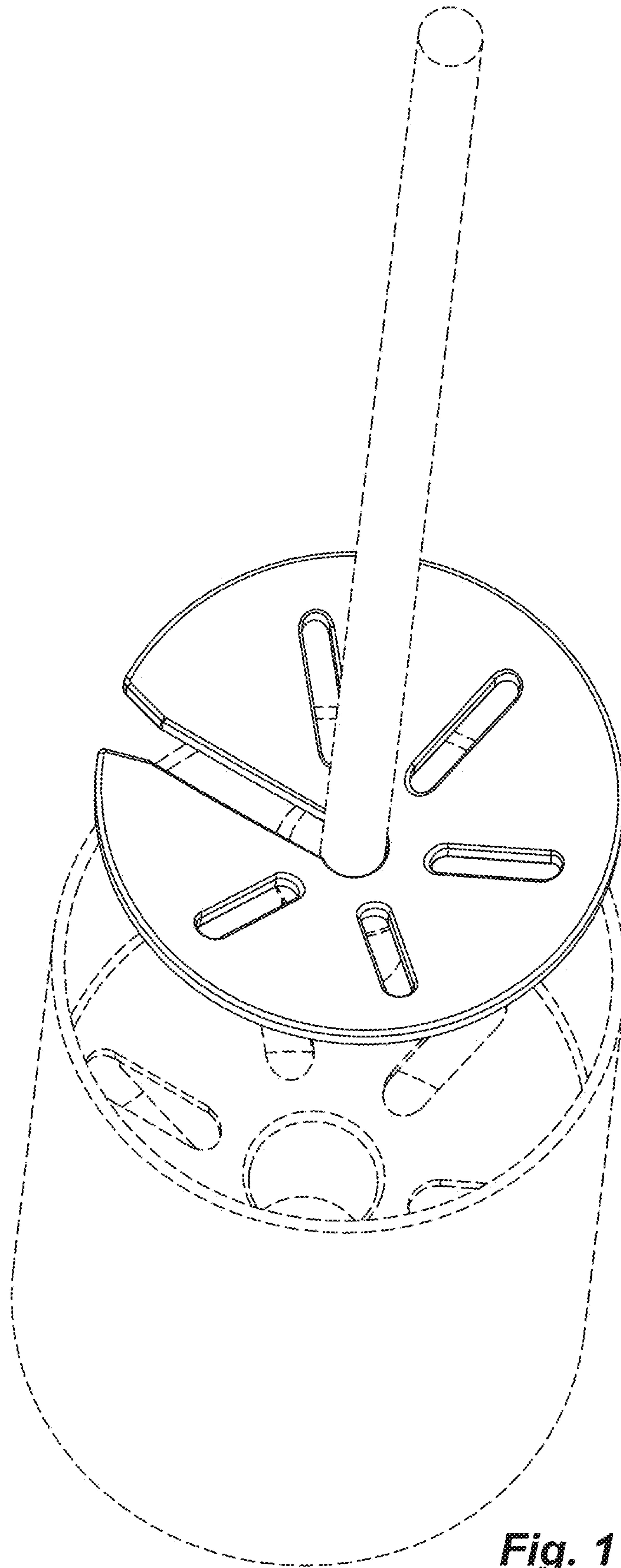
**Fig. 8**



**Fig. 9**



**Fig. 10**



**Fig. 11**