



US00D917638S

(12) **United States Design Patent**
Paulson

(10) **Patent No.:** **US D917,638 S**
(45) **Date of Patent:** **** Apr. 27, 2021**

- (54) **BALL MOWER BUMPER TIP**
- (71) Applicant: **Jay B Paulson**, Kailua Kona, HI (US)
- (72) Inventor: **Jay B Paulson**, Kailua Kona, HI (US)
- (**) Term: **15 Years**
- (21) Appl. No.: **29/647,565**
- (22) Filed: **May 14, 2018**
- (51) **LOC (13) Cl.** **21-02**
- (52) **U.S. Cl.**
USPC **D21/721; D34/27**
- (58) **Field of Classification Search**
USPC D21/721, 799.1; D8/402; D34/14, 24,
D34/26, 27, 28; D15/17, 27, 28, 29, 32,
D15/199; 473/460, 503; 294/19.2;
414/439, 440
CPC A63B 47/02; A63B 47/021; A63B 47/024;
A63B 2047/022; A63B 2102/02; A63B
71/0045; A63B 2225/30
See application file for complete search history.

(56) **References Cited**
U.S. PATENT DOCUMENTS

- 2,817,405 A * 12/1957 Pearson A63D 5/02
171/63
- 3,485,398 A * 12/1969 Maximilian A63B 47/021
414/440
- D217,483 S * 5/1970 Jackson D21/738
- 3,566,893 A * 3/1971 Richardson A63B 47/021
134/115 R
- 3,593,868 A * 7/1971 Folz A63B 47/021
414/440
- 3,893,286 A * 7/1975 Buttram A01D 51/002
56/328.1
- 4,077,533 A * 3/1978 Meyer A63B 47/021
414/440
- 4,221,524 A * 9/1980 Morris A63B 47/021
198/509

- 4,844,527 A * 7/1989 Ray A63B 47/021
294/19.2
- 5,147,100 A * 9/1992 Frankel A63B 47/021
294/19.2
- 8,602,711 B1 * 12/2013 Nash A63B 47/021
414/440
- 9,480,885 B1 * 11/2016 Tarwater A63B 47/021
- 2006/0082171 A1 * 4/2006 Olmstead A63B 47/021
294/19.2
- 2013/0064631 A1 * 3/2013 Leyco A63B 47/021
414/439

(Continued)

FOREIGN PATENT DOCUMENTS

- CH 662058 A5 * 9/1987 A63B 47/021
- DE 102016110358 A1 * 12/2017 A63B 47/021

(Continued)

OTHER PUBLICATIONS

Sabertooth Bumper Tips shown on webpage: <https://www.sabertoothbumpertips.com/> [accessed on Dec. 22, 2020] (Year: 2020).*

(Continued)

Primary Examiner — Catherine A Tuttle
(74) *Attorney, Agent, or Firm* — Burdick Patents, P.A.;
Sean D. Burdick

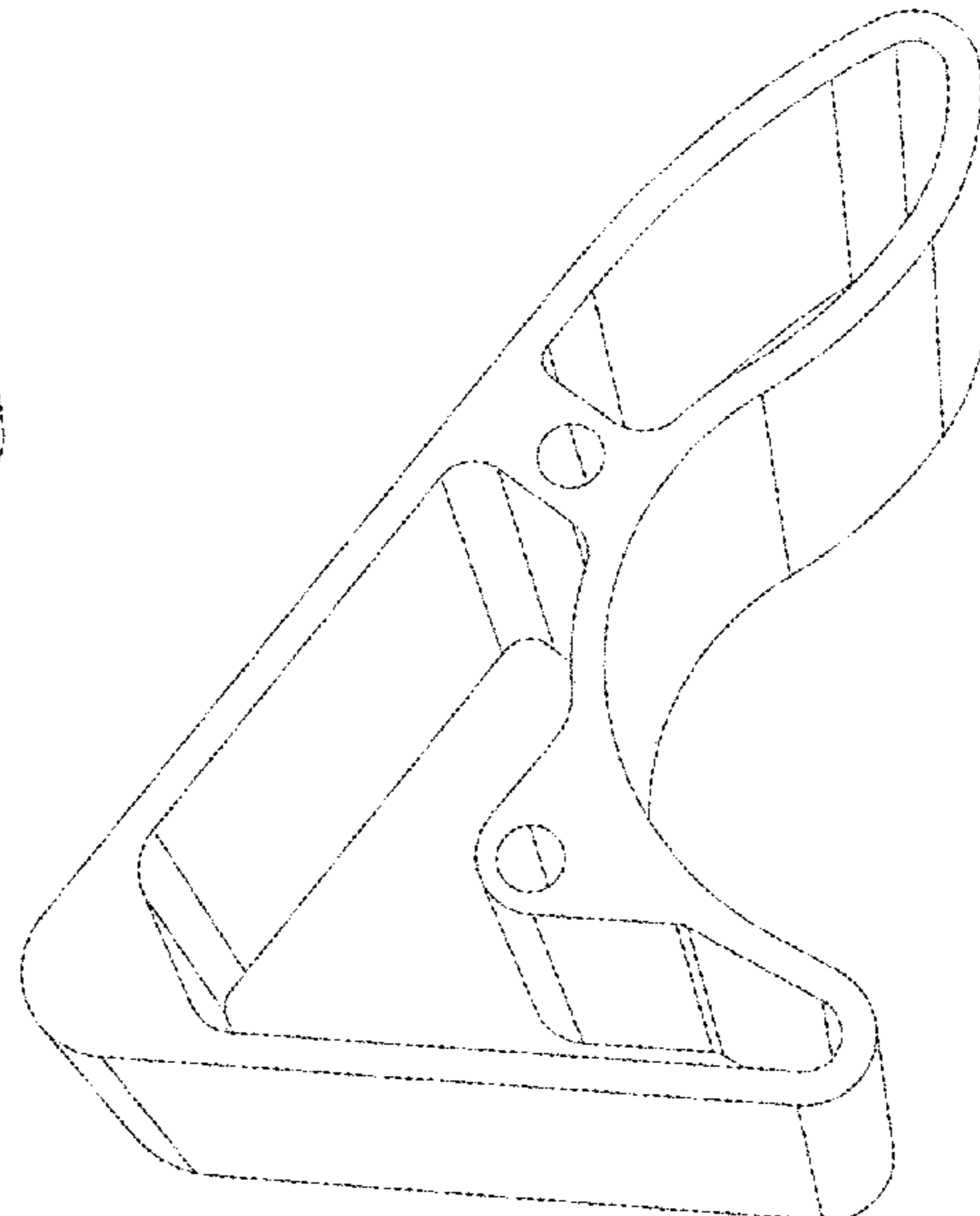
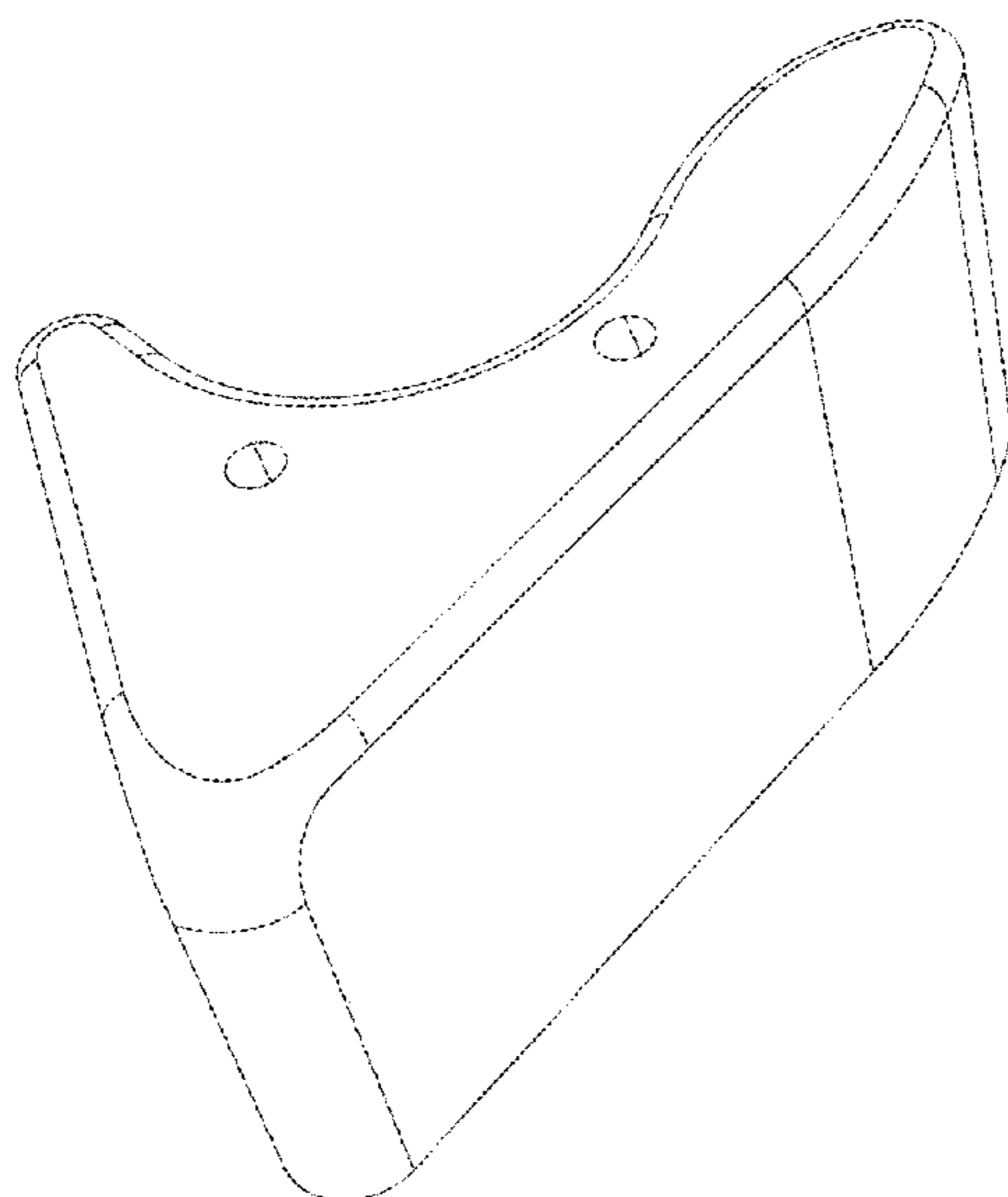
(57) **CLAIM**

The ornamental design for the ball mower bumper tip, as shown.

DESCRIPTION

FIG. 1 is a top perspective view of a ball mower bumper tip, showing my new design.
FIG. 2 is a bottom perspective view thereof.
FIG. 3 is a top view thereof; and,
FIG. 4 is a bottom view thereof.

1 Claim, 4 Drawing Sheets



(56)

References Cited

U.S. PATENT DOCUMENTS

2017/0189769 A1 * 7/2017 Chen A63B 47/021
2018/0272197 A1 * 9/2018 Askenazi A63B 47/02

FOREIGN PATENT DOCUMENTS

FR 2574670 A1 * 6/1986 A63B 47/021
WO WO-2006001678 A1 * 1/2006 A63B 47/021

OTHER PUBLICATIONS

The Playmate Replacement White Bumper Tip Ball Mower shown on webpage: <https://www.amazon.com/Replacennent-White-Bumper-Playmate-Mower/dp/B07662VXB3> Product availability date: Oct. 5, 2017 [Accessed on Dec. 22, 2020] (Year: 2020).*

* cited by examiner

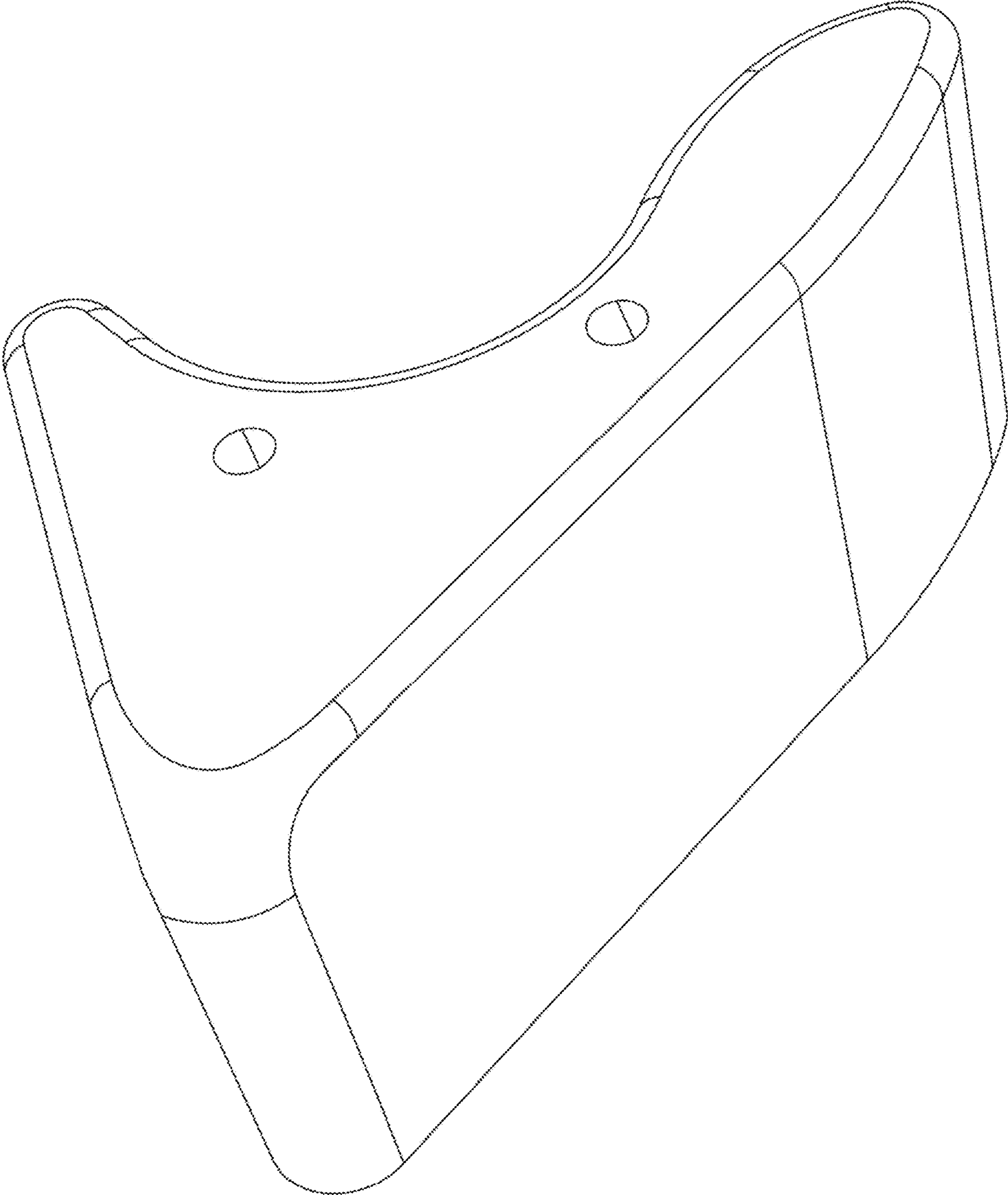


FIG. 1

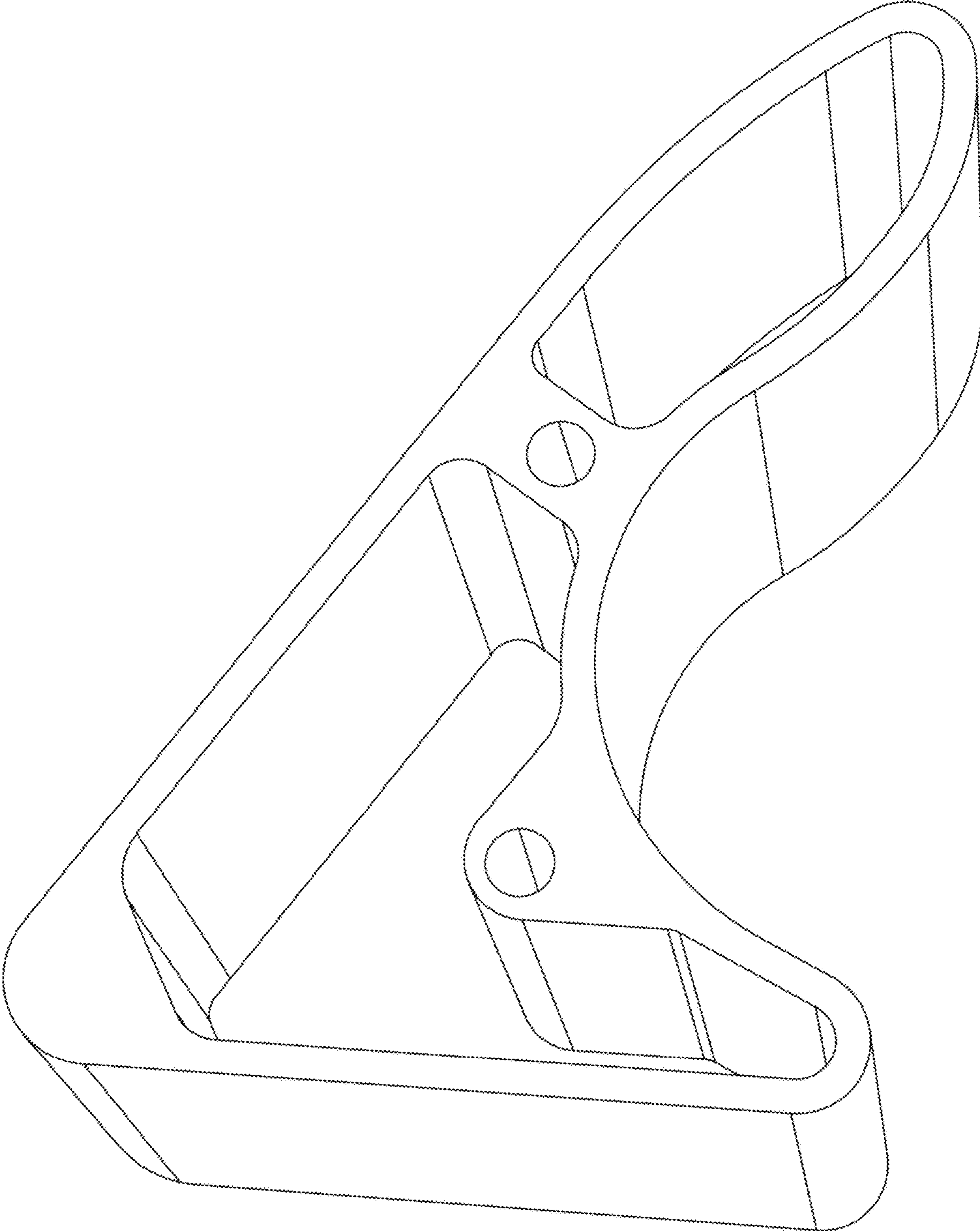


FIG. 2

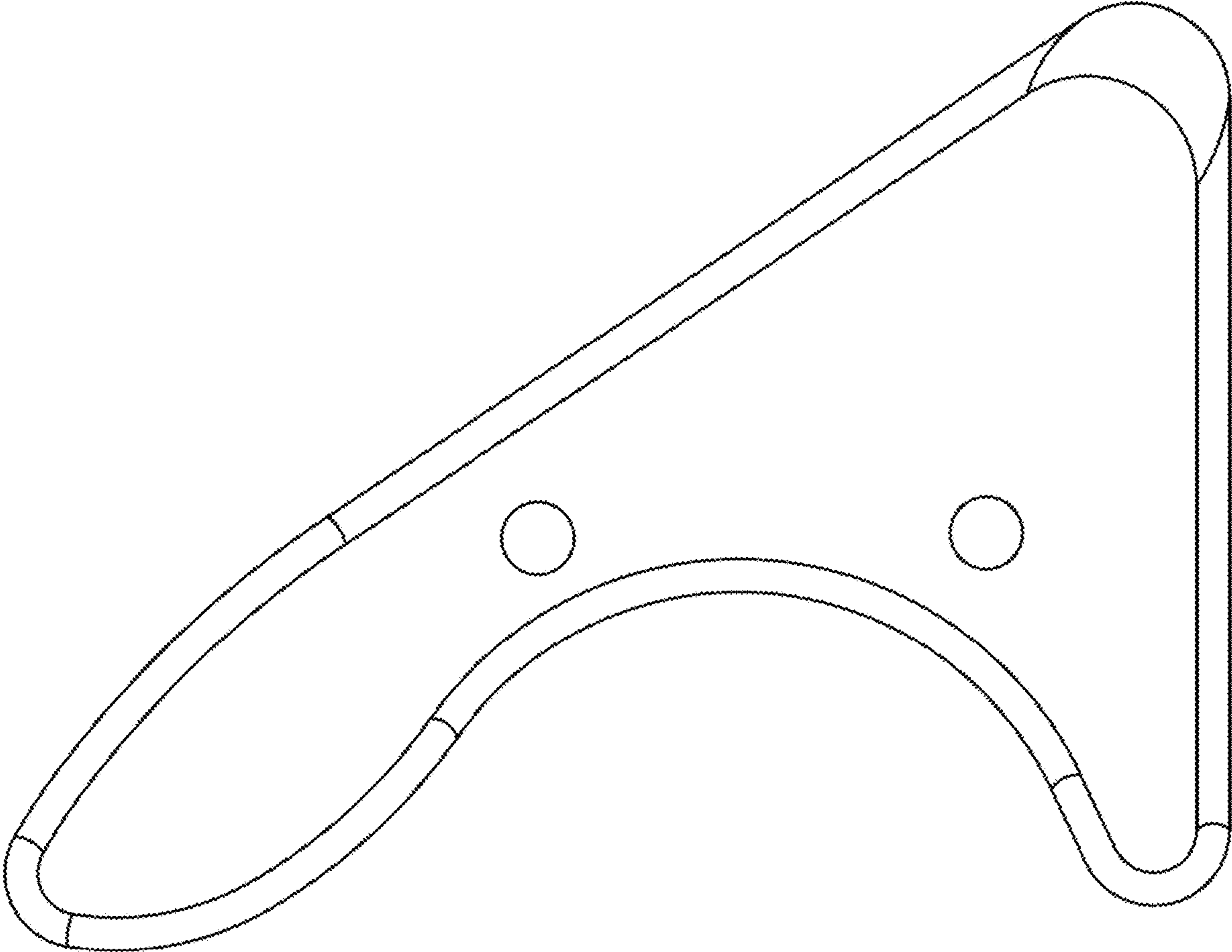


FIG. 3

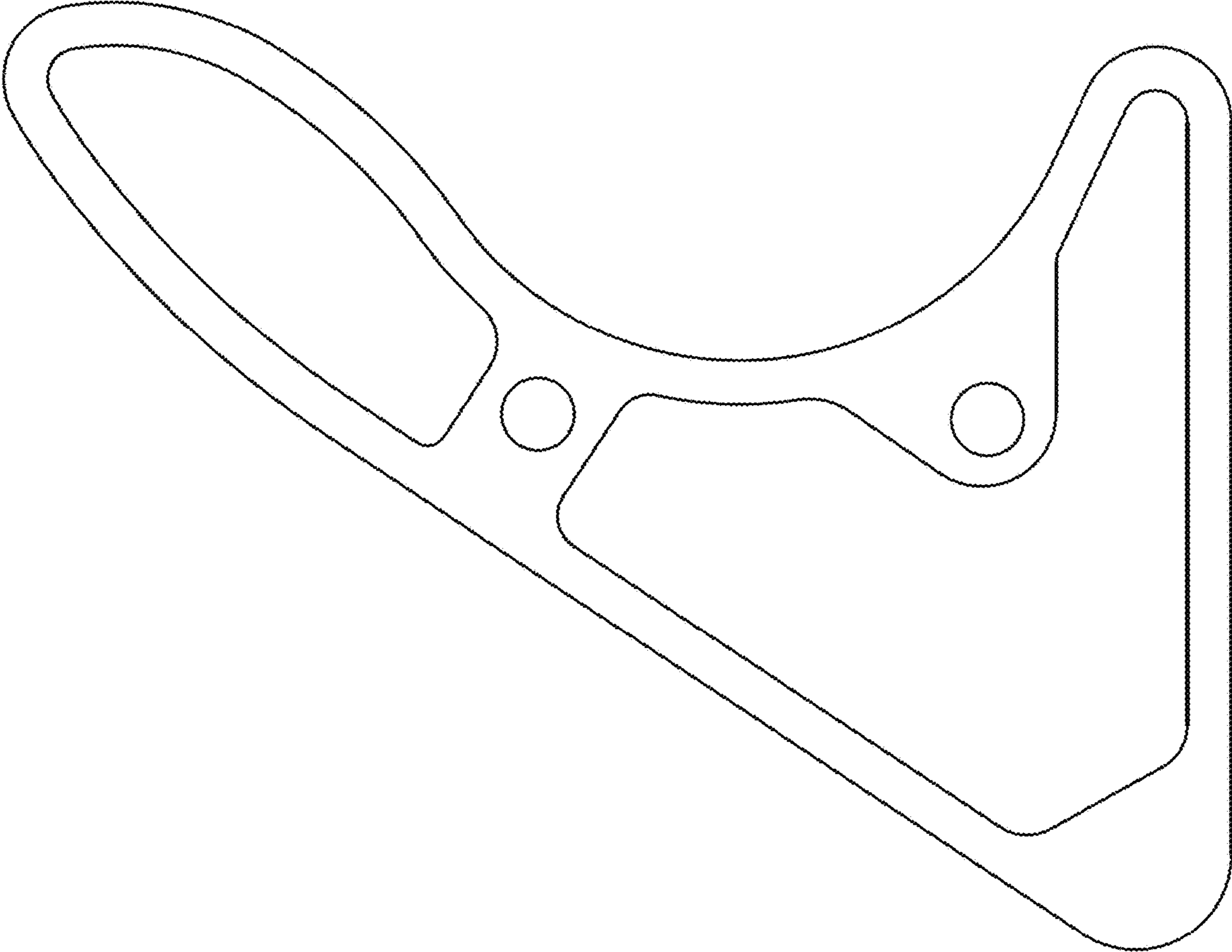


FIG. 4