



US00D917637S

(12) **United States Design Patent** (10) **Patent No.:** **US D917,637 S**  
**Morales** (45) **Date of Patent:** **\*\* Apr. 27, 2021**

(54) **SOCCER TRAINING DEVICE**

FOREIGN PATENT DOCUMENTS

(71) Applicant: **Gustavo Morales**, Elmhurst, IL (US)

DE 2251584 A1 \* 5/1973 ..... A63B 57/40  
GB 191323899 A \* 9/1914 ..... A63B 57/357

(72) Inventor: **Gustavo Morales**, Elmhurst, IL (US)

(Continued)

(\*\*) Term: **15 Years**

*Primary Examiner* — Catherine A Tuttle

(21) Appl. No.: **29/646,094**

(74) *Attorney, Agent, or Firm* — Evan Law Group LLC

(22) Filed: **May 1, 2018**

(51) **LOC (13) Cl.** ..... **21-02**

(57) **CLAIM**

(52) **U.S. Cl.**

The ornamental design for a soccer training device, as shown and described.

USPC ..... **D21/716**; D21/698

(58) **Field of Classification Search**

**DESCRIPTION**

USPC ..... D21/302, 303, 309, 466, 698, 699, 700,  
D21/706, 715-717, 719, 780, 781, 785,  
D21/787, 789-791, 794, 796, 799.1;  
D6/708.2, 708.25, 710, 712, 552;  
D8/374, 375, 400; D10/46.1, 113.2,  
D10/114.6; D25/38.1, 126, 128, 129,  
D25/131, 133, 135; D11/130.1, 181, 182;  
D26/9, 22, 23, 93, 96, 110, 113, 138,  
D26/142, 149, 153; 473/410, 411, 417,  
473/422, 423, 429, 434, 446, 467, 471,  
473/476, 492

FIG. 1 is a front, top, and side perspective view of a first embodiment of a soccer training device, showing my design; FIG. 2 is a top plan view thereof; FIG. 3 is a front elevational view thereof, the back and side views being identical; and FIG. 4 is a bottom plan view thereof. FIG. 5 is a front, top, and side perspective view of a second embodiment of a soccer training device, showing my design; FIG. 6 is a top plan view thereof; FIG. 7 is a front elevational view thereof, the back and side views being identical; and FIG. 8 is a bottom plan view thereof. FIG. 9 is a front, top, and side perspective view of a third embodiment of a soccer training device, showing my design; FIG. 10 is a top plan view thereof; FIG. 11 is a front elevational view thereof, the back and side views being identical; and, FIG. 12 is a bottom plan view thereof.

CPC ..... A63B 57/10; A63B 57/20; A63B 57/203;  
A63B 57/40; A63B 57/405; A63B 61/02;  
A63B 63/00; A63B 63/003; A63B  
2063/001; A63B 69/00; A63B 69/0015;  
A63B 69/0073; A63B 69/0075; A63B  
69/0079; A63B 69/0084; A63B 69/0097;  
A63B 2069/008; A63B 71/00; A63B  
71/023; A63B 71/028; A63B 71/03; A63B

(Continued)

The broken lines depict elements of the soccer training device that form no part of the claim to the embodiment in which they are shown.

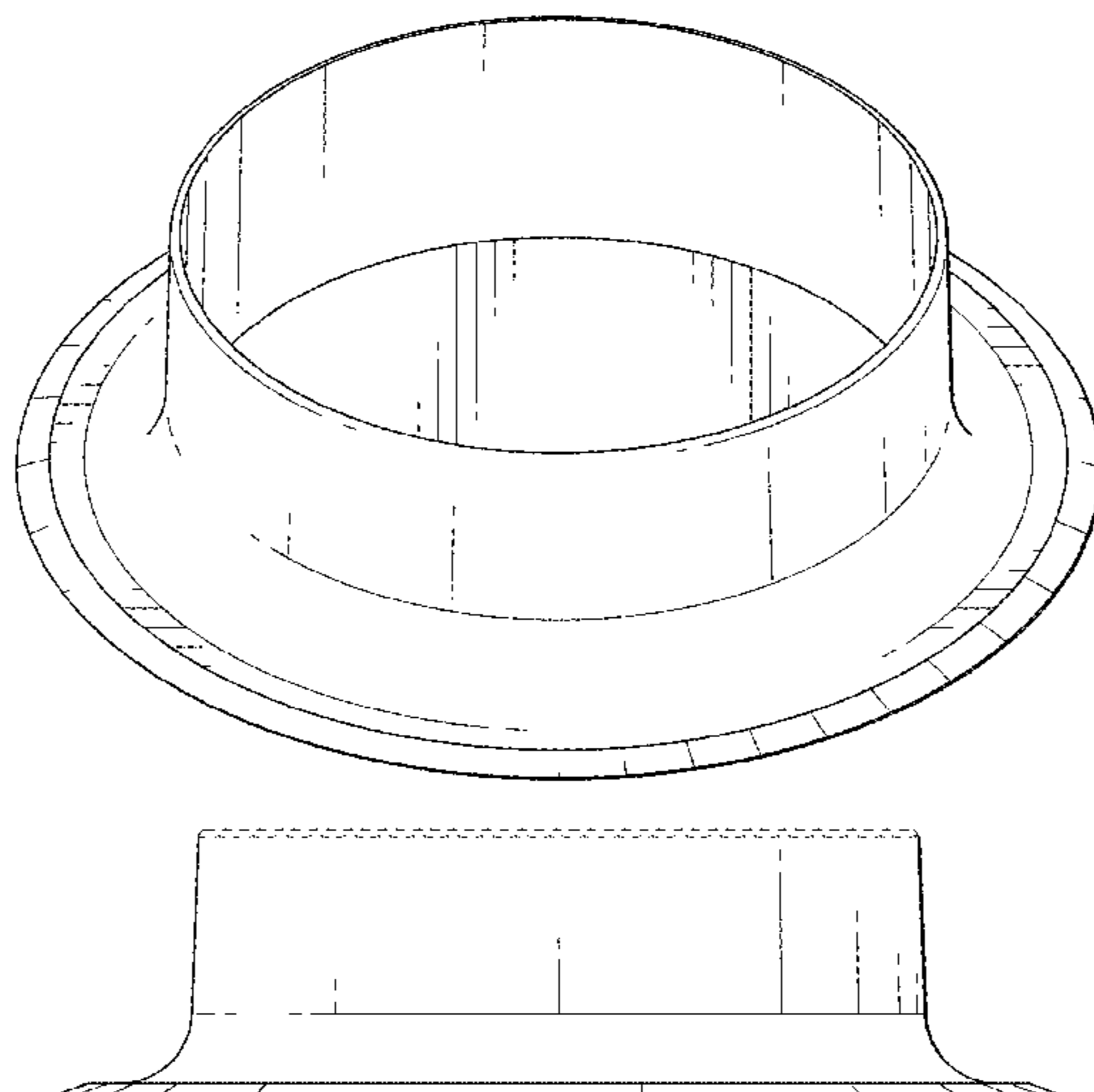
(56) **References Cited**

**1 Claim, 6 Drawing Sheets**

U.S. PATENT DOCUMENTS

D18,747 S \* 11/1888 Thompson ..... D9/500  
654,666 A \* 7/1900 Newton ..... A63B 57/10  
473/394  
D38,718 S \* 8/1907 Barron ..... D99/34

(Continued)



(58) **Field of Classification Search**  
 CPC ..... 2071/026; A63B 69/002; A63B 69/3617;  
 A63B 69/3676; A63B 69/40  
 See application file for complete search history.

(56) **References Cited**

U.S. PATENT DOCUMENTS

1,135,706 A \* 4/1915 Maher ..... A63B 57/357  
 473/187  
 D78,587 S \* 5/1929 Roop ..... D21/717  
 1,823,487 A \* 9/1931 Clear ..... A63B 69/3676  
 473/187  
 1,939,142 A \* 12/1933 Seymour ..... A63B 57/40  
 473/188  
 3,512,262 A \* 5/1970 Smyk ..... A63B 57/40  
 33/555.2  
 D267,981 S \* 2/1983 Montague, Jr. .... D26/96  
 4,647,047 A \* 3/1987 Little ..... A63B 69/3676  
 473/187  
 5,033,747 A \* 7/1991 Young ..... A63B 57/10  
 473/391  
 D339,392 S \* 9/1993 Sims ..... D21/715  
 D360,719 S \* 7/1995 Ring ..... D32/35  
 D390,897 S \* 2/1998 Wade ..... D21/706  
 5,951,414 A \* 9/1999 Sowards ..... A63B 69/0091  
 473/423

D474,404 S \* 5/2003 Tropeano ..... D9/455  
 D617,894 S \* 6/2010 Wright ..... A61B 90/40  
 D24/121  
 8,025,169 B2 \* 9/2011 Zimmerman ..... A47G 19/2261  
 220/23.89  
 D718,389 S \* 11/2014 Pillot ..... D21/302  
 D777,529 S \* 1/2017 Kellow, Jr. .... D7/624.1  
 9,592,430 B1 \* 3/2017 Pollard ..... A63B 63/08  
 D795,957 S \* 8/2017 Metcalf ..... D21/302  
 D814,581 S \* 4/2018 Norcross ..... D21/715  
 D824,543 S \* 7/2018 Crawley ..... D25/133  
 D837,910 S \* 1/2019 Norcross ..... D21/715  
 2009/0264225 A1 \* 10/2009 Lee ..... A63B 57/10  
 473/396  
 2011/0244993 A1 \* 10/2011 Harvey ..... A63B 69/0071  
 473/447  
 2014/0228180 A1 \* 8/2014 Walker ..... A63B 21/065  
 482/82  
 2015/0174441 A1 \* 6/2015 Junaid ..... A63B 71/0622  
 434/247

FOREIGN PATENT DOCUMENTS

GB 222740 A \* 10/1924 ..... A63B 57/357  
 WO WO-9723259 A1 \* 7/1997 ..... A63B 63/06  
 WO WO-03055564 A1 \* 7/2003 ..... A63B 67/02  
 WO WO-2016018452 A1 \* 2/2016 ..... A63B 69/0075

\* cited by examiner

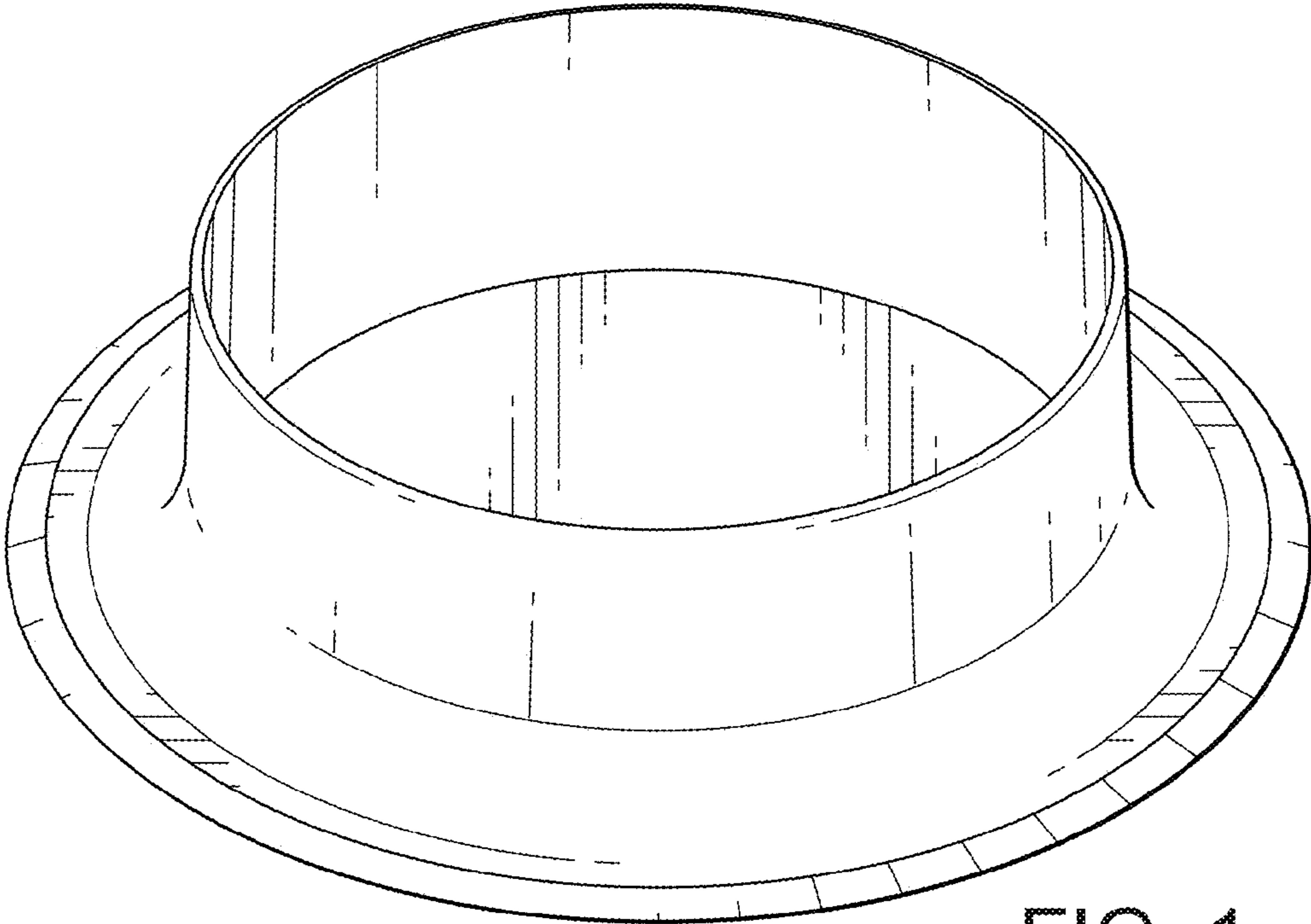


FIG. 1

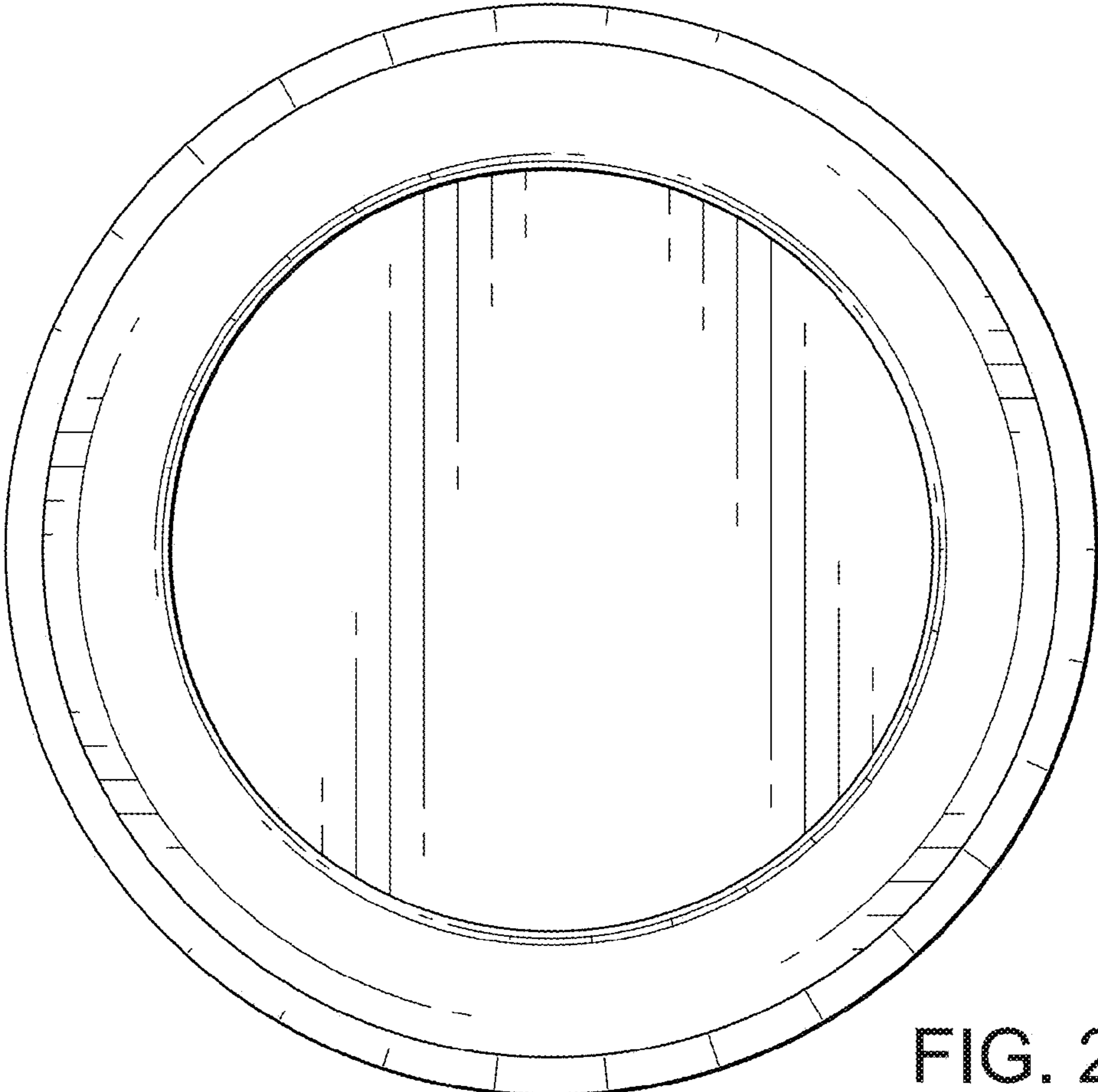


FIG. 2

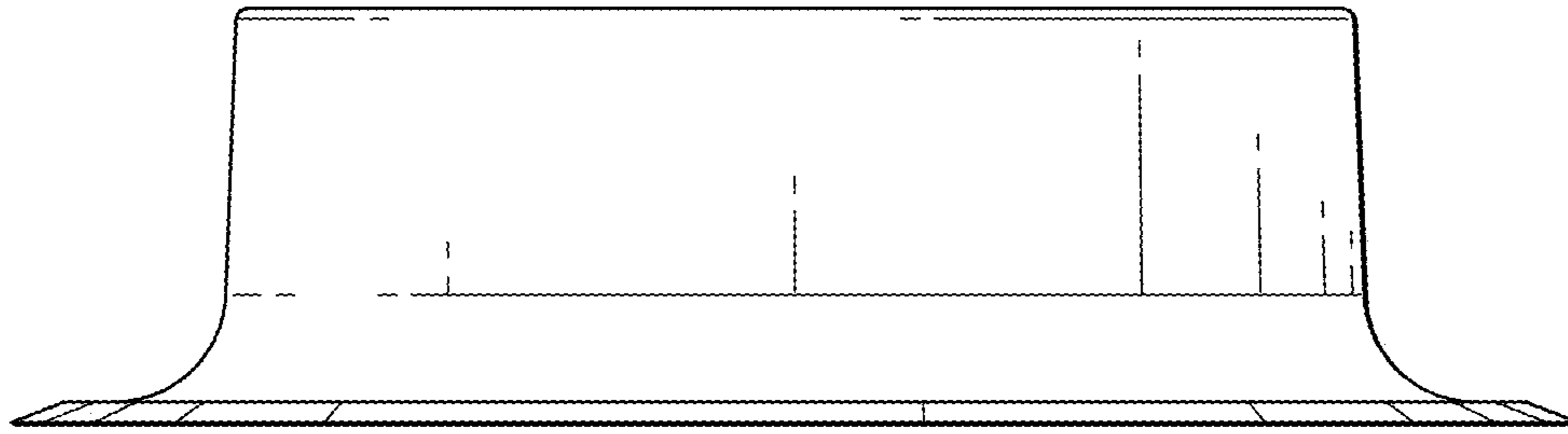


FIG. 3

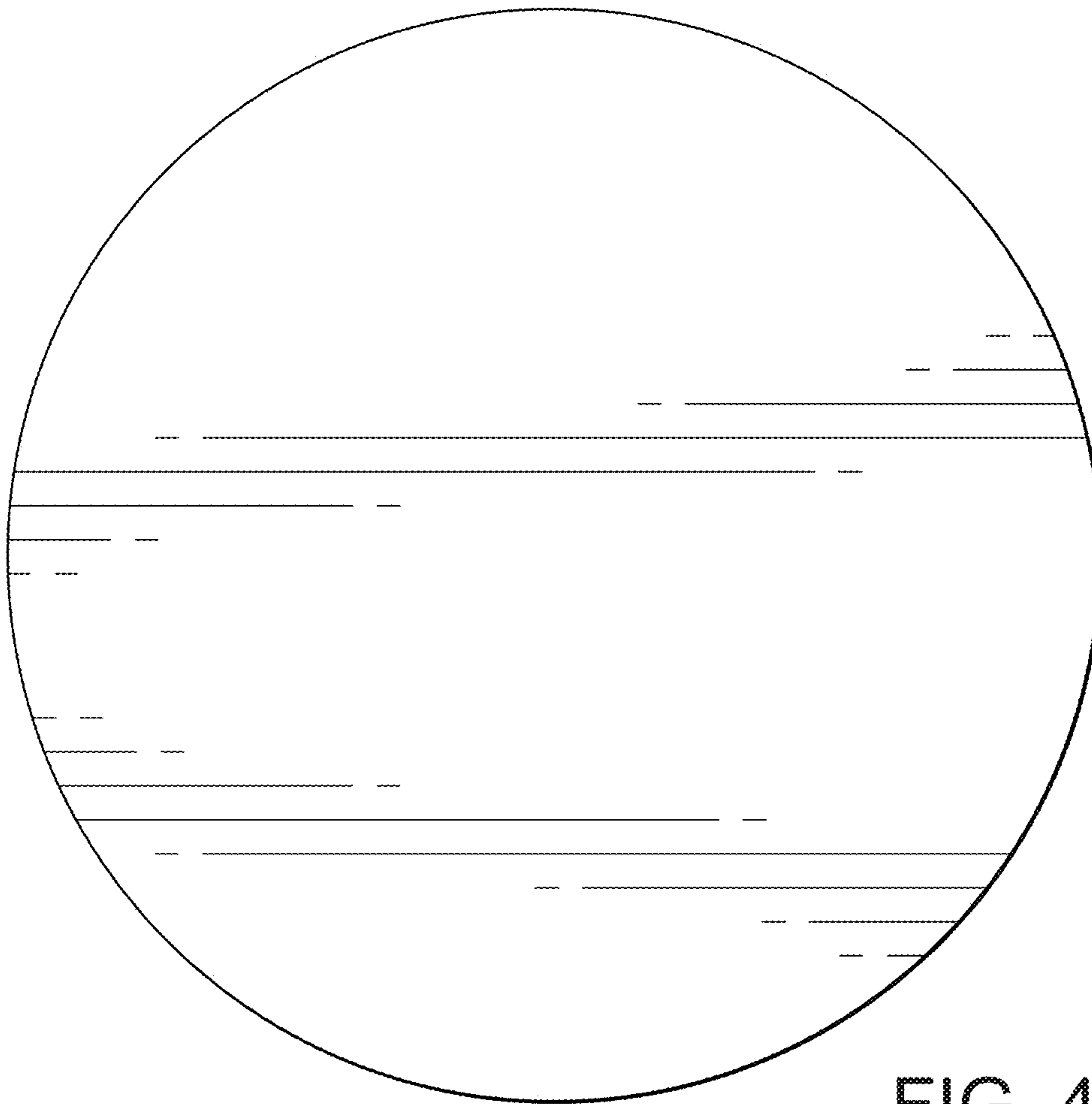


FIG. 4



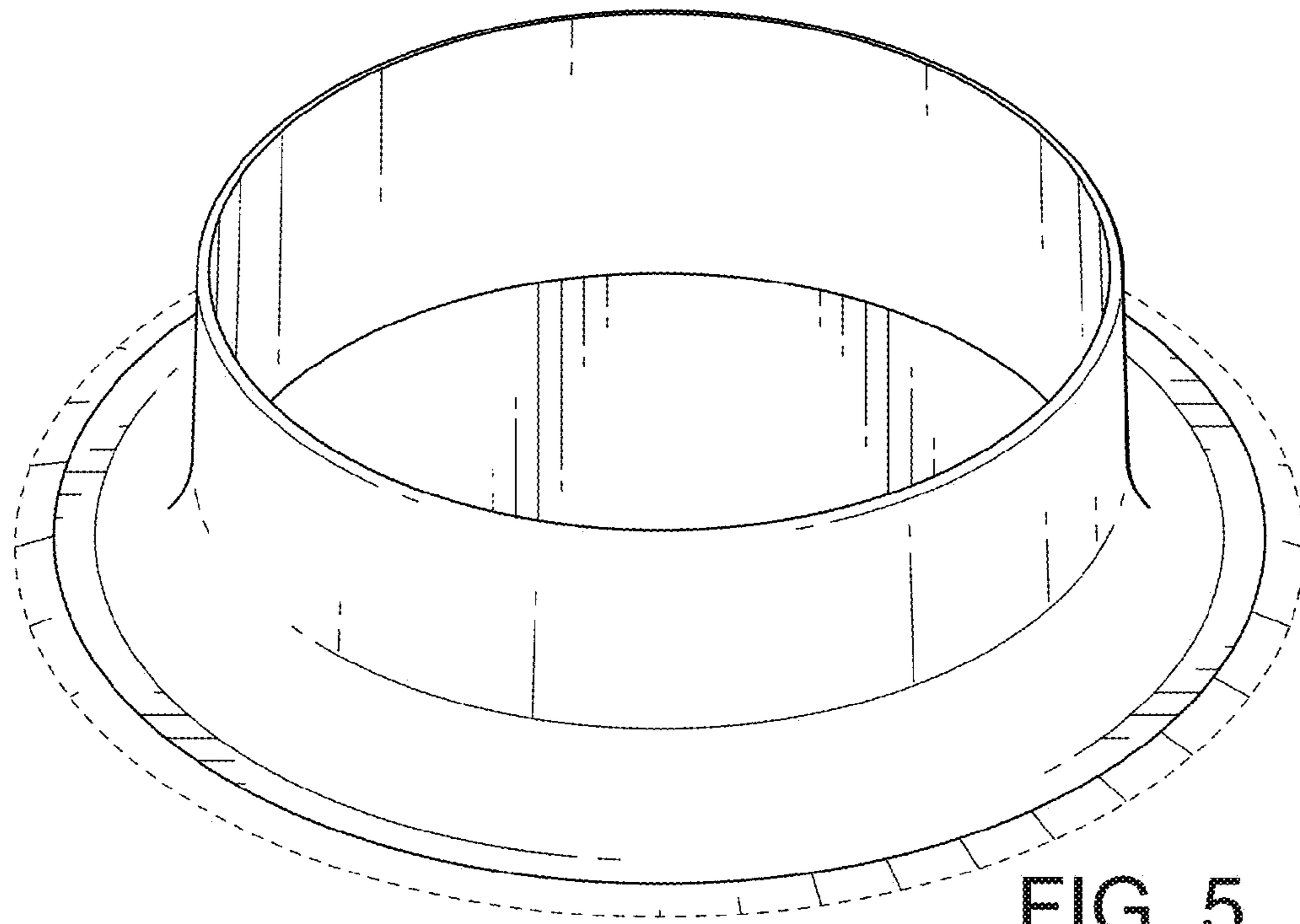


FIG. 5

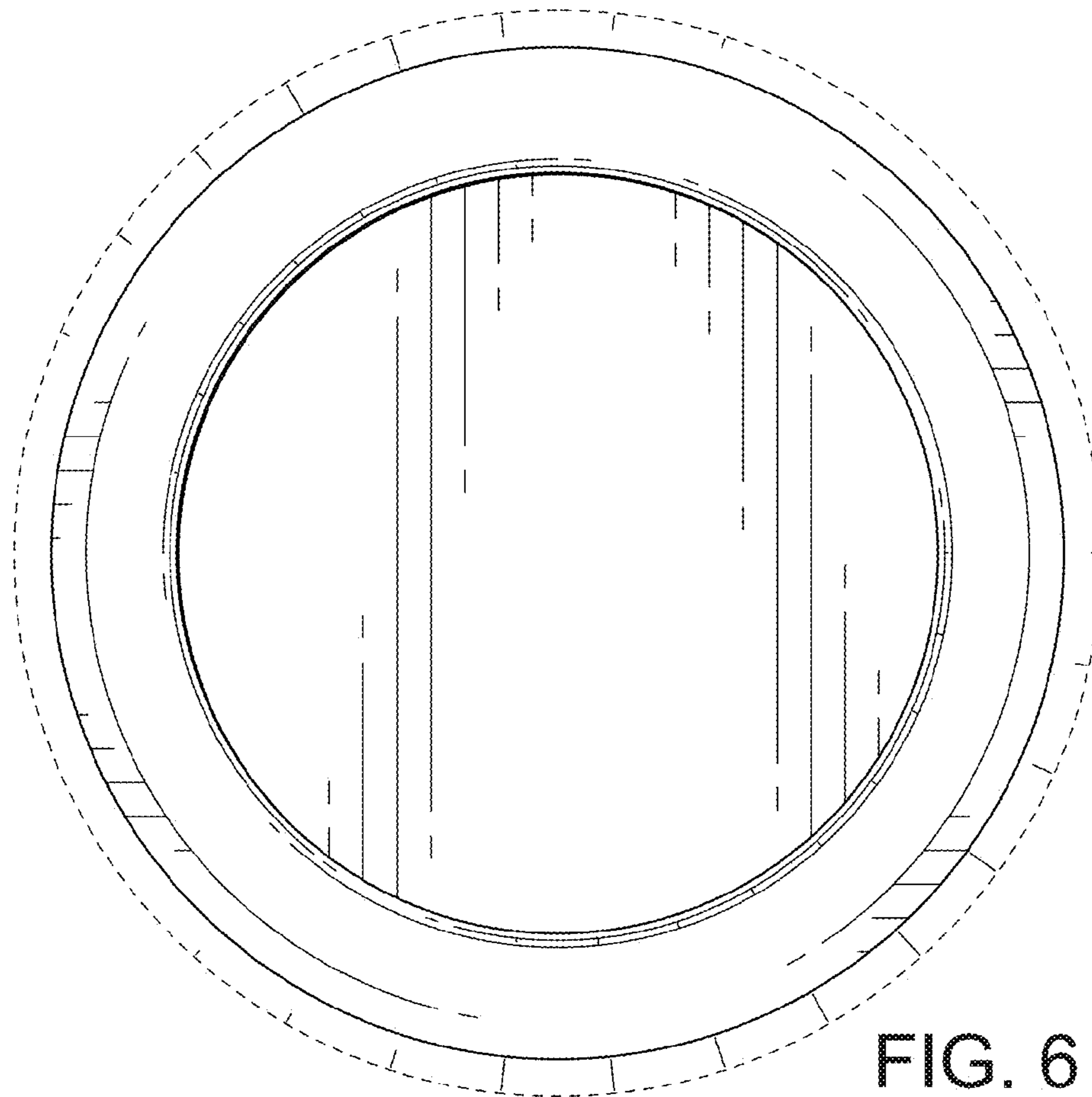


FIG. 6

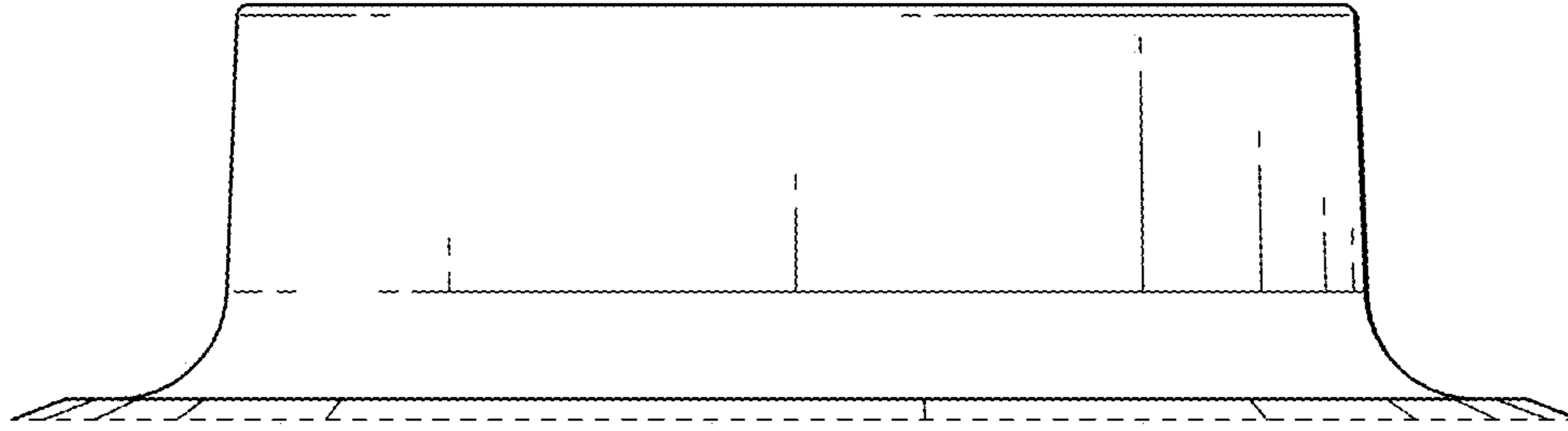


FIG. 7

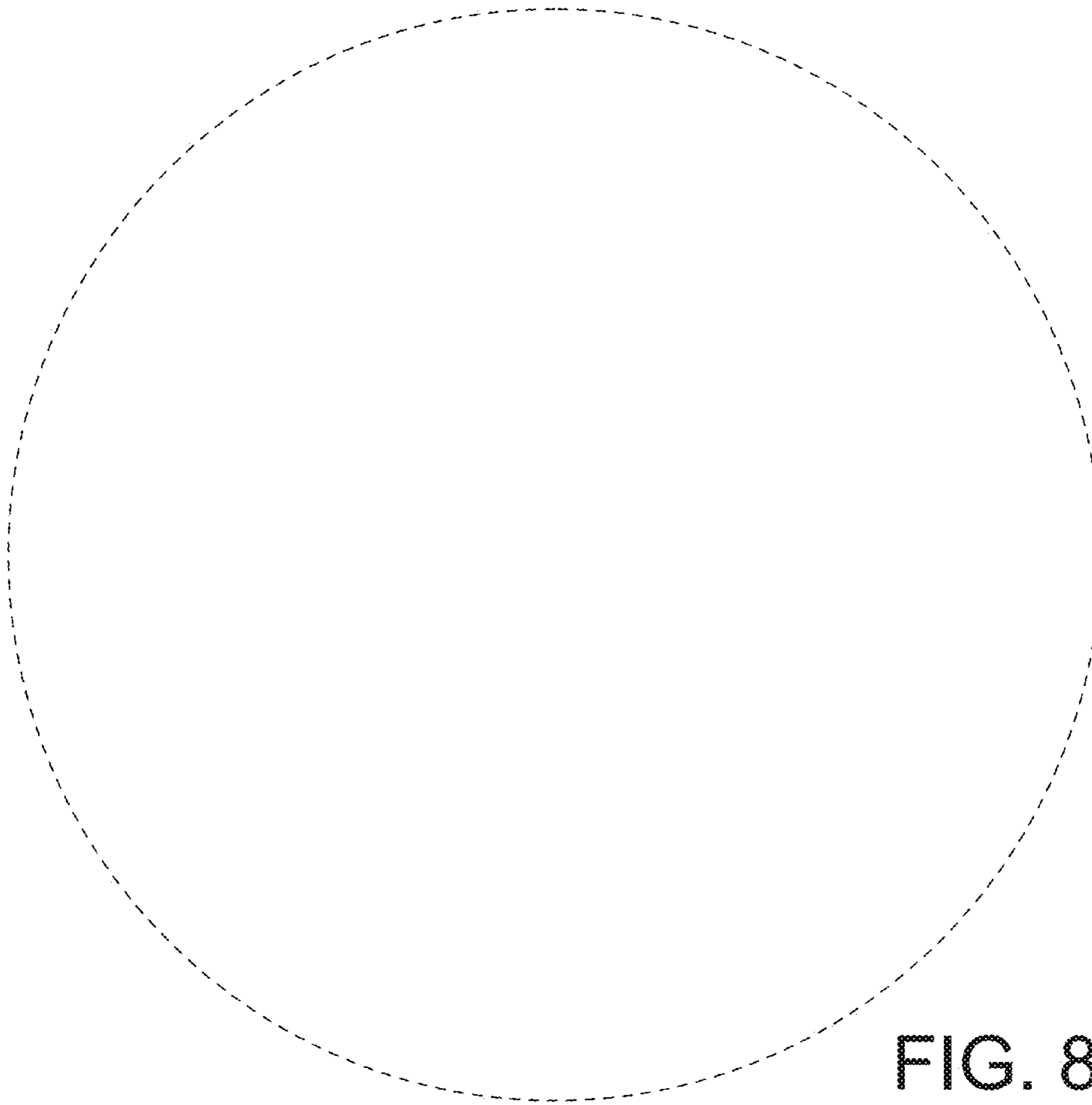


FIG. 8

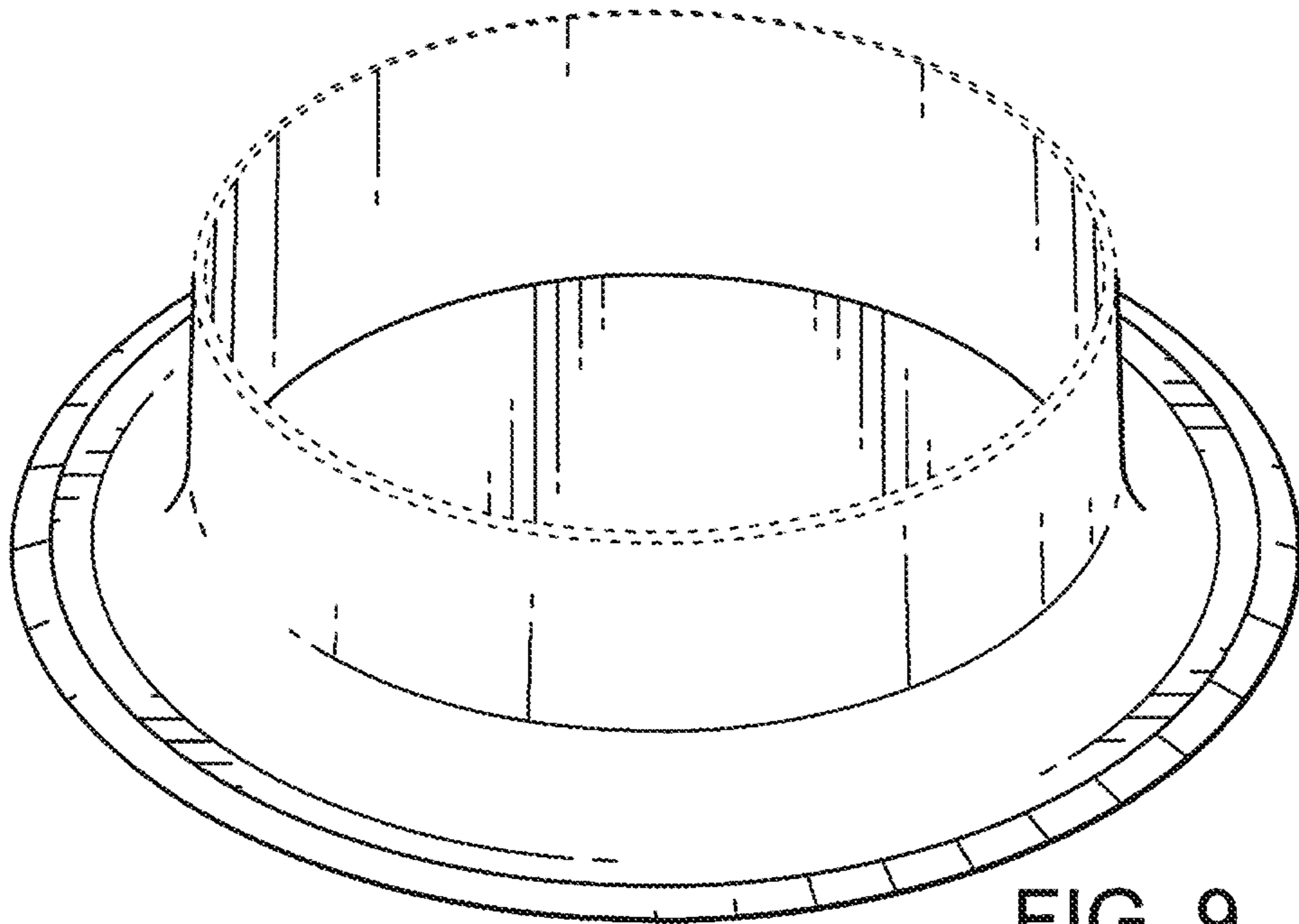


FIG. 9

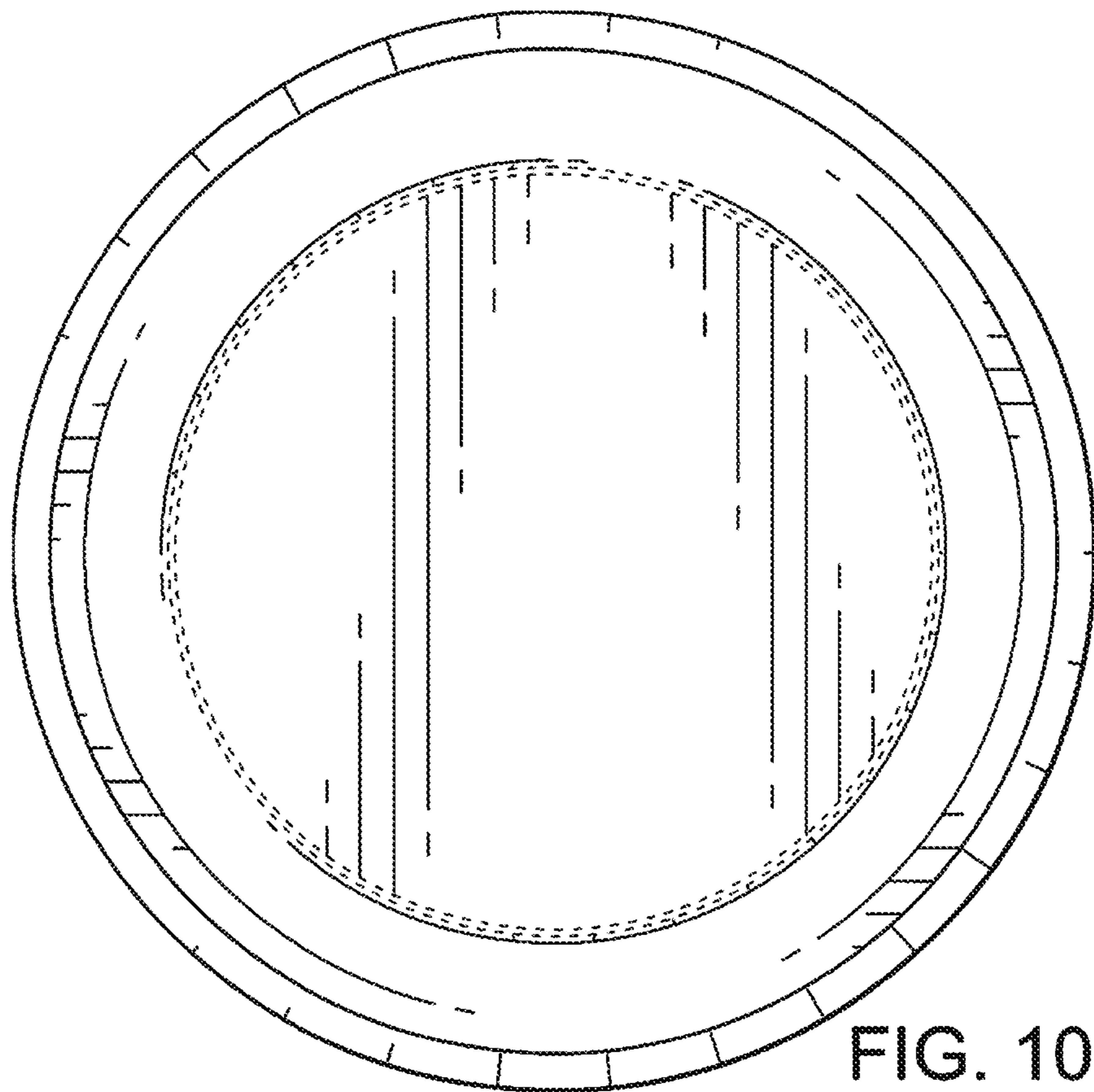


FIG. 10

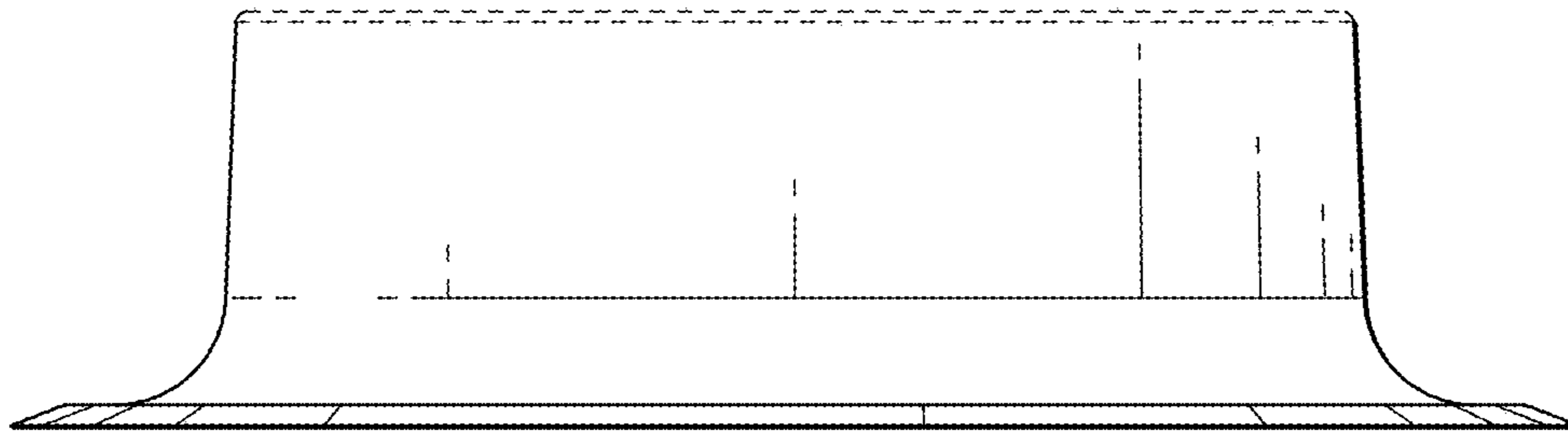


FIG. 11

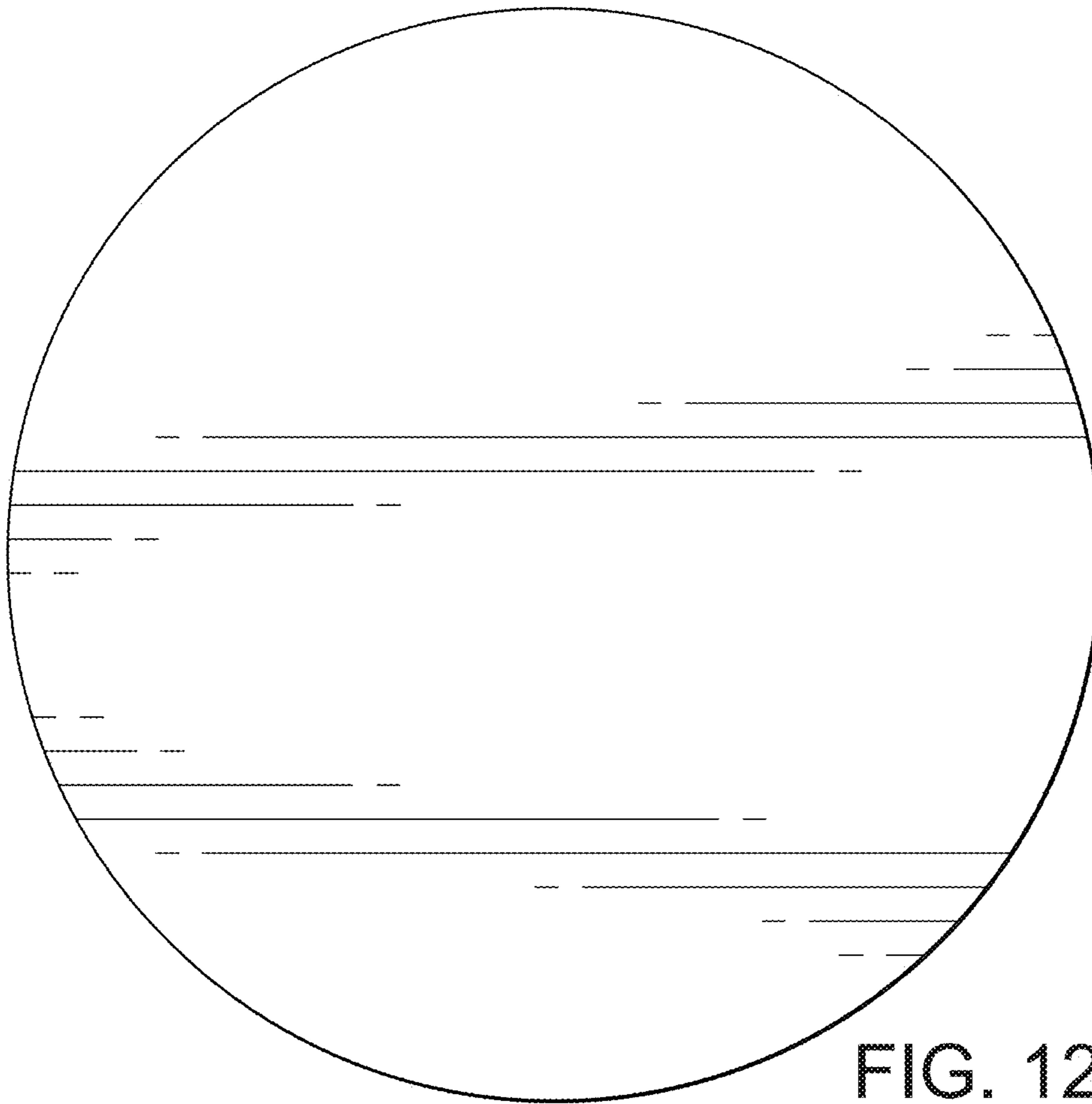


FIG. 12