



US00D917636S

(12) **United States Design Patent** (10) **Patent No.:** **US D917,636 S**
Weman (45) **Date of Patent:** **** Apr. 27, 2021**

(54) **TREADMILL**
(71) Applicant: **Mylna Sport AS**, Mjondalen (NO)
(72) Inventor: **Thomas Weman**, Vestfossen (NO)
(73) Assignee: **MYLNA SPORT AS**, Mjondalen (NO)
(**) Term: **15 Years**
(21) Appl. No.: **35/508,135**
(22) Filed: **Mar. 26, 2019**

D333,330 S * 2/1993 Clem D21/669
D342,107 S * 12/1993 Chang D21/669
D447,780 S * 9/2001 Arnold D21/669
D450,792 S * 11/2001 Kuo D21/669
D452,890 S * 1/2002 Kiiski D21/669
D458,654 S * 6/2002 Kiiski D21/669
D494,234 S * 8/2004 Sporie D21/669
D496,699 S * 9/2004 Dobson D21/669
D500,348 S * 12/2004 Parise D21/669
D690,782 S * 10/2013 Perkins D21/669
D704,778 S * 5/2014 Decommer D21/669
D831,131 S * 10/2018 Zha D21/669
D859,543 S * 9/2019 Lisi A63B 22/0023
D21/669

(Continued)

(80) **Hague Agreement Data**
Int. Filing Date: **Mar. 26, 2019**
Int. Reg. No.: **DM/204622**
Int. Reg. Date: **Mar. 26, 2019**
Int. Reg. Pub. Date: **Dec. 13, 2019**

OTHER PUBLICATIONS

@Abilica, Klaebo Collection, Abilica XC-Mill 2700, Dec. 16, 2019, on Instagram.com. Retrieved from the internet on Sep. 16, 2020. <URL: <https://www.instagram.com/p/B6lpj7cAV0H>> (Year: 2019).*

(Continued)

(30) **Foreign Application Priority Data**
Mar. 6, 2019 (EM) 006285110
(51) **LOC (13) Cl.** **21-02**
(52) **U.S. Cl.**
USPC **D21/669**
(58) **Field of Classification Search**
USPC D21/662, 668-671, 686-691
CPC A63B 22/02-0285
See application file for complete search history.

Primary Examiner — George D. Kirschbaum
Assistant Examiner — Joseph J. Kukella
(74) *Attorney, Agent, or Firm* — Birch, Stewart, Kolasch & Birch, LLP

(57) **CLAIM**

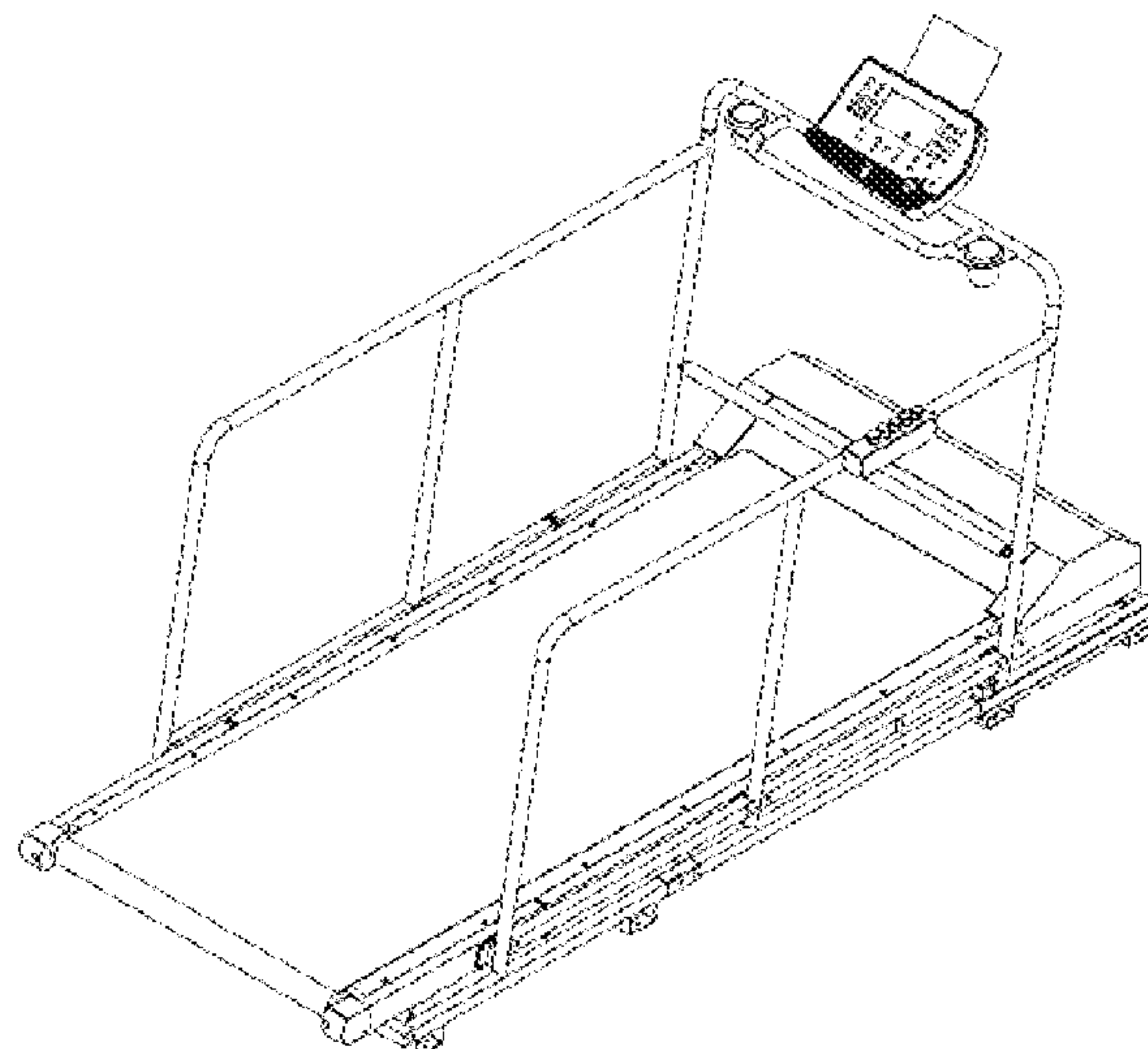
The ornamental design for a treadmill, as shown and described.

DESCRIPTION

(56) **References Cited**
U.S. PATENT DOCUMENTS
D283,239 S * 4/1986 Smith D21/669
D289,312 S * 4/1987 Trulaske D21/669
D289,668 S * 5/1987 Gremontprez D21/669
D303,414 S * 9/1989 Armstrong D21/669
D306,468 S * 3/1990 Watterson D21/669
D306,891 S * 3/1990 Watterson D21/669
5,007,630 A * 4/1991 Real A63B 22/0023
482/54
D321,734 S * 11/1991 Dunham D21/669

- 1. Treadmill
- 1.1 : Perspective
- 1.2 : Rear
- 1.3 : Right
- 1.4 : Left
- 1.5 : Top
- 1.6 : Front
- 1.7 : Bottom

1 Claim, 7 Drawing Sheets



(56)

References Cited

U.S. PATENT DOCUMENTS

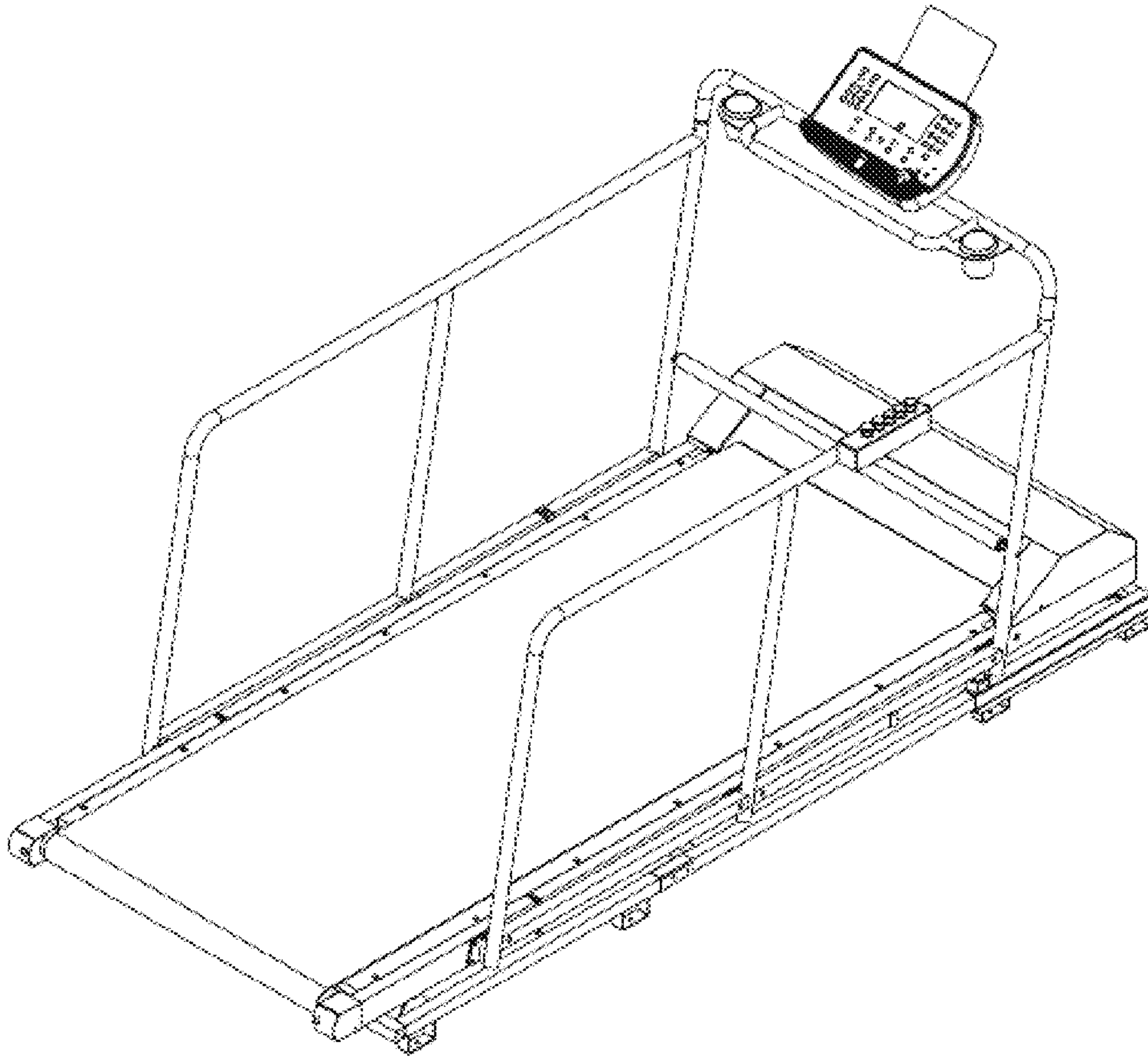
D888,845 S * 6/2020 Luo A63B 21/4035
D21/669
2018/0214736 A1* 8/2018 Ota A63B 21/4035

OTHER PUBLICATIONS

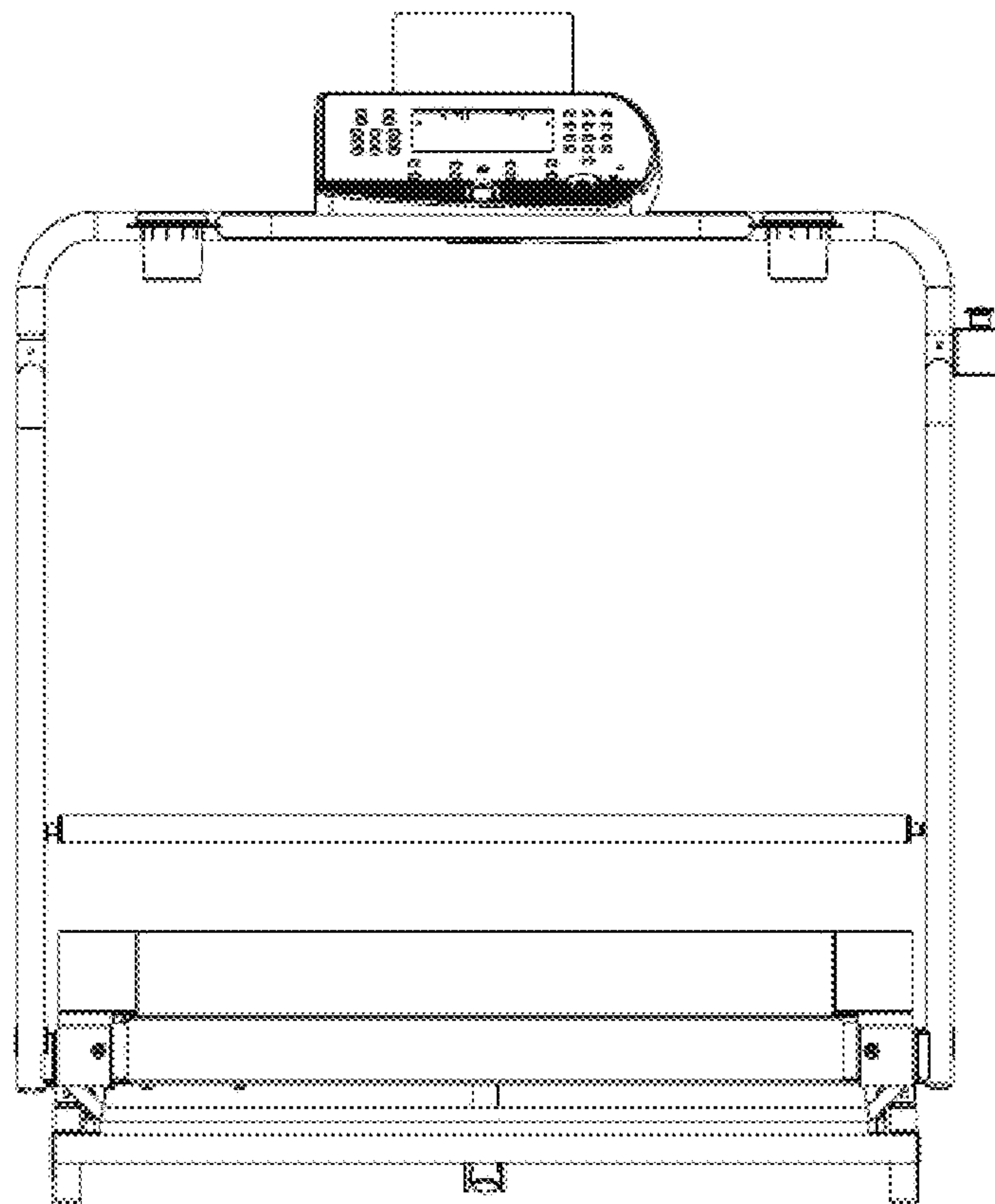
Johannes Hosflot Klaebo, My favorite room at home | Vlog 37, Sep. 17, 2018, YouTube.com. Retrieved from the internet on Sep. 16, 2020. <URL: <https://youtu.be/dZrbblpslac?t=603>> (Year: 2018).*

* cited by examiner

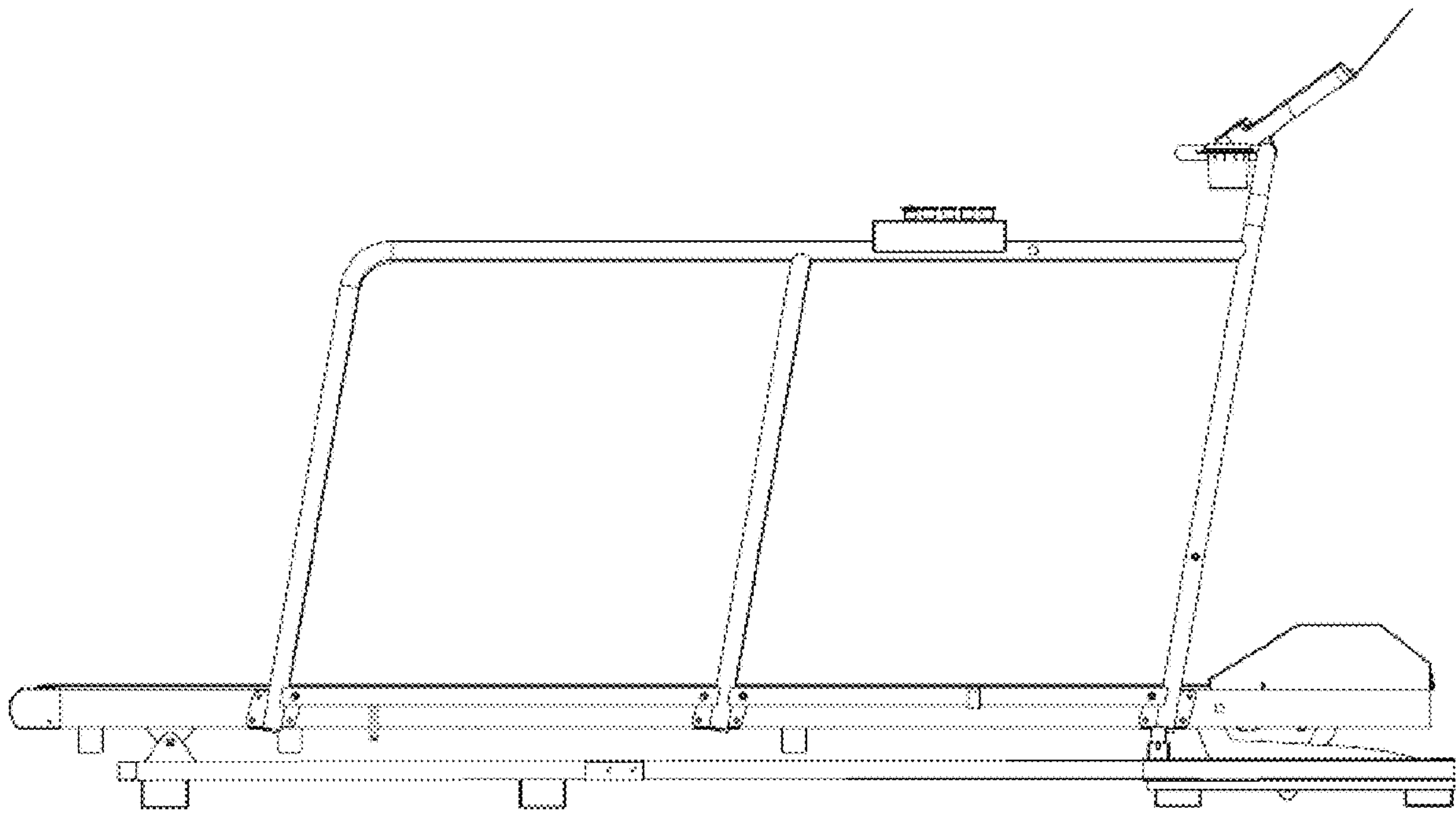
1.1



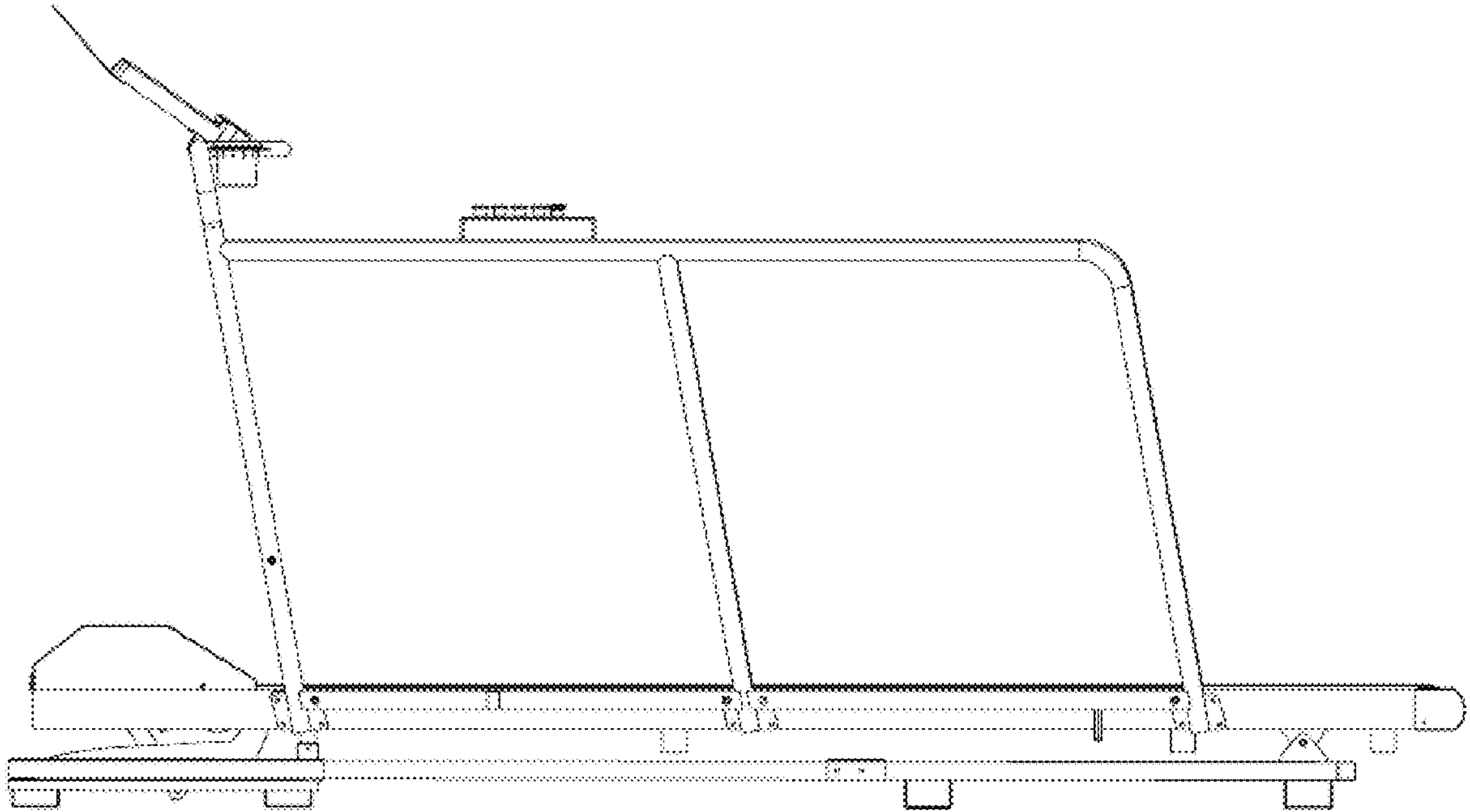
1.2



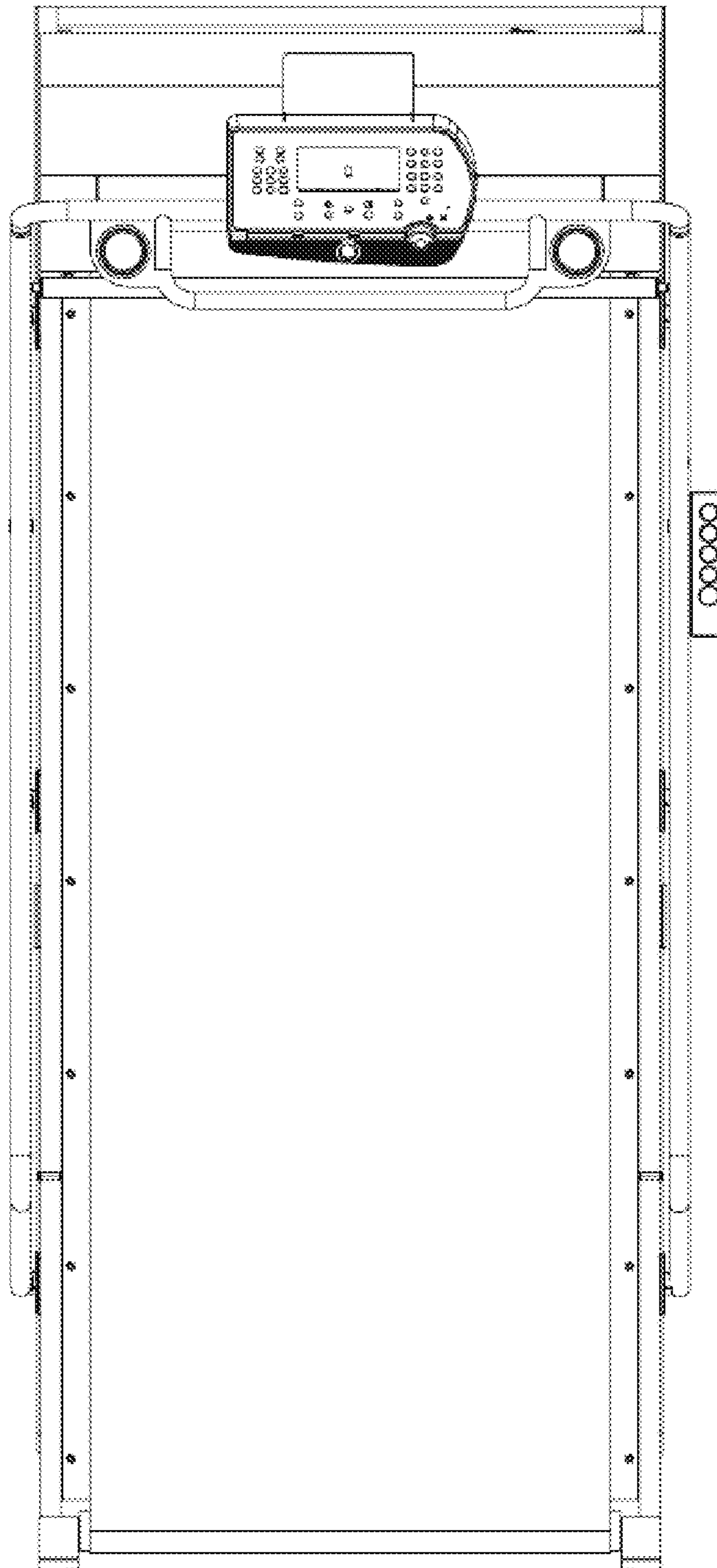
1.3



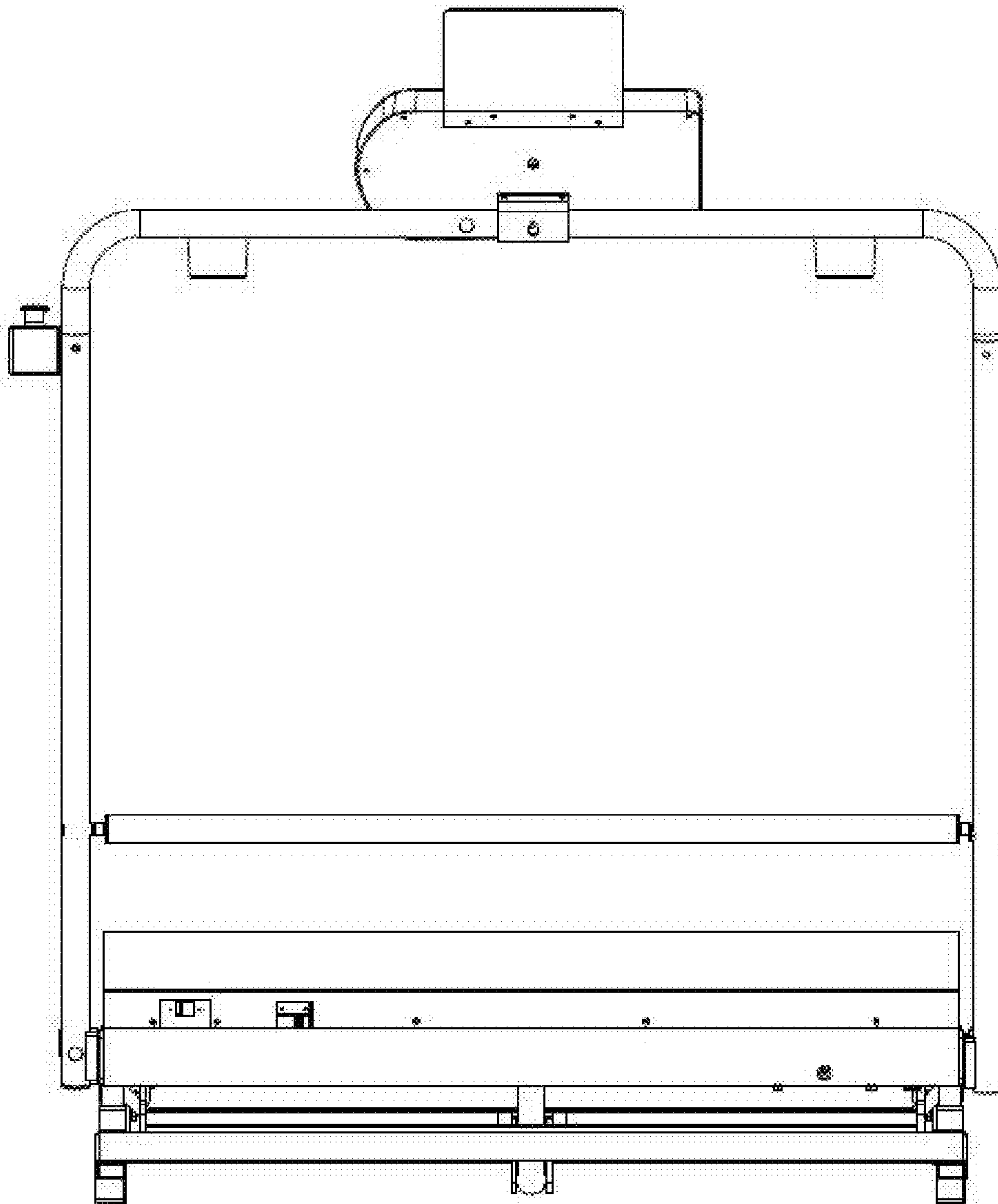
1.4



1.5



1.6



1.7

