



US00D917635S

(12) **United States Design Patent** (10) **Patent No.:** **US D917,635 S**
Li (45) **Date of Patent:** **** Apr. 27, 2021**

- (54) **TOY ROBOT**
- (71) Applicant: **Shantou Weilifang Infants and Children Products Co., Ltd., Shantou (CN)**
- (72) Inventor: **Jie Li, Shantou (CN)**
- (73) Assignee: **Shantou Weilifang Infants and Children Products Co., Ltd., Shantou (CN)**
- (**) Term: **15 Years**
- (21) Appl. No.: **29/714,835**
- (22) Filed: **Nov. 26, 2019**
- (51) **LOC (13) Cl.** **21-01**
- (52) **U.S. Cl.**
USPC **D21/621**
- (58) **Field of Classification Search**
USPC D21/578, 579, 621, 622, 658, 659, 661
CPC A63H 3/00; A63H 3/001; A63H 3/003
See application file for complete search history.

- D738,966 S * 9/2015 Chen D21/621
- D831,130 S * 10/2018 Davis D21/621
- D842,396 S * 3/2019 Vezina D21/621
- D845,403 S * 4/2019 Davies D21/621
- D857,124 S * 8/2019 Davies D21/621
- D864,314 S * 10/2019 Kim D21/621
- D873,929 S * 1/2020 Hazzard D21/621
- D879,213 S * 3/2020 Hazzard D21/621
- D887,501 S * 6/2020 Zhan D21/621

* cited by examiner

Primary Examiner — Zenia I Bennett

(74) *Attorney, Agent, or Firm* — Muncy, Geissler, Olds & Lowe, P.C.

(57) **CLAIM**

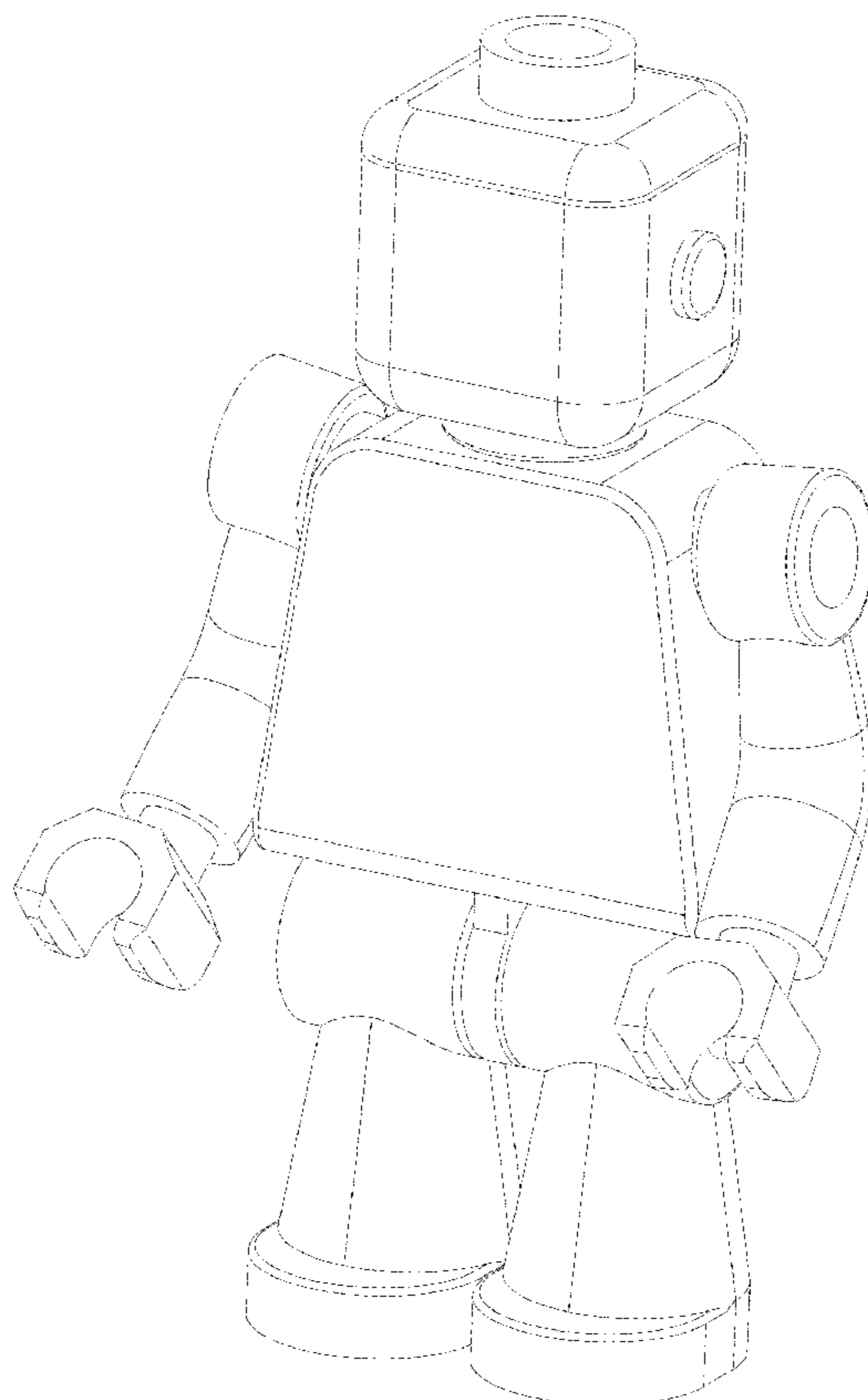
The ornamental design for a toy robot, as shown and described.

DESCRIPTION

FIG. 1 is a front elevational view of a toy robot showing my new design;
 FIG. 2 is a rear elevational view thereof;
 FIG. 3 is a left side view thereof;
 FIG. 4 is a right side view thereof;
 FIG. 5 is a top plan view thereof;
 FIG. 6 is a bottom plan view thereof; and,
 FIG. 7 is a perspective view thereof.
 The broken lines in the drawing depict portions of the toy robot that form no part of the claimed design.

1 Claim, 7 Drawing Sheets

- (56) **References Cited**
U.S. PATENT DOCUMENTS
- D253,711 S * 12/1979 Christiansen D21/621
- D352,078 S * 11/1994 Bertrand D21/621
- D680,598 S * 4/2013 Geller D21/621
- D689,567 S * 9/2013 Pilgaard D21/621



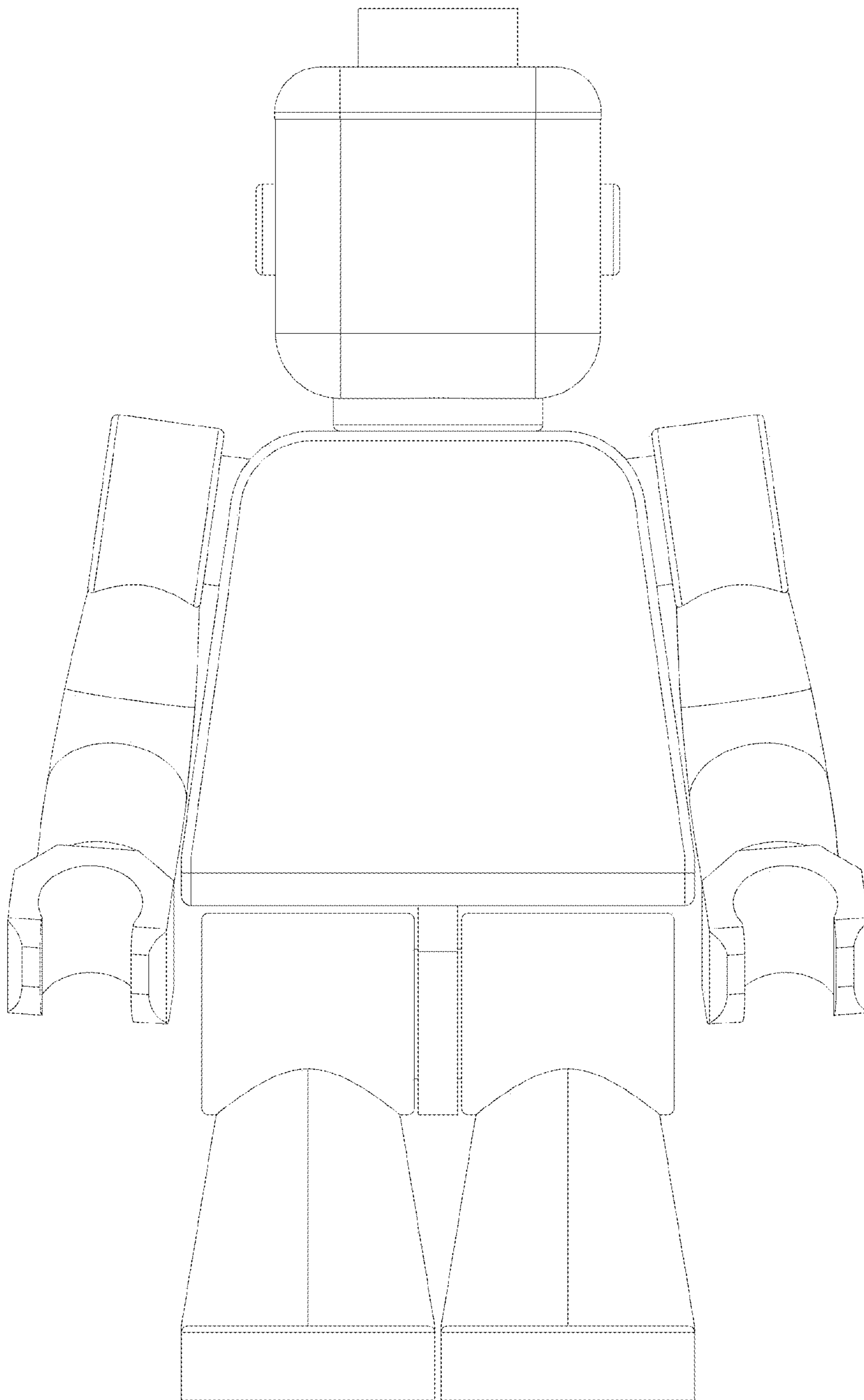


FIG. 1

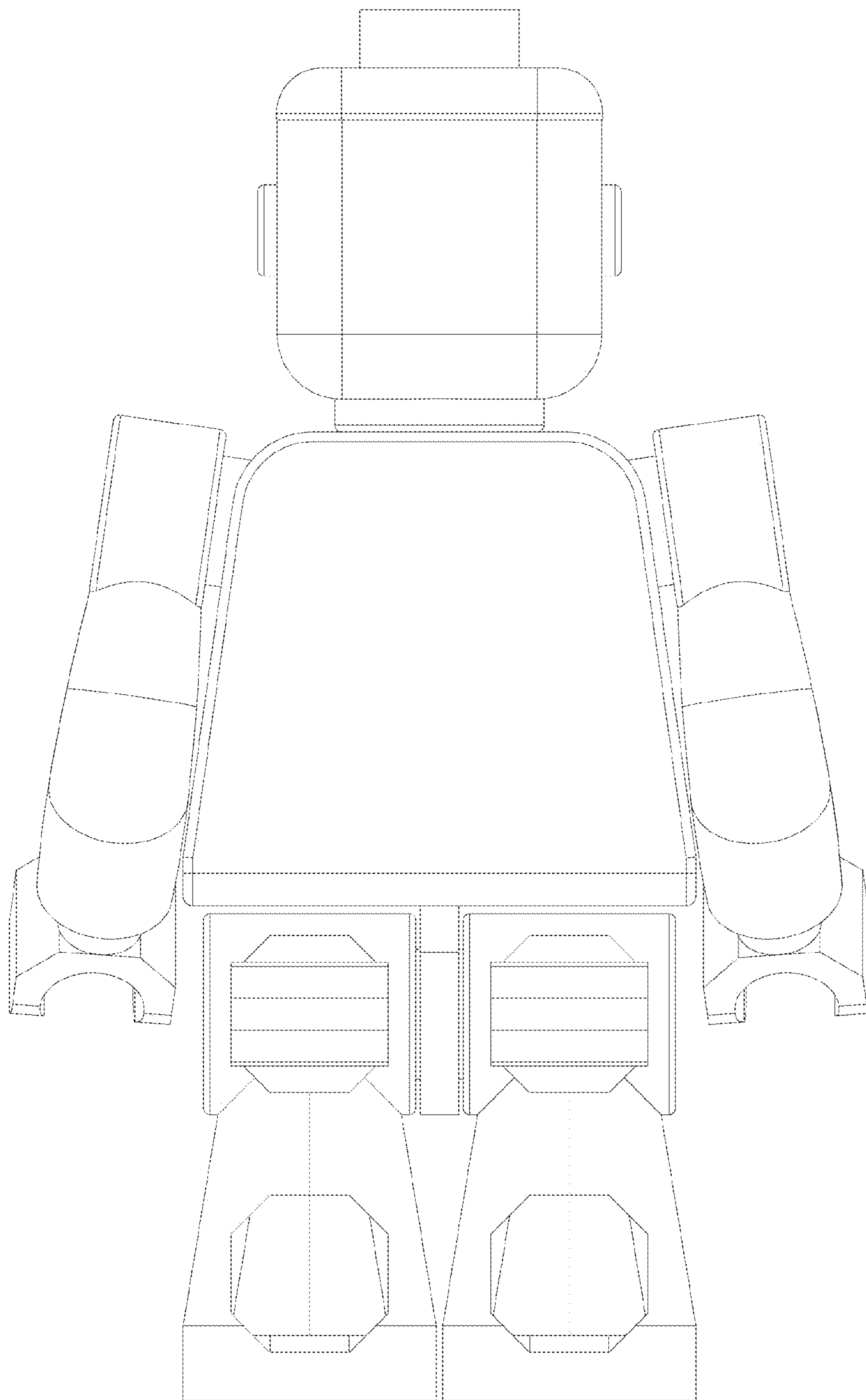


FIG. 2

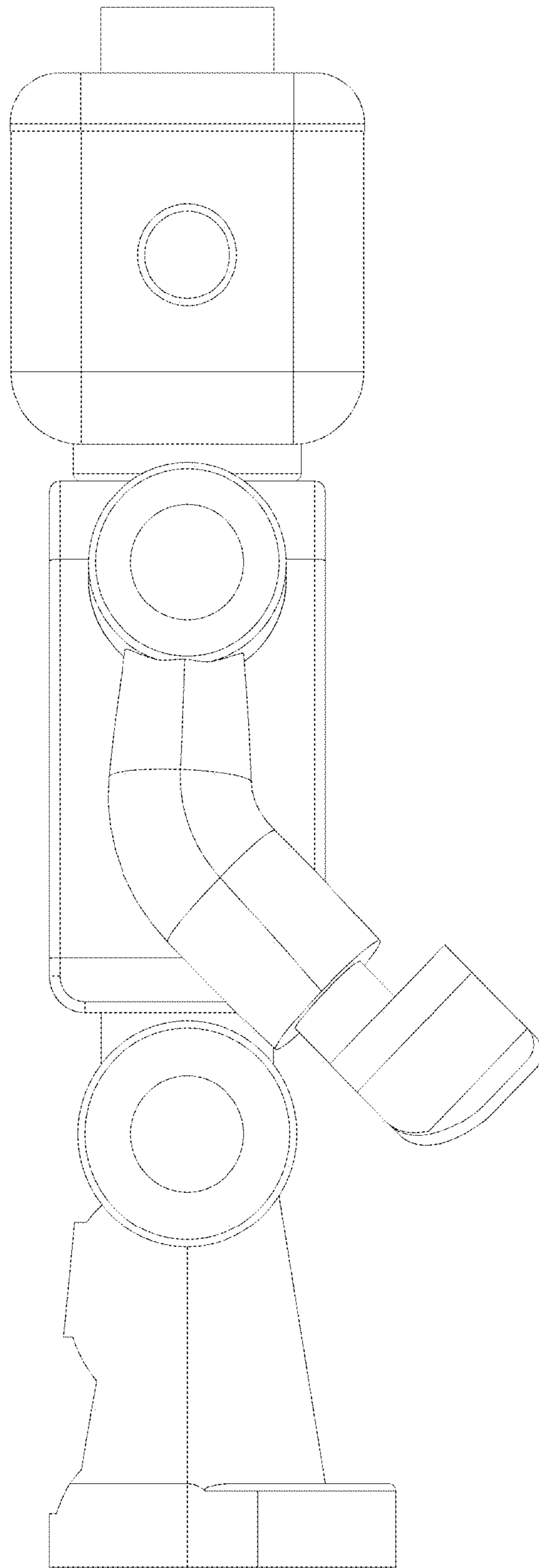


FIG. 3

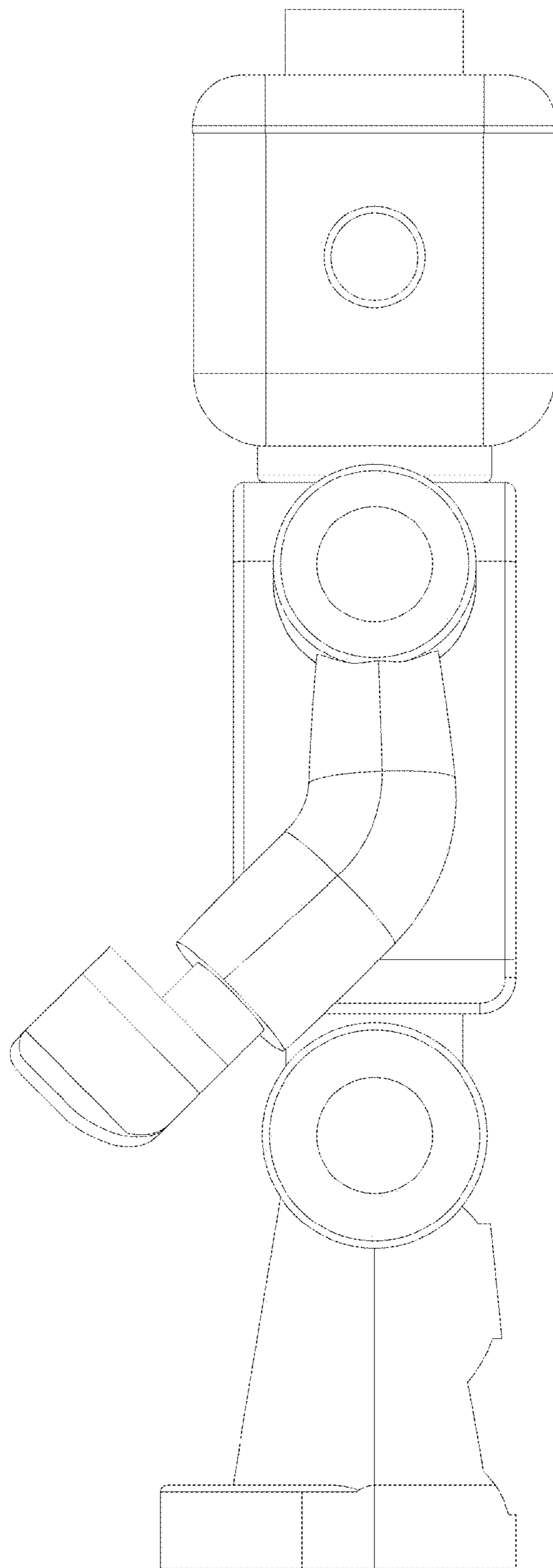


FIG. 4

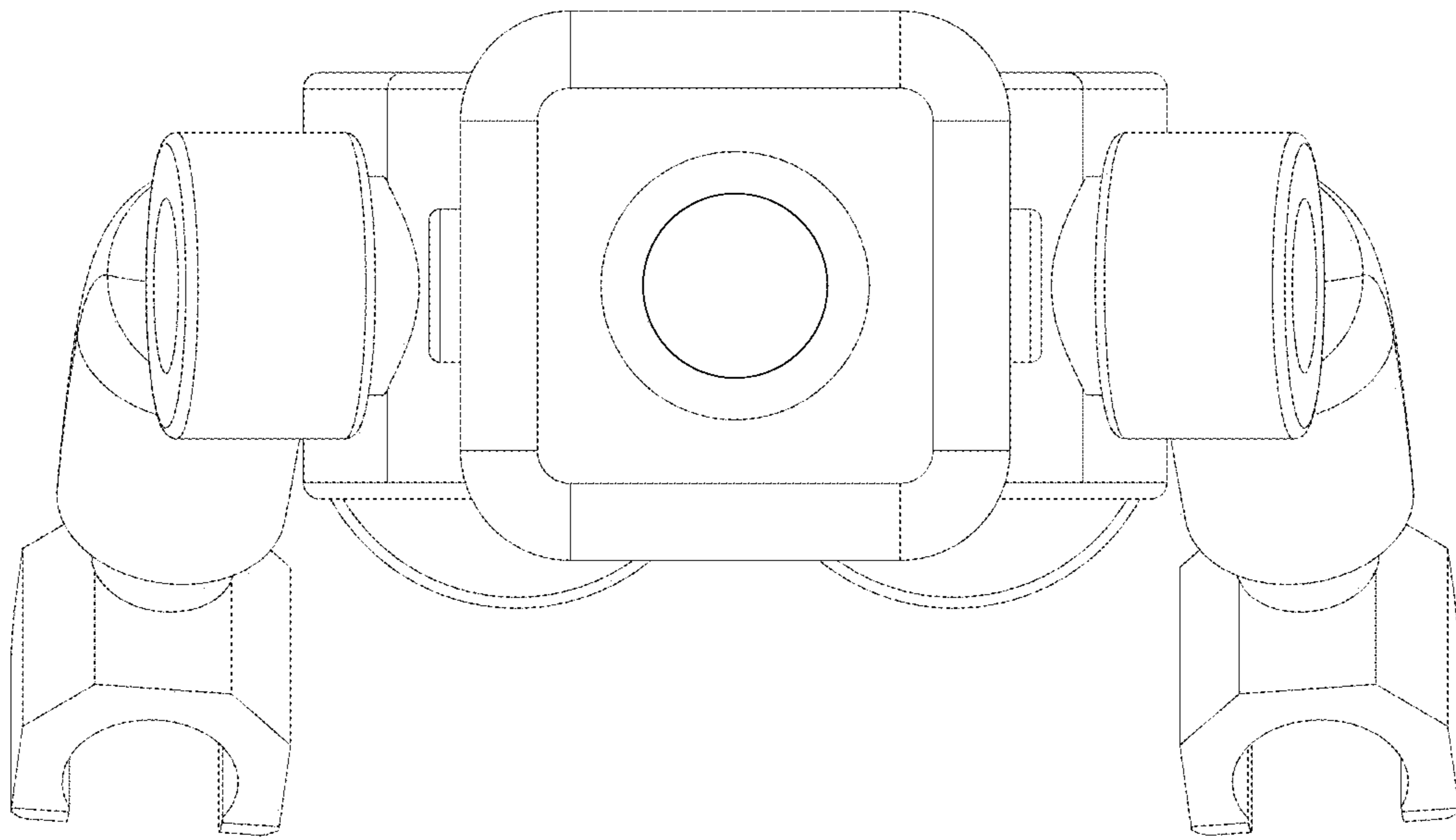


FIG. 5

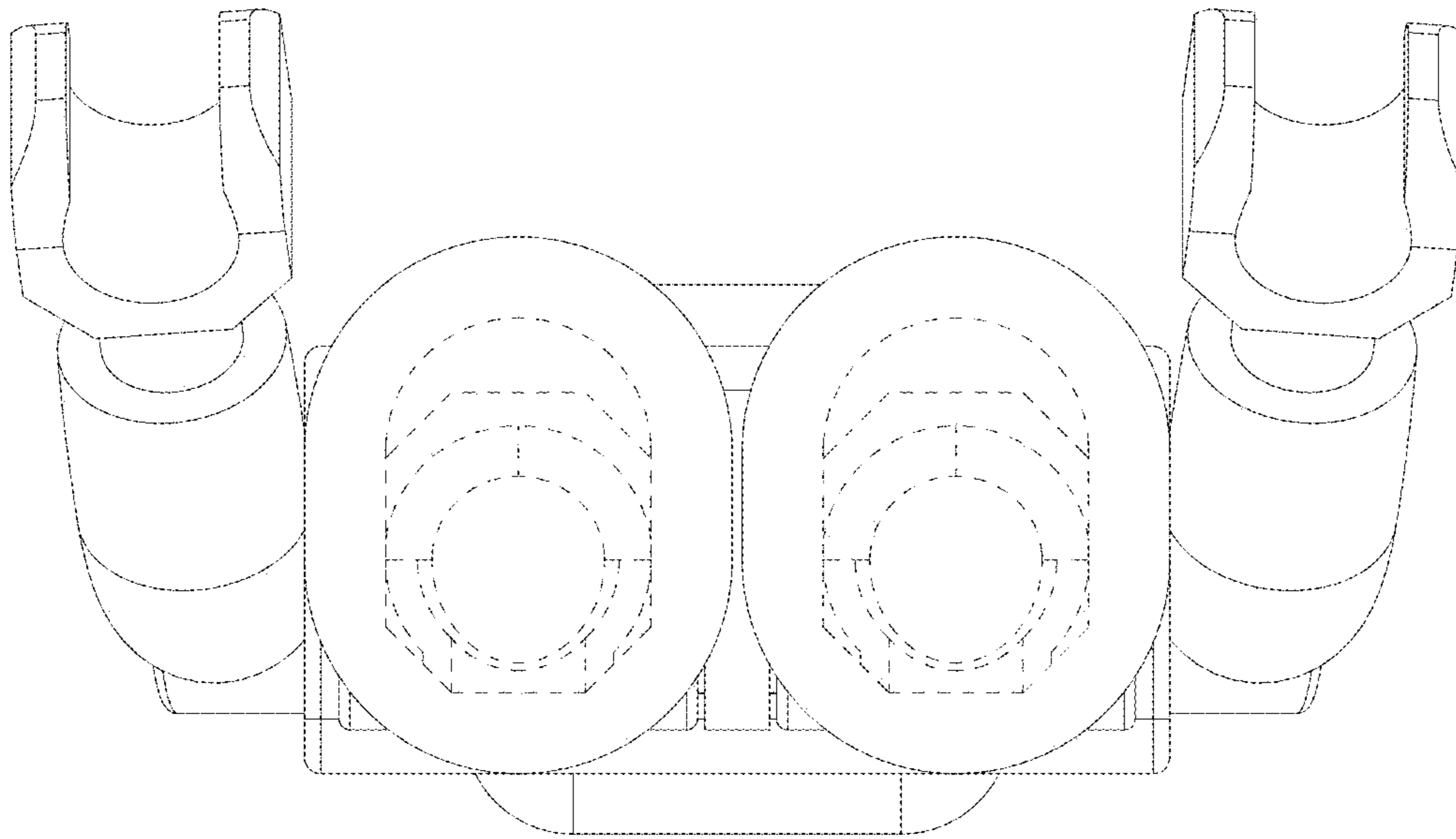


FIG. 6

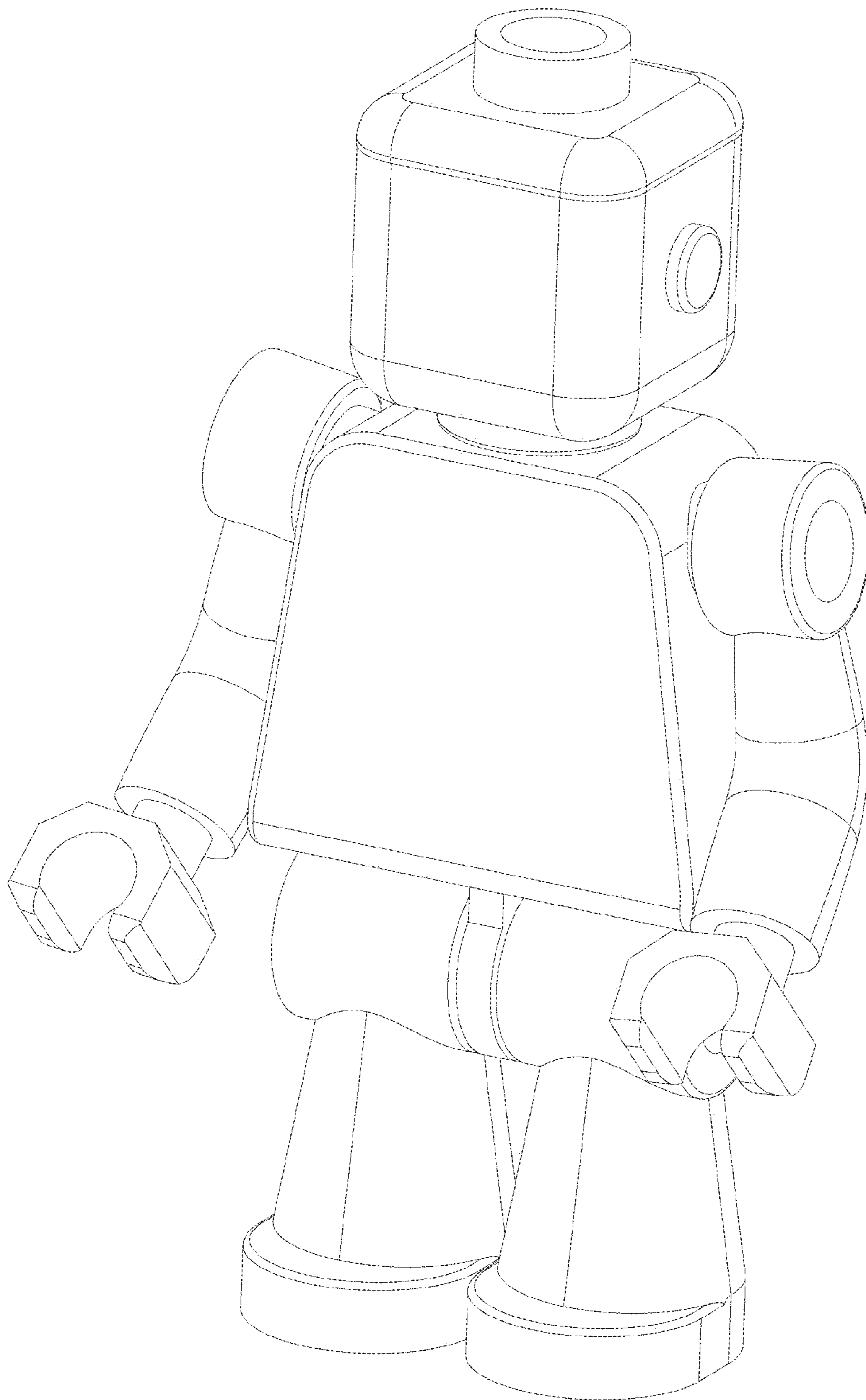


FIG. 7