



US00D917632S

(12) **United States Design Patent**
Fantino et al.

(10) **Patent No.:** **US D917,632 S**

(45) **Date of Patent:** **** Apr. 27, 2021**

(54) **TOY**
(71) Applicant: **CICABOOM S.r.L.**, Genoa (IT)

D680,177 S * 4/2013 Wong D21/578
D721,771 S * 1/2015 Nakano D21/578
D764,605 S * 8/2016 Ueda D21/578

(72) Inventors: **Fulvio Fantino**, Genoa (IT); **Elisabetta Insile**, Genoa (IT)

* cited by examiner

(73) Assignee: **CICABOOM S.R.L.**, Genoa (IT)

Primary Examiner — Zenia I Bennett

(**) Term: **15 Years**

(74) *Attorney, Agent, or Firm* — Mark Malek; Widerman Malek, PL

(21) Appl. No.: **29/715,554**

(57) **CLAIM**

(22) Filed: **Dec. 3, 2019**

The ornamental design for a toy, as shown and described.

(30) **Foreign Application Priority Data**

Jun. 6, 2019 (CN) 201930293140.6

(51) **LOC (13) Cl.** **21-01**

(52) **U.S. Cl.**
USPC **D21/578**

(58) **Field of Classification Search**
USPC D21/578–586; D19/59; D15/199
CPC . B25J 9/00; B25J 9/0003; B25J 9/0006; B25J
13/00; B25J 5/00; B25J 5/007
See application file for complete search history.

DESCRIPTION

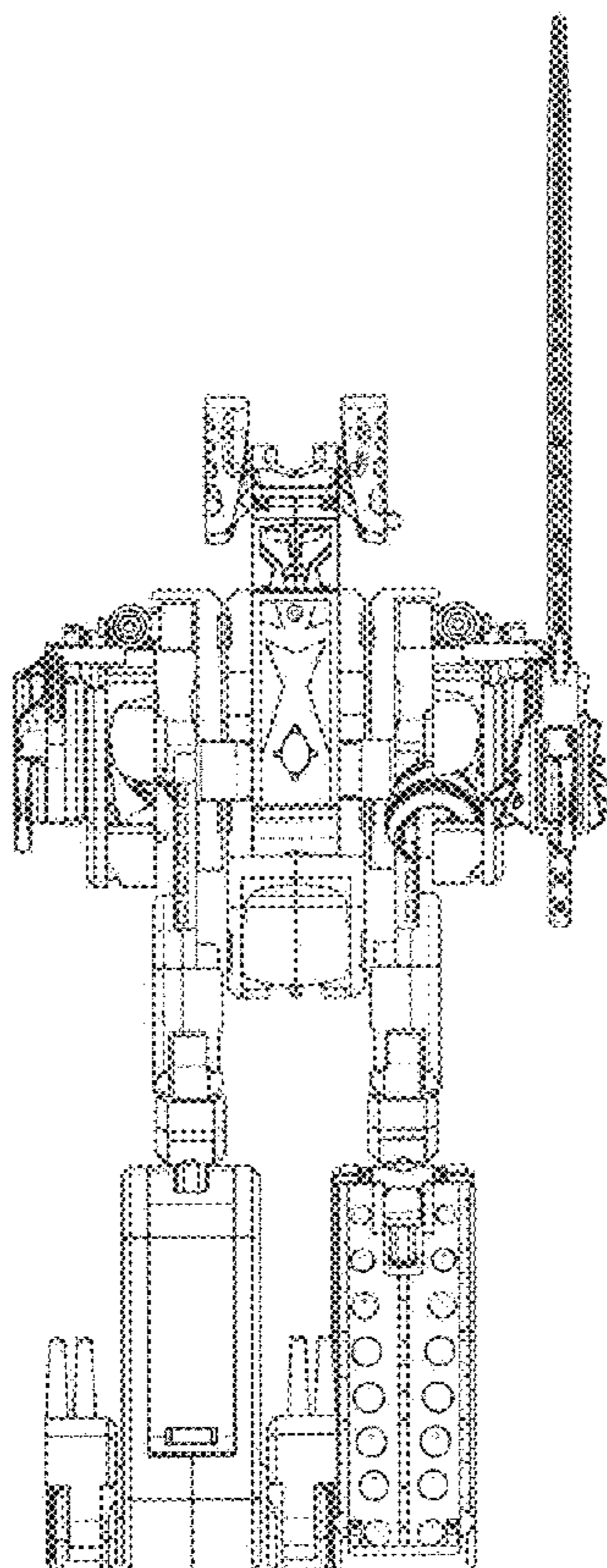
FIG. 1 is a front perspective view of a toy according to the present invention.
FIG. 2 is a front elevation view of the toy illustrated in FIG. 1.
FIG. 3 is a rear elevation view of the toy illustrated in FIG. 1.
FIG. 4 is a side elevation view of the toy illustrated in FIG. 1.
FIG. 5 is another side elevation view of the toy illustrated in FIG. 1.
FIG. 6 is a top plan view of the toy illustrated in FIG. 1; and, FIG. 7 is a bottom plan view of the toy illustrated in FIG. 1.

(56) **References Cited**

U.S. PATENT DOCUMENTS

D645,523 S * 9/2011 Wong D21/578
D647,147 S * 10/2011 Wong D21/578

1 Claim, 7 Drawing Sheets



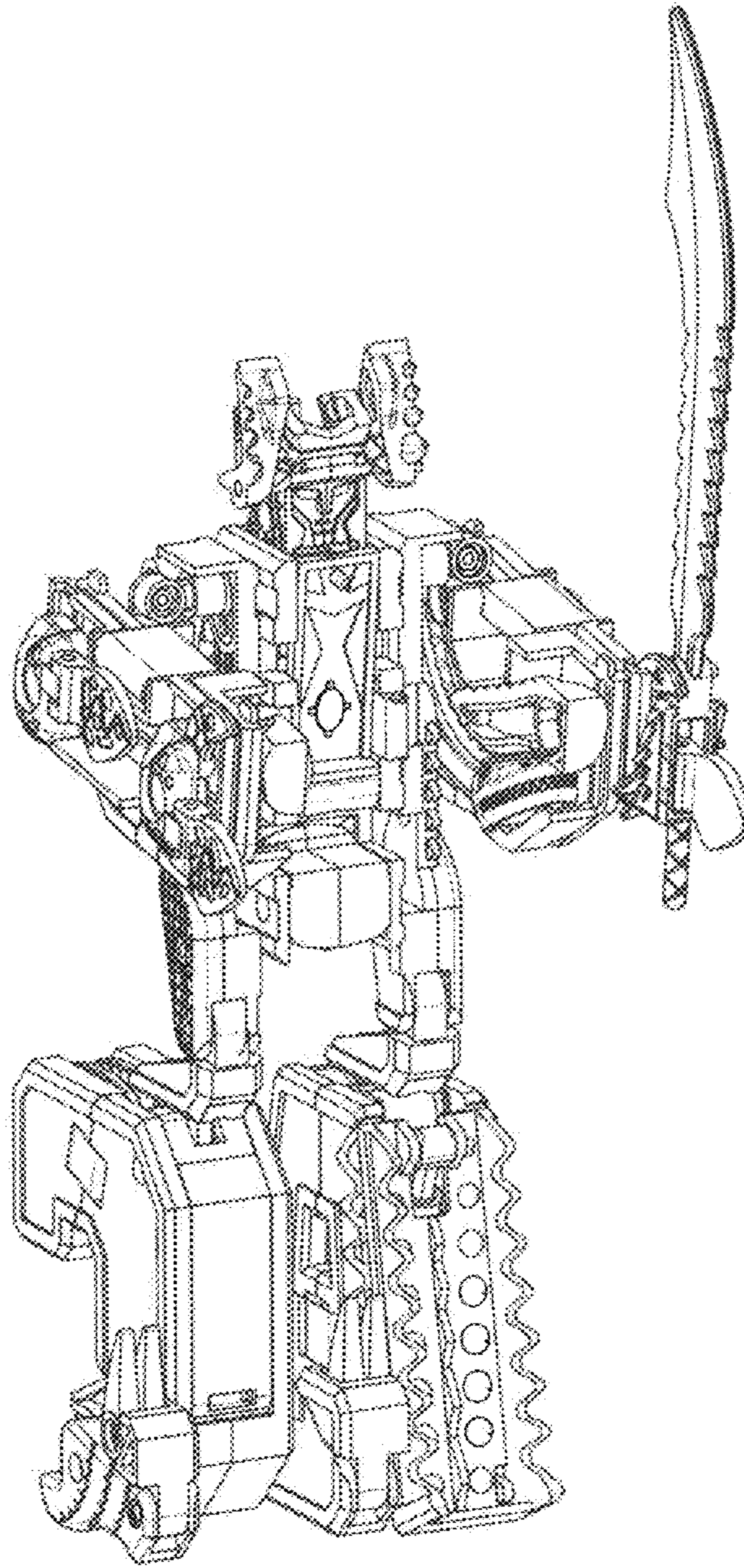


FIG. 1

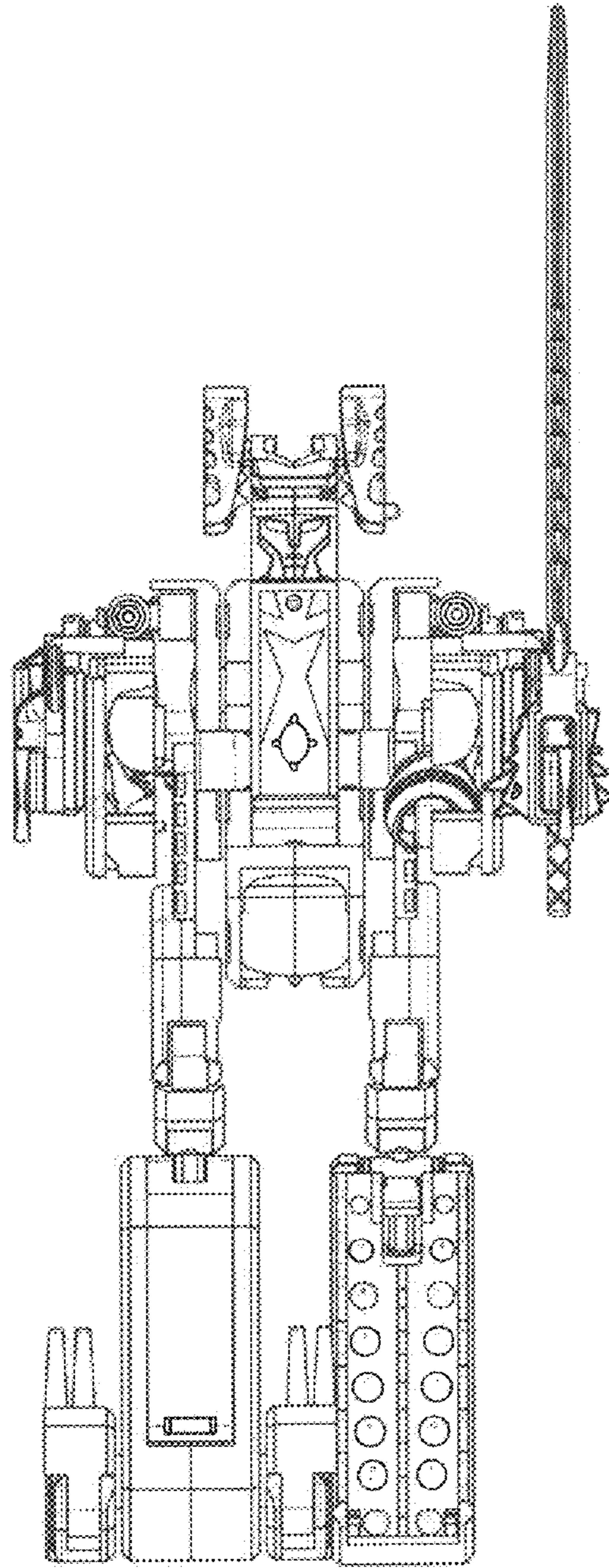


FIG. 2

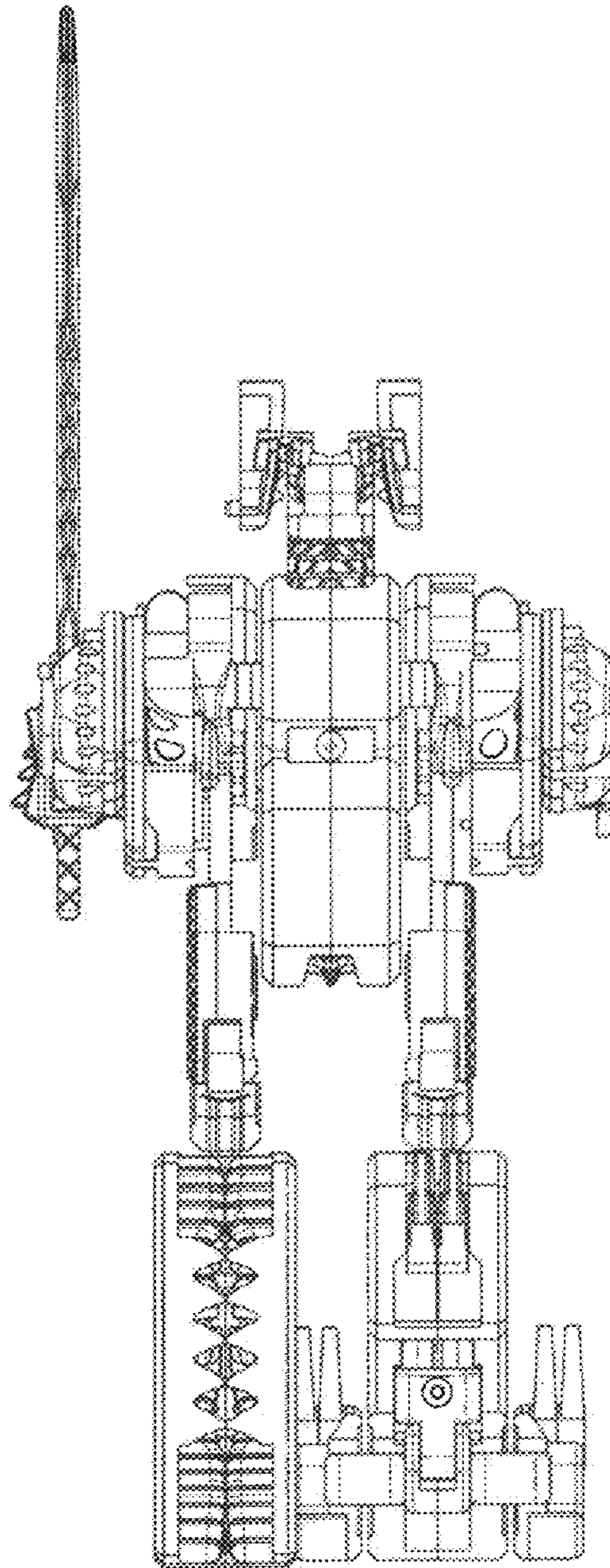


FIG. 3

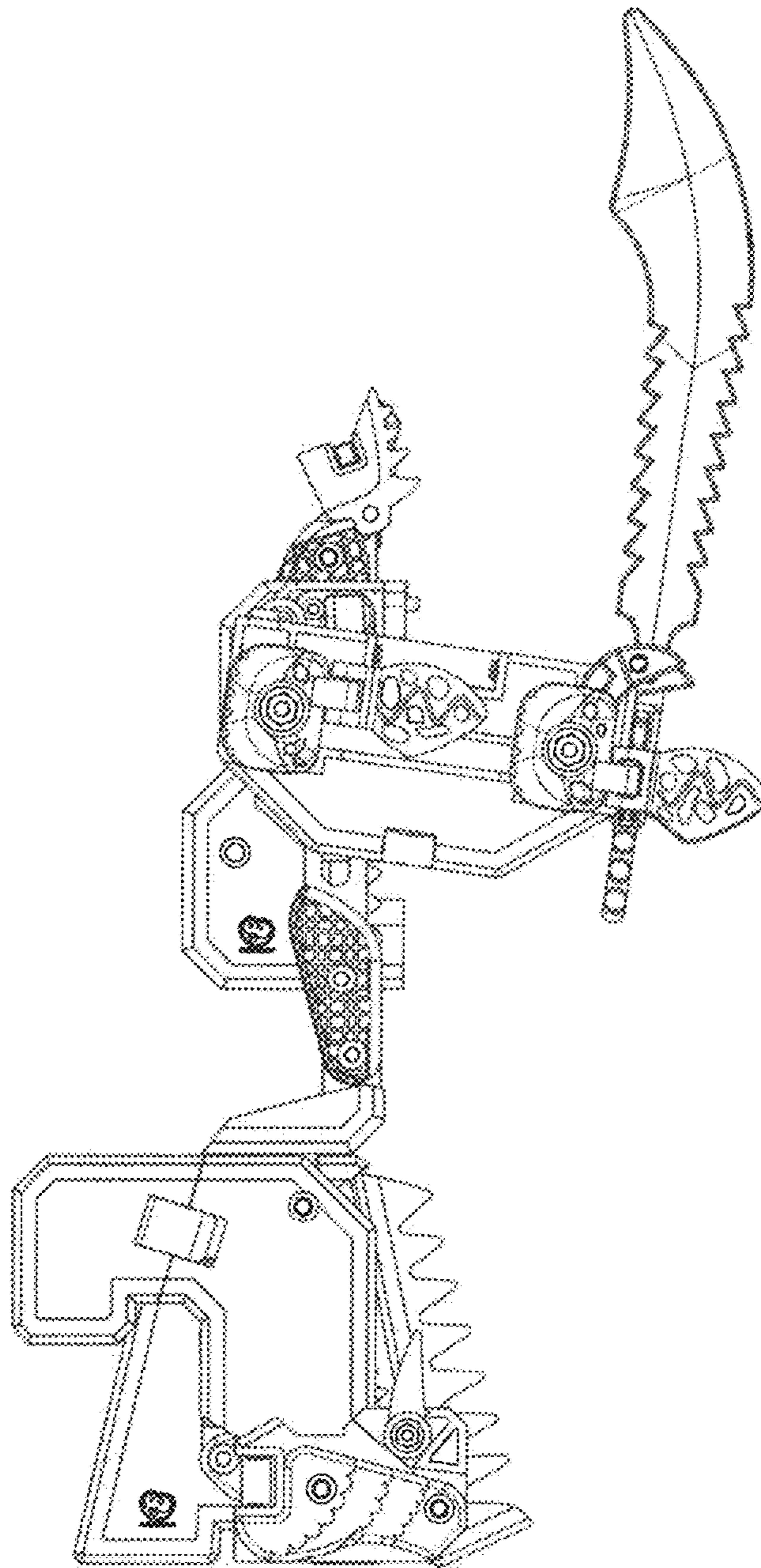


FIG. 4

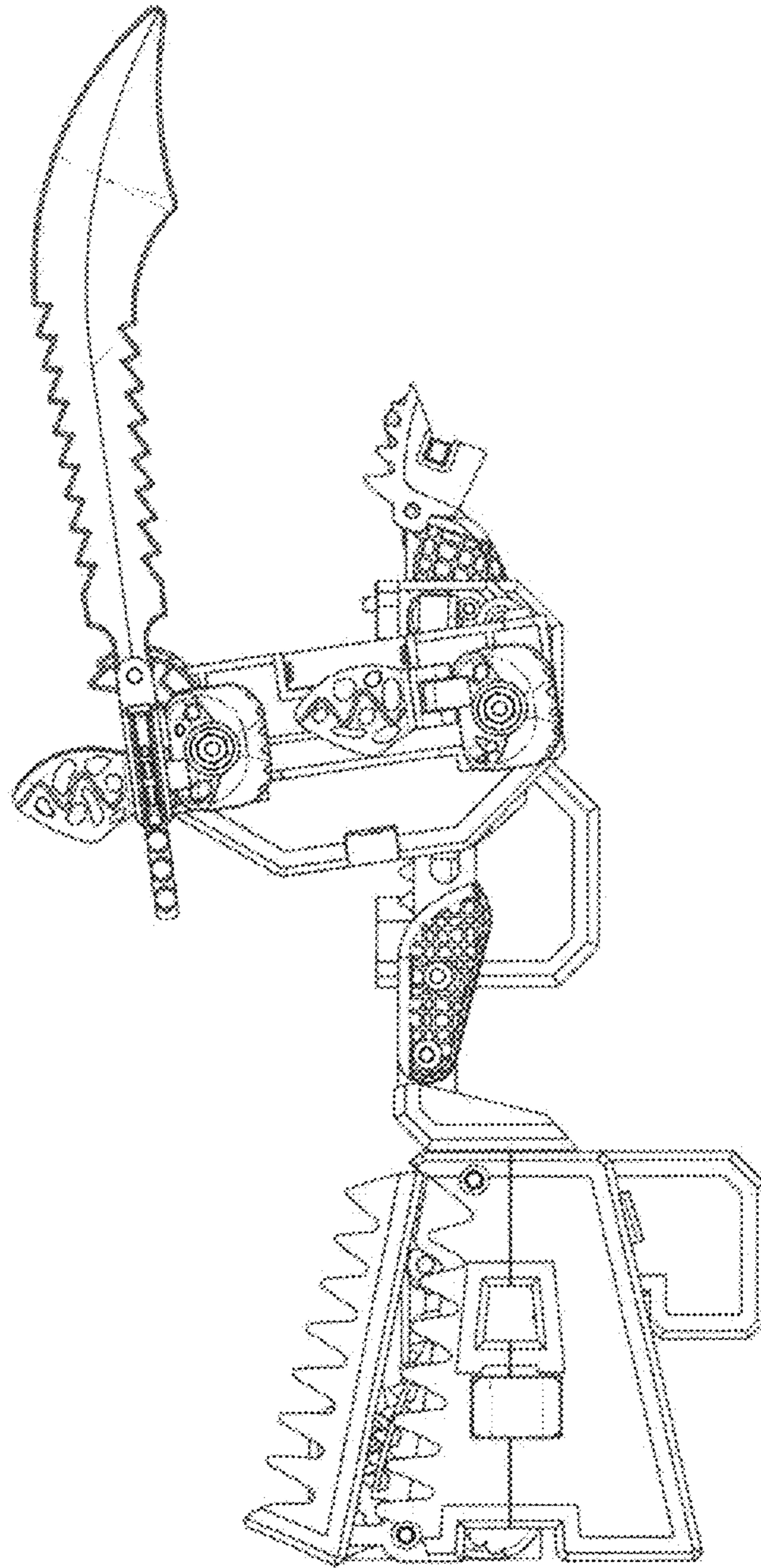


FIG. 5

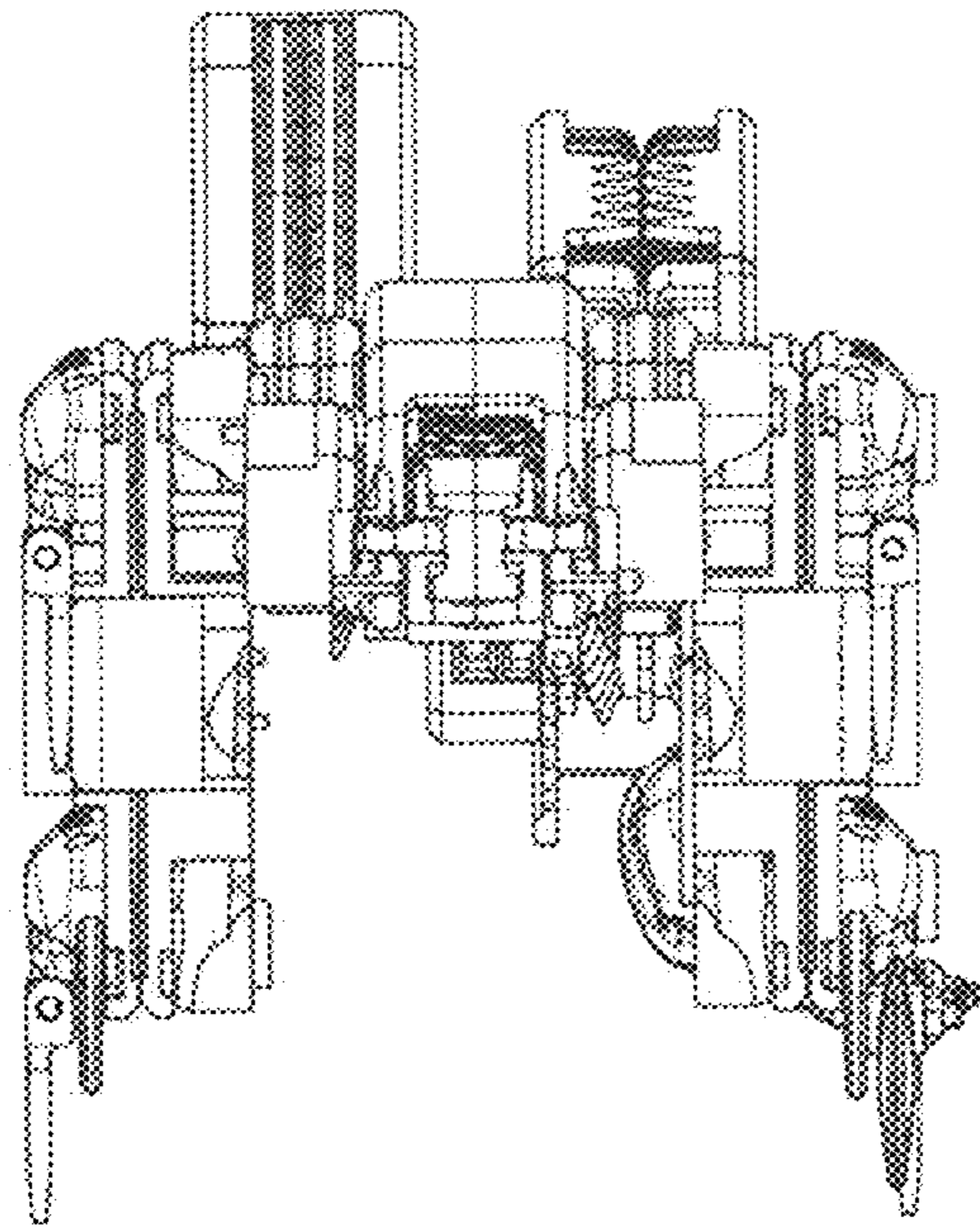


FIG. 6

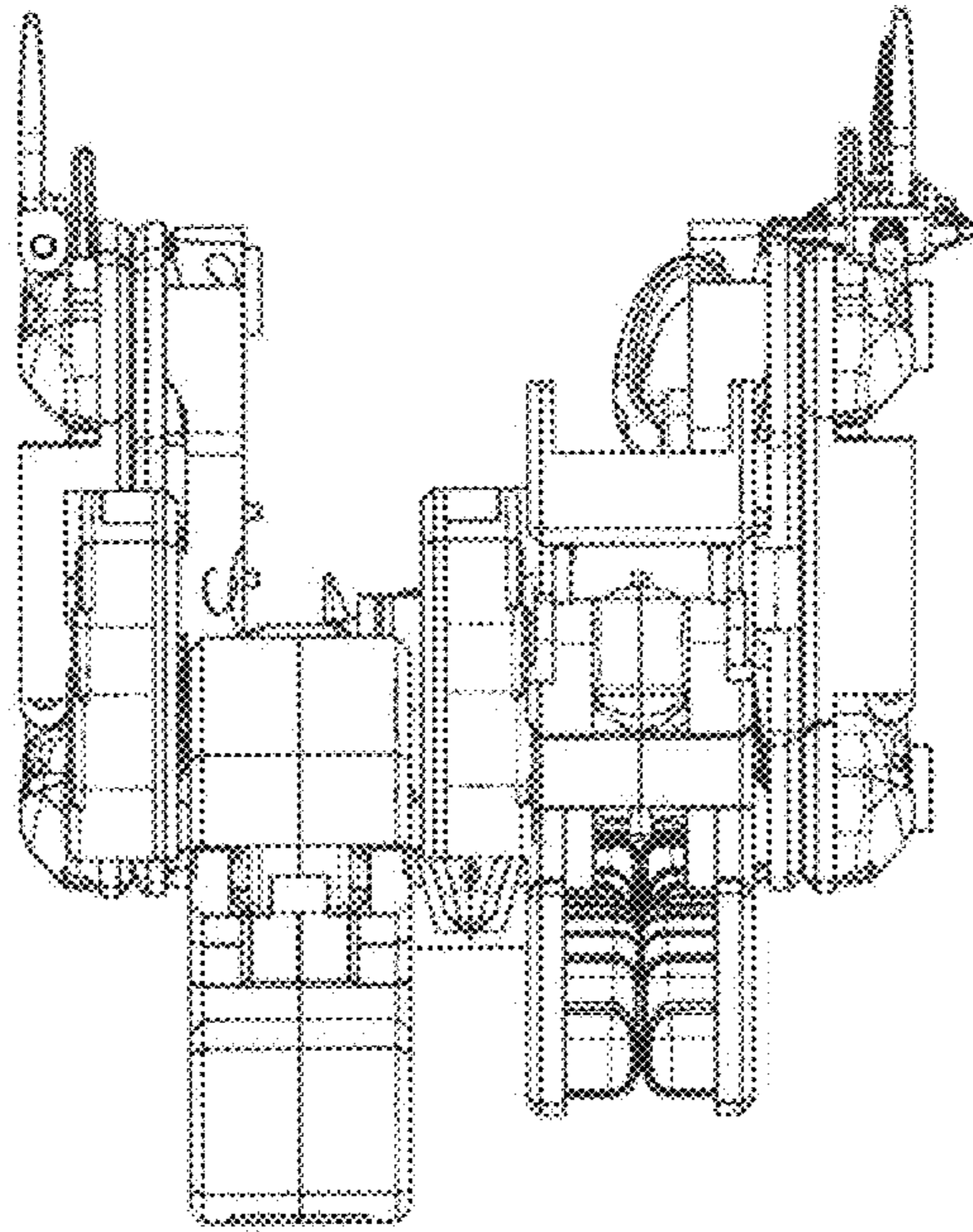


FIG. 7