



US00D917631S

(12) **United States Design Patent**  
**Wang**

(10) **Patent No.:** **US D917,631 S**

(45) **Date of Patent:** **\*\* Apr. 27, 2021**

- (54) **RACE TRACK TOY SET**
- (71) Applicant: **Laltitude LLC**, Hacienda Heights, CA (US)
- (72) Inventor: **Howard Wang**, Hacienda Heights, CA (US)
- (\*\*) Term: **15 Years**
- (21) Appl. No.: **29/729,277**
- (22) Filed: **Mar. 25, 2020**

**Related U.S. Application Data**

- (63) Continuation-in-part of application No. 16/827,350, filed on Mar. 23, 2020.
- (51) **LOC (13) Cl.** ..... **21-01**
- (52) **U.S. Cl.**  
USPC ..... **D21/564**
- (58) **Field of Classification Search**  
USPC ..... D21/564, 565  
CPC .... A63H 18/02; A63H 18/025; A63H 18/028;  
A63H 18/04; A63H 18/10; A63H 18/12;  
A63H 18/14; A63H 18/16; A63H 18/165  
See application file for complete search history.

(56) **References Cited**

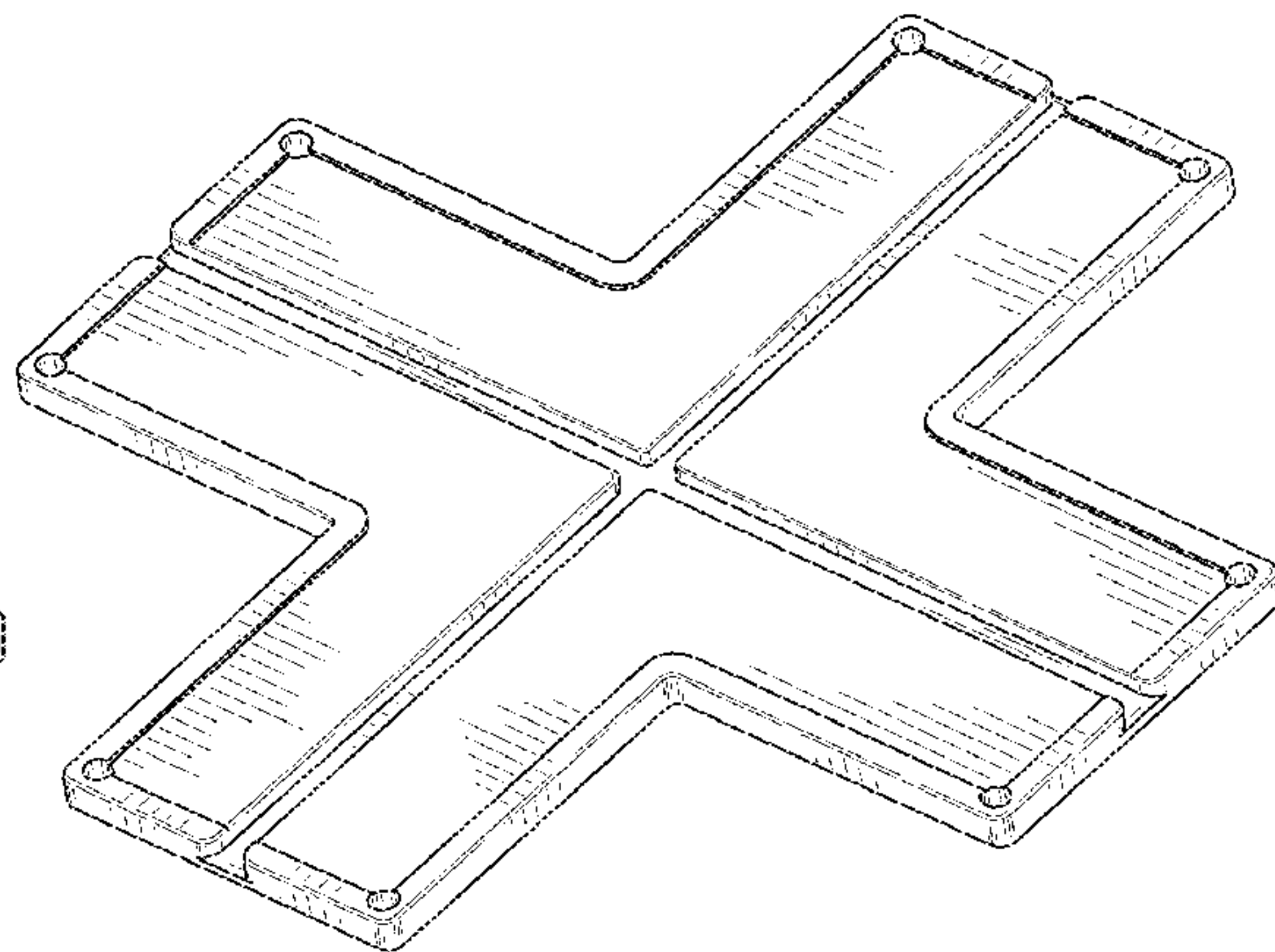
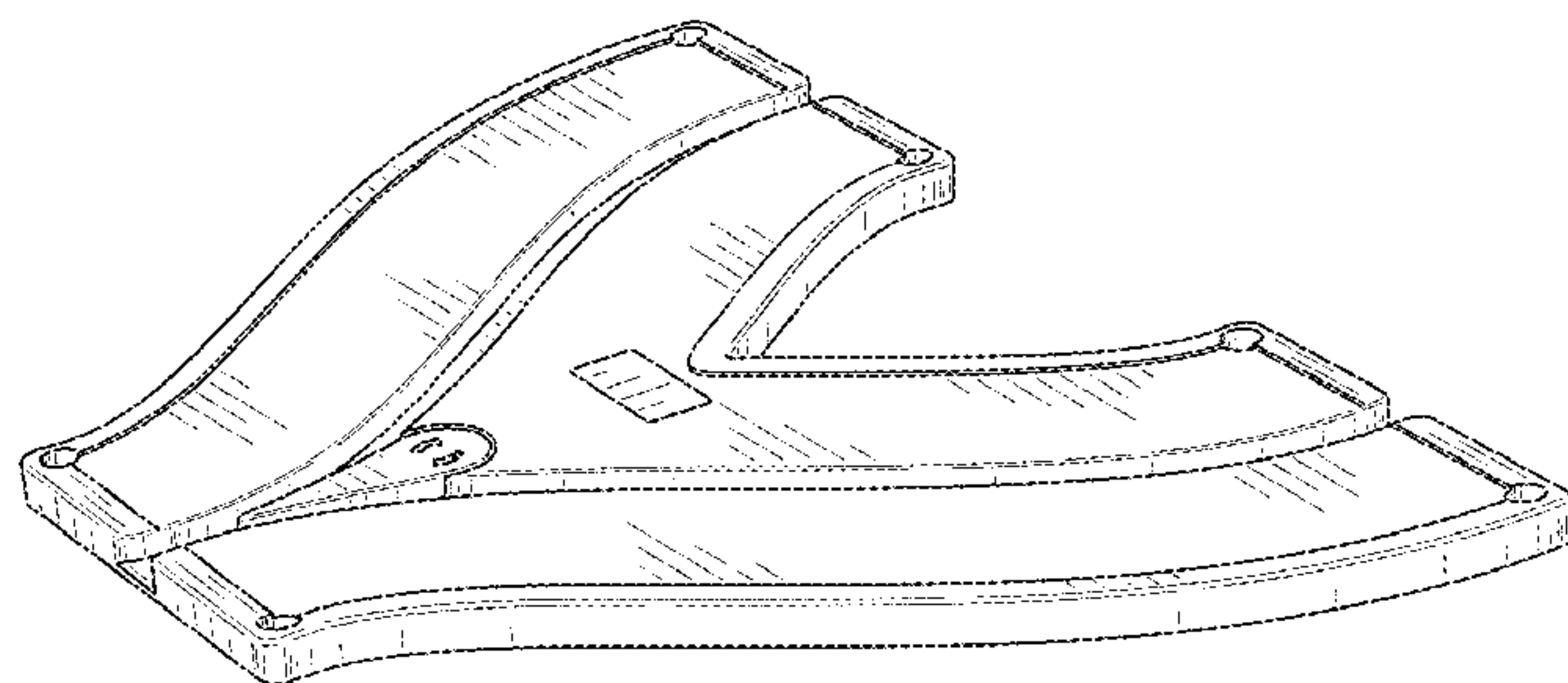
**U.S. PATENT DOCUMENTS**

- 2,690,626 A \* 10/1954 Gay ..... A63H 18/10  
446/130
- D224,089 S \* 7/1972 Narashino ..... D21/564
- D266,529 S \* 10/1982 Aoki ..... D21/564
- 4,504,243 A \* 3/1985 Barlow ..... A63F 3/00634  
446/444
- D280,919 S \* 10/1985 Petersson ..... D21/565
- D296,806 S \* 7/1988 Bach ..... D21/565
- D303,693 S \* 9/1989 Petersson ..... D21/565
- D305,135 S \* 12/1989 Ng ..... D21/564
- D305,676 S \* 1/1990 Ngai ..... D21/565
- D382,026 S \* 8/1997 Petersson ..... D21/565
- D382,027 S \* 8/1997 Petersson ..... D21/565
- D388,138 S \* 12/1997 Lanoix ..... D21/565
- 5,873,521 A \* 2/1999 Ernst ..... A63H 18/00  
104/126

- 6,093,079 A \* 7/2000 House ..... A63H 18/02  
238/10 E
- D600,291 S 9/2009 Christensen
- D624,605 S 9/2010 Kichjo
- D624,608 S \* 9/2010 Yuen ..... D21/564
- D632,348 S \* 2/2011 McNutt ..... D21/565
- D651,661 S \* 1/2012 Yuen ..... D21/565
- 8,282,438 B2 \* 10/2012 Tamulewicz ..... A63H 33/26  
446/129
- D676,496 S 2/2013 Mimlitch, III
- D679,767 S \* 4/2013 Lowe ..... D21/765
- D682,363 S \* 5/2013 Lowe ..... D21/565
- D683,411 S \* 5/2013 Mimlitch, III ..... D21/509
- D689,141 S \* 9/2013 Mimlitch, III ..... A63H 18/02  
D21/565
- D689,142 S \* 9/2013 Mimlitch, III ..... D21/565
- D689,561 S \* 9/2013 Mimlitch, III ..... A63H 18/028  
D21/565
- D689,959 S \* 9/2013 Mimlitch, III ..... A63H 18/10  
D21/565
- D699,302 S \* 2/2014 Mimlitch, III ..... D21/565
- D703,767 S \* 4/2014 Mimlitch, III ..... D21/565
- D713,816 S 9/2014 Fleetwood et al.
- D716,879 S 11/2014 Norman
- D775,694 S 1/2017 Kaplan
- D809,071 S 1/2018 Liu
- 10,758,834 B2 \* 9/2020 Klein ..... A63H 33/42
- 10,843,095 B2 \* 11/2020 Paperno ..... A63H 18/02
- 2008/0265049 A1 \* 10/2008 Stadlbauer ..... A63H 18/08  
238/1 OF
- 2010/0248586 A1 \* 9/2010 Cochella ..... A63H 18/02  
446/444
- 2010/0258646 A1 \* 10/2010 Tamulewicz ..... A63H 18/02  
238/10 B
- 2016/0074762 A1 \* 3/2016 Klein ..... A63H 18/02  
446/174
- 2019/0192983 A1 \* 6/2019 Silvergate ..... A63H 18/028
- 2019/0255451 A1 \* 8/2019 Paperno ..... A63H 33/16
- 2020/0330886 A1 \* 10/2020 Kelliher ..... A63H 19/30
- 2020/0360827 A1 \* 11/2020 Wang ..... A63H 18/02
- 2021/0031118 A1 \* 2/2021 Cao ..... A63H 18/02

**OTHER PUBLICATIONS**

PicassoTiles 80 Piece Race Car Track Building Block Educational Toy Set Magnetic Tiles Magnet DIY Playset, Reviewed Feb. 19, 2019 [online], [site visited Aug. 28, 2020], Available from Internet: <URL: [https://www.amazon.com/gp/customer-reviews/R3W4G66YR6N462/ref=cm\\_cr\\_arp\\_d\\_rvw\\_img?ie=UTF8&ASIN=B07MWGZKCB](https://www.amazon.com/gp/customer-reviews/R3W4G66YR6N462/ref=cm_cr_arp_d_rvw_img?ie=UTF8&ASIN=B07MWGZKCB)> (Year: 2019).\*





Magna tile traffic set, picasso tile racing car set, uploaded Aug. 30, 2018 by Vohoho Toys [online], [site visited Aug. 28, 2020], Available from Internet: <URL: <https://www.youtube.com/watch?v=5JCMXNseCEQ>> (Year: 2018).\*

“Magnetic tile racing car set” uploaded Sep. 1, 2018 by Vohoho Toys [online], [site visited Aug. 28, 2020], Available from Internet: <URL: <https://www.youtube.com/watch?v=yZRQpW1Hf80>> (Year: 2018).\*

Magnetic Racing Track 55 Piece By Mag-Genius Ultimate Fantasy Racing Set, reviewed May 24, 2019 [online], [site visited Aug. 28, 2020], Available from Internet: <URL: <https://www.walmart.com/ip/Magnetic-Racing-Track-55-Piece-By-Mag-Genius-Ultimate-Fantasy-Racing-Set/598938250?selected=true>> (Year: 2019).\*

Best Choice Products Magnetic Tile Car Race Track Set, reviewed Nov. 12, 2019 [online], [site visited Aug. 28, 2020], Available from Internet: <URL: <https://www.walmart.com/ip/Best-Choice-Products-105-Piece-Kids-Magnetic-Tile-Car-Race-Track-STEM-Learning-Building-Toy-Set-w-2-Light-Up-Cars/873867840?>> (Year: 2019).\*

\* cited by examiner

*Primary Examiner* — Cynthia M. Chin

(74) *Attorney, Agent, or Firm* — Clement Chang

(57) **CLAIM**

The ornamental design for a race track toy set, as shown and described.

**DESCRIPTION**

FIG. 1 is a front view of race track toy set 2 way split piece.

FIG. 2 is a back view of race track toy set 2 way split piece.

FIG. 3 is a top view of a race track toy set 2 way split piece.

FIG. 4 is a bottom view of a race track toy set 2 way split piece.

FIG. 5 is a perspective view of a race track toy set 2 way split piece.

FIG. 6 is a left side view of a race track toy set 2 way split piece.

FIG. 7 is a right side view of a race track toy set 2 way split piece.

FIG. 8 is a bottom left perspective view of a race track toy set 2 way split piece.

FIG. 9 is a bottom right perspective view of a race track toy set 2 way split piece.

FIG. 10 is a top left perspective view of a race track toy set 2 way split piece.

FIG. 11 is a top right perspective view of a race track toy set 2 way split piece.

FIG. 12 is a front view of a race track toy set 4 way cross section piece.

FIG. 13 is a back view of a race track toy set 4 way cross section piece.

FIG. 14 is a top view of a race track toy set 4 way cross section piece.

FIG. 15 is a bottom view of a race track toy set 4 way cross section piece.

FIG. 16 is a perspective view of a race track toy set 4 way cross section piece.

FIG. 17 is a left side view of a race track toy set 4 way cross section piece.

FIG. 18 is a right side view of a race track toy set 4 way cross section piece.

FIG. 19 is a bottom left perspective view of a race track toy set 4 way cross section piece.

FIG. 20 is a bottom right perspective view of race track toy set 4 way cross section piece.

FIG. 21 is a top left perspective view of a race track toy set 4 way cross section piece.

FIG. 22 is a top right perspective view of a race track toy set 4 way cross section piece.

FIG. 23 is a front view of a marble run toy set column piece.

FIG. 24 is a back view of a race track toy set column piece.

FIG. 25 is a top view of a race track toy set column piece.

FIG. 26 is a bottom view of a race track toy set column piece.

FIG. 27 is a perspective view of a race track toy set column piece.

FIG. 28 is a left side view of a race track toy set column piece.

FIG. 29 is a right side view of a race track toy set column piece.

FIG. 30 is a bottom left perspective view of a race track toy set column piece.

FIG. 31 is a bottom right perspective view of a race track toy set column piece.

FIG. 32 is a top left perspective view of a race track toy set column piece.

FIG. 33 is a top right perspective view of a race track toy set column piece.

FIG. 34 is a front view of a race track toy set road 1×1 piece.

FIG. 35 is a back view of a race track toy set road 1×1 piece.

FIG. 36 is a top view of a race track toy set road 1×1 piece.

FIG. 37 is a bottom view of a race track toy set road 1×1 piece.

FIG. 38 is a perspective view of a race track toy set road 1×1 piece.

FIG. 39 is a left side view of a race track toy set road 1×1 piece.

FIG. 40 is a right side view of a race track toy set road 1×1 piece.

FIG. 41 is a bottom left perspective view of a race track toy set road 1×1 piece.

FIG. 42 is a bottom right perspective view of a race track toy set road 1×1 piece.

FIG. 43 is a top left perspective view of a race track toy set road 1×1 piece.

FIG. 44 is a top right perspective view of a race track toy set road 1×1 piece.

FIG. 45 is a front view of a race track toy set road 2×1 piece.

FIG. 46 is a back view of a race track toy set road 2×1 piece.

FIG. 47 is a top view of a race track toy set road 2×1 piece.

FIG. 48 is a bottom view of a race track toy set road 2×1 piece.

FIG. 49 is a perspective view of a race track toy set road 2×1 piece.

FIG. 50 is a left side view of a race track toy set road 1×1 piece.

FIG. 51 is a right side view of a race track toy set road 2×1 piece.

FIG. 52 is a bottom left perspective view of a race track toy set road 2×1 piece.

FIG. 53 is a bottom right perspective view of a race track toy set road 2×1 piece.

FIG. 54 is a top left perspective view of a race track toy set road 2×1 piece; and,

FIG. 55 is a top right perspective view of a race track toy set road 2×1 piece.

The pieces of the race track toy set are shown separately for ease and clarity of illustration.

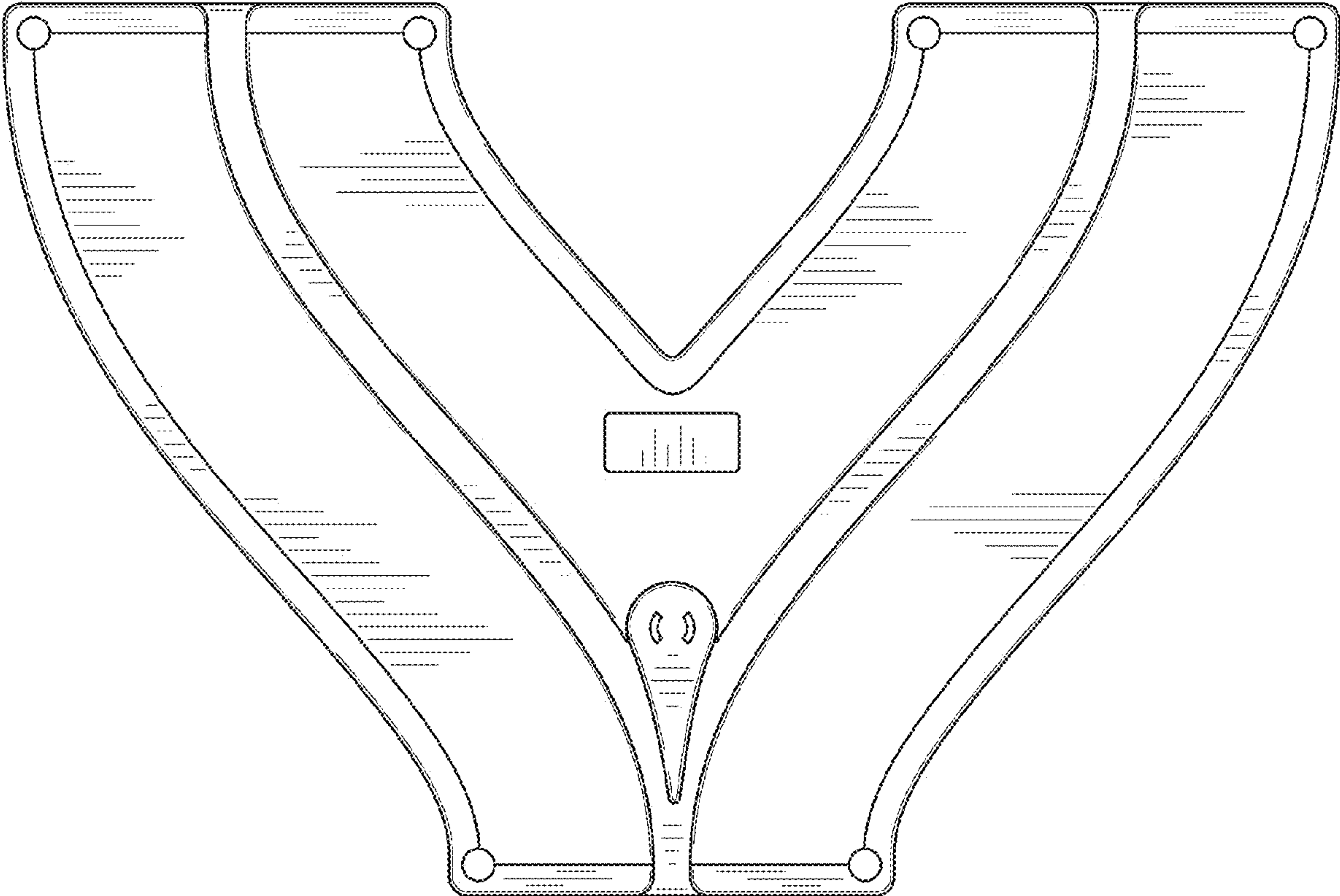


Fig. 1

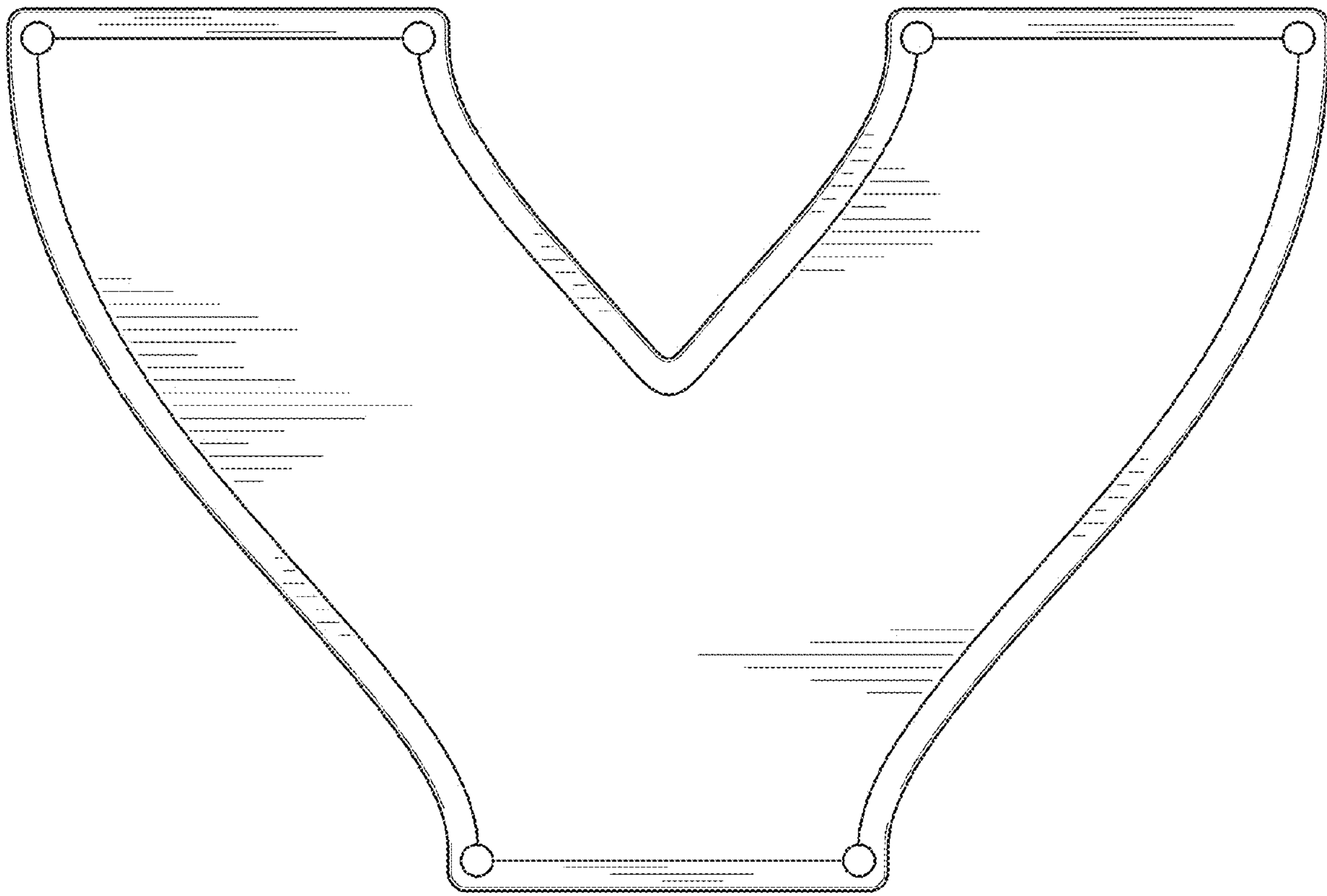


Fig. 2

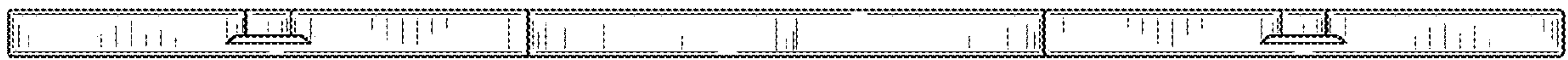


Fig. 3





Fig. 4

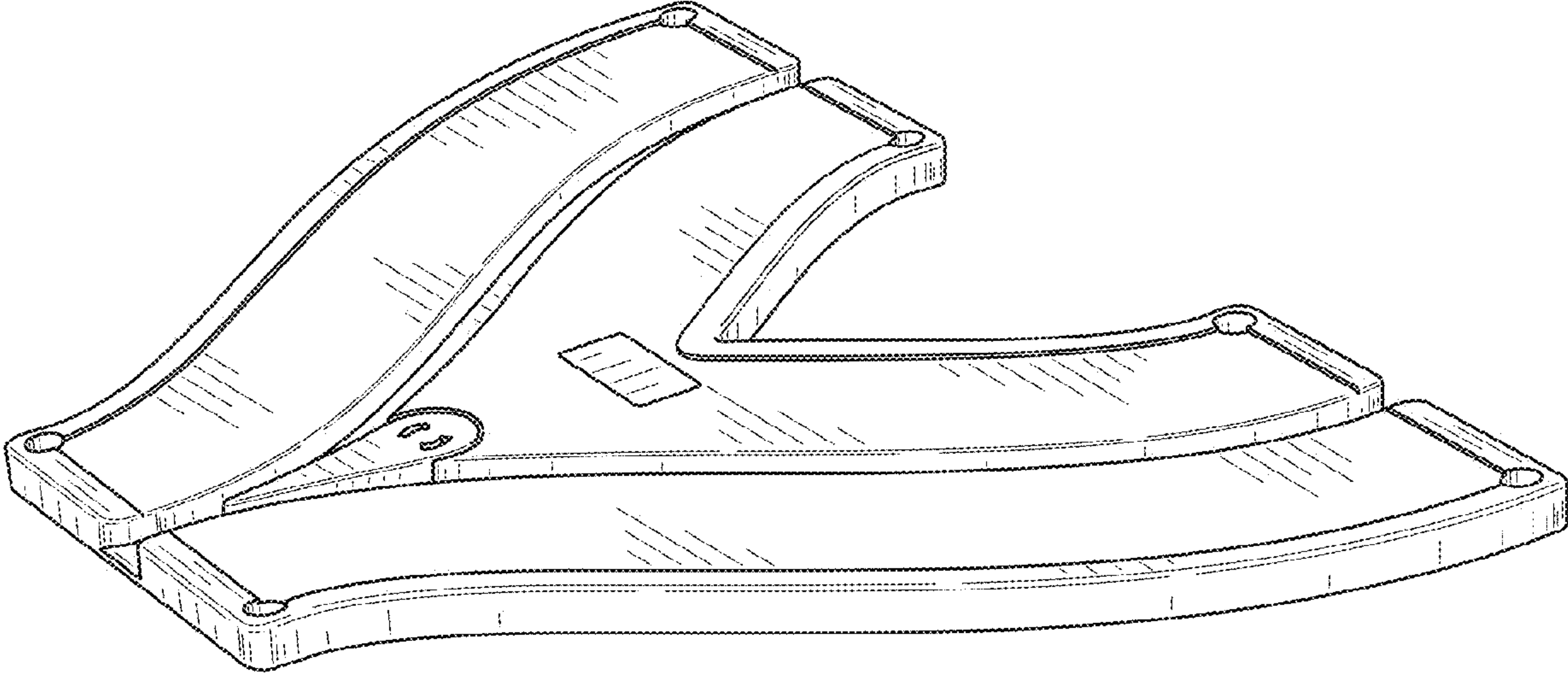


Fig. 5



Fig. 6





Fig. 7

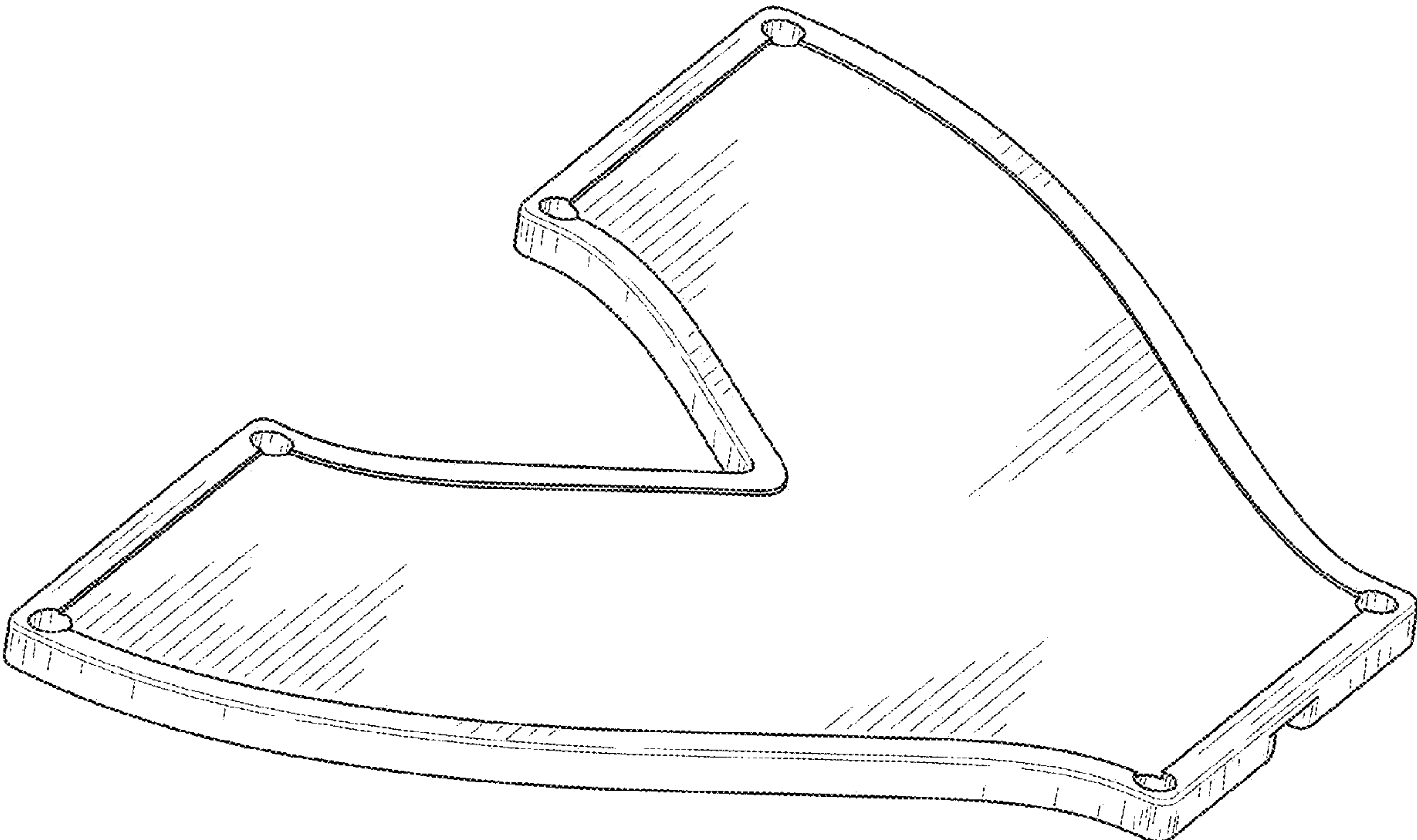


Fig. 8

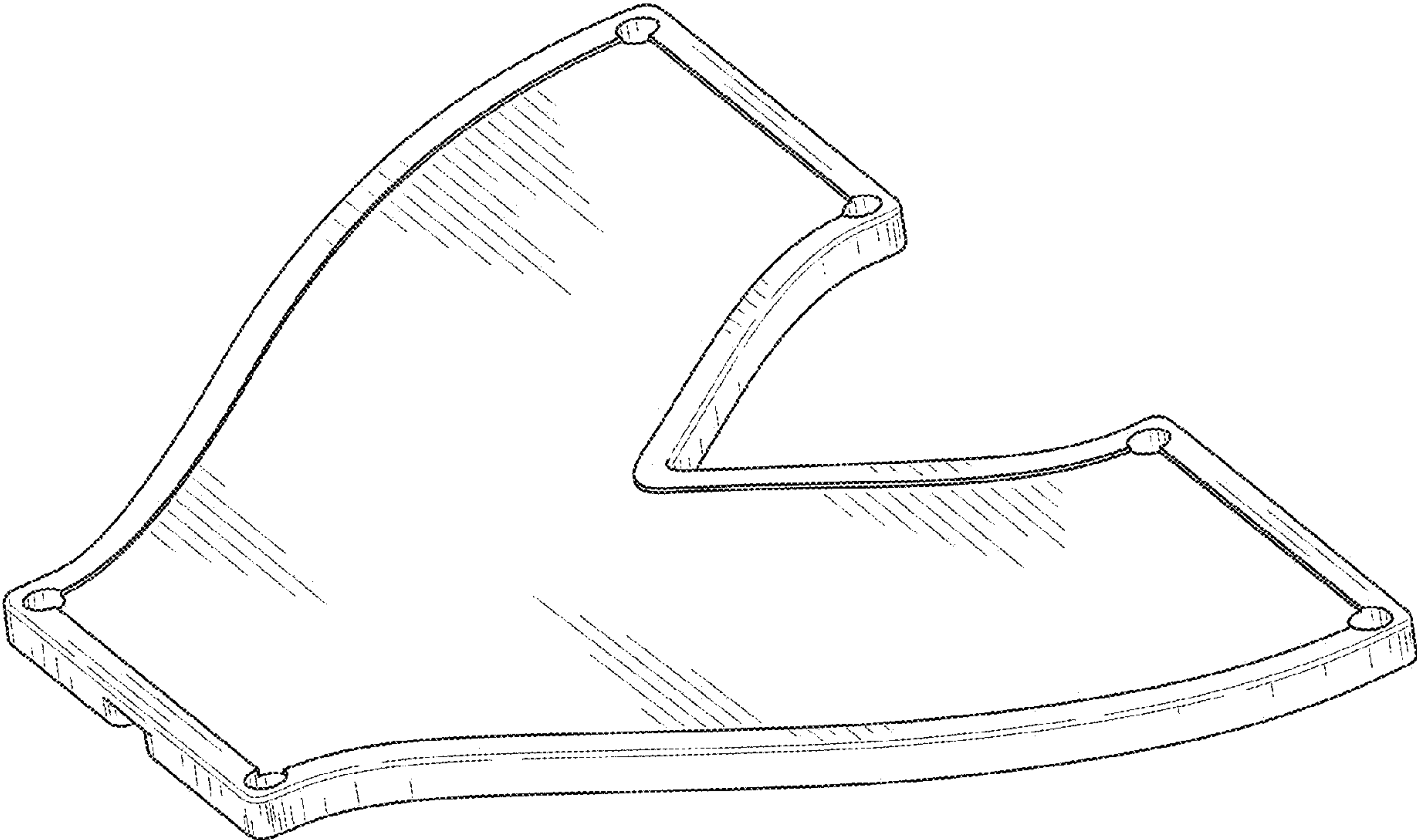


Fig. 9

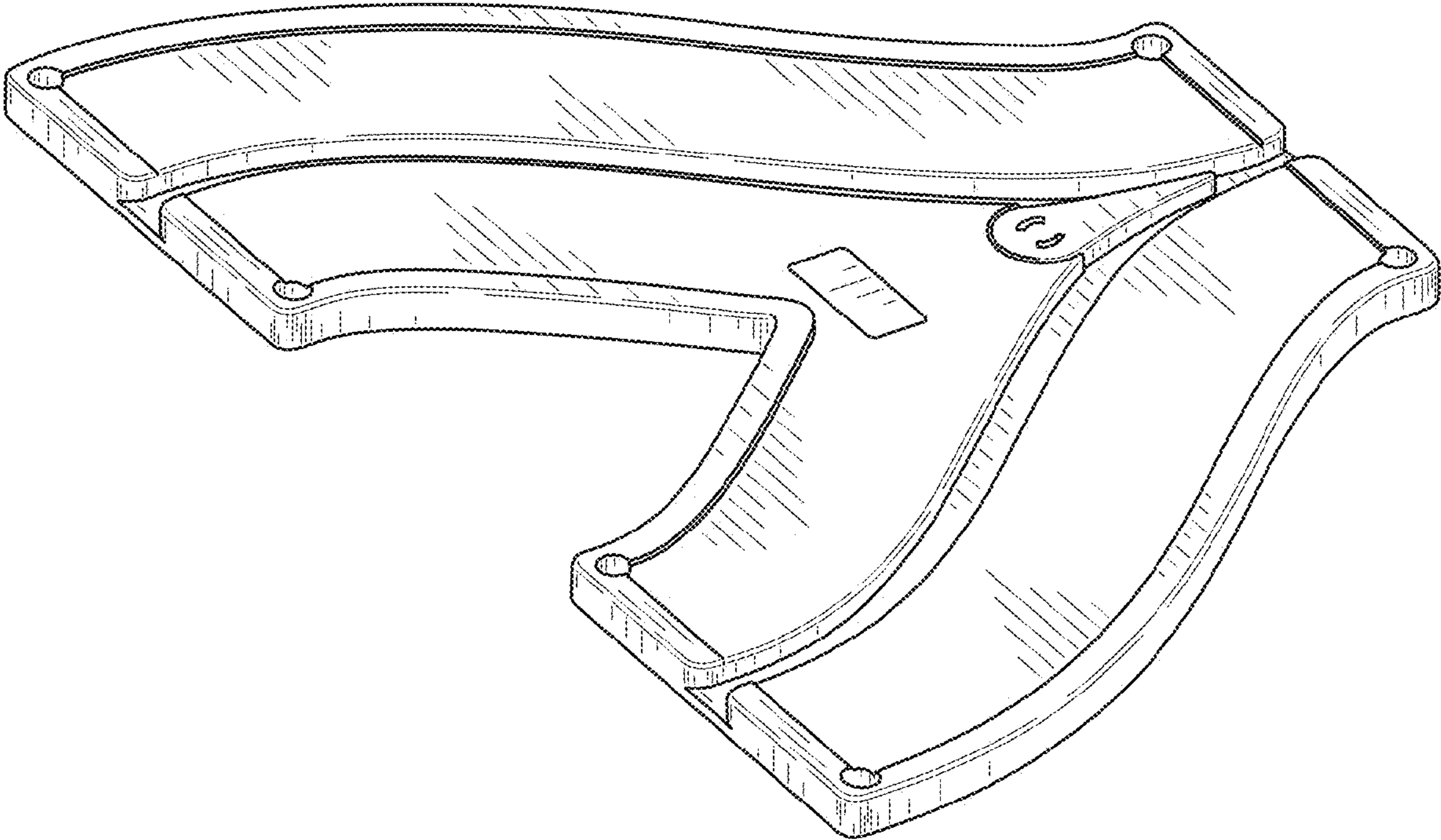


Fig. 10



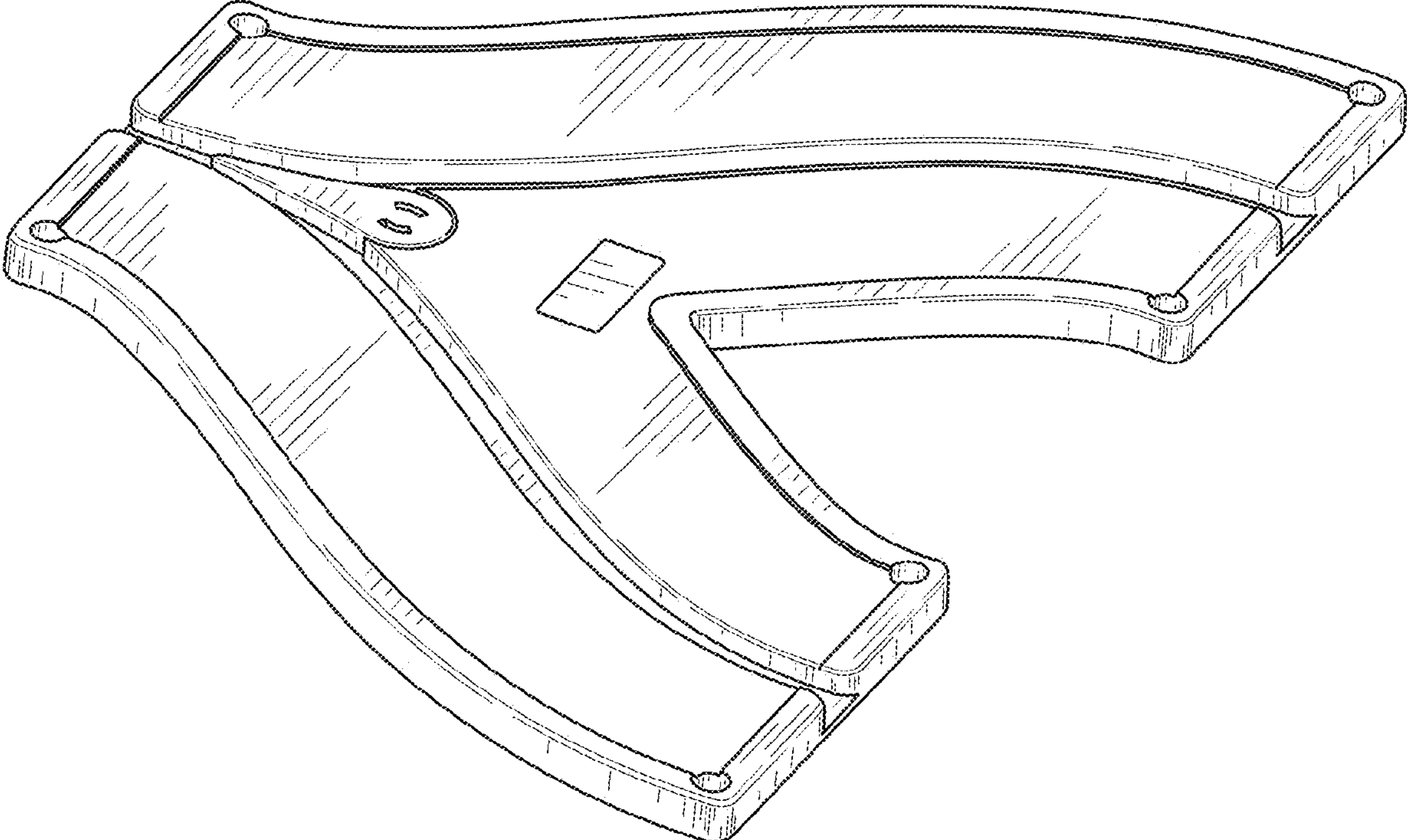


Fig. 11

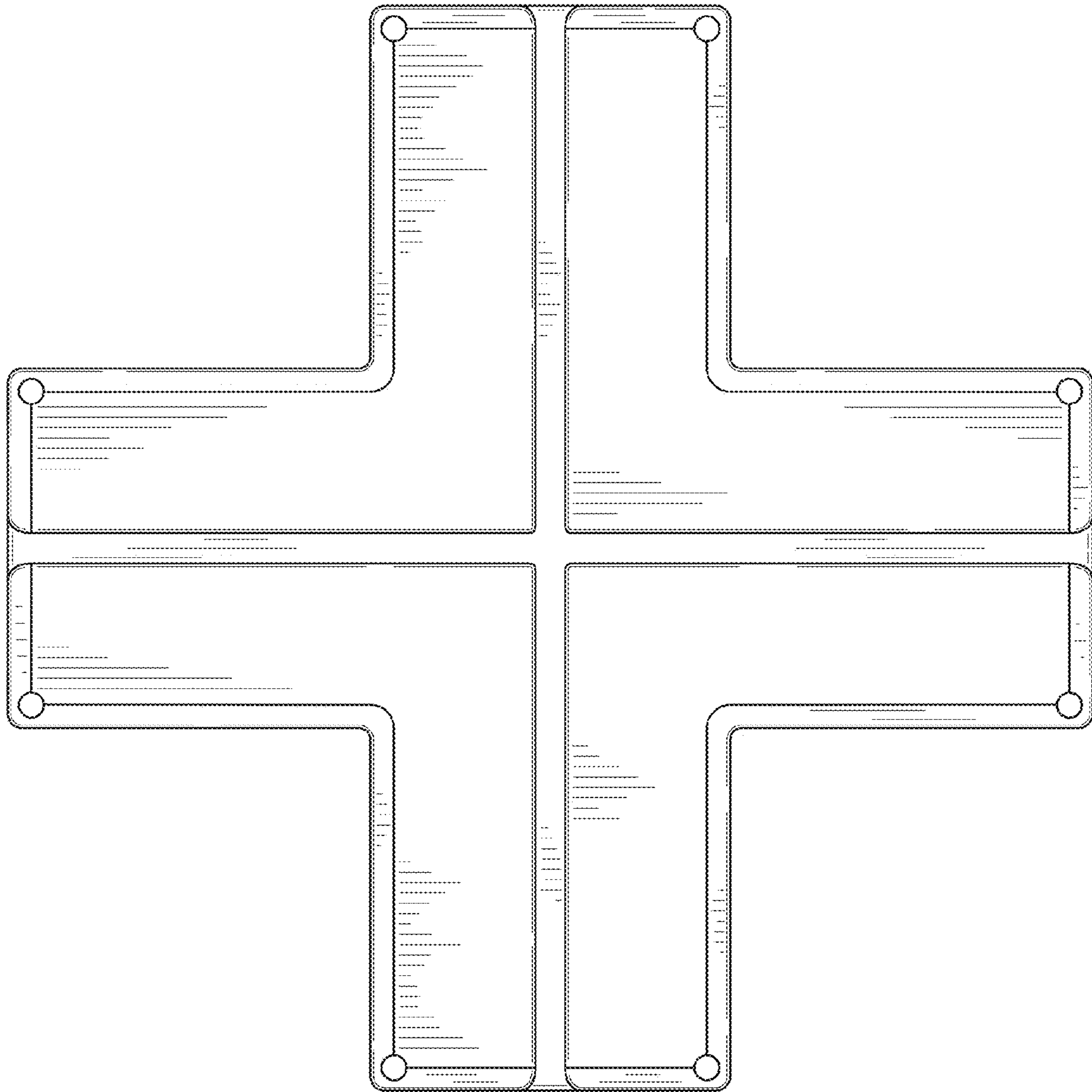


Fig. 12

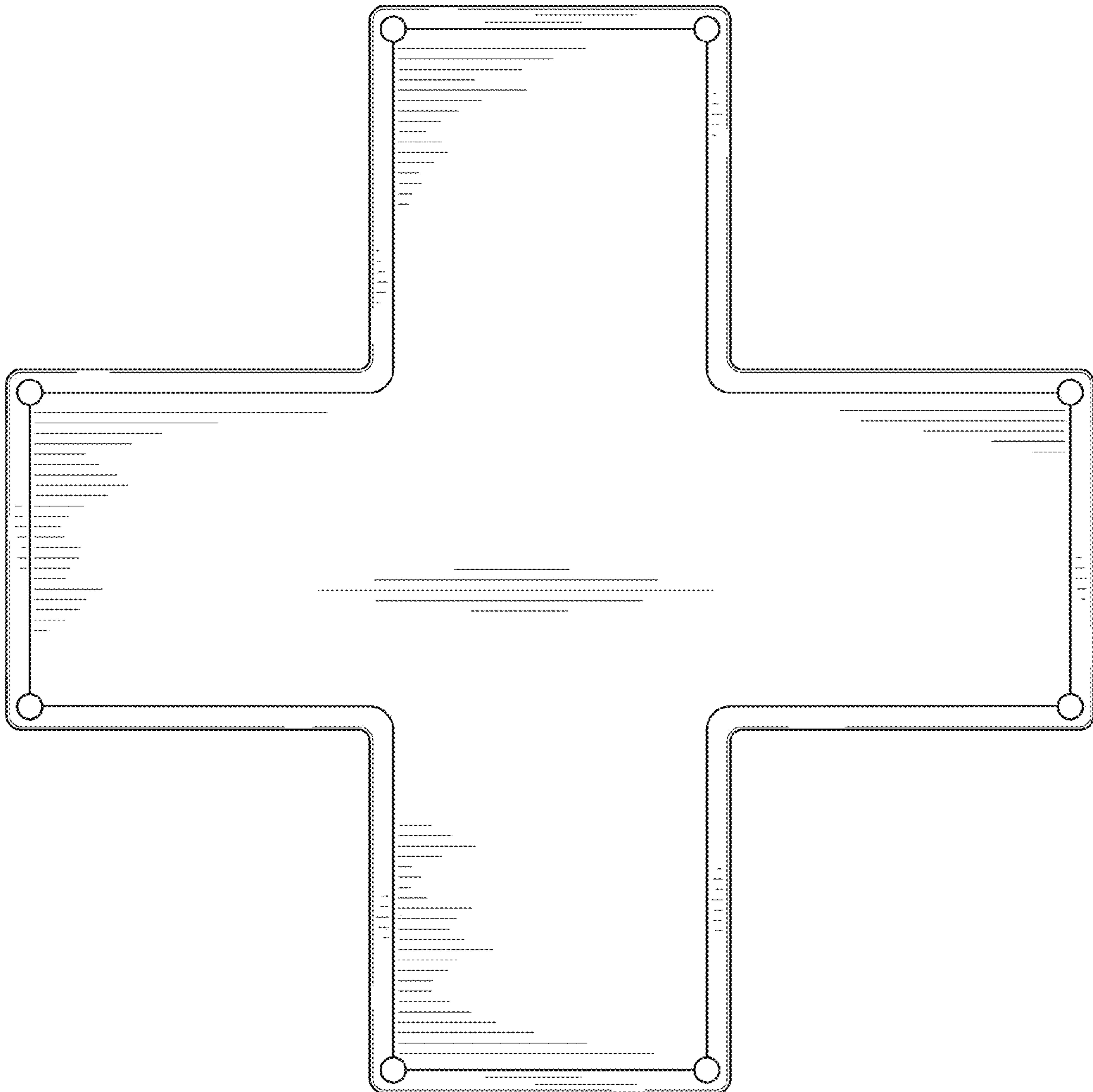


Fig. 13



Fig. 14



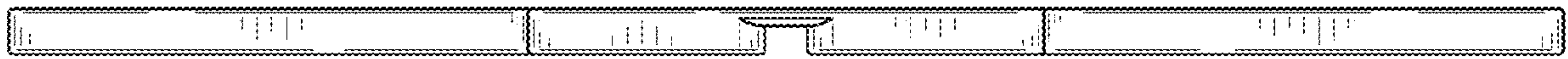


Fig. 15

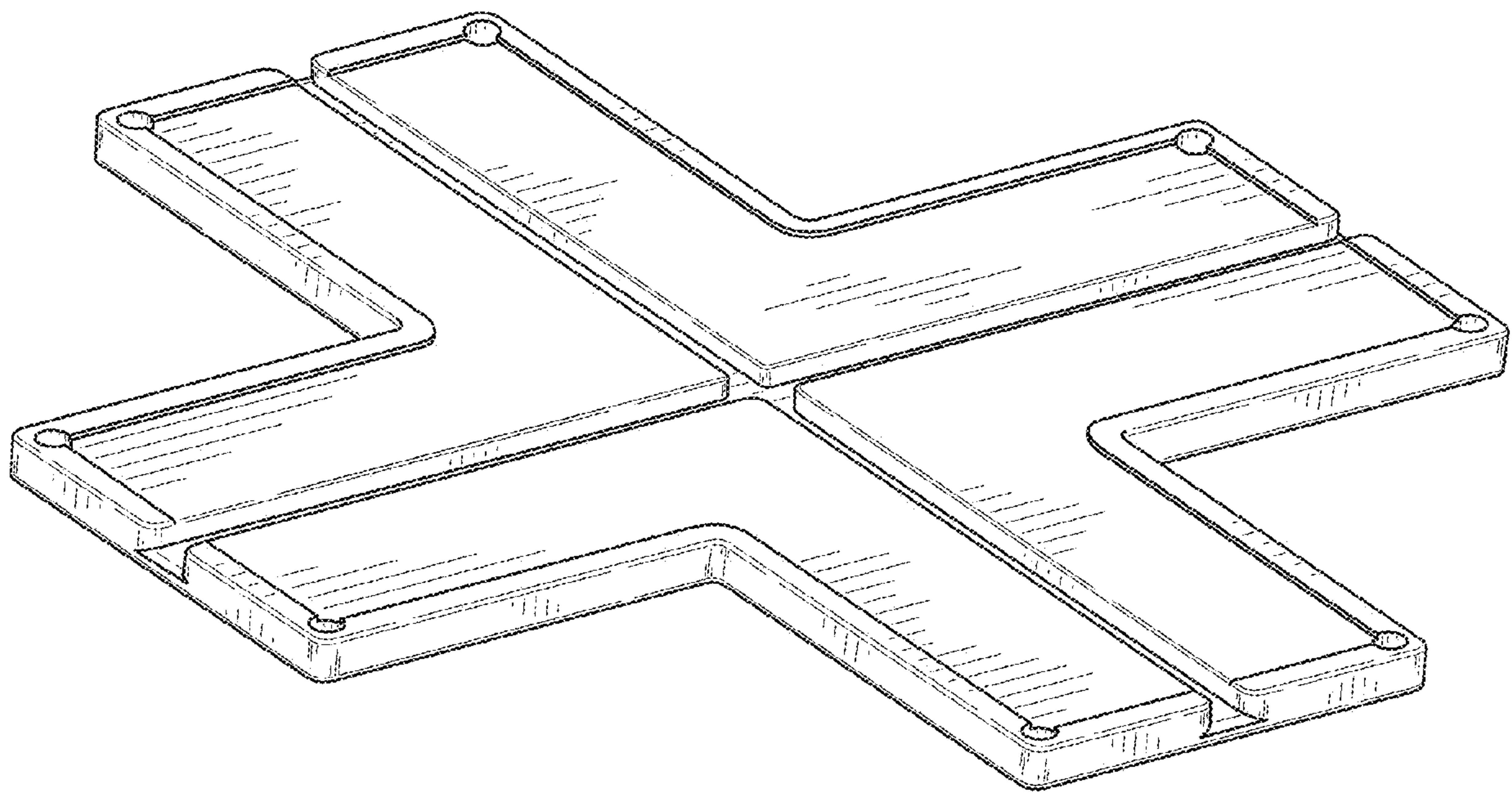


Fig. 16



Fig. 17



Fig. 18



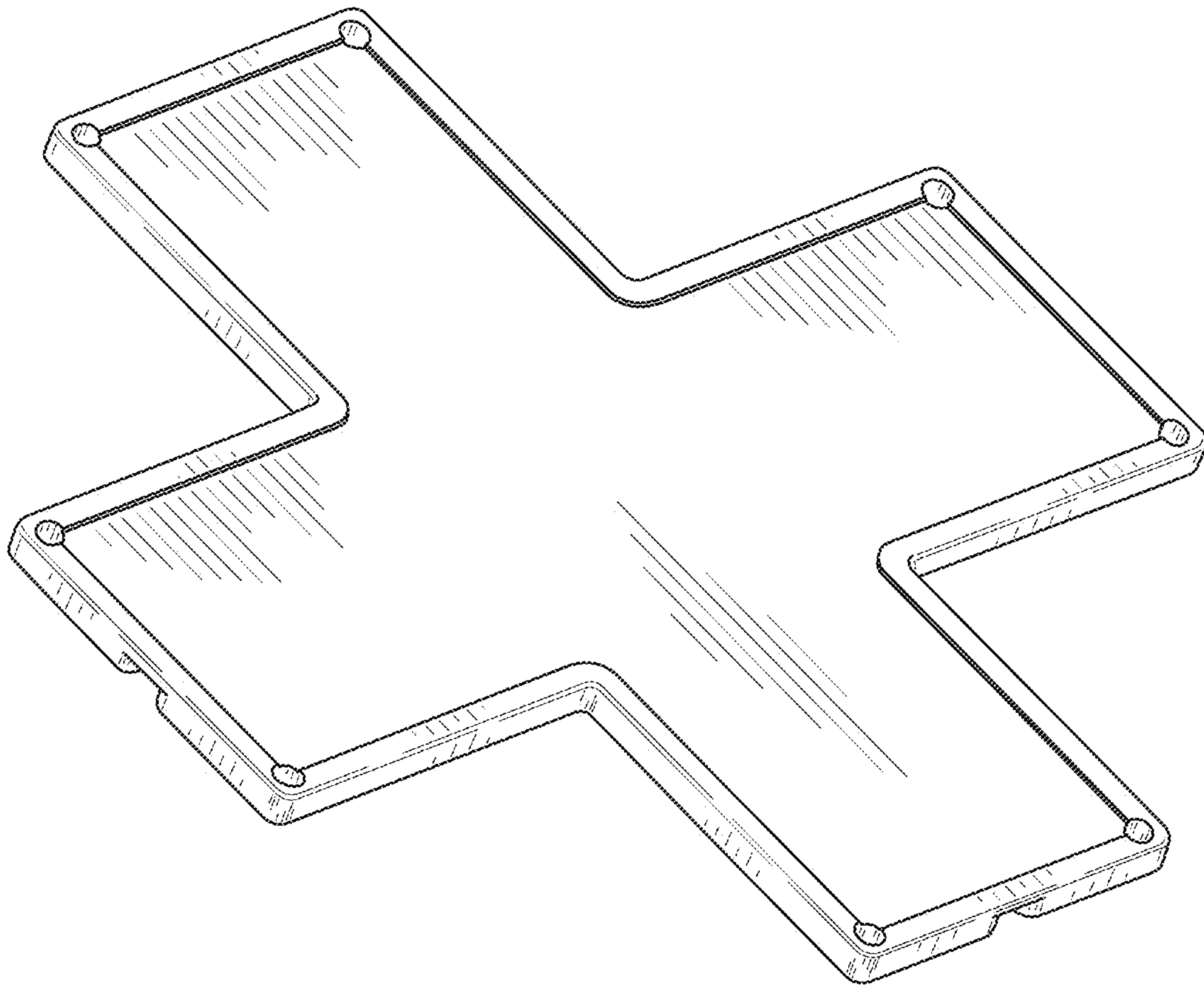


Fig. 19

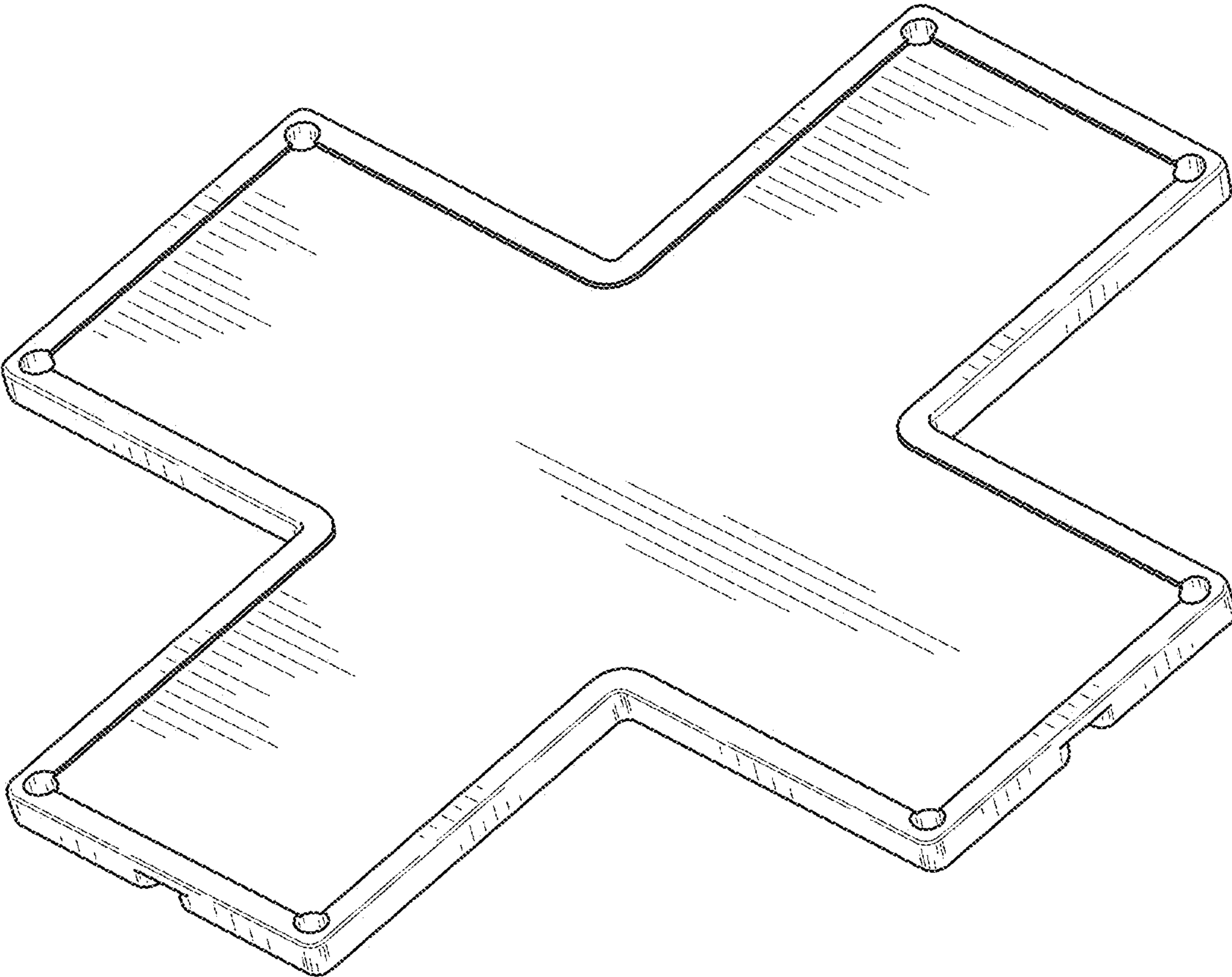


Fig. 20

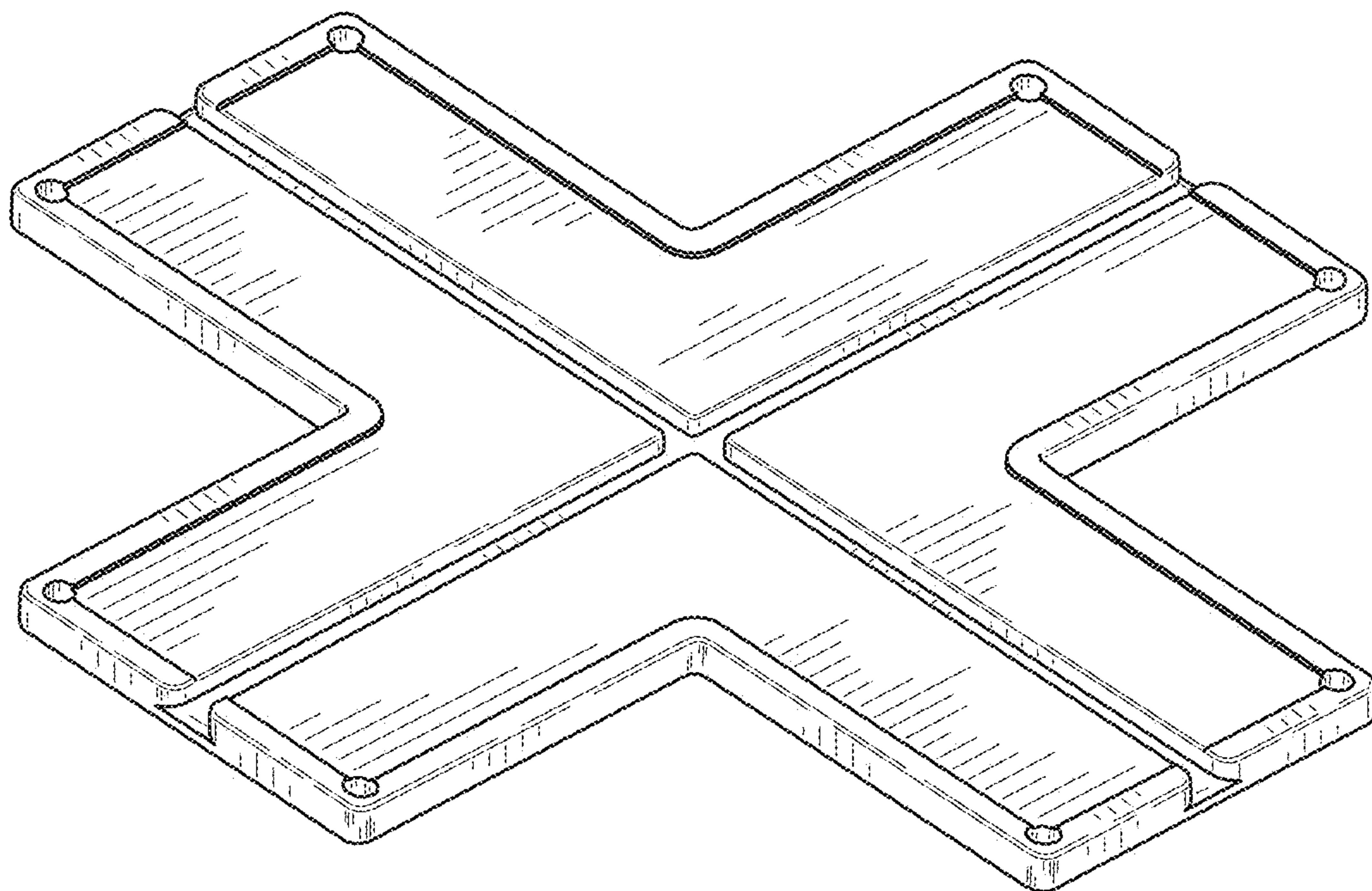


Fig. 21

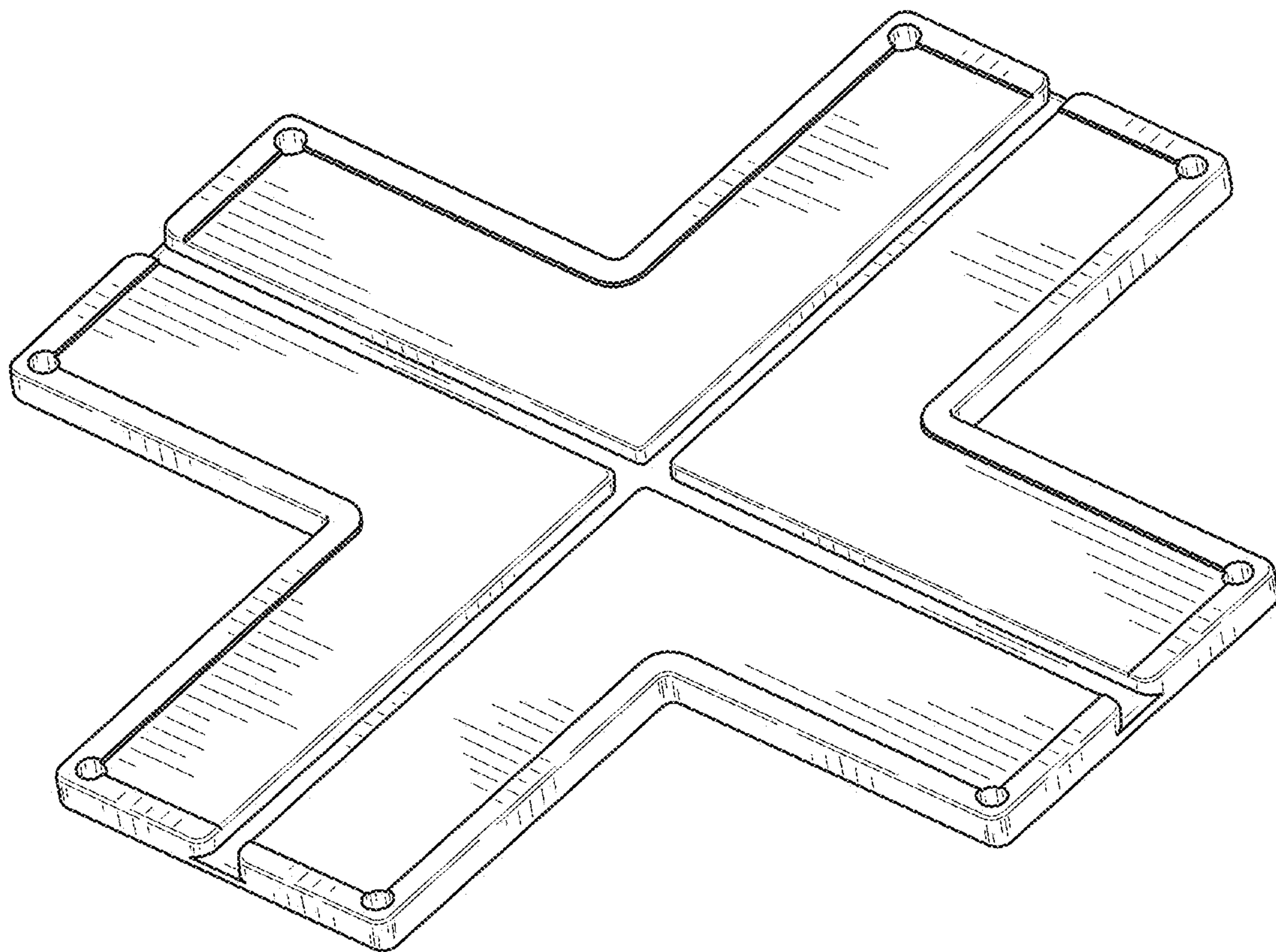


Fig. 22



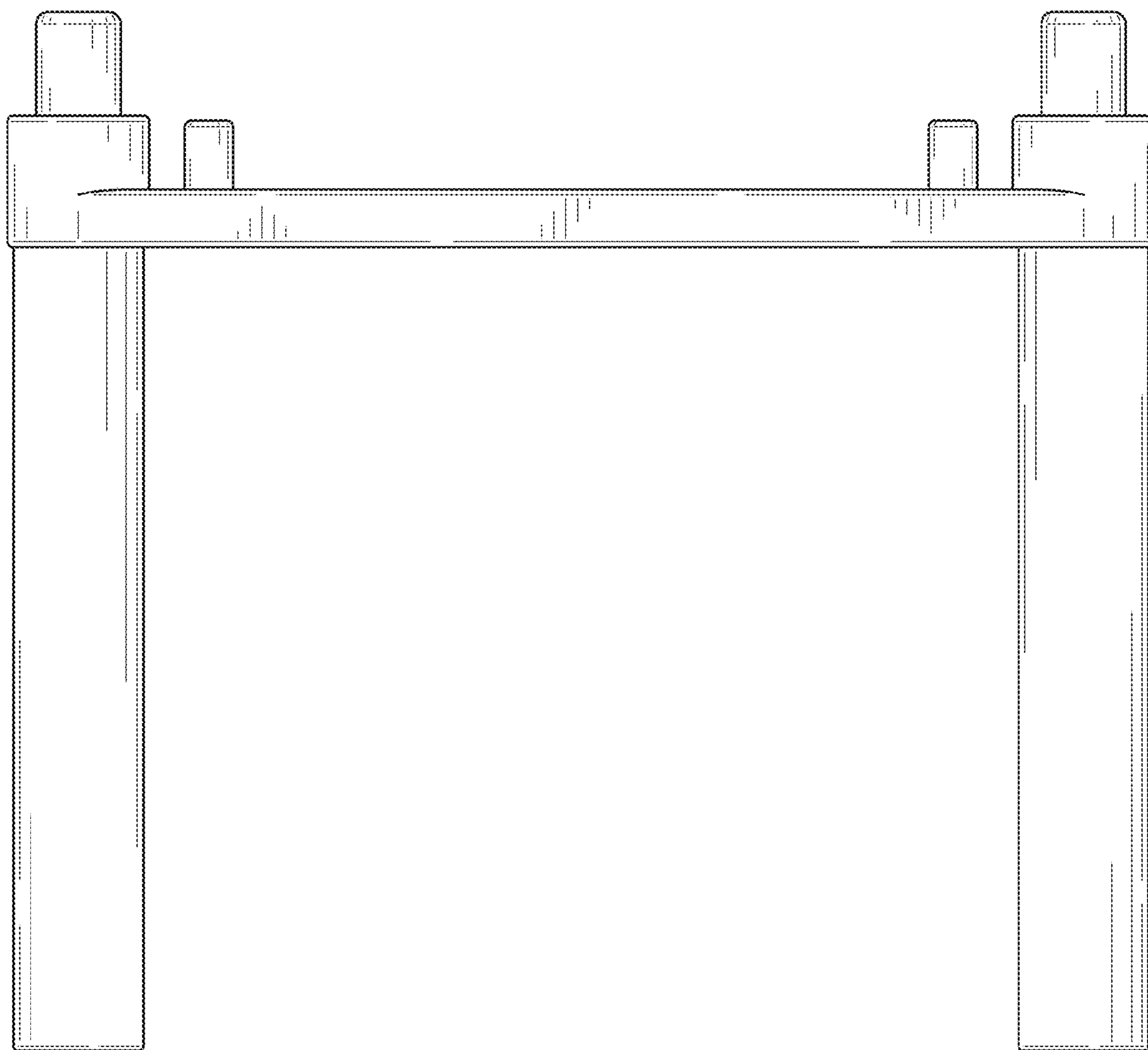


Fig. 23

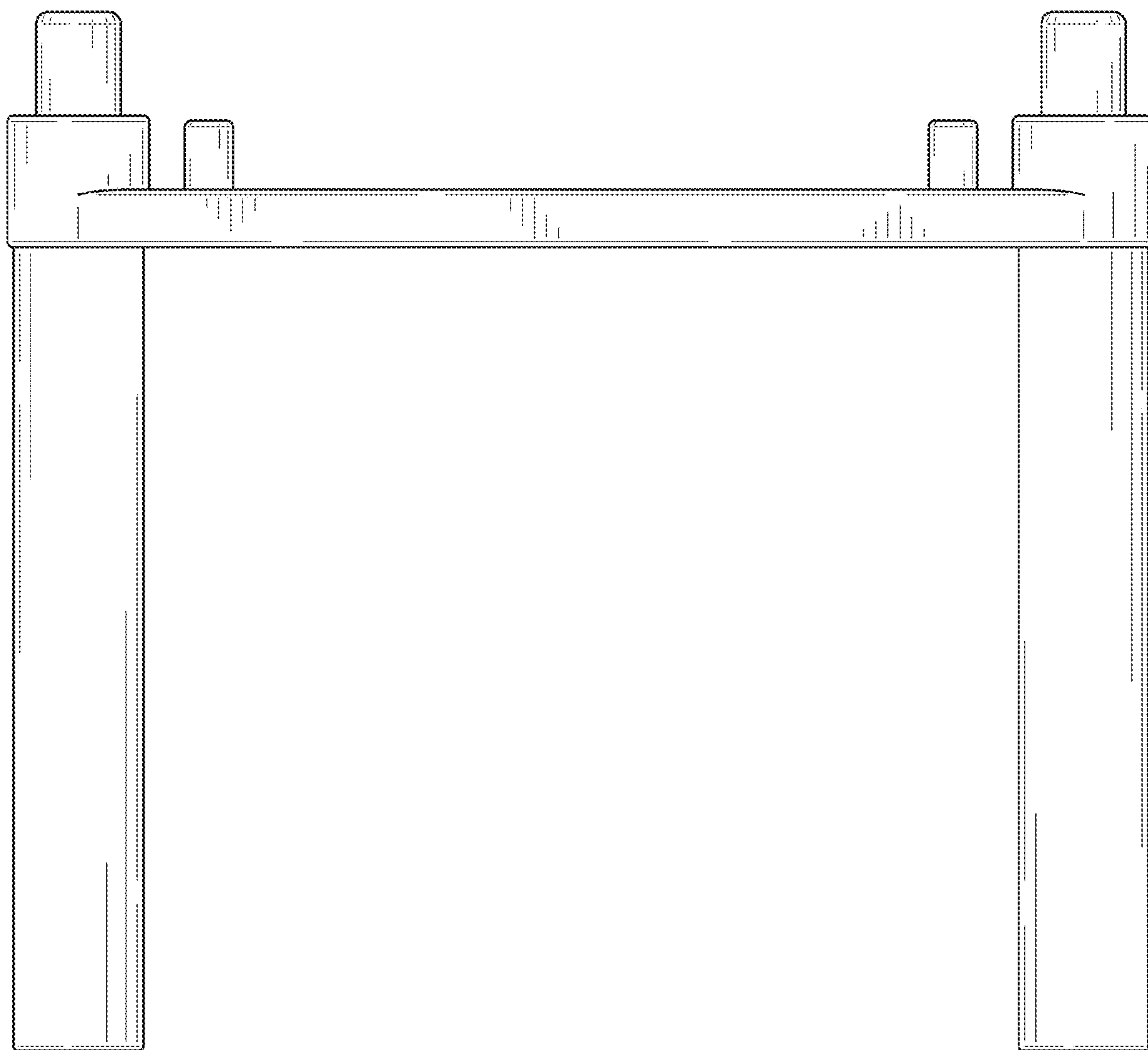


Fig. 24

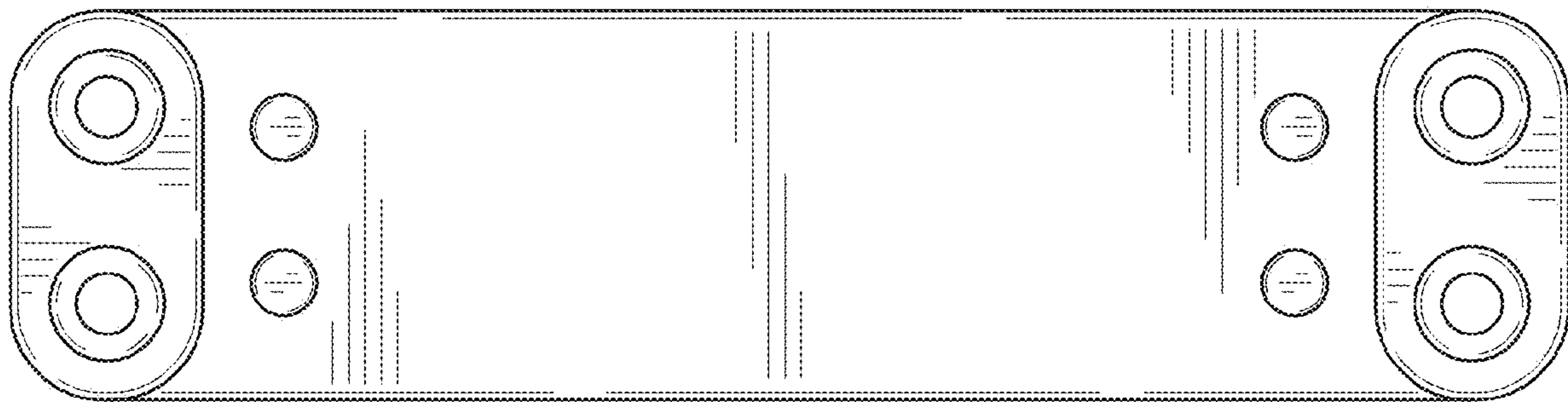


Fig. 25

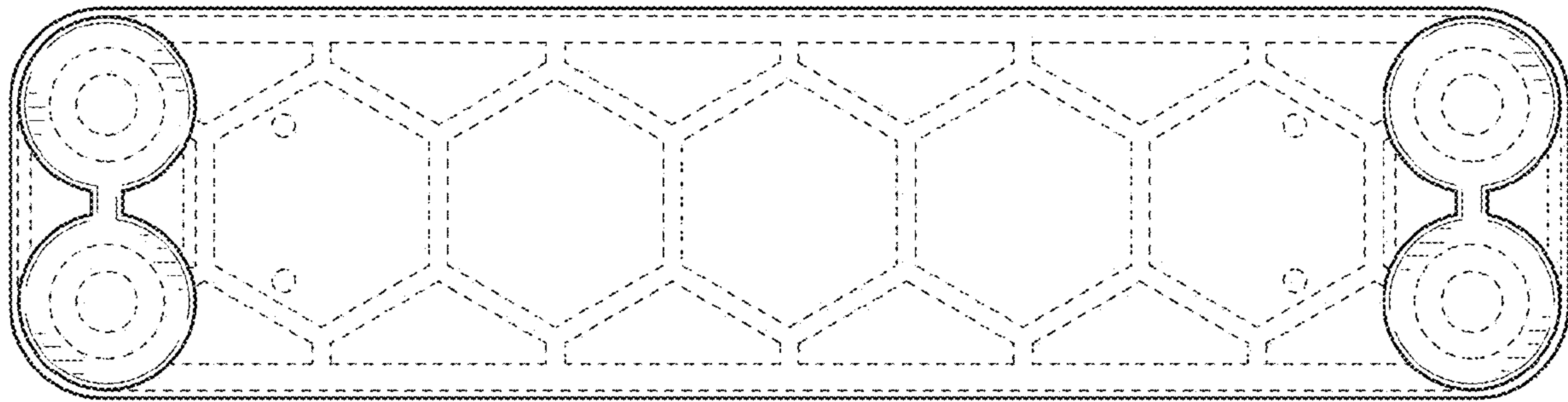


Fig. 26

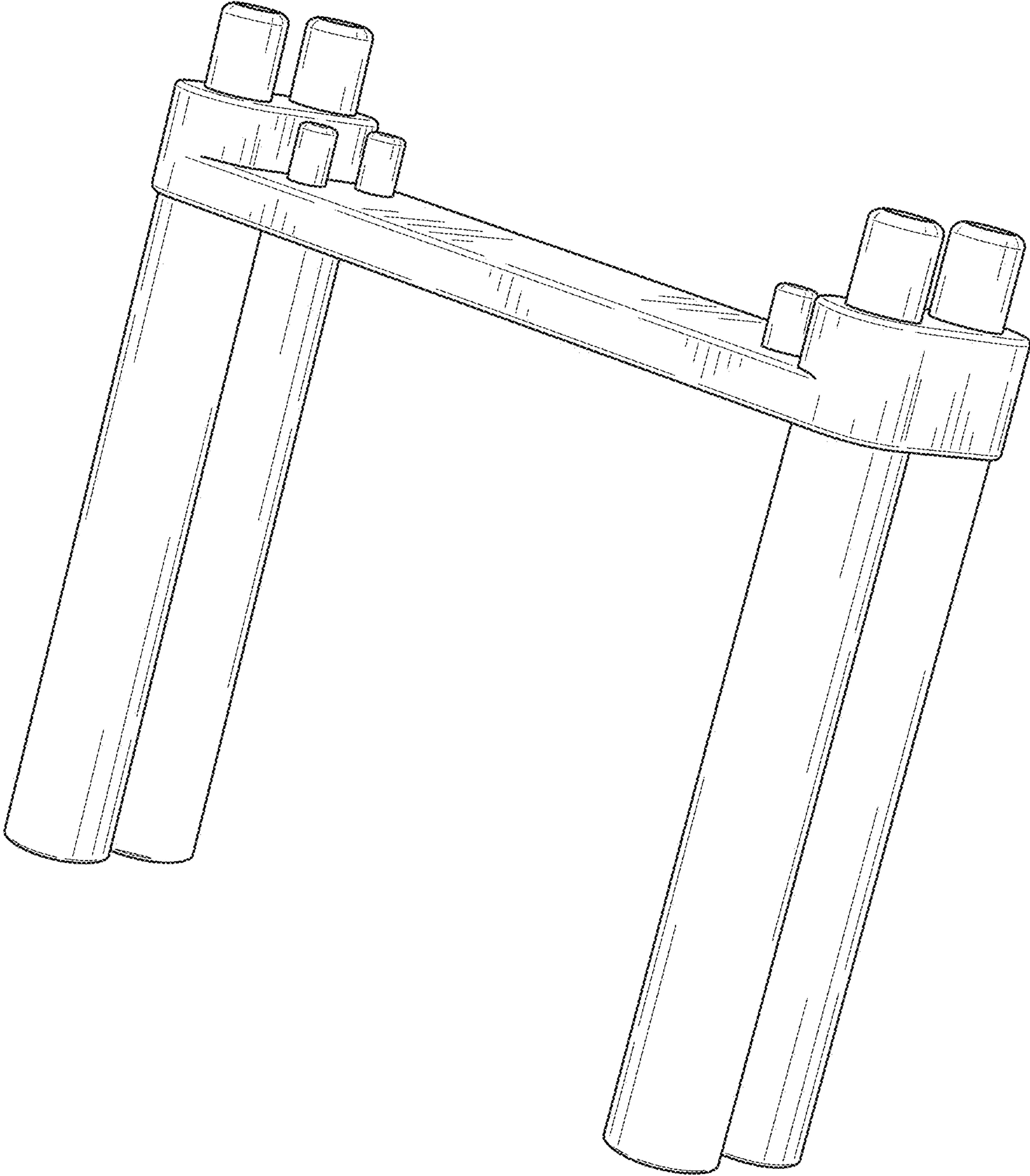


Fig. 27

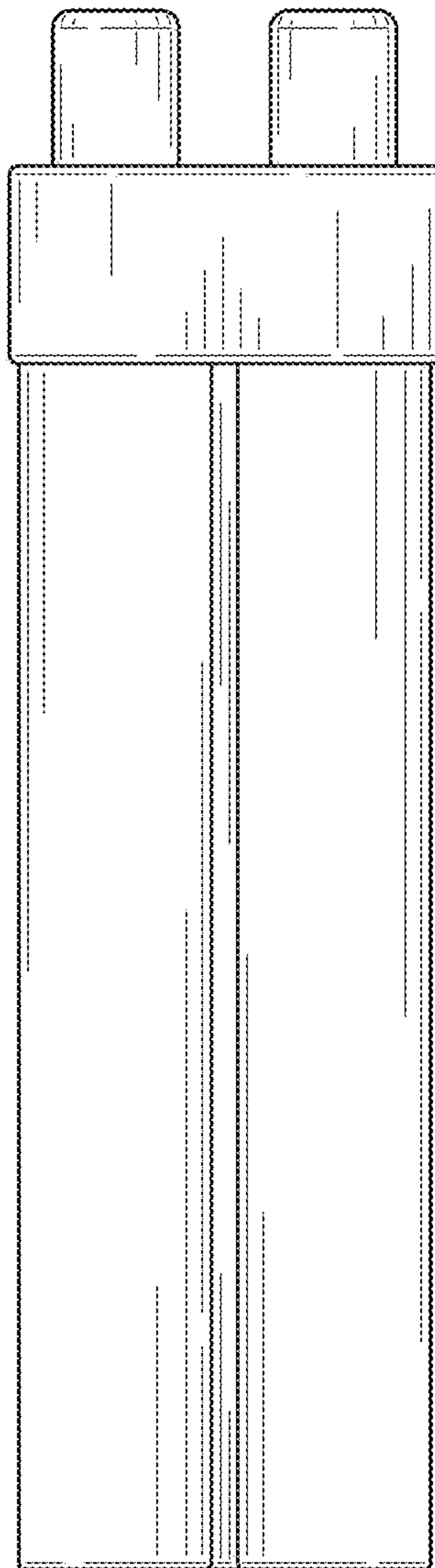


Fig. 28



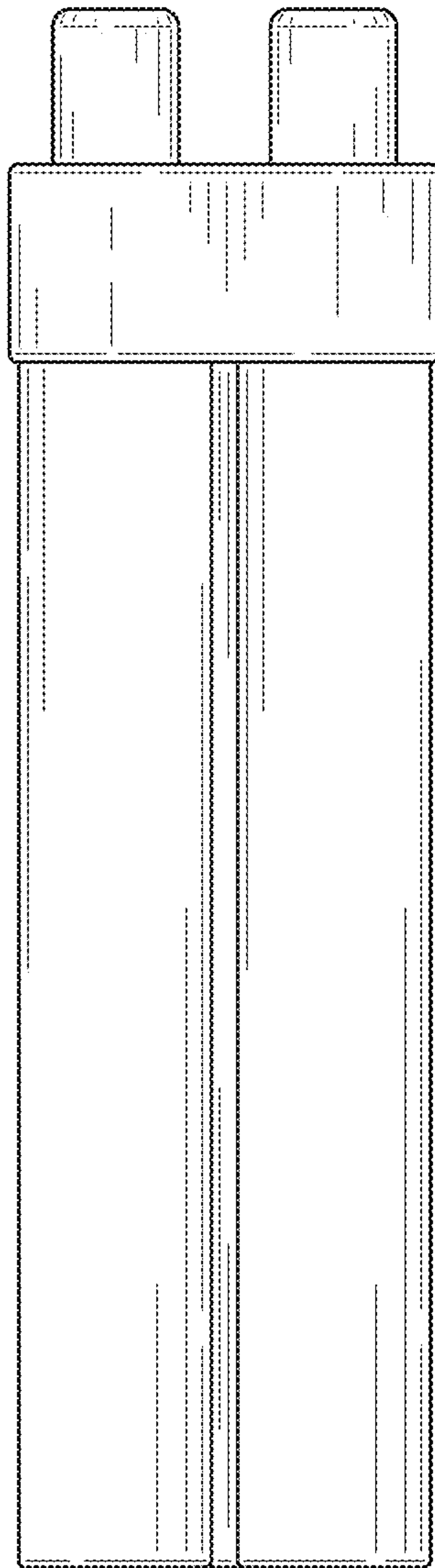


Fig. 29

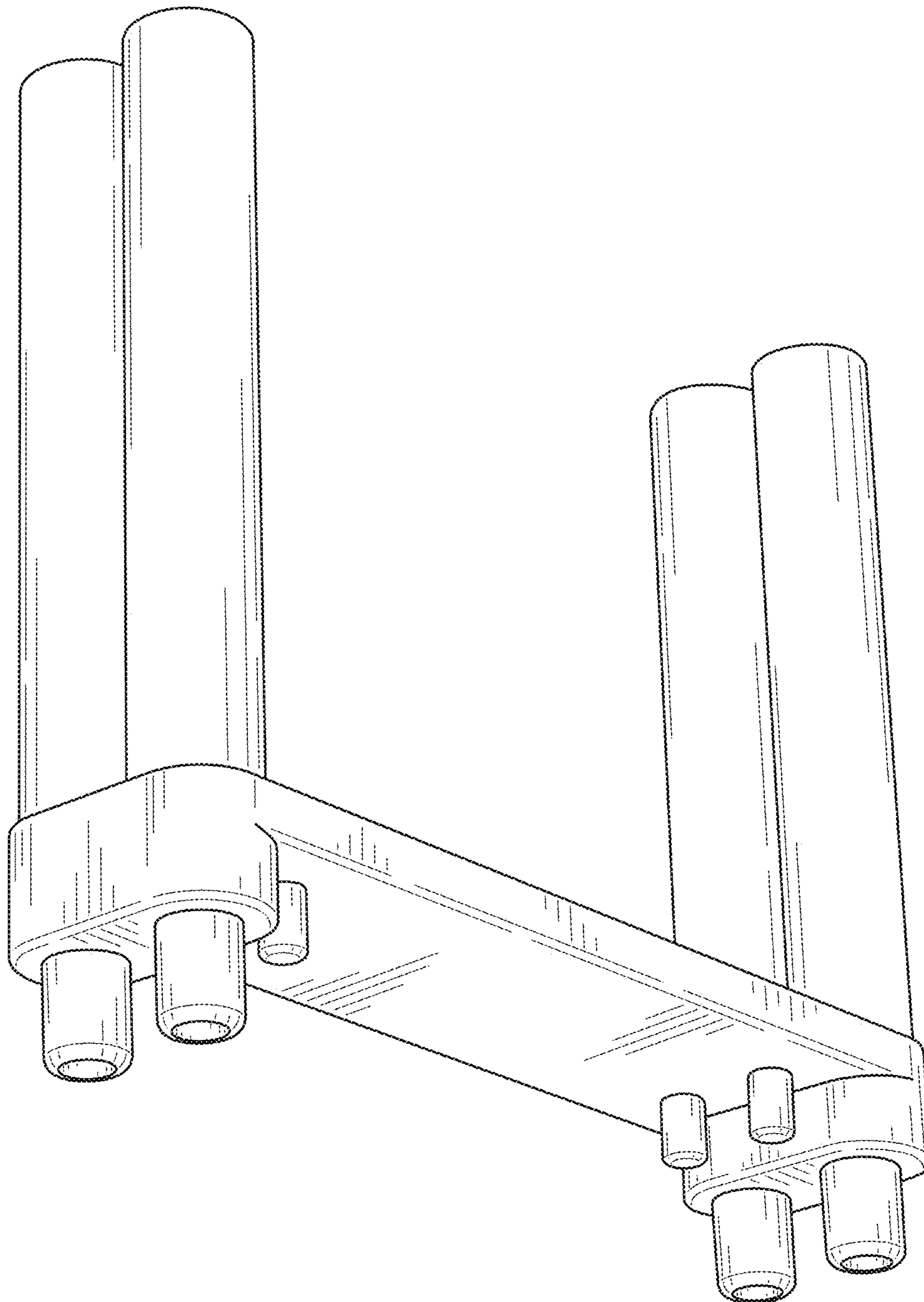


Fig. 30

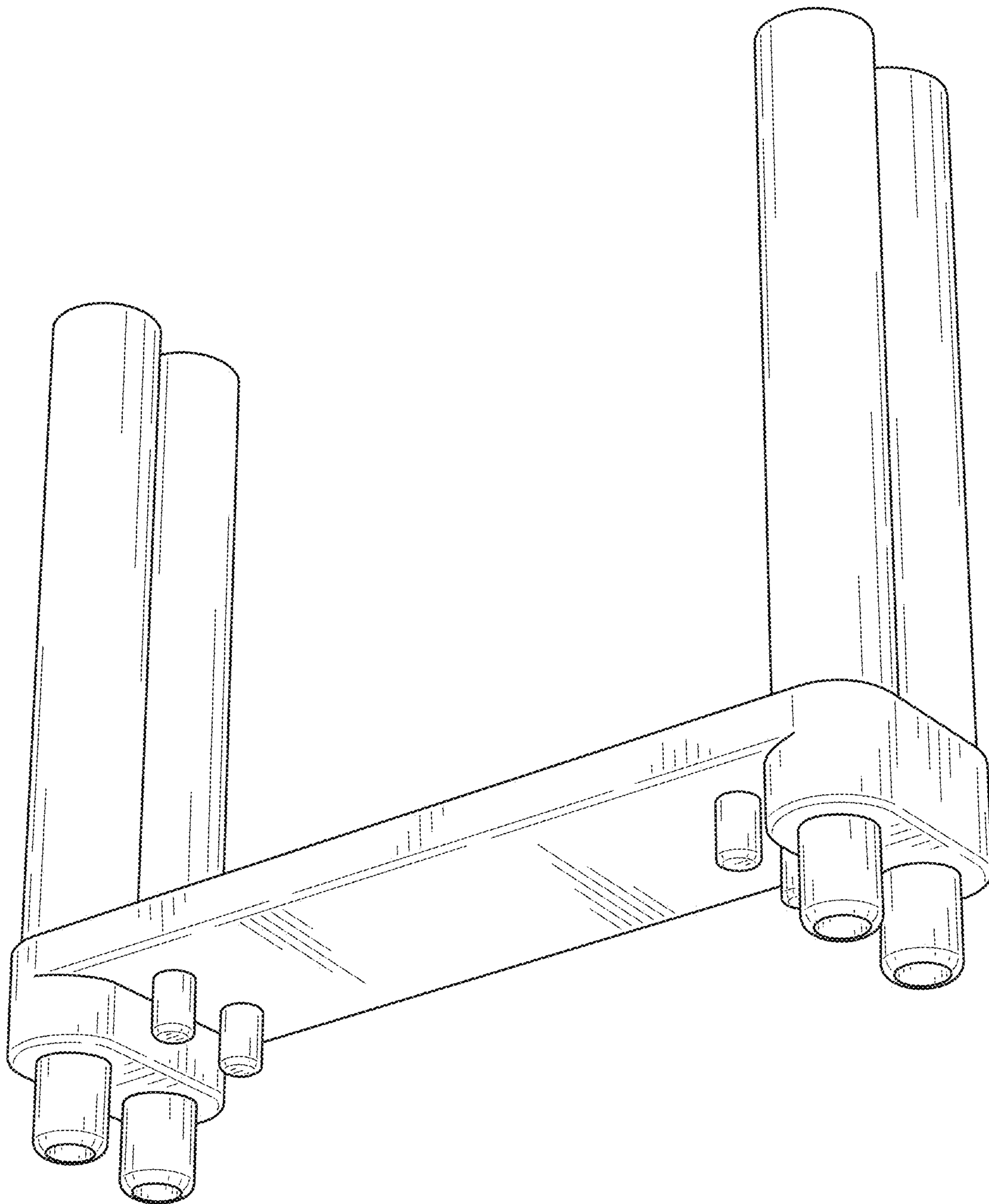


Fig. 31

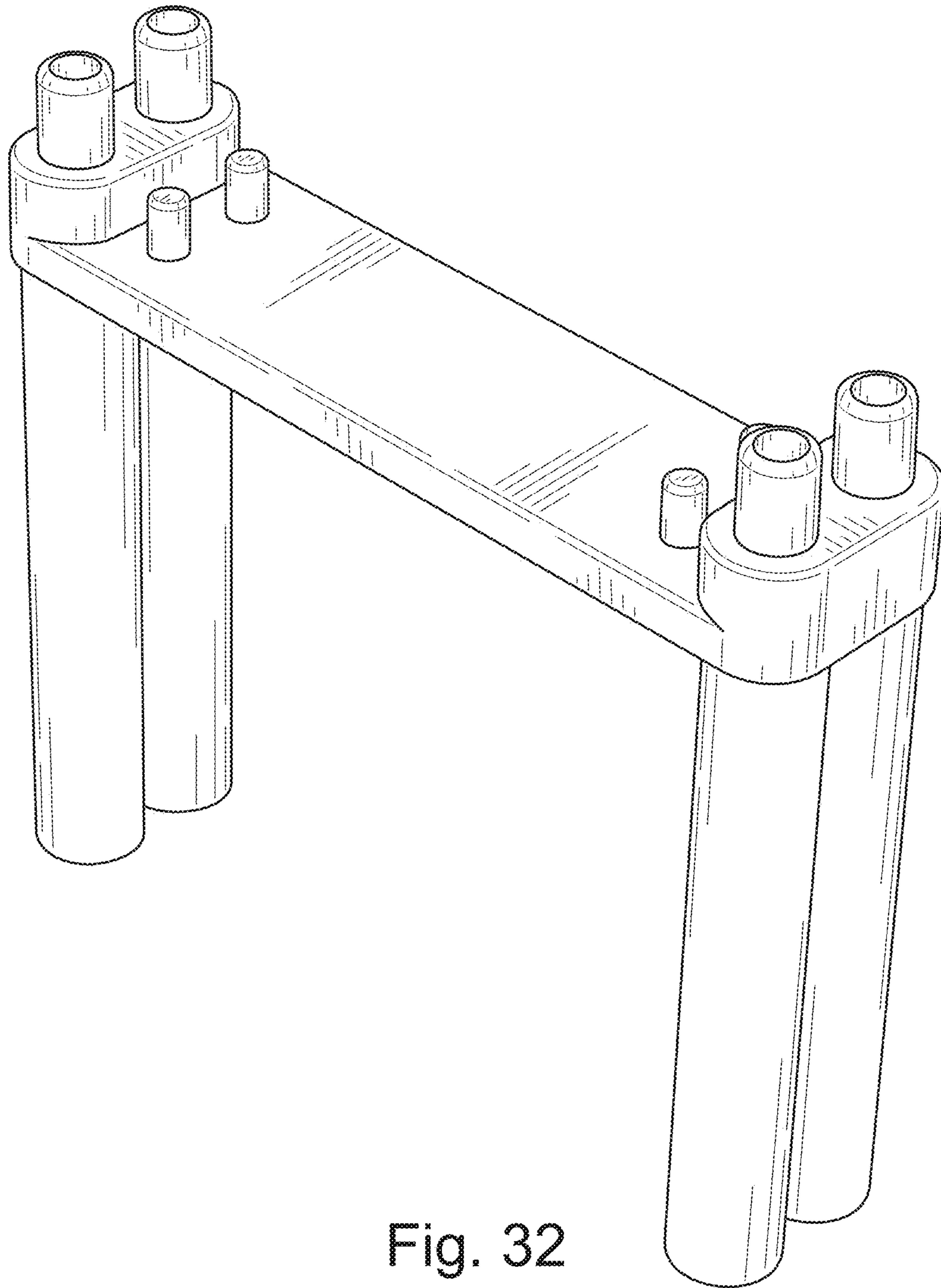


Fig. 32

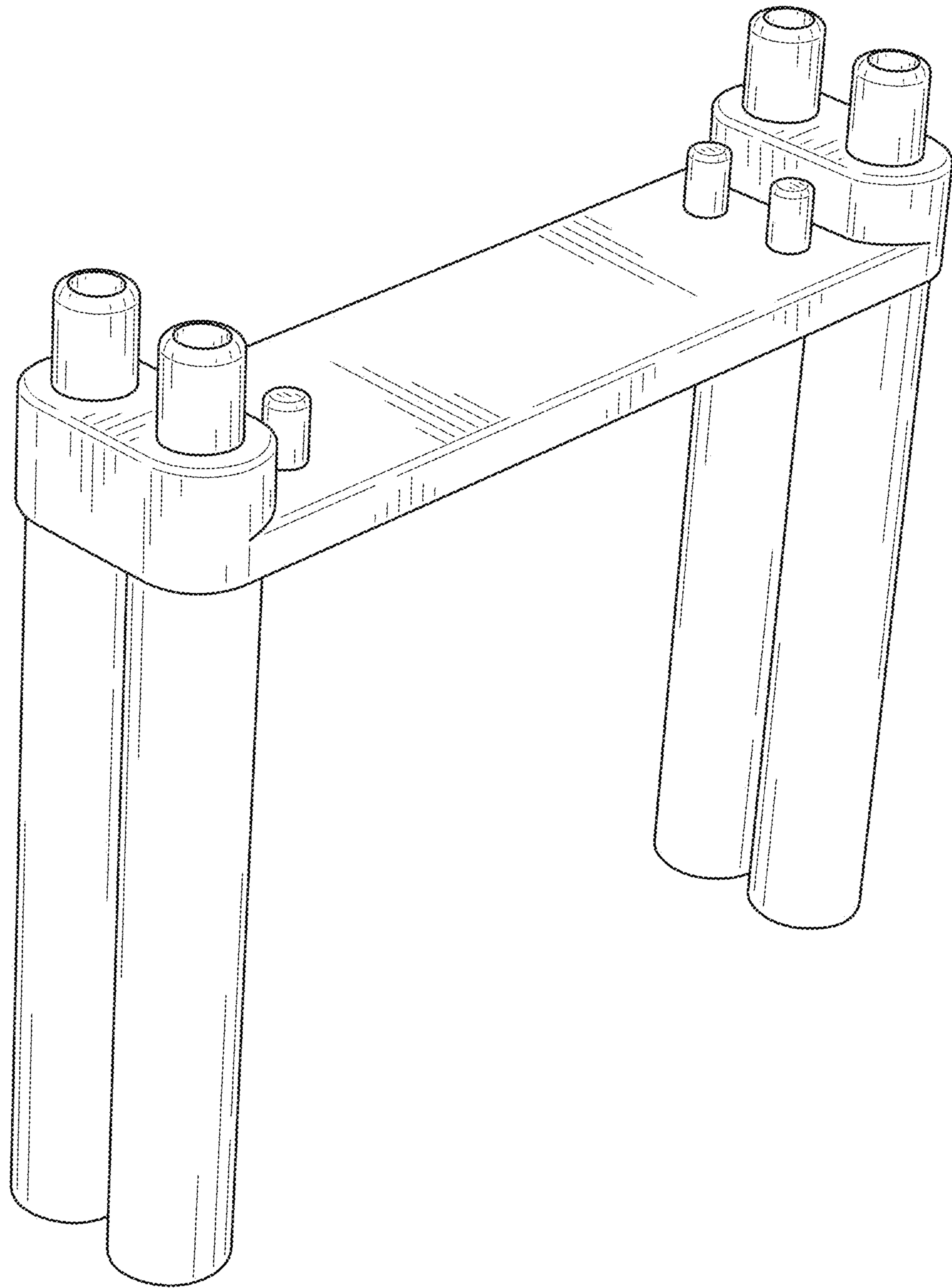


Fig. 33

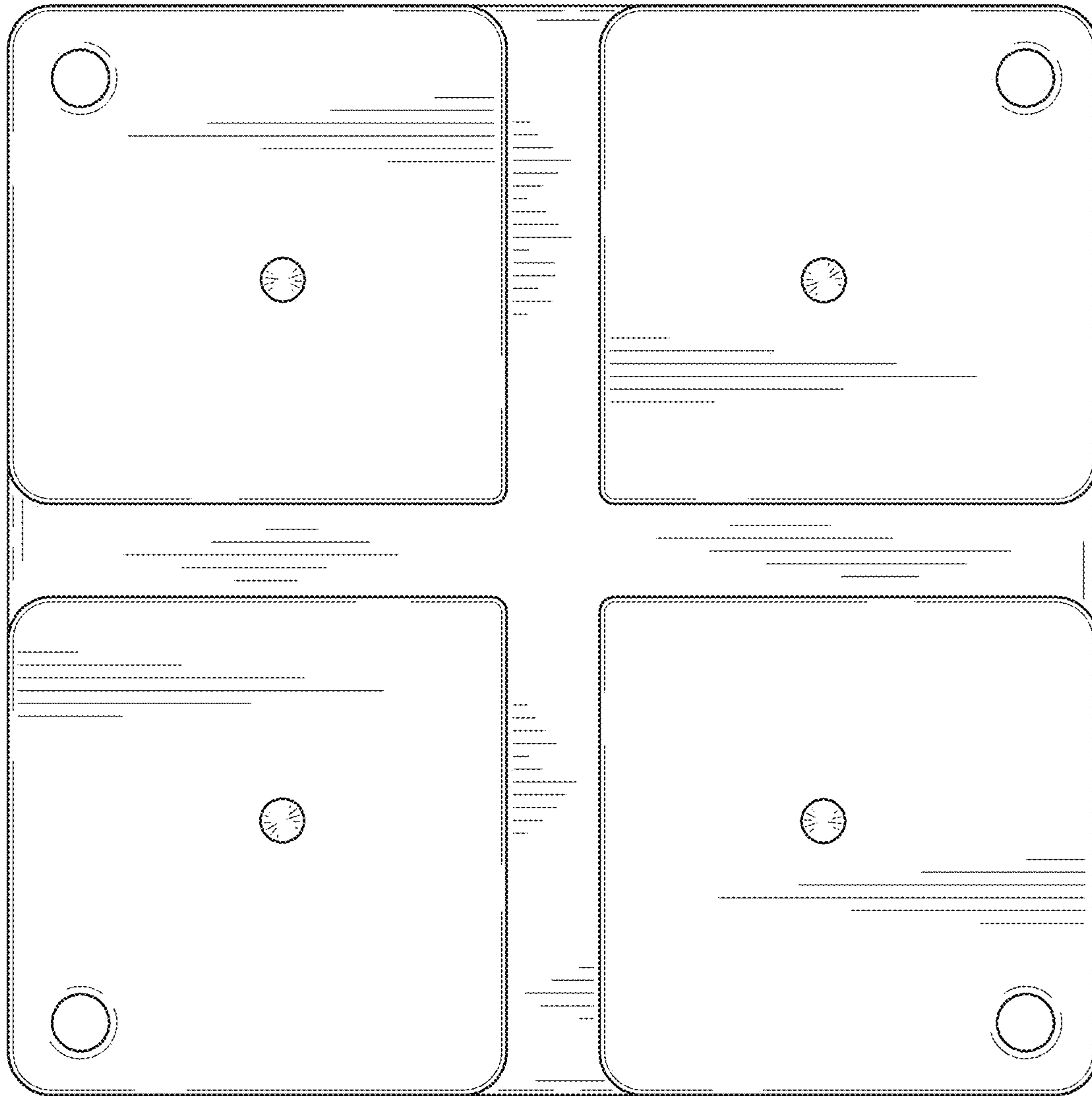


Fig. 34



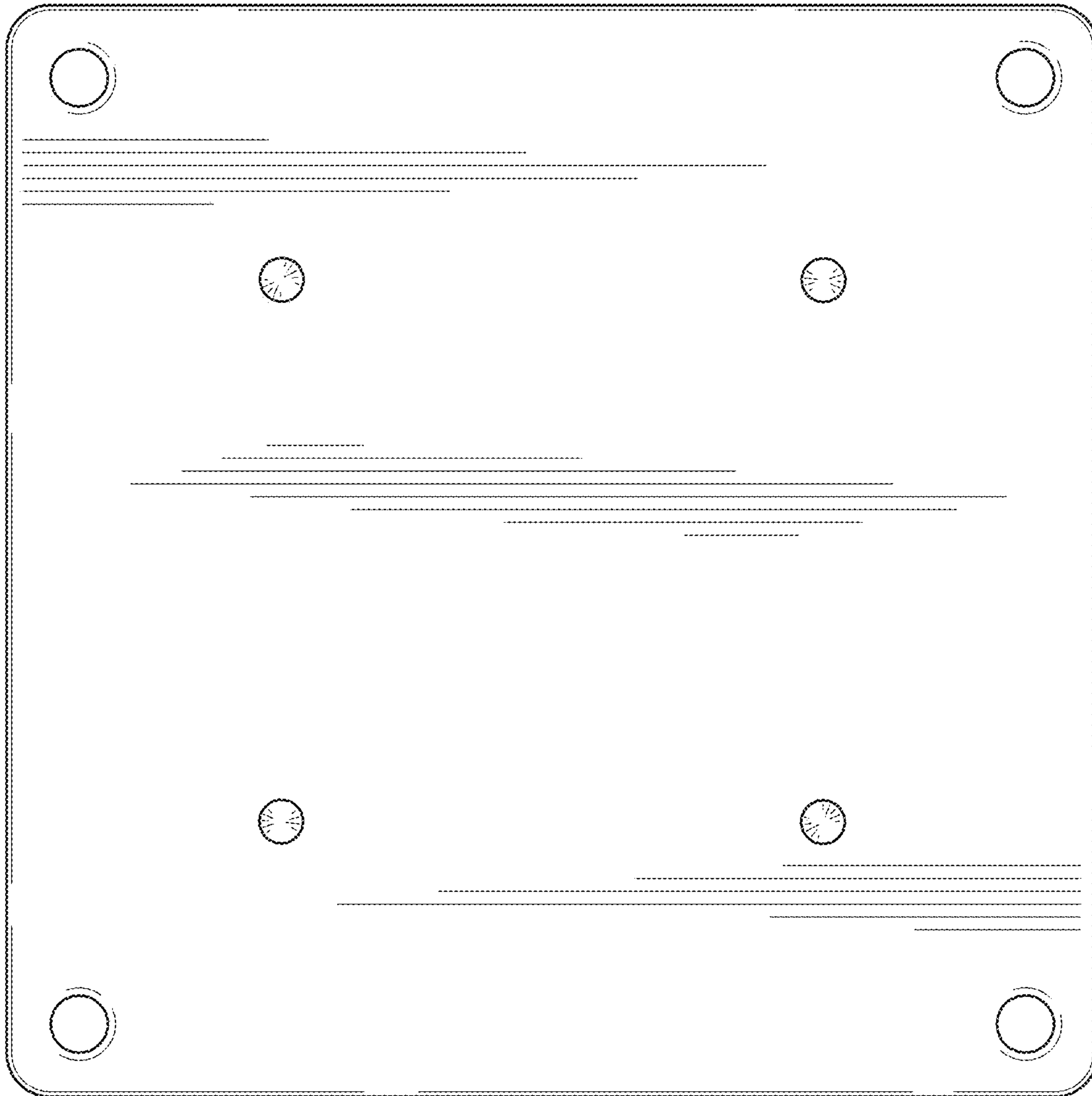


Fig. 35

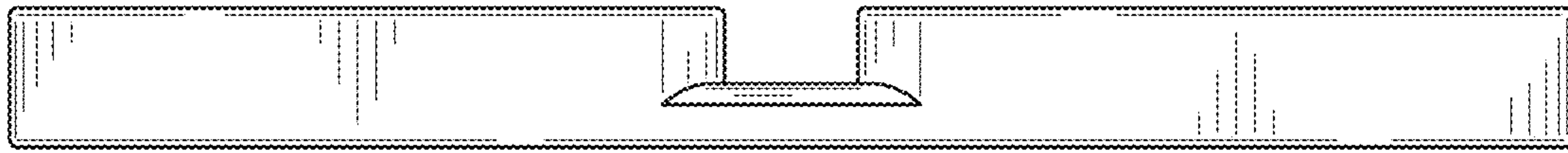


Fig. 36

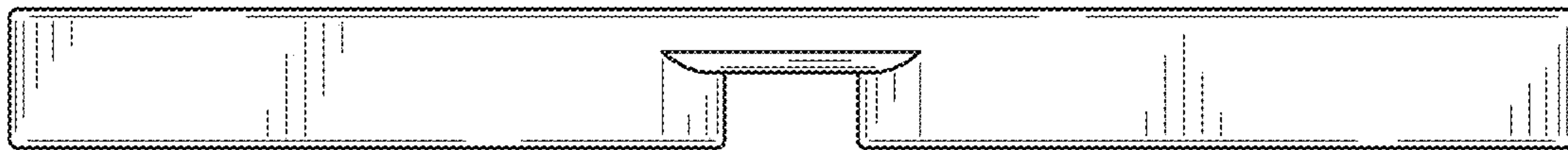


Fig. 37

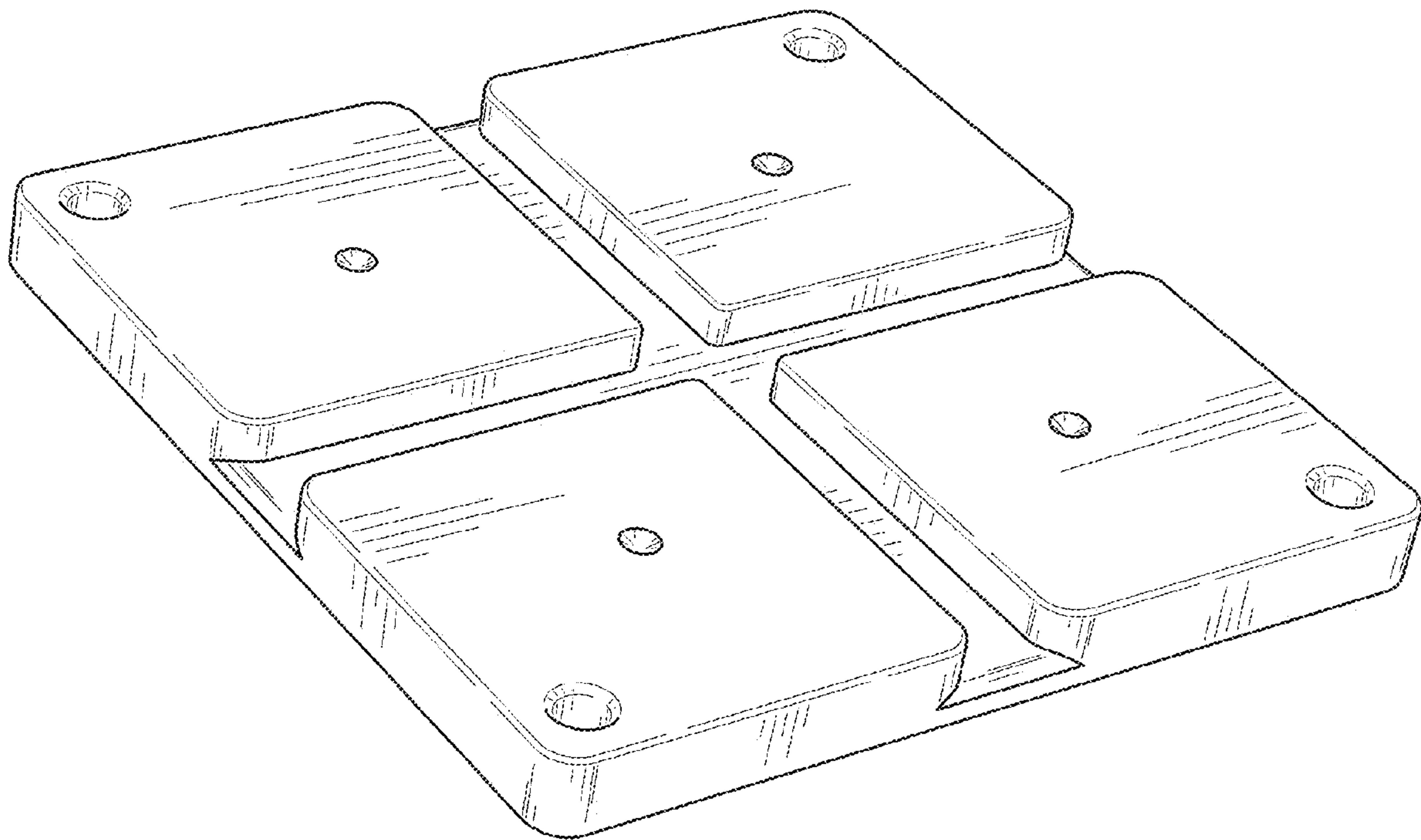


Fig. 38

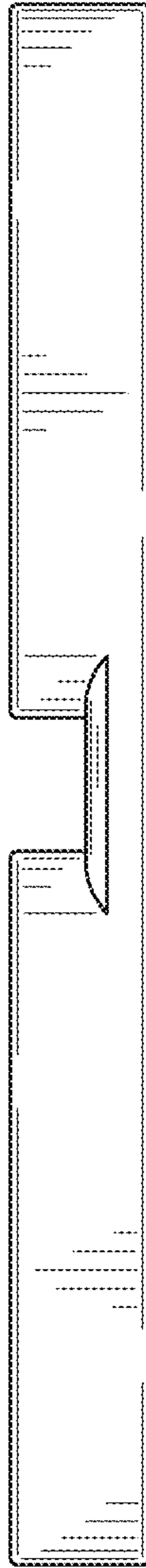


Fig. 39

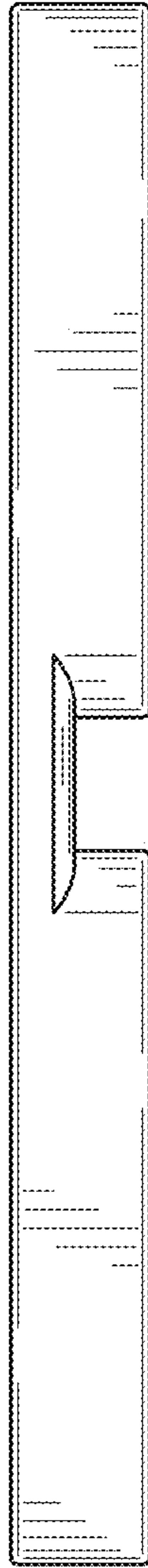


Fig. 40



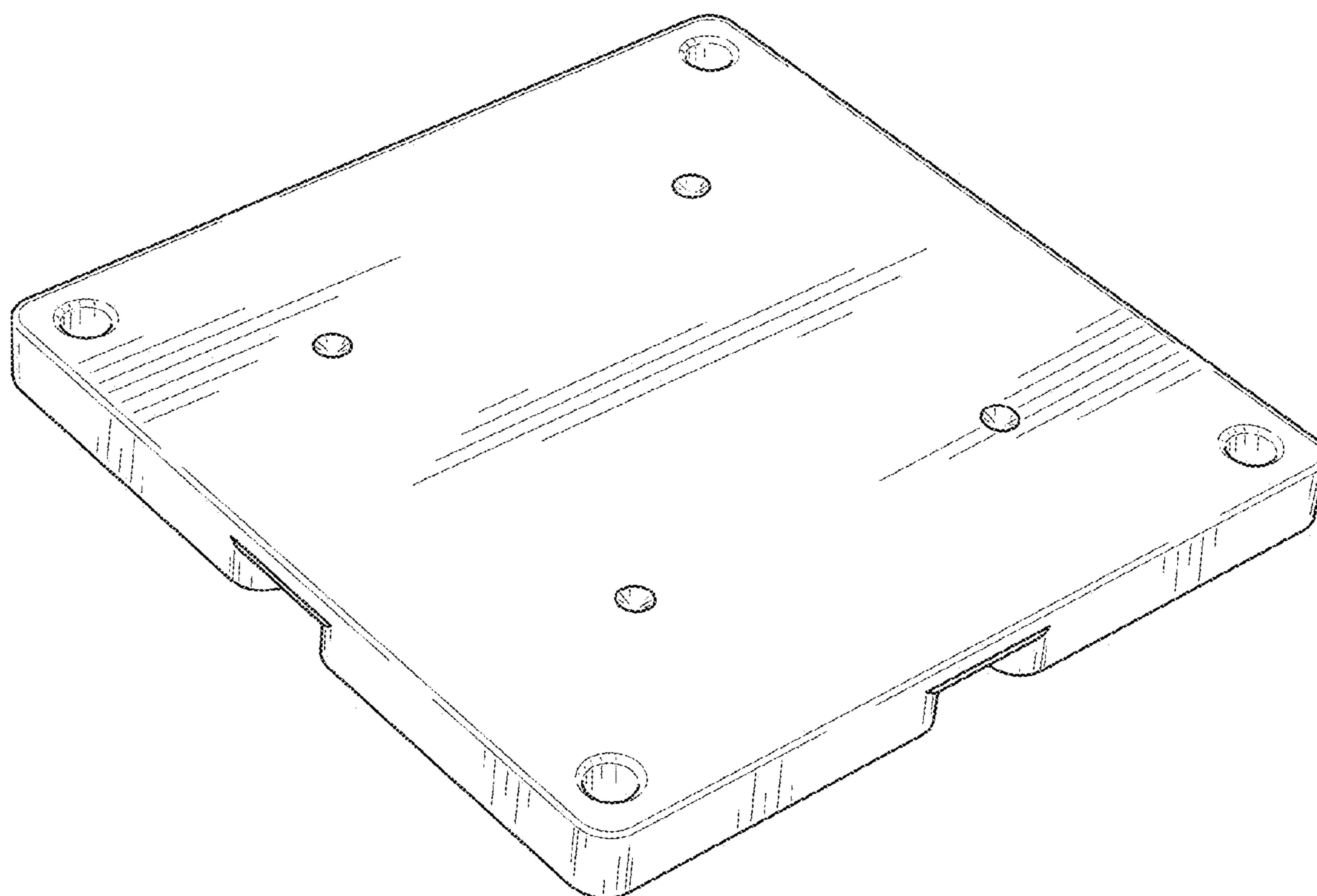


Fig. 41

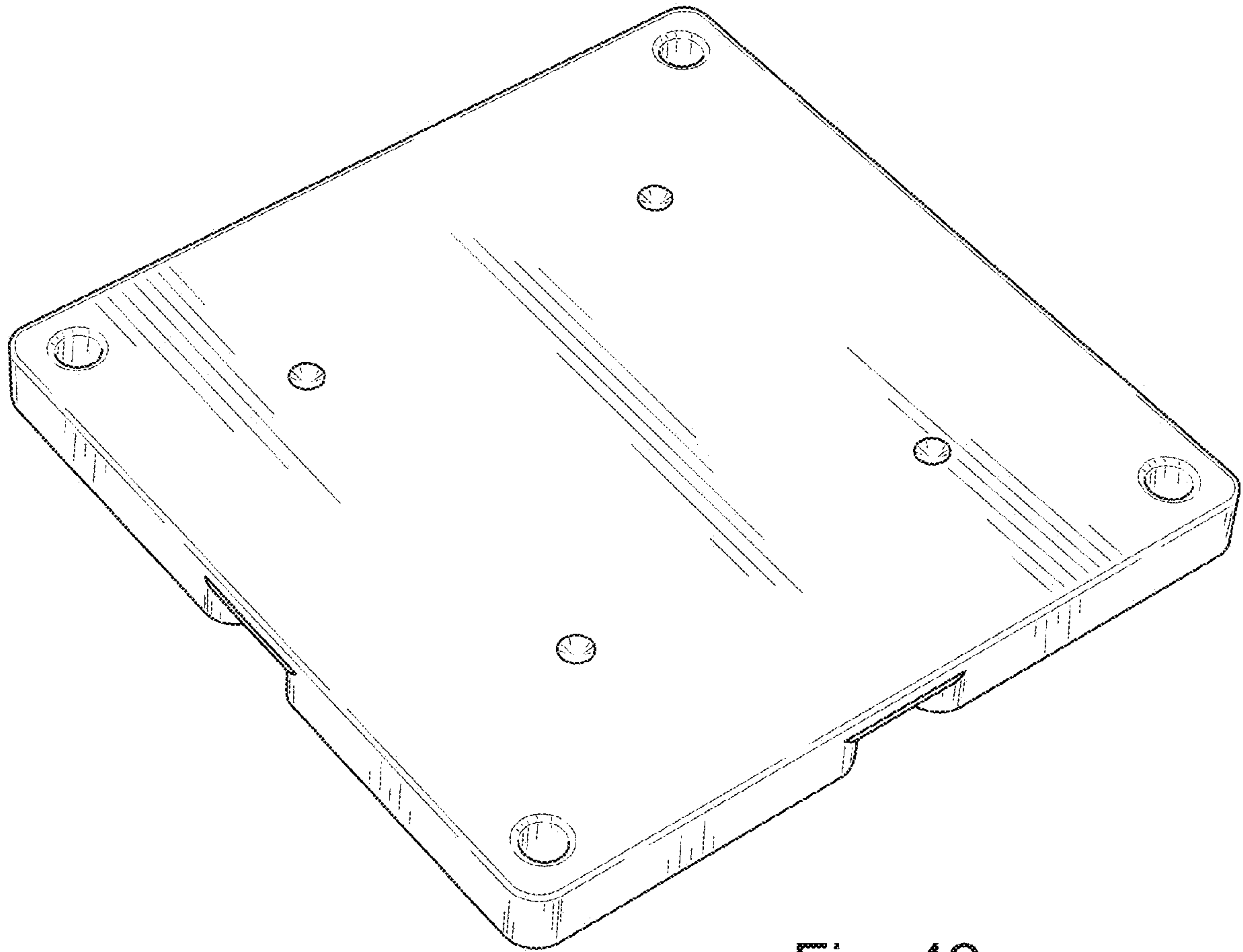


Fig. 42

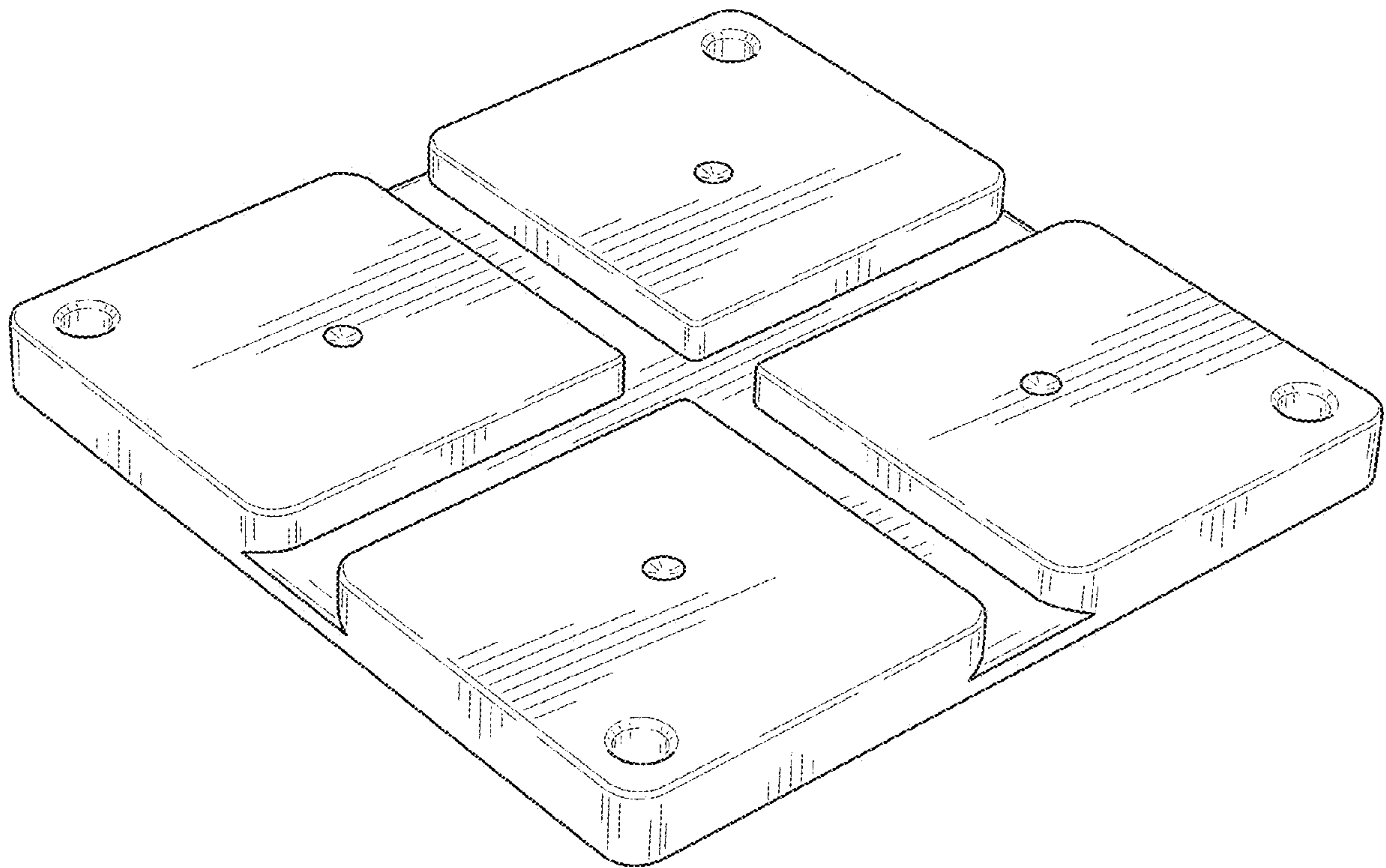


Fig. 43

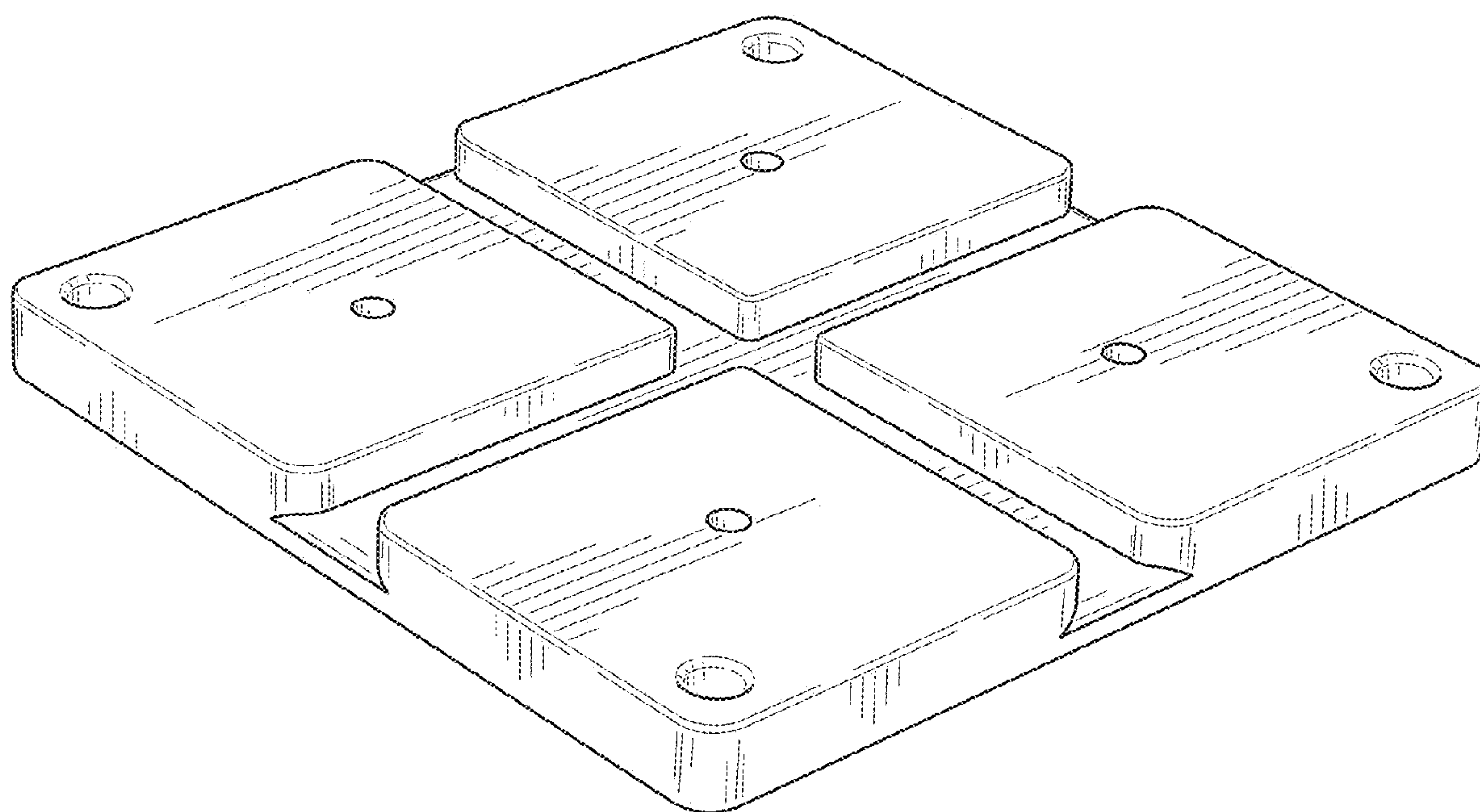


Fig. 44

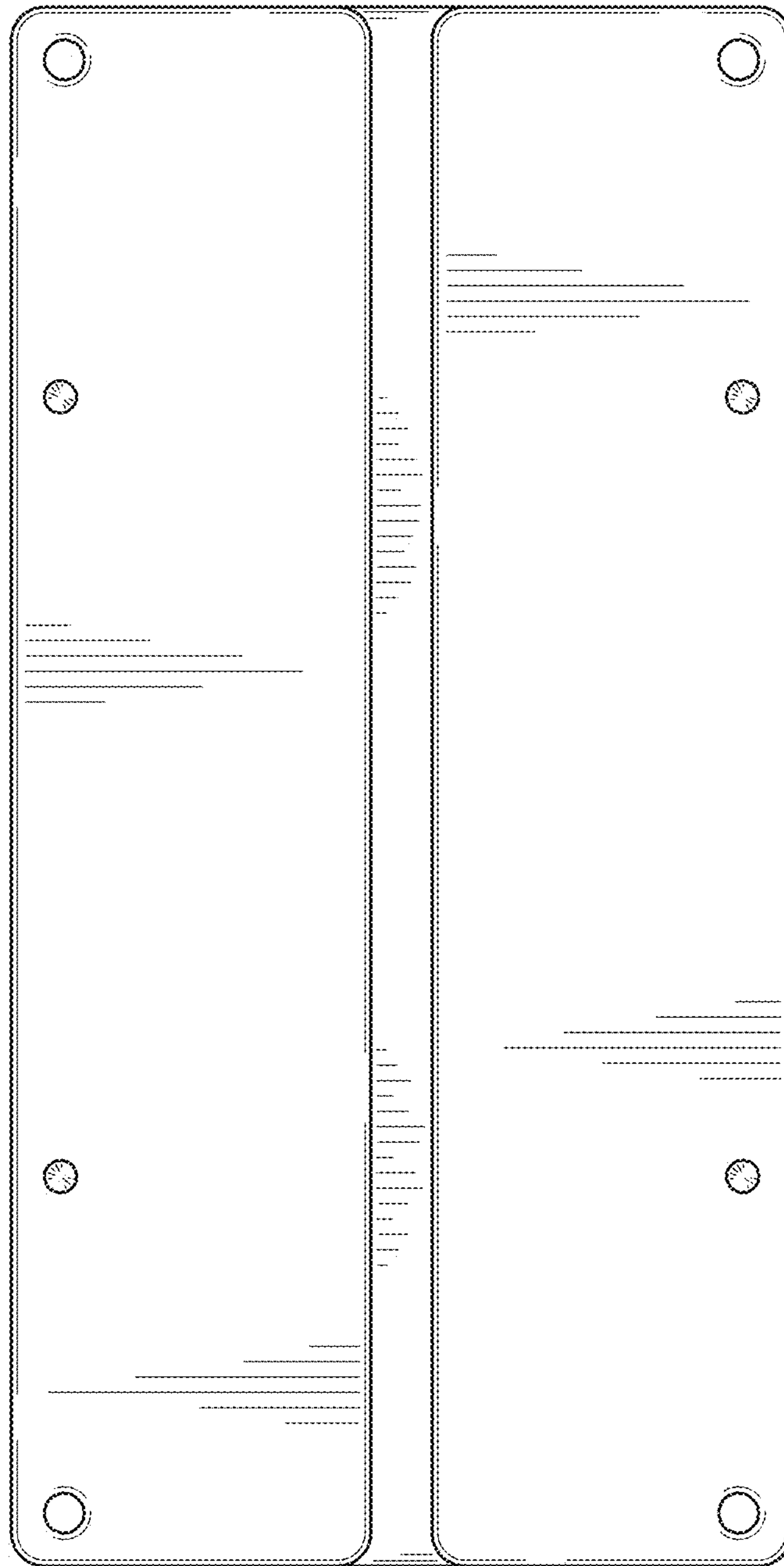


Fig. 45



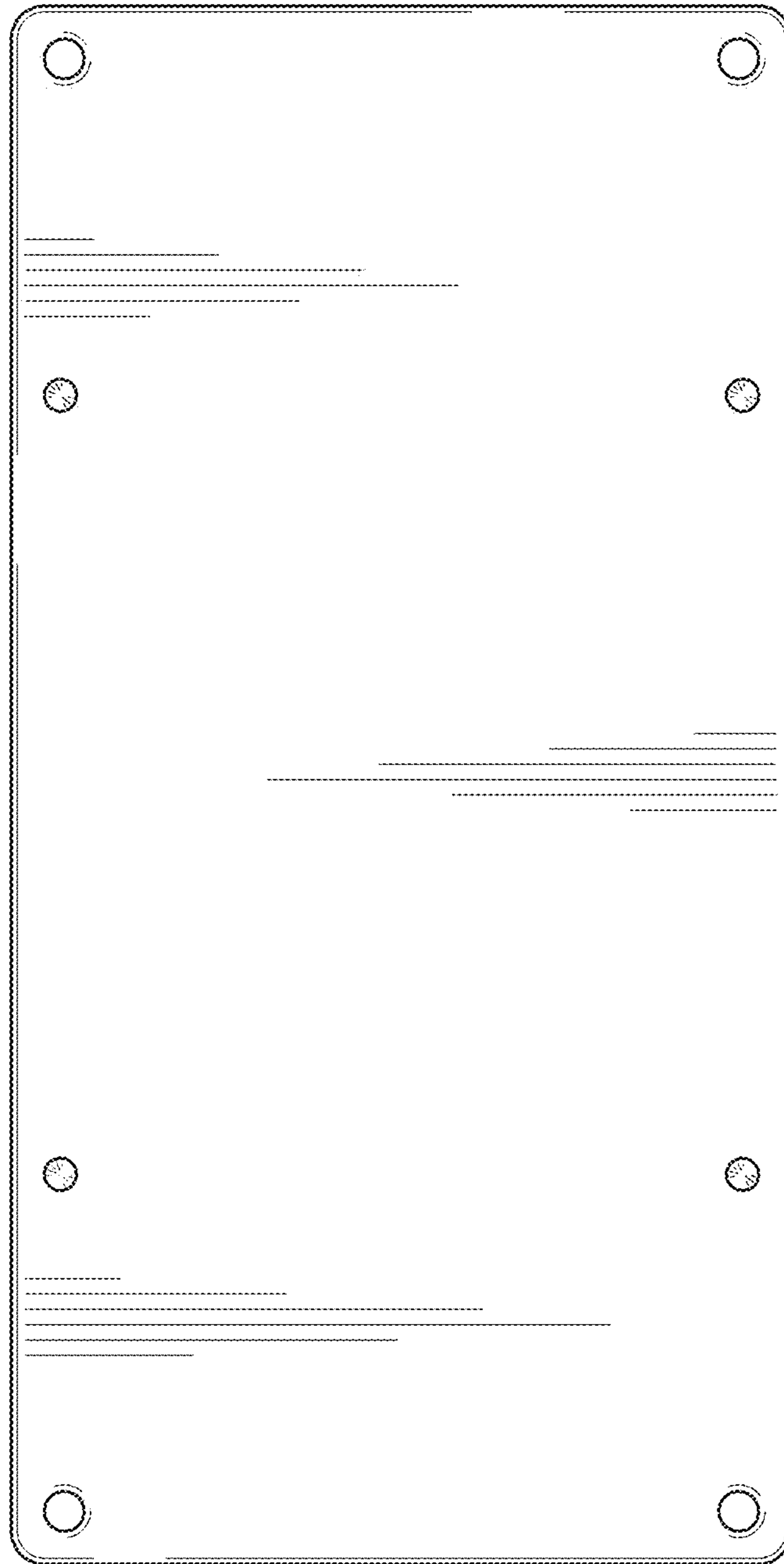


Fig. 46

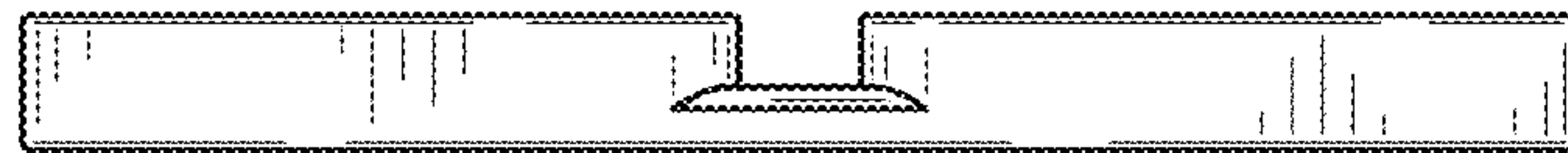


Fig. 47

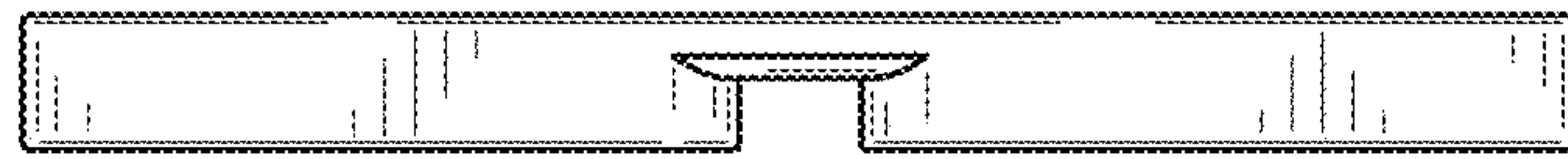


Fig. 48

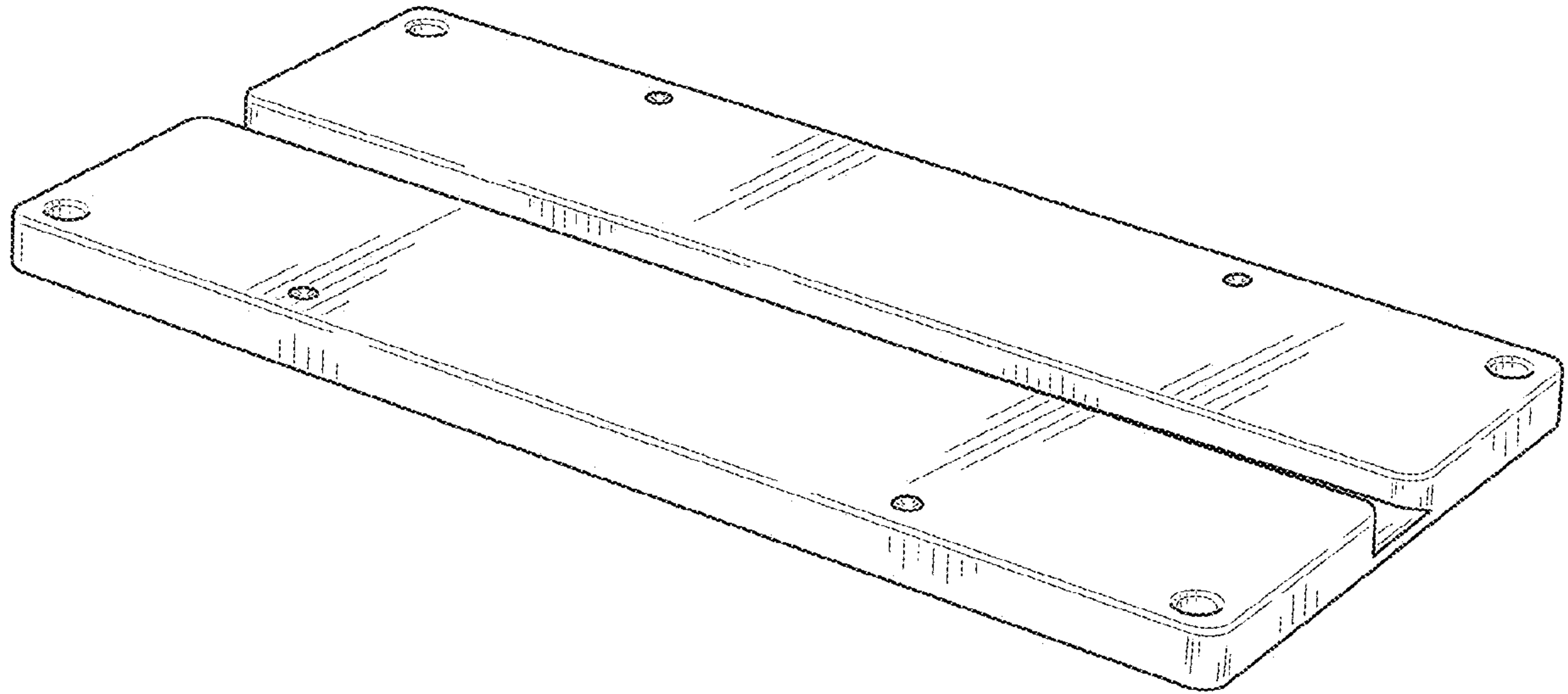


Fig. 49



Fig. 50





Fig. 51

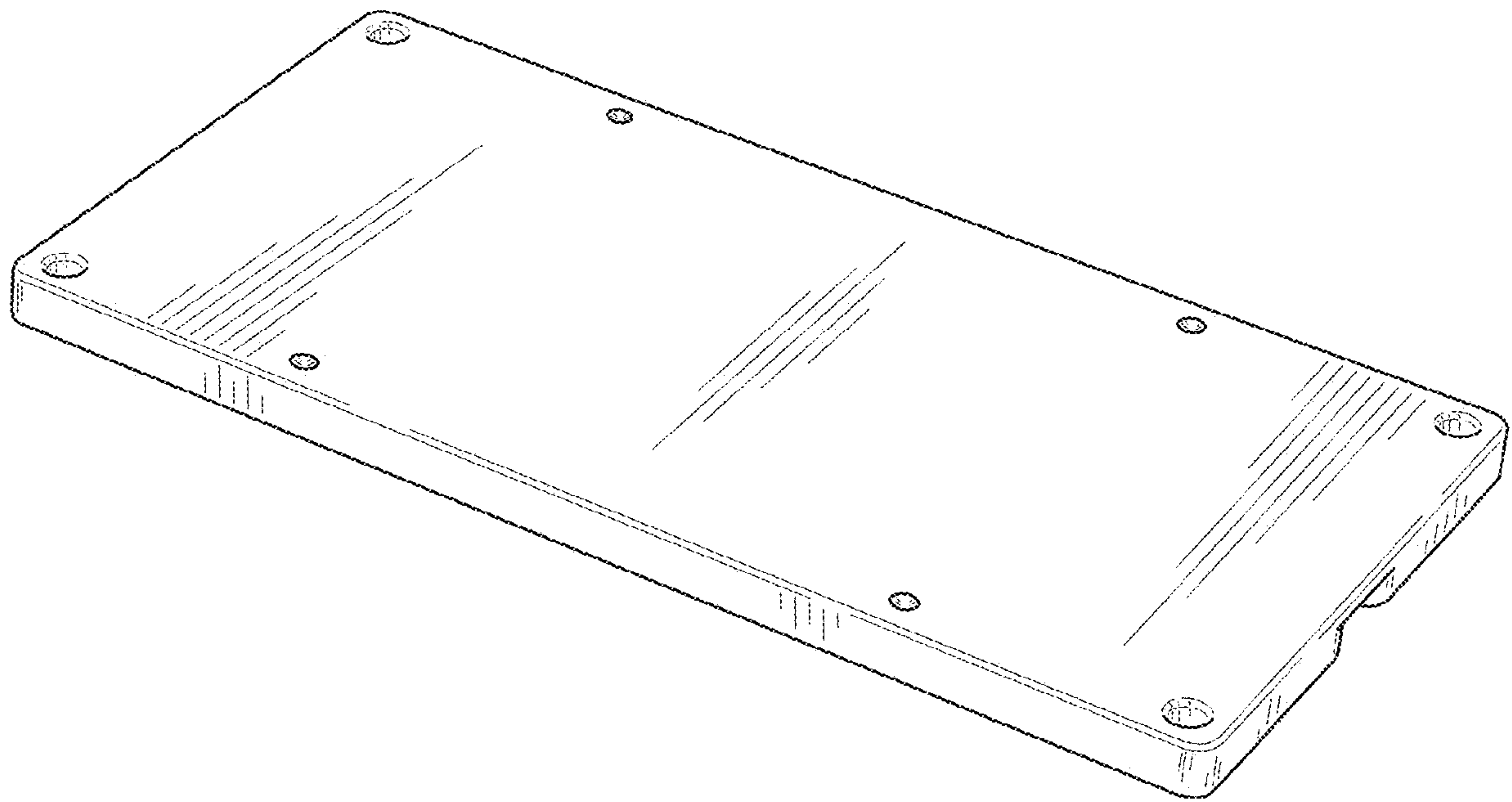


Fig. 52

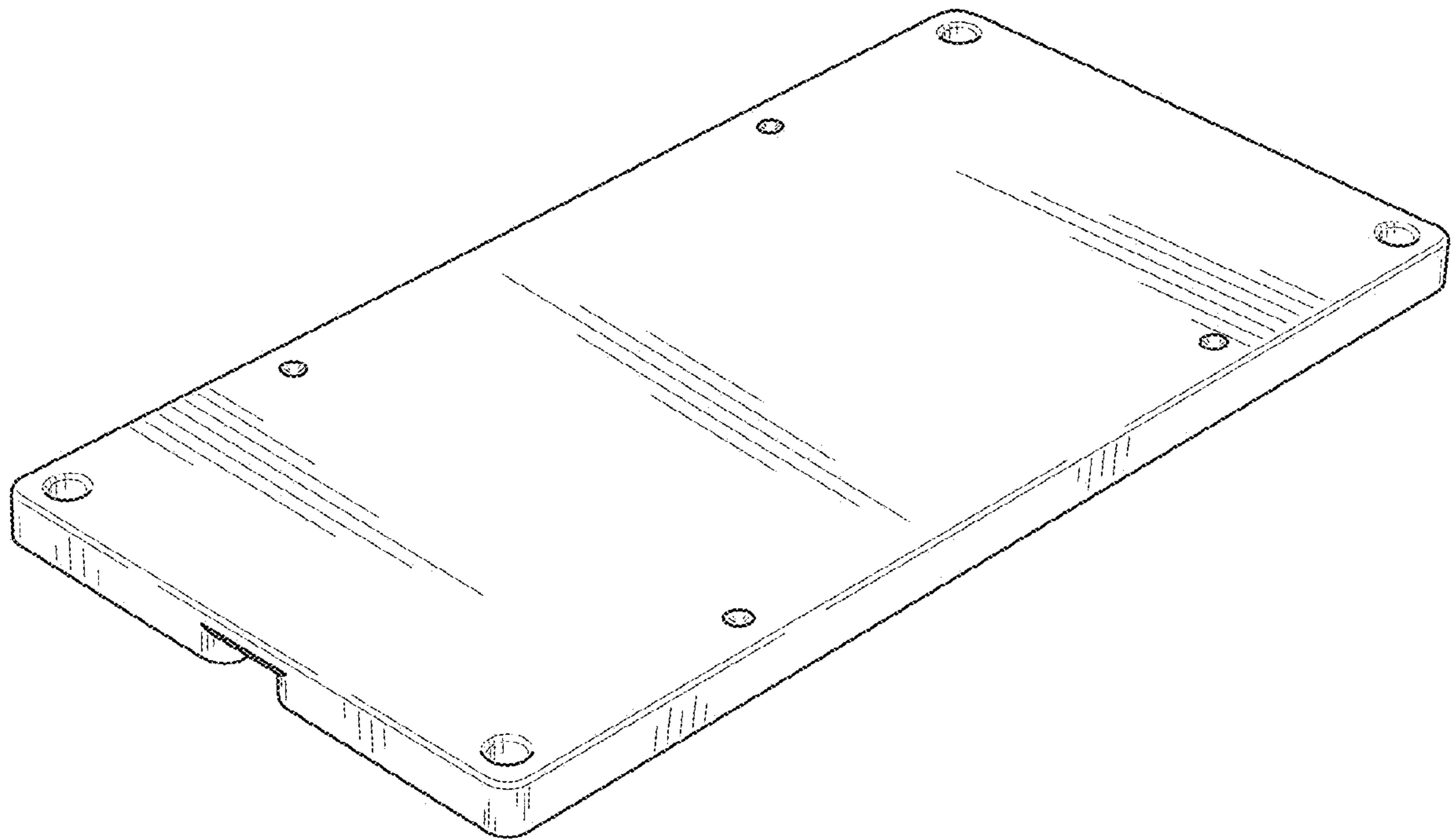


Fig. 53

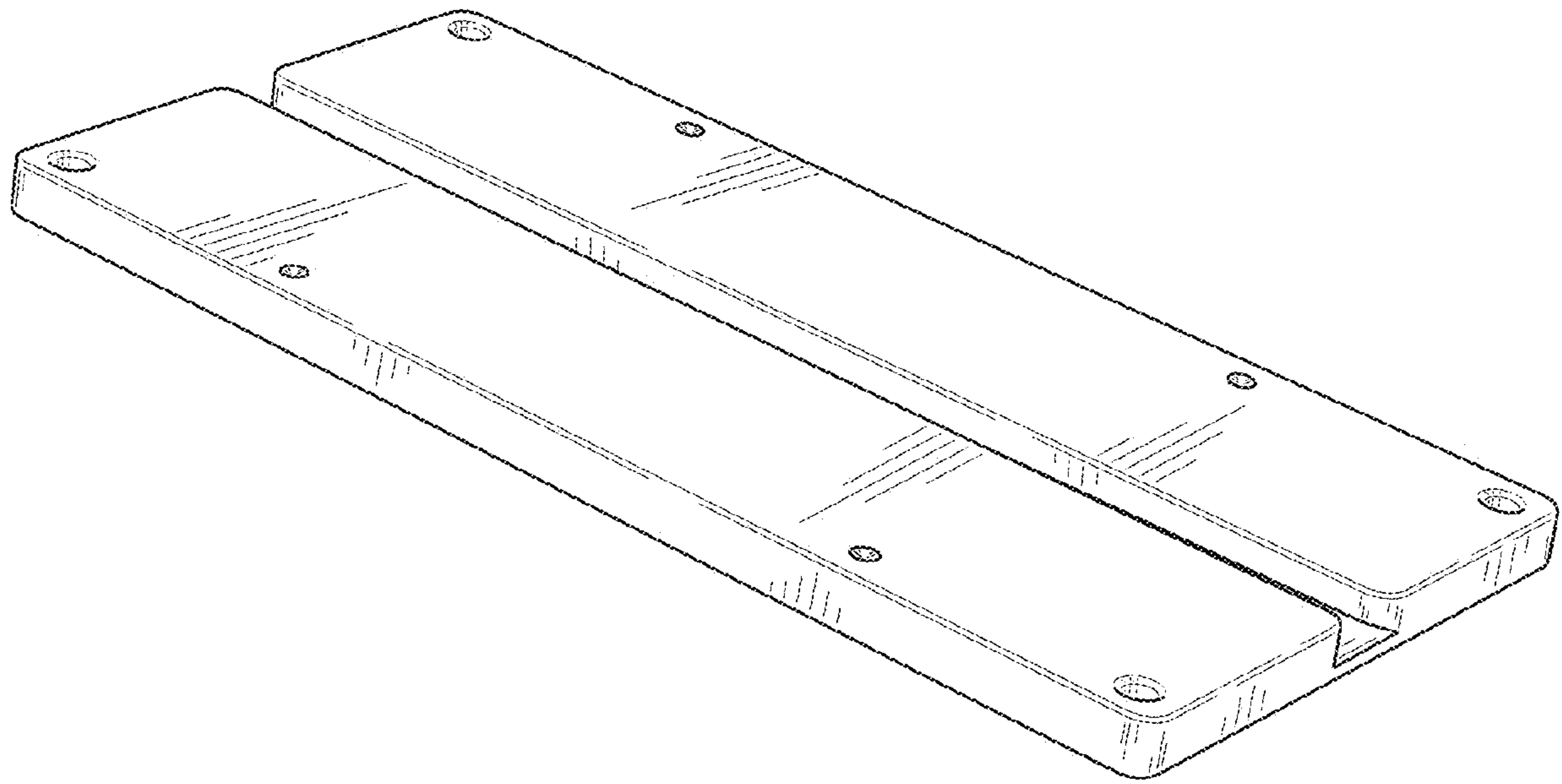


Fig. 54

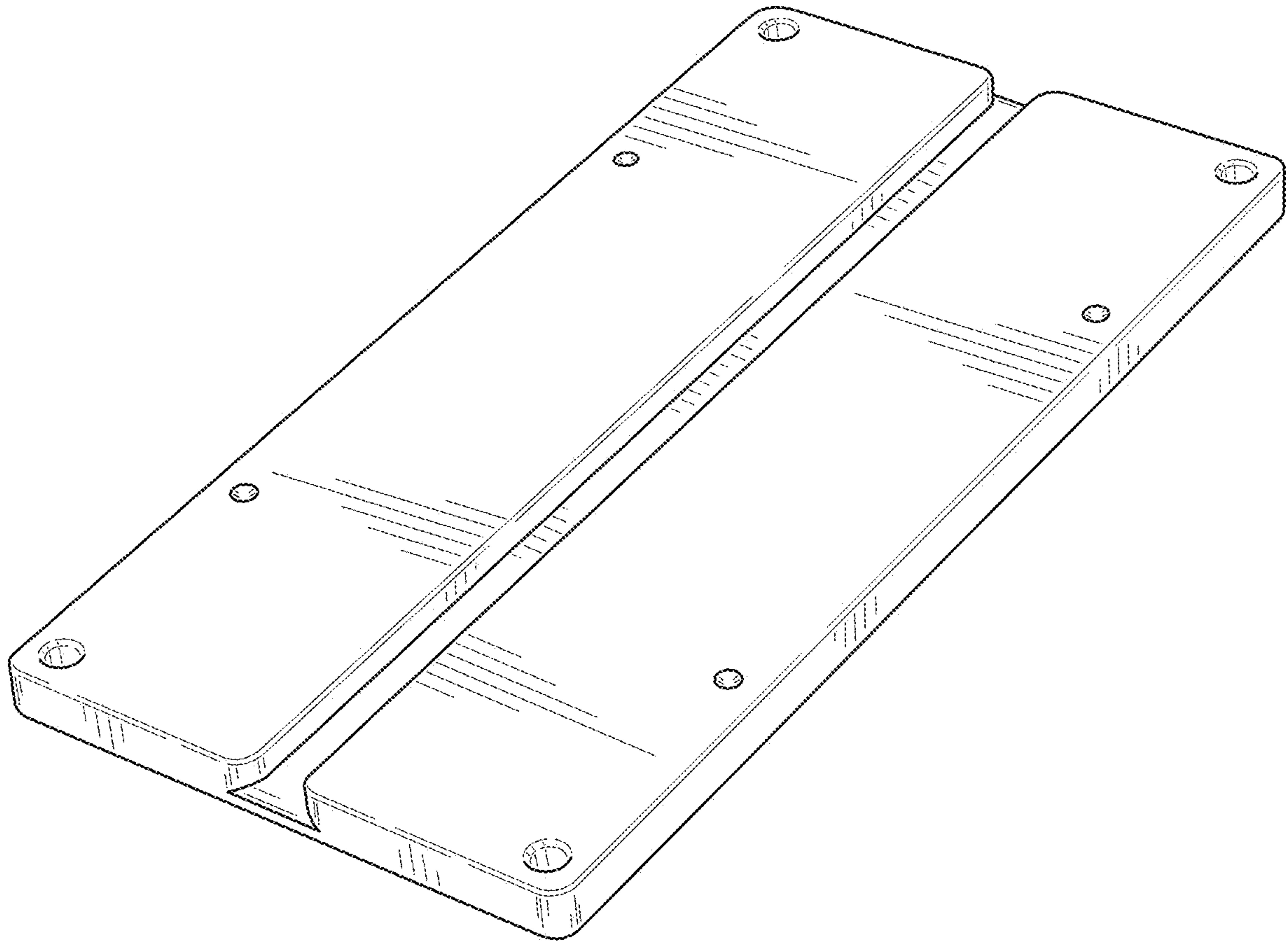


Fig. 55