



US00D917627S

(12) **United States Design Patent** (10) **Patent No.:** **US D917,627 S**
Pesa (45) **Date of Patent:** **** Apr. 27, 2021**

(54) **KART BODY**

D526,598 S 8/2006 Singer et al.
7,198,322 B2 4/2007 Savo
D597,442 S 8/2009 Steinhauser
(Continued)

(71) Applicant: **BRP-ROTAX GMBH & CO. KG,**
Gunskirchen (AT)

(72) Inventor: **Niko Pesa,** Bromont (CA)

FOREIGN PATENT DOCUMENTS

(73) Assignee: **BRP-ROTAX GMBH & CO. KG,**
Gunskirchen (AT)

CN 304321453 10/2017
EM 001648882-0004 1/2010
(Continued)

(**) Term: **15 Years**

OTHER PUBLICATIONS

(21) Appl. No.: **29/753,603**

Rotax Max Challenge Grand Finals-2015 Portugal; BRP-Rotax GmbH & Co KG; (undated); screenstots retrieved from <https://www.rotax-kart.com/fr/Community/Downloads/Pictures/Rotax-MAX-Challenge-Grand-Finals/2015-Portugal> on Jun. 5, 2020.

(22) Filed: **Oct. 1, 2020**

(Continued)

Related U.S. Application Data

(62) Division of application No. 29/694,796, filed on Jun. 13, 2019, now Pat. No. Des. 903,775.

(51) **LOC (13) Cl.** **21-01**

Primary Examiner — Cynthia M. Chin

(52) **U.S. Cl.**

(74) *Attorney, Agent, or Firm* — BCF LLP

USPC **D21/426**

(57) **CLAIM**

(58) **Field of Classification Search**

USPC D21/419-435; D12/1, 107, 112, 87, 88
CPC B62D 21/183; B60G 2300/26; B60Y
2200/114
See application file for complete search history.

The ornamental design for a kart body, as shown and described.

DESCRIPTION

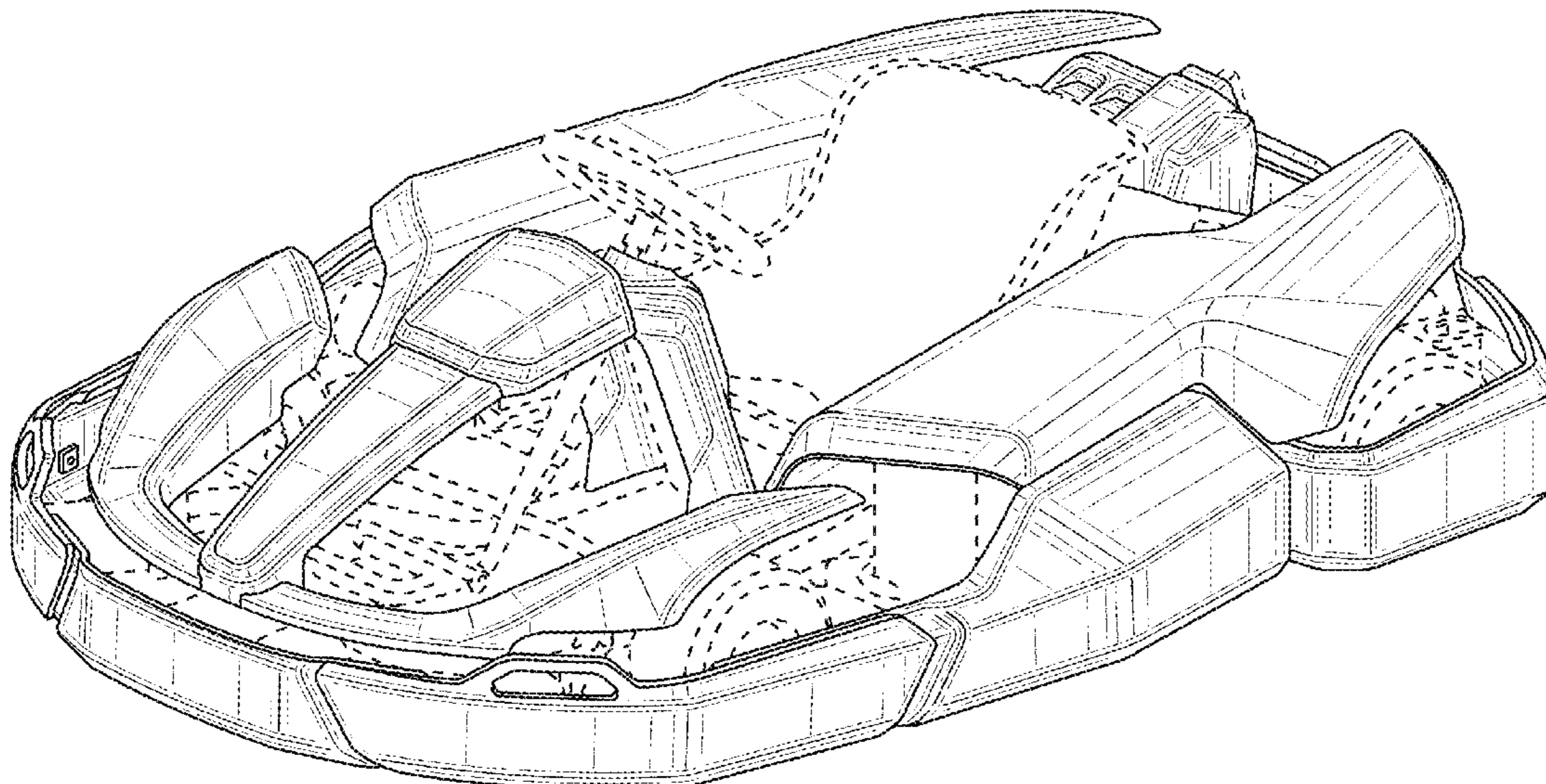
(56) **References Cited**

FIG. 1 is a perspective view taken from a front, left side of a kart body according to my design; FIG. 2 is a front elevation view thereof; FIG. 3 is a rear elevation view thereof; FIG. 4 is a left side elevation view thereof; FIG. 5 is a right side elevation view thereof; FIG. 6 is a top plan view thereof; and, FIG. 7 is a bottom plan view thereof. Throughout the Figures, where shown, the dashed lines are included for the purpose of illustrating portions of the kart body and of a corresponding kart which form no part of the claimed design.

U.S. PATENT DOCUMENTS

D253,605 S 12/1979 Herd
D255,810 S 7/1980 Bretschger
D359,082 S 6/1995 Aker et al.
D365,782 S 1/1996 Reynard et al.
D368,743 S 4/1996 Amburgey et al.
D412,138 S 7/1999 Triarsi et al.
6,170,596 B1 1/2001 Triarsi et al.
D438,144 S 2/2001 Hettler
D465,814 S 11/2002 Koveleski
D471,489 S 3/2003 Greenfield
D471,936 S 3/2003 Tilbor et al.
D503,952 S 4/2005 Tung

1 Claim, 7 Drawing Sheets



(56)

References Cited

U.S. PATENT DOCUMENTS

D637,660 S * 5/2011 Markowitz D21/424
D670,605 S 11/2012 Nauert
D729,695 S 5/2015 Bowlby
D764,601 S 8/2016 Desberg
D821,918 S * 7/2018 Seidl D12/88
D822,120 S * 7/2018 van den Berg D21/426
D883,397 S * 5/2020 Xu D21/424
D884,086 S * 5/2020 Herlitz D21/433
D894,791 S * 9/2020 Lin D12/88

FOREIGN PATENT DOCUMENTS

EM 001971664-0001 1/2012
EM 003617547-0001 1/2017

OTHER PUBLICATIONS

Sodikart; Rental Karts—Professional Use; (undated); retrieved from <https://www.sodikart.com/en-gb/karts/rental/> on Jun. 5, 2020.

RiMO; Electric Karts; RiMO Germany GmbH & Co. KG; (undated); retrieved from <https://en.rimo-germany.com/all-rimo-karts.html> on Jun. 5, 2020.

RiMO; Used Vehicles; RiMO Germany GmbH & Co. KG; (undated); retrieved from <https://en.rimo-germany.com/used-karts.html> on Jun. 5, 2020.

Grant Decision issued on Jul. 7, 2020 by the Japanese Patent Office in connection with the corresponding Application No. 2019-027704.

* cited by examiner

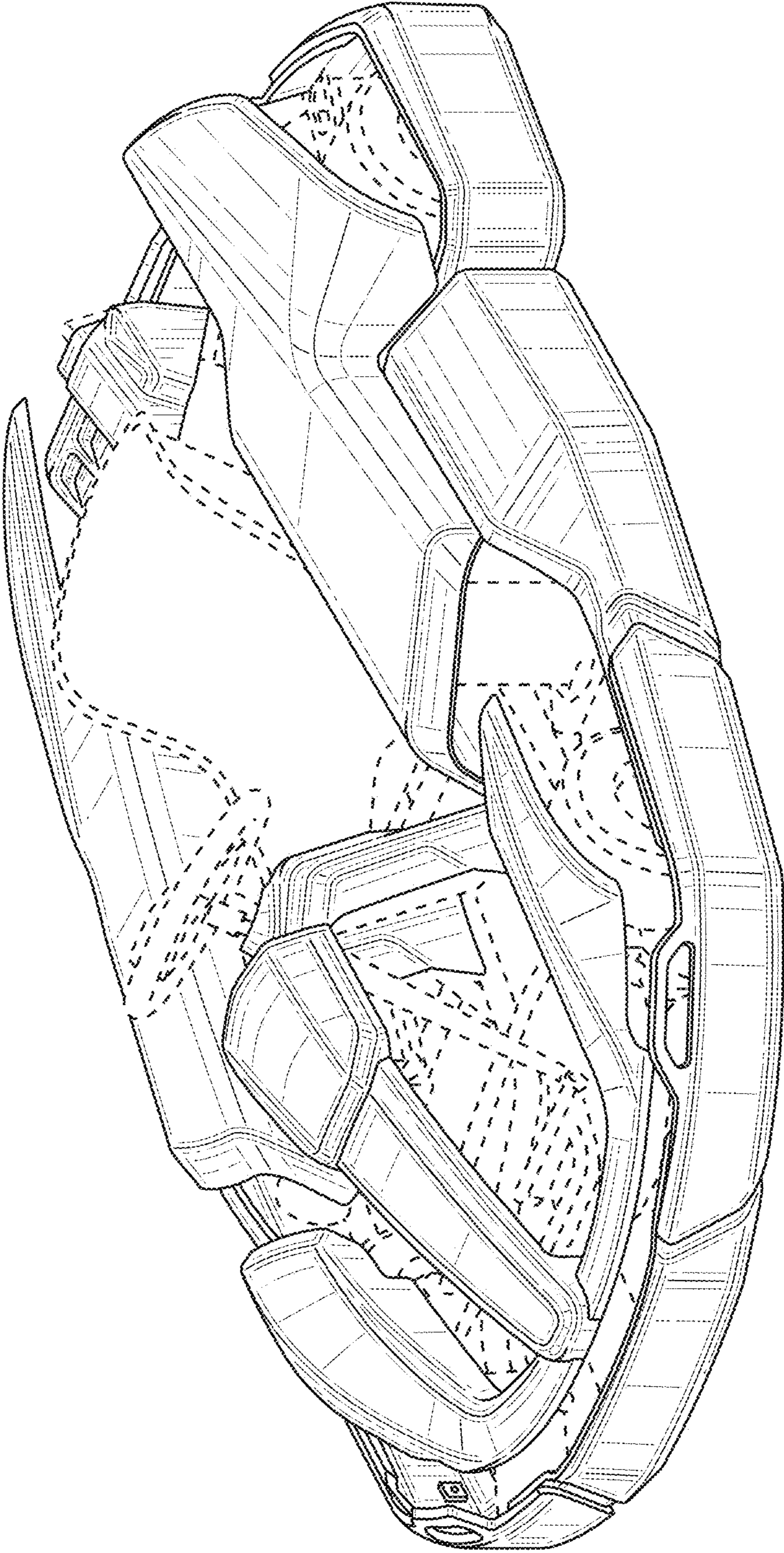


FIG. 1

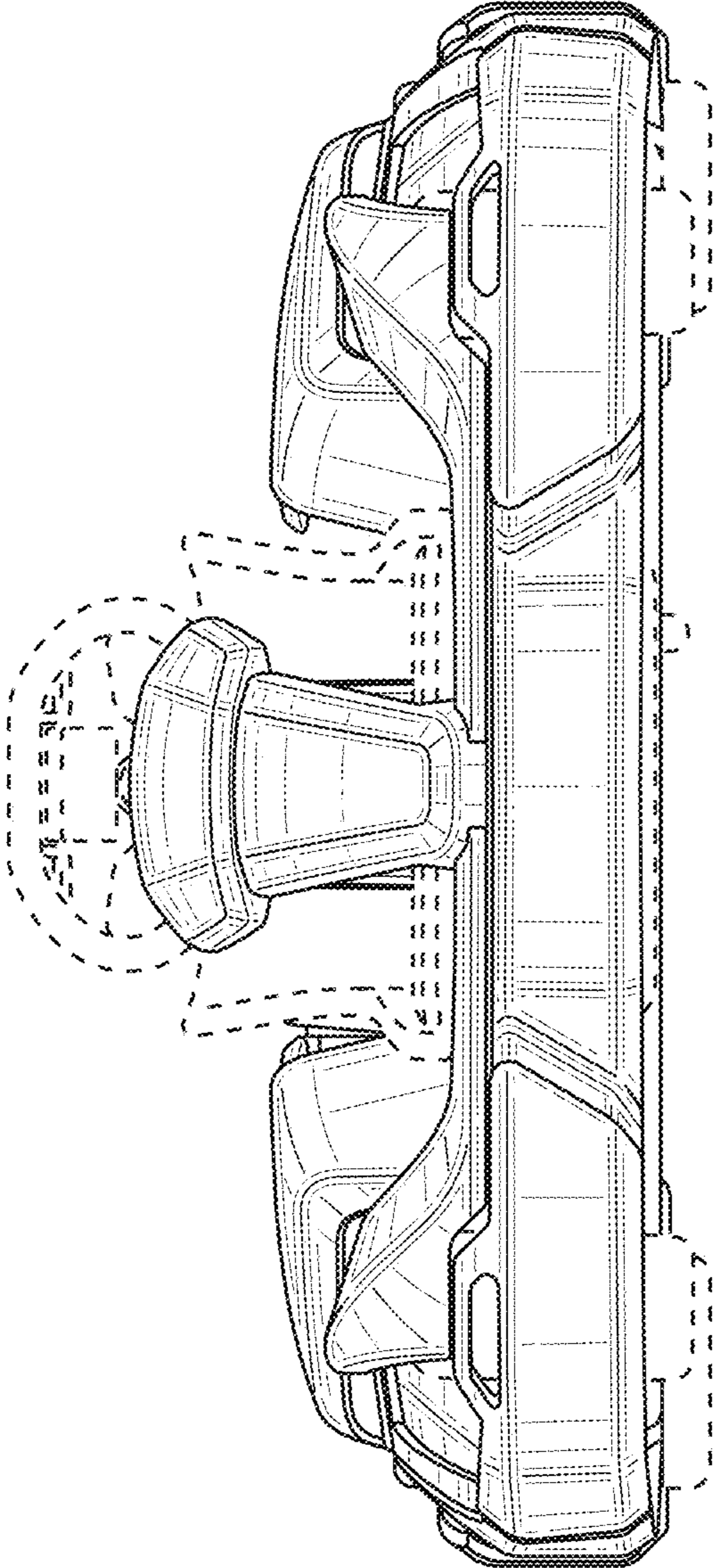


FIG. 2

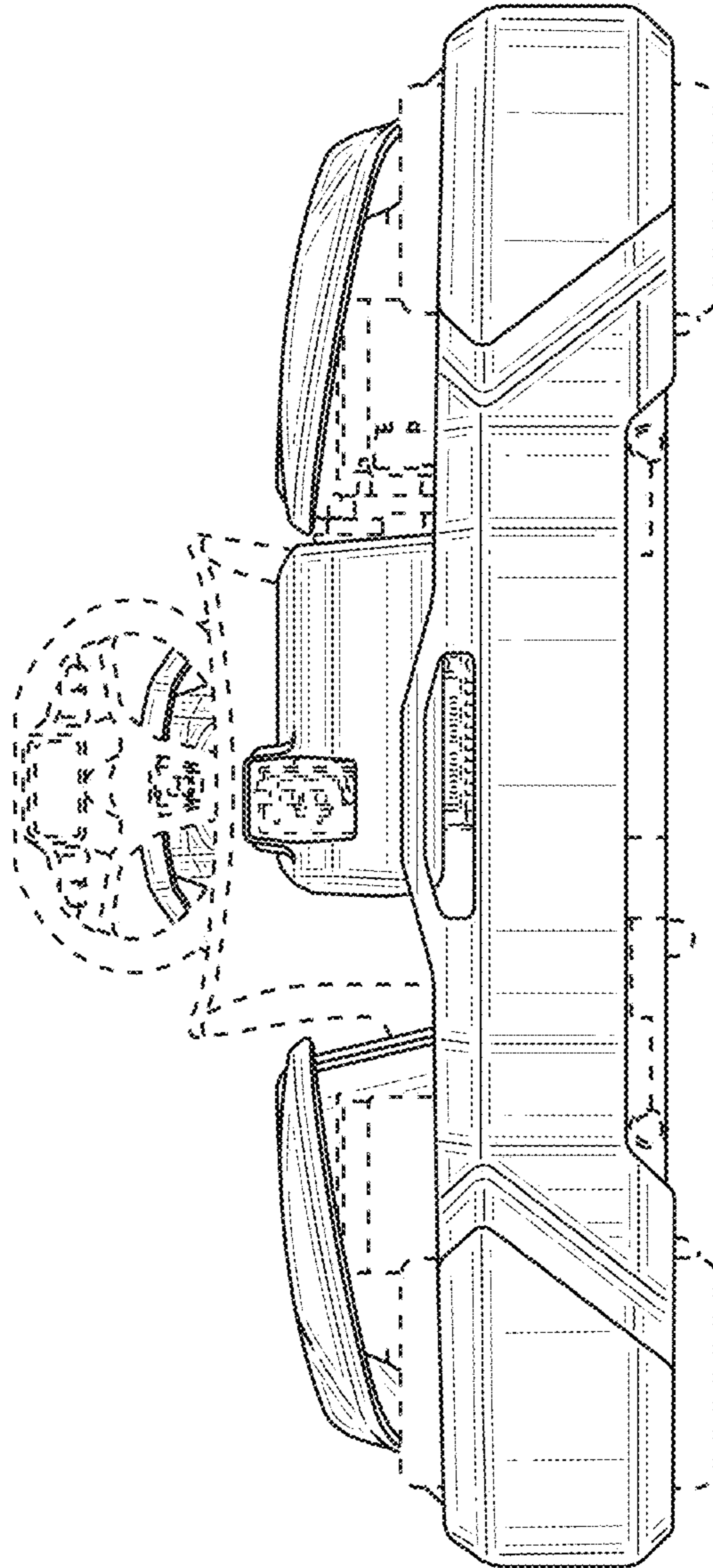


FIG. 3

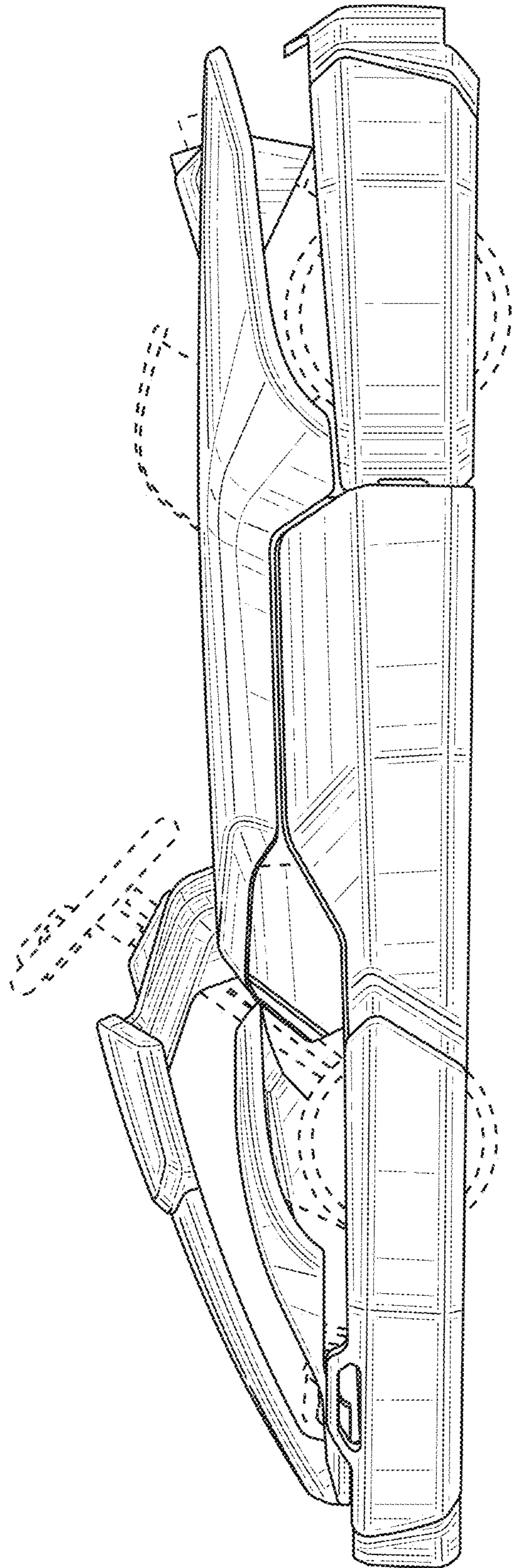


FIG. 4

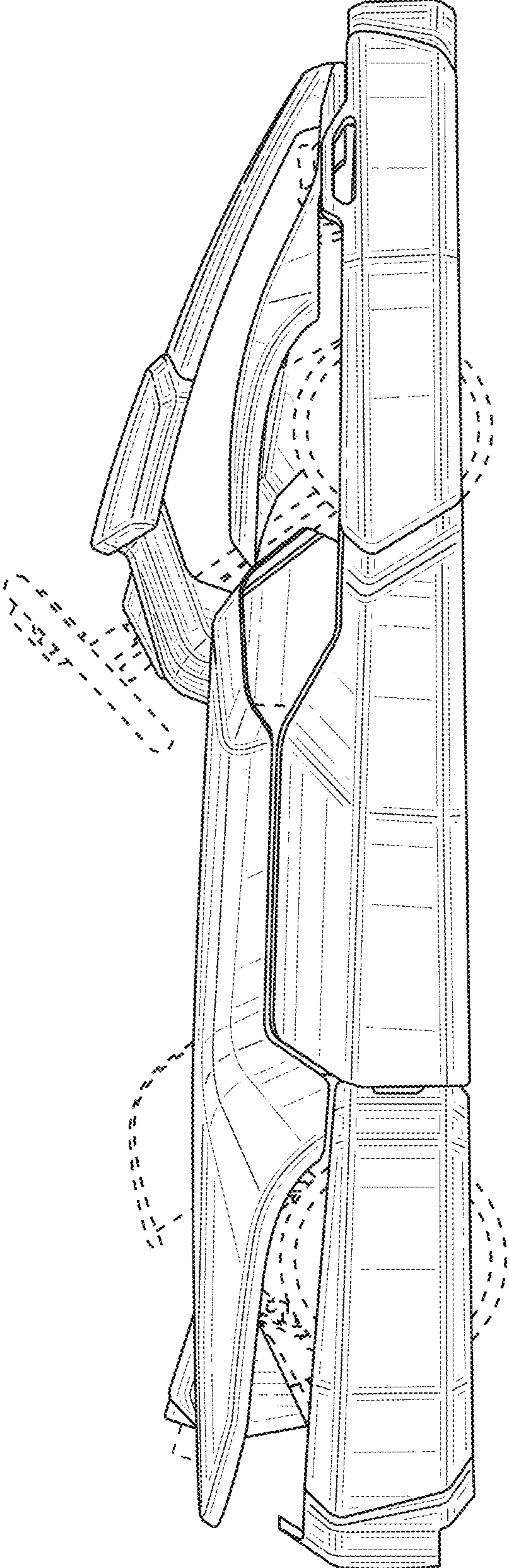


FIG. 5

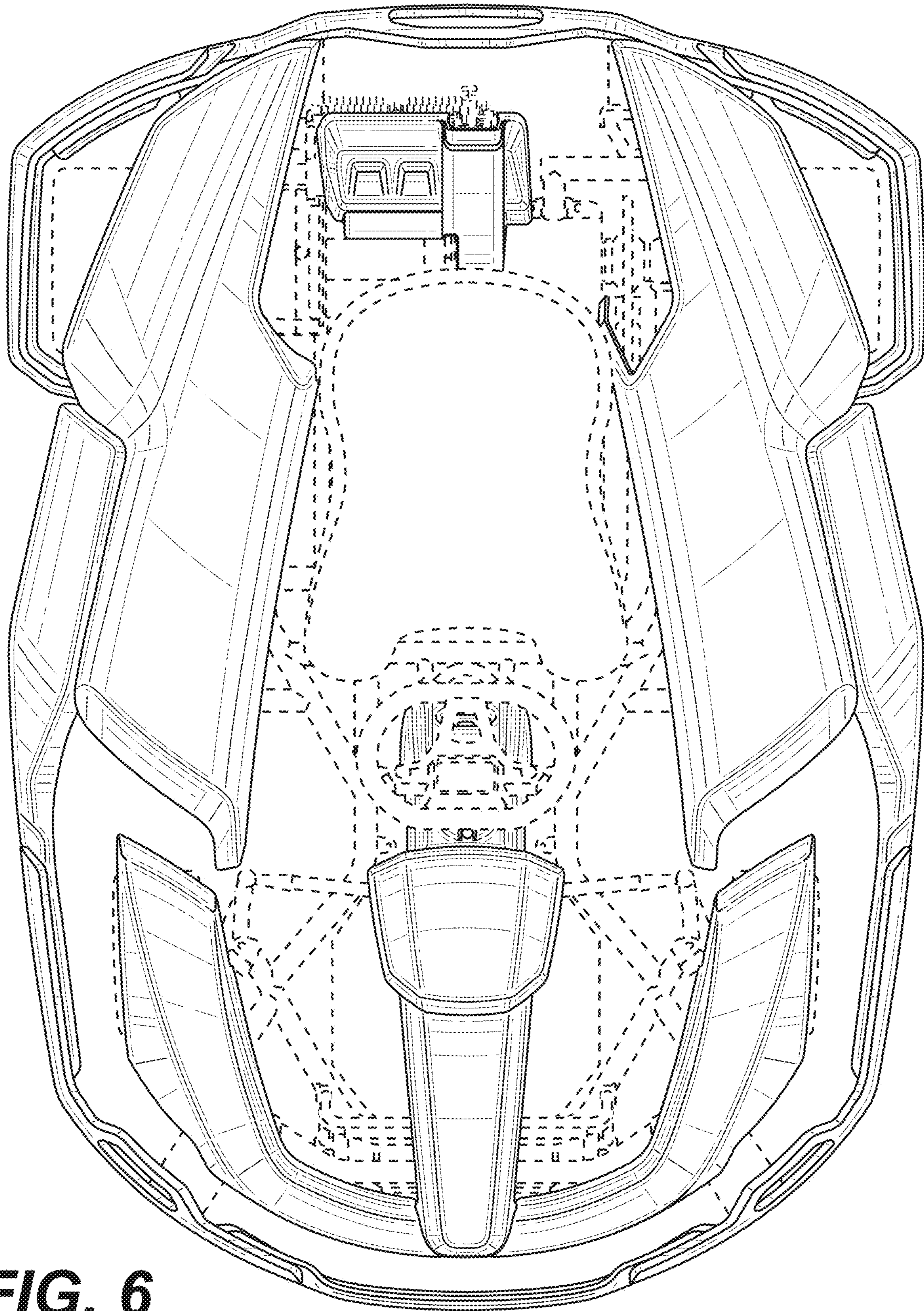


FIG. 6

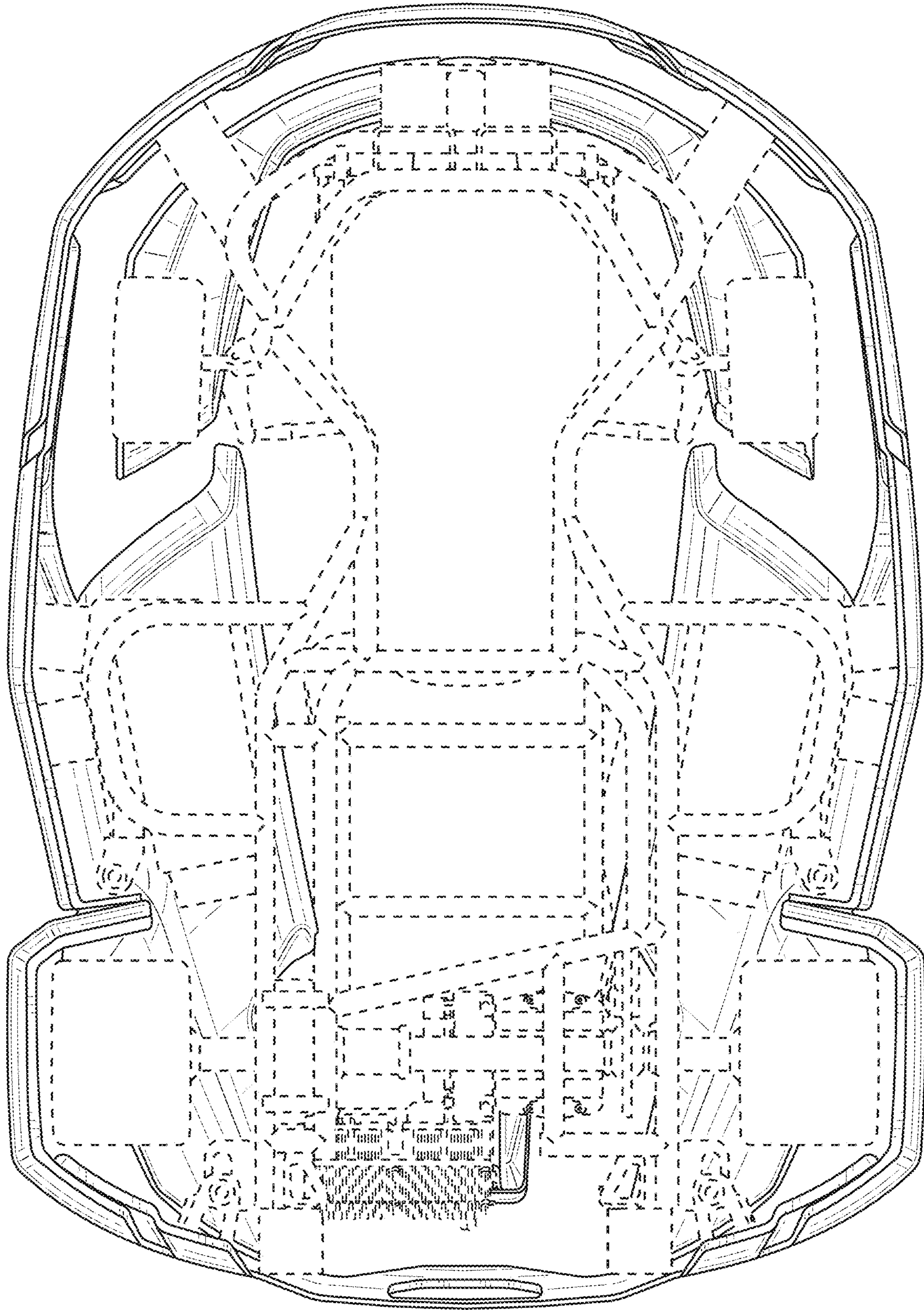


FIG. 7