



US00D917622S

(12) **United States Design Patent** (10) **Patent No.:** **US D917,622 S**  
**Hsu et al.** (45) **Date of Patent:** **\*\* Apr. 27, 2021**

(54) **THUMBSTICK ATTACHMENT**  
(71) Applicant: **Microsoft Corporation**, Redmond, WA (US)  
(72) Inventors: **Elliott Hsu**, Seattle, WA (US); **Joshua P. Weiher**, Seattle, WA (US); **Dan Thorstenson**, Seattle, WA (US); **Jonathan Shea Robinson**, Seattle, WA (US); **Aaron Schmitz**, Seattle, WA (US); **Dustin Tiffany**, Woodinville, WA (US)  
(73) Assignee: **Microsoft Corporation**, Redmond, WA (US)

D467,922 S \* 12/2002 Lee ..... D14/401  
D501,848 S \* 2/2005 Uehara ..... D14/240  
D558,767 S \* 1/2008 Solland ..... D14/400  
D608,784 S \* 1/2010 Biheller ..... D14/401  
D620,939 S \* 8/2010 Suetake ..... D14/401  
D627,831 S \* 11/2010 Tombazis ..... D21/333  
D654,880 S \* 2/2012 Lam ..... D13/174  
D678,284 S \* 3/2013 Coulter ..... D14/412  
D692,003 S \* 10/2013 Coulter ..... D14/412

(Continued)

FOREIGN PATENT DOCUMENTS

JP 1549310 S 5/2016

OTHER PUBLICATIONS

“Examination Report Issued in Indian Patent Application No. 323475-001”, dated Dec. 30, 2019, 2 Pages.

(Continued)

*Primary Examiner* — Sandra Snapp  
*Assistant Examiner* — Mehri Bajoul  
(74) *Attorney, Agent, or Firm* — Banner & Witcoff, Ltd.

(\*\*) Term: **15 Years**  
(21) Appl. No.: **29/690,803**  
(22) Filed: **May 10, 2019**  
(51) **LOC (13) Cl.** ..... **21-01**  
(52) **U.S. Cl.**  
USPC ..... **D21/333**  
(58) **Field of Classification Search**  
USPC ..... D21/328, 333, 385, 453, 561, 658, D21/753-758; D14/339-401, 412-418, D14/432, 454; D8/300, 302, 307, 309, D8/310, 321, 341, 343, 347, 399; D15/5, D15/28, 78, 89.138; D7/376, 378, 384, D7/393; D16/216, 235, 245, 250; D6/659, 663, 702; D23/206, 249, 303, D23/322, 386  
CPC .. A63F 13/02; A63F 9/24; A63F 13/12; A63F 9/00; A63F 11/00; G06F 3/02; G06F 3/033; G09G 5/00; G05D 1/0016  
See application file for complete search history.

(57) **CLAIM**

The ornamental design for a thumbstick attachment, as shown and described.

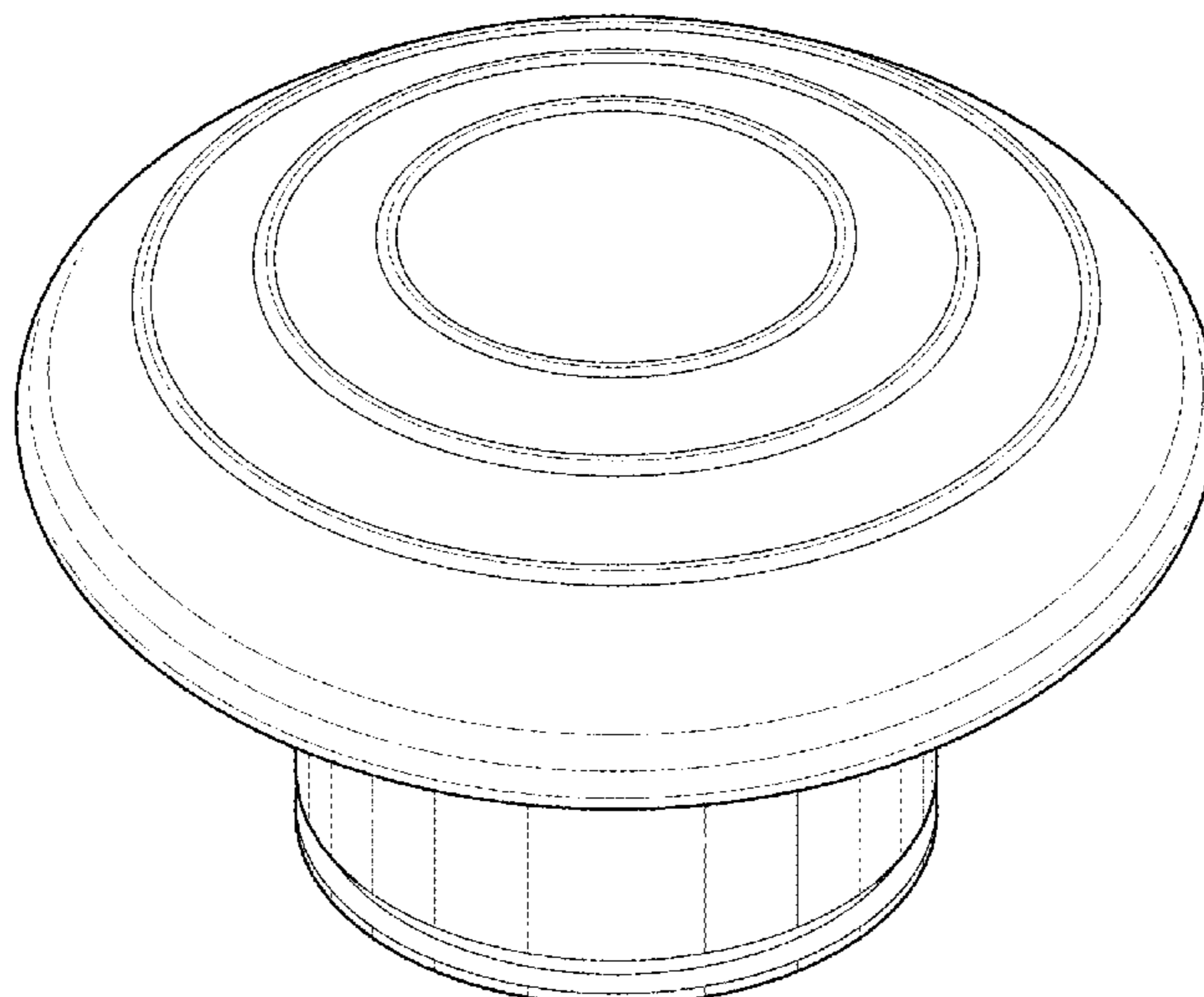
**DESCRIPTION**

FIG. 1 is a top perspective view of a thumbstick attachment showing our new design;  
FIG. 2 is a front view thereof;  
FIG. 3 is a rear view thereof;  
FIG. 4 is a right side view thereof;  
FIG. 5 is a left side view thereof;  
FIG. 6 is a top view thereof; and,  
FIG. 7 is a bottom view thereof.  
The broken lines shown in the drawings depict portions of the thumbstick attachment and form no part of the claimed design.

(56) **References Cited**  
U.S. PATENT DOCUMENTS

D313,116 S \* 12/1990 Whitney ..... 2/340  
D357,576 S \* 4/1995 Steinweis ..... D11/227

**1 Claim, 5 Drawing Sheets**



(56)

References Cited

U.S. PATENT DOCUMENTS

D693,346 S \* 11/2013 Coulter ..... D14/412  
 D694,239 S \* 11/2013 Coulter ..... D14/412  
 D694,830 S 12/2013 Crowley et al.  
 D700,182 S \* 2/2014 Kidakarn ..... D14/401  
 D709,882 S 7/2014 Morris et al.  
 D715,865 S \* 10/2014 Morris ..... D21/333  
 D732,047 S \* 6/2015 Brouillette ..... D14/454  
 D748,078 S \* 1/2016 Nardin ..... D14/218  
 D750,179 S \* 2/2016 Foulkes ..... D21/333  
 D760,228 S \* 6/2016 Asano ..... D14/412  
 D762,780 S \* 8/2016 Mistry ..... D21/333  
 D762,781 S \* 8/2016 Mistry ..... D21/333  
 D762,782 S \* 8/2016 Walker, II ..... D21/333  
 D763,967 S 8/2016 Kujawski et al.  
 D764,597 S 8/2016 Kujawski et al.  
 D765,788 S \* 9/2016 Kujawski ..... D21/333  
 D765,790 S 9/2016 Chatterjee et al.  
 D766,376 S 9/2016 Kujawski et al.  
 D767,038 S 9/2016 Kujawski et al.  
 D767,684 S 9/2016 Kujawski et al.  
 D768,784 S 10/2016 Kujawski et al.  
 D772,987 S 11/2016 Kujawski et al.  
 D772,988 S \* 11/2016 Kujawski ..... D21/333  
 D773,561 S \* 12/2016 Kujawski ..... D21/333  
 D774,143 S 12/2016 Kujawski et al.  
 D775,200 S \* 12/2016 Maitlen ..... D14/489  
 D783,576 S 4/2017 Bristol et al.

D786,830 S 5/2017 Plattard  
 D790,545 S \* 6/2017 Dannenberg ..... D14/413  
 9,678,577 B1 \* 6/2017 Rutledge ..... G06F 3/0338  
 D793,808 S \* 8/2017 Weaden ..... D7/412  
 D794,025 S 8/2017 Kujawski et al.  
 D813,239 S \* 3/2018 Akana ..... D14/432  
 D816,169 S \* 4/2018 Trujillo ..... D21/333  
 D844,716 S 4/2019 Gan  
 D850,495 S 6/2019 Dubiel et al.  
 D867,179 S \* 11/2019 Akana ..... D10/70  
 D884,077 S \* 5/2020 Trujillo ..... D21/333  
 D884,808 S \* 5/2020 Pacheco ..... D21/753  
 D889,550 S 7/2020 Ironmonger et al.  
 2018/0207523 A1 \* 7/2018 Lyden ..... A63F 13/214

OTHER PUBLICATIONS

“Office Action Issued in Mexican Patent Application No. MY/f/2019/003138”, dated Jan. 20, 2020, 4 Pages.  
 Office Action Issued in Japanese Patent Application No. 2019-024958, dated Apr. 10, 2020, 4 Pages.  
 Office Action Issued in Mexican Patent Application No. MX/f/2019/003155, dated Jan. 15, 2020, 4 Pages.  
 “Non Final Office Action Issued in U.S. Appl. No. 29/691,032”, dated Sep. 21, 2020, 10 Pages.  
 “Office Action Issued in Malaysian Patent Application No. 19-01435-0101”, dated Oct. 26, 2020, 2 Pages.

\* cited by examiner

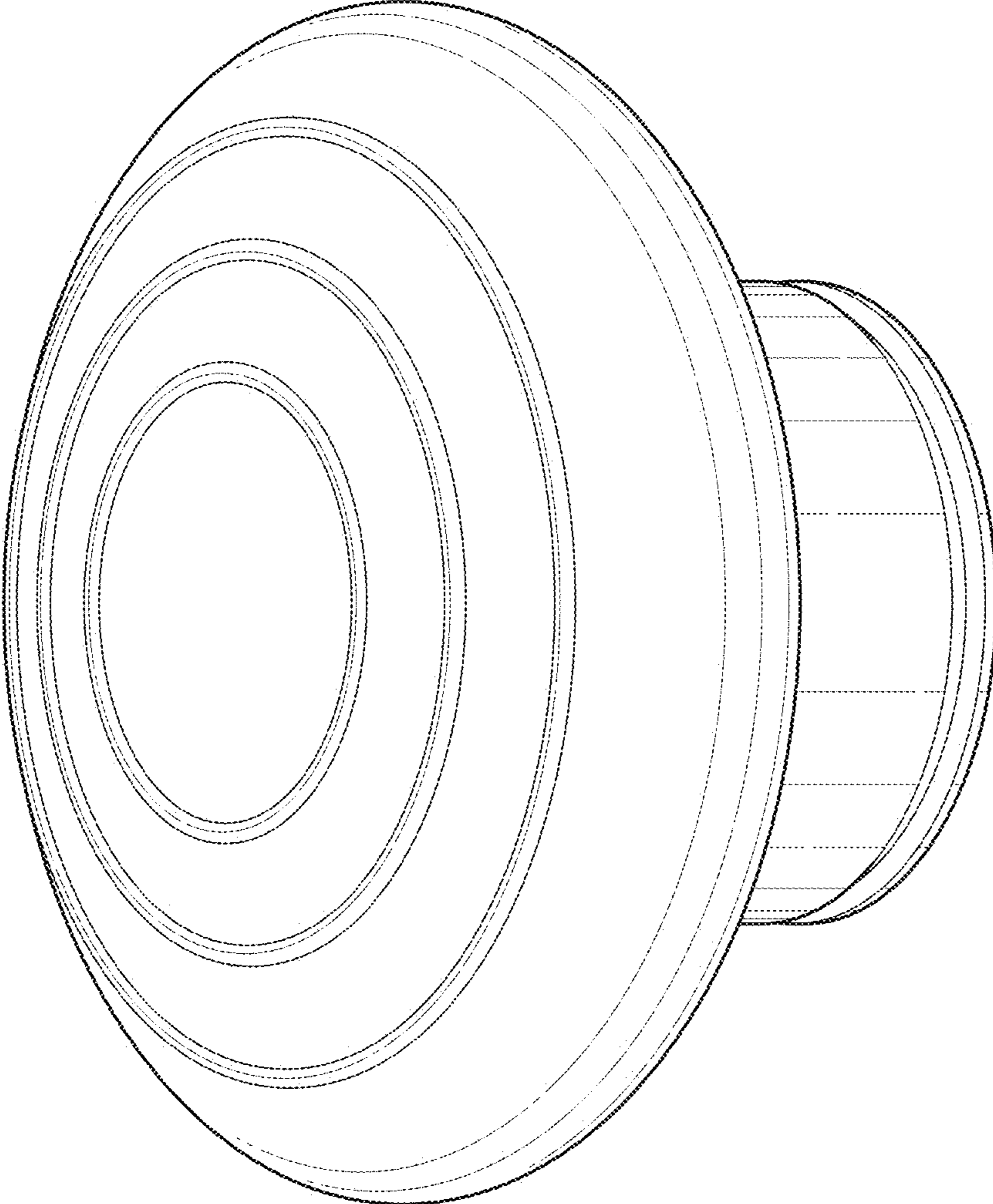


FIG. 1

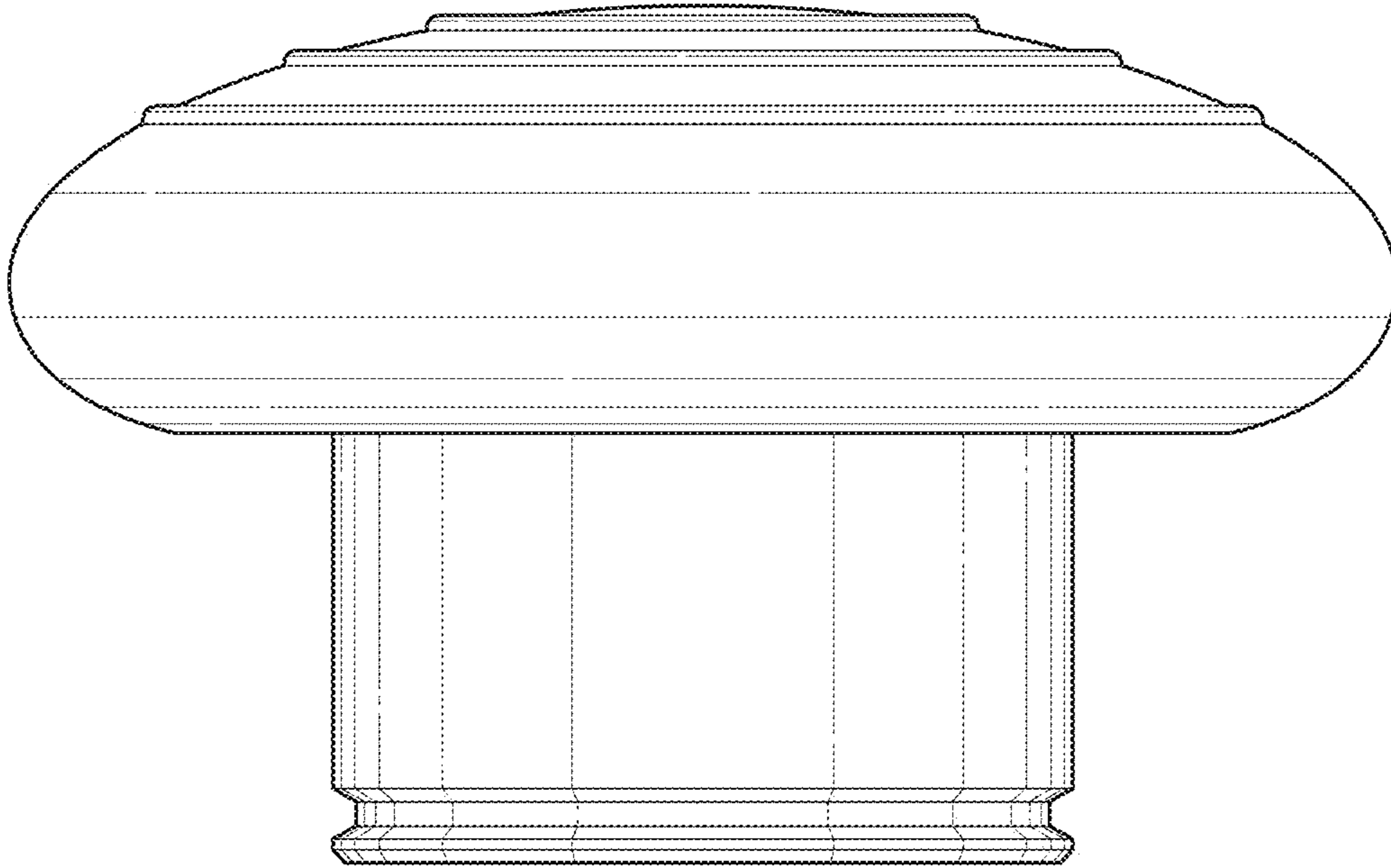


FIG. 2

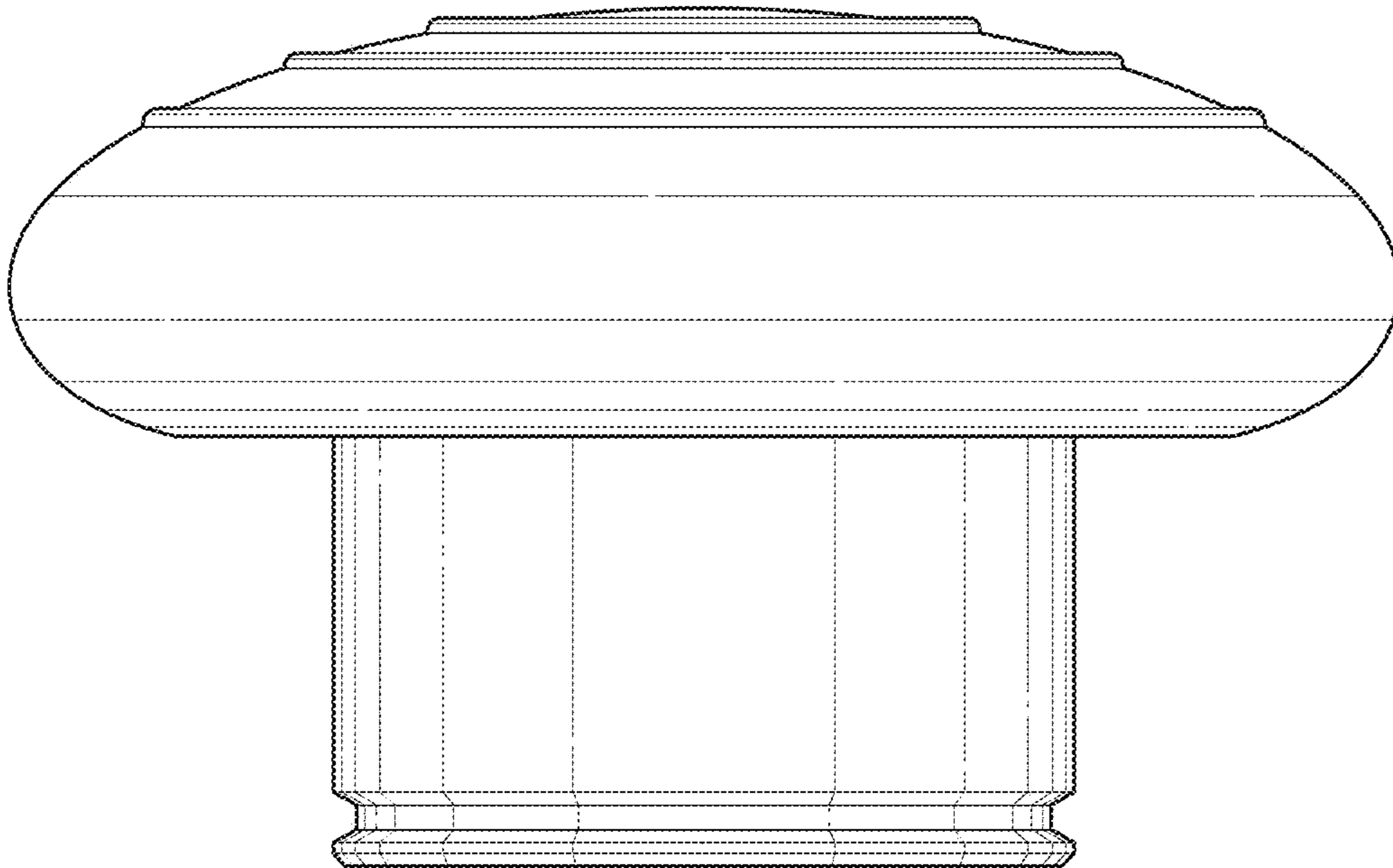


FIG. 3



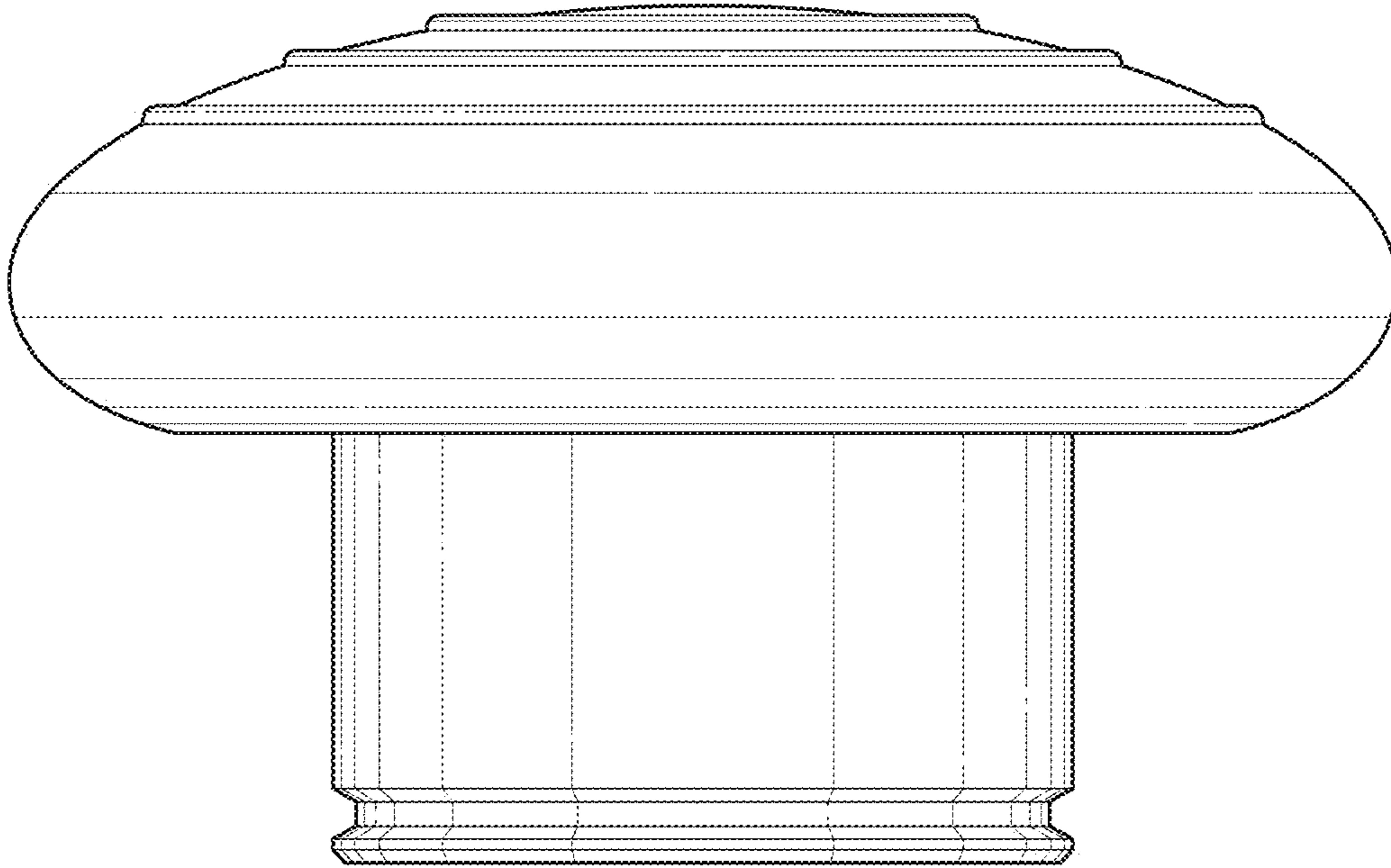


FIG. 4

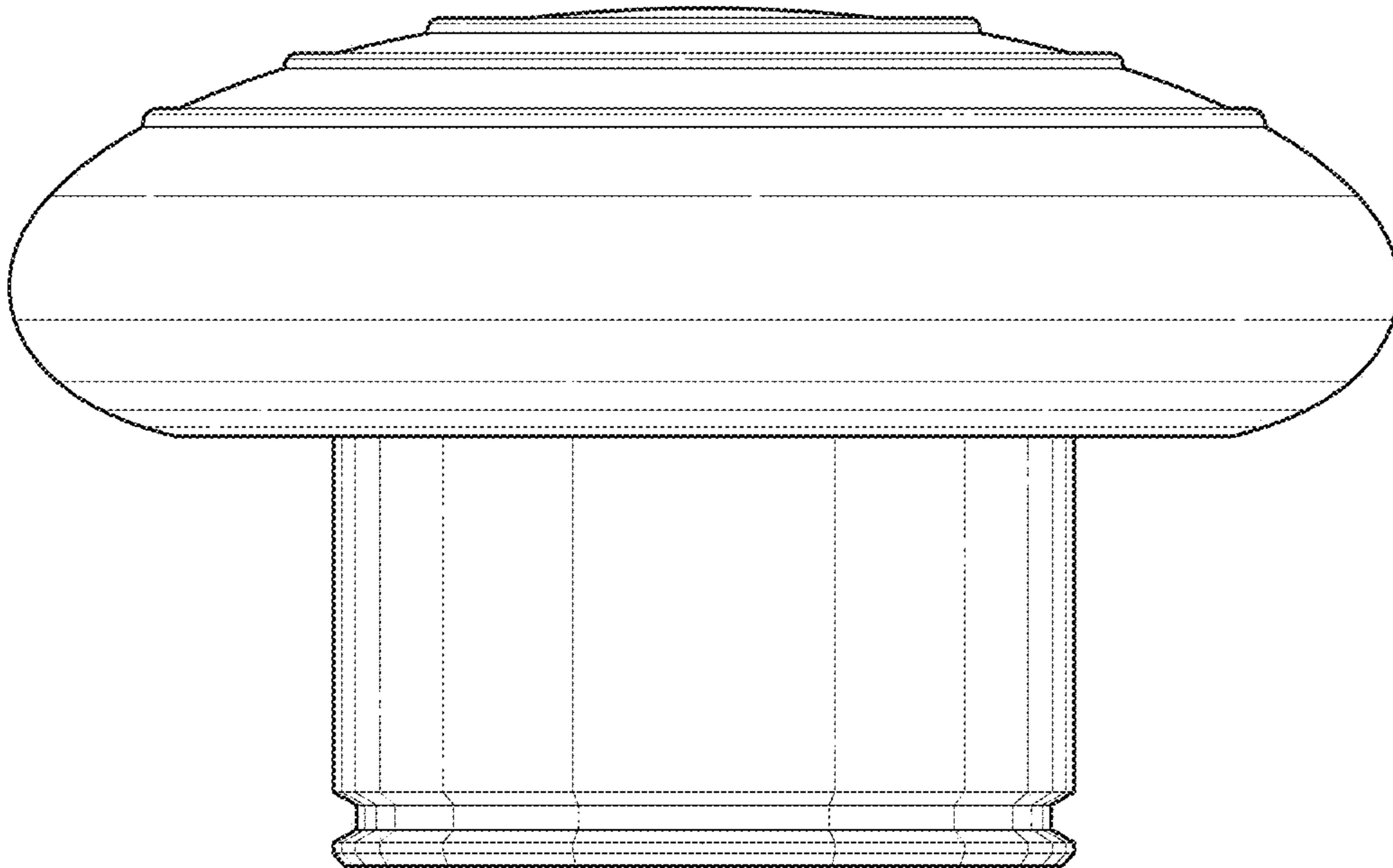


FIG. 5

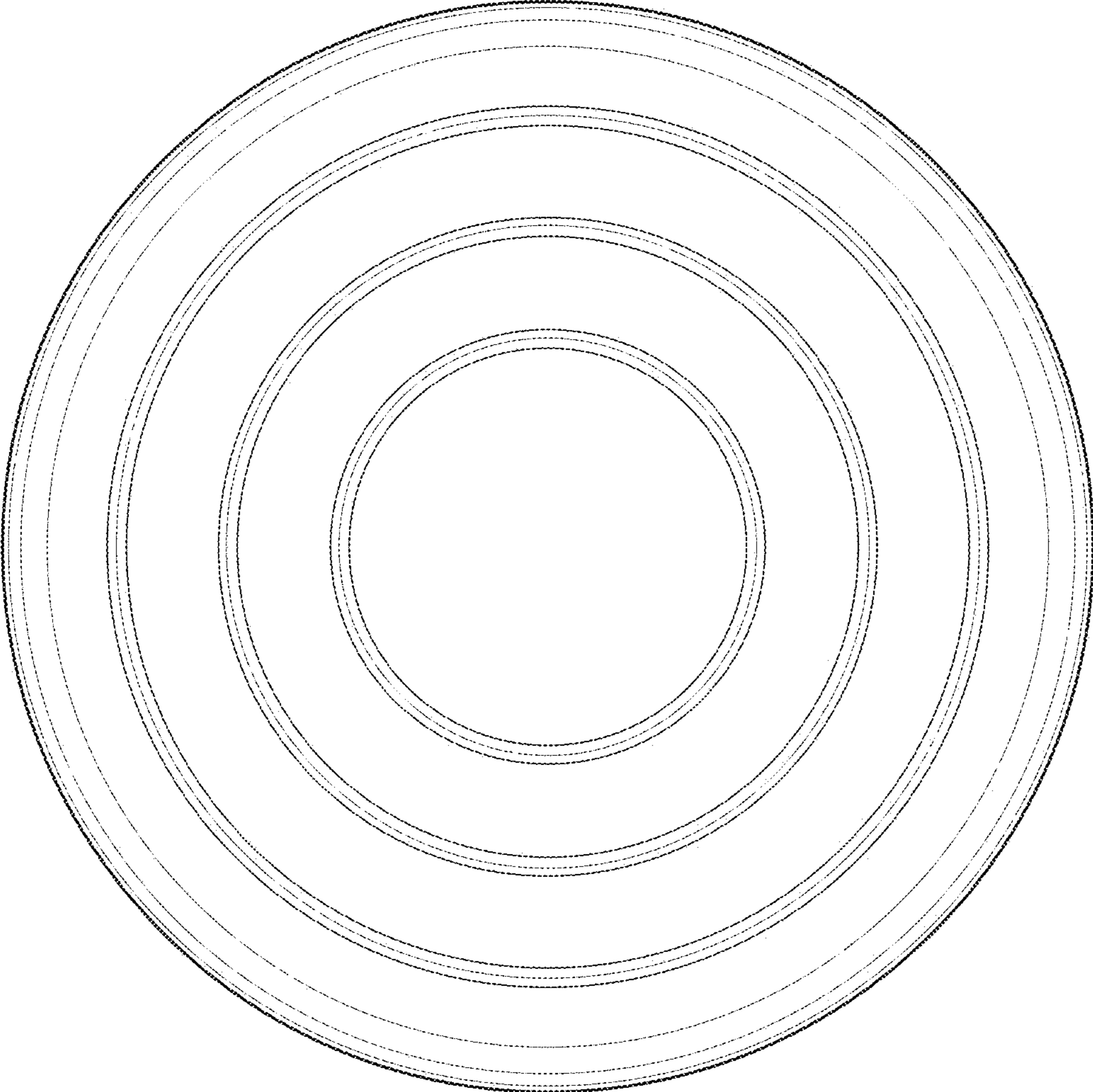


FIG. 6

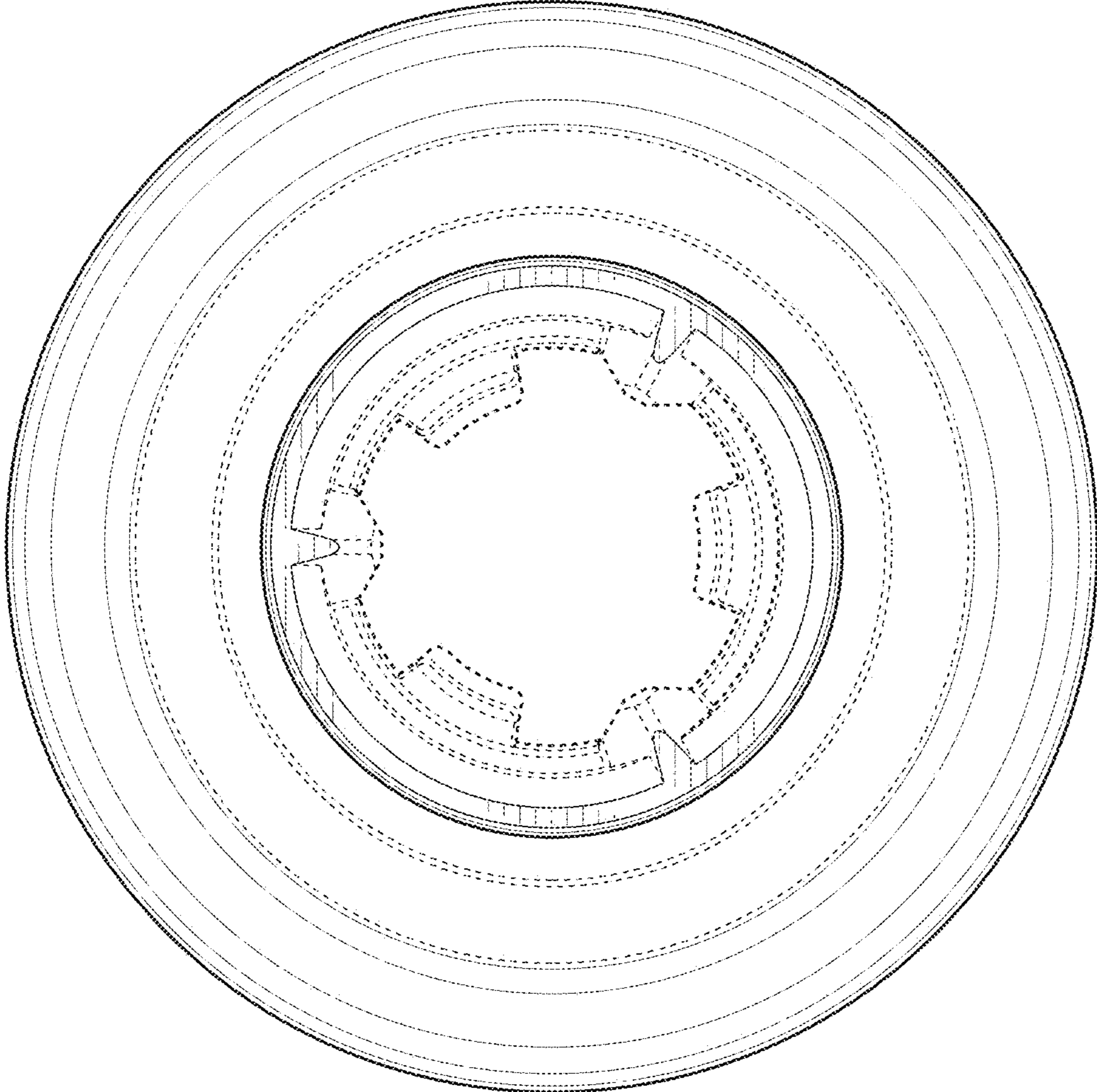


FIG. 7