

US00D917621S

(12) **United States Design Patent** (10) **Patent No.:** **US D917,621 S**
Kaminkow et al. (45) **Date of Patent:** **** Apr. 27, 2021**

(54) **GAMING MACHINE**

OTHER PUBLICATIONS

(71) Applicant: **Aristocrat Technologies Australia Pty Limited**, North Ryde (AU)

“Flappy Bird arcade cabinet will empty your wallet in record time”, Fingas, Jan. 10, 2015, retrieved from <https://www.engadget.com/2015/01/10/flappy-bird-arcade-cabinet/>.

(72) Inventors: **Joseph Kaminkow**, Las Vegas, NV (US); **Bruce Urban**, Las Vegas, NV (US); **Dominic DeMarco**, Round Rock, TX (US); **Larry Pacey**, Las Vegas, NV (US); **Daniel Harden**, Palo Alto, CA (US); **Ariel Turgel**, San Francisco, CA (US); **Cheng-Fu Hsieh**, Sunnyvale, CA (US)

(Continued)

Primary Examiner — Sandra Snapp
Assistant Examiner — Mehri Bajoul

(73) Assignee: **Aristocrat Technologies Australia Pty Limited**, North Ryde (AU)

(74) *Attorney, Agent, or Firm* — McAndrews, Held & Malloy, Ltd.

(**) Term: **15 Years**

(57) **CLAIM**

The ornamental design for a gaming machine, as shown and described.

(21) Appl. No.: **29/658,892**

DESCRIPTION

(22) Filed: **Aug. 3, 2018**

(51) **LOC (13) Cl.** **21-01**

(52) **U.S. Cl.**
USPC **D21/300**

(58) **Field of Classification Search**
USPC D21/300, 323, 324, 325, 326, 327, 328, D21/329, 330, 331, 332, 333, 334, 335,
(Continued)

FIG. 1 is a front perspective view of a gaming machine showing our new design according to a first embodiment; FIG. 2 is a front elevation view thereof; FIG. 3 is a rear elevation view thereof; FIG. 4 is a right side elevation view thereof; FIG. 5 is a left side elevation view thereof; FIG. 6 is a top plan view thereof; FIG. 7 is a bottom plan view thereof; FIG. 8 is a rear perspective view thereof; FIG. 9 is a front perspective view of a gaming machine showing our new design according to a second embodiment; FIG. 10 is a front elevation view thereof; FIG. 11 is a rear elevation view thereof; FIG. 12 is a right side elevation view thereof; FIG. 13 is a left side elevation view thereof; FIG. 14 is a top plan view thereof; FIG. 15 is a bottom plan view thereof; and, FIG. 16 is a rear perspective view thereof. The dashed broken lines in the drawings illustrate portions of the gaming machine that form no part of the claimed design.

(56) **References Cited**

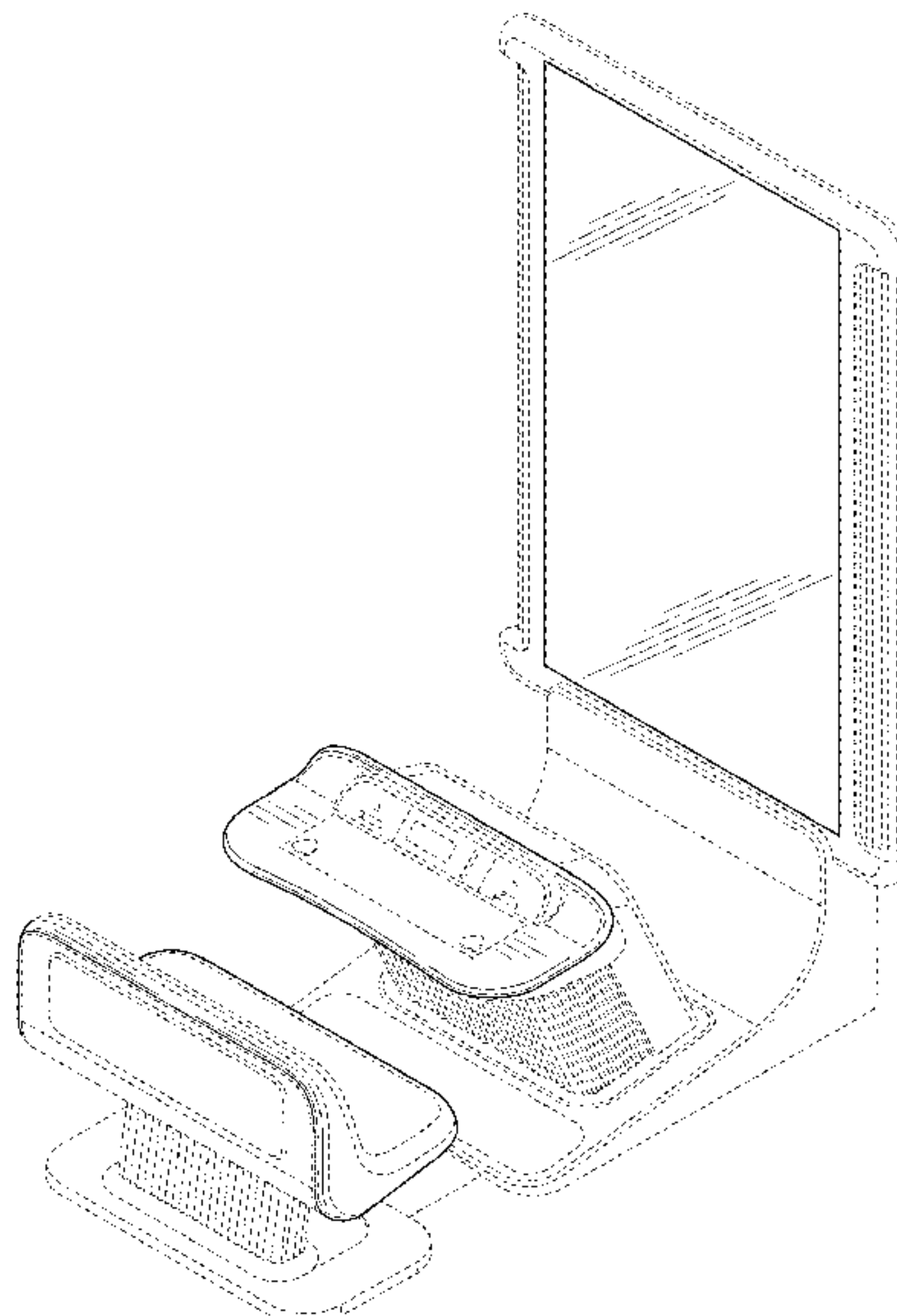
U.S. PATENT DOCUMENTS

D77,825 S * 2/1929 Fey D21/300
D139,949 S * 1/1945 Haggstrom D21/300
(Continued)

FOREIGN PATENT DOCUMENTS

CA 178255 11/2018
DE 0015402120001 6/2009
(Continued)

1 Claim, 16 Drawing Sheets



(58) **Field of Classification Search**

USPC D21/336, 337, 369, 370, 371, 372, 373,
 D21/374, 385; D99/33, 34, 35, 36;
 D14/125, 126, 133, 203.7, 203.8, 217,
 D14/300, 301, 302, 305, 307, 3, 34, 496,
 D14/511
 CPC G07F 17/3283; G07F 17/3204
 See application file for complete search history.

D847,905 S * 5/2019 Lewis D21/369
 D852,890 S * 7/2019 Ross D21/370
 D867,461 S * 11/2019 Huang D21/369
 2002/0198034 A1* 12/2002 Wang G07F 17/32
 463/12
 2008/0254881 A1 10/2008 Lutnick et al.
 2017/0039812 A1 2/2017 Baron et al.
 2018/0075707 A1 3/2018 Hirai et al.
 2019/0046872 A1 2/2019 Glenn, II et al.

(56) **References Cited**

U.S. PATENT DOCUMENTS

D245,359 S * 8/1977 Wilke D21/312
 D344,296 S * 2/1994 McKay D21/326
 D376,391 S * 12/1996 Okumura D21/326
 D411,582 S * 6/1999 Muraki D21/325
 D421,631 S * 3/2000 Tsuda D21/329
 D460,915 S * 7/2002 Lynch D21/329
 D467,977 S 12/2002 Gatto
 6,530,842 B1 3/2003 Wells
 D594,068 S * 6/2009 Hsu D21/370
 D658,721 S * 5/2012 Yang D21/326
 8,210,949 B2 7/2012 Graf
 D704,273 S * 5/2014 Chudek D21/369
 D706,741 S * 6/2014 Myers D14/172
 8,986,109 B2 3/2015 Graf et al.
 D740,887 S * 10/2015 Randazzo D21/370
 D802,676 S * 11/2017 Steelman D21/326
 D808,467 S * 1/2018 Huang D21/369
 9,858,750 B2 1/2018 Kovacs et al.
 D812,145 S * 3/2018 Huang D21/369
 D818,048 S * 5/2018 Calhoun D21/369
 D820,915 S * 6/2018 Lee D21/369
 D833,535 S * 11/2018 Lim D21/370
 D839,357 S * 1/2019 Steelman D21/369
 D842,929 S * 3/2019 Hung D21/325
 D843,463 S * 3/2019 Castro D21/369
 D843,472 S * 3/2019 Castro D21/369
 D843,476 S * 3/2019 Lesley D21/369
 D843,479 S * 3/2019 Castro D21/369
 D844,062 S * 3/2019 Lesley D21/369

FOREIGN PATENT DOCUMENTS

DE 0015402380001 8/2009
 DE 0028613360001 11/2015
 EP 1778375 5/2007
 JP 1101243 2/2001
 JP 1484230 10/2013

OTHER PUBLICATIONS

“World’s Largest Pac-Man Game Overview”, Bandai Namco, Jul. 11, 2016, retrieved from https://www.youtube.com/watch?time_continue=54&v=4GqS9TtecGc.
 “ICE Debuts Shell Game Addition To Price Is Right Redemption Lineup”, Montano, Jun. 5, 2011, retrieved from <https://www.vendingtimes.com/articles/ice-debuts-shell-game-addition-to-price-is-right-r-8412?id=5FF3782D18934396BD83A14B3BD1E0BC>.
 “SD Ped pro”, Xtension, Sep. 28, 2014, retrieved from <http://www.xtensiongaming.com/products/xtension-sit-down-pedestal-arcade-cabinet-for-fight-sticks/attachment/sd-ped-pro/>.
 “Incredible Technologies Details Golden Tee Live 2012”, Arcadehero, Aug. 25, 2011, retrieved from <http://arcadeheroes.com/2011/08/25/incredible-technologies-details-golden-tee-live-2012/>.
 “Novomatic to showcase latest products at Peru Gaming Show”, Jun. 2, 2016, retrieved from <http://www.innovategaming.com/c63114>.
 “Introductie Fazi Roulette”, Elam Group, Jun. 10, 2018, retrieved from <https://www.youtube.com/watch?v=RLrFI5QDT5U>.

* cited by examiner

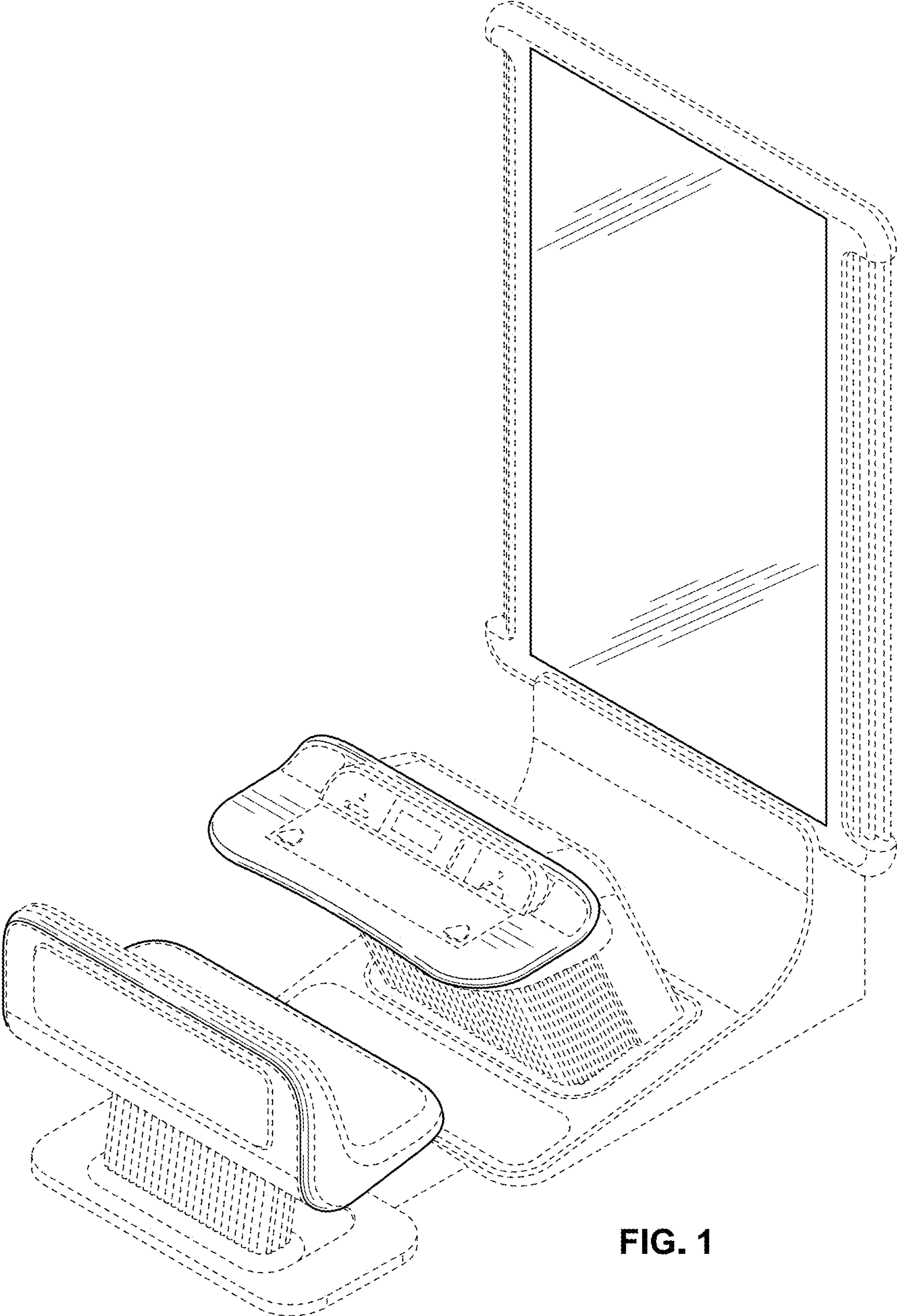


FIG. 1

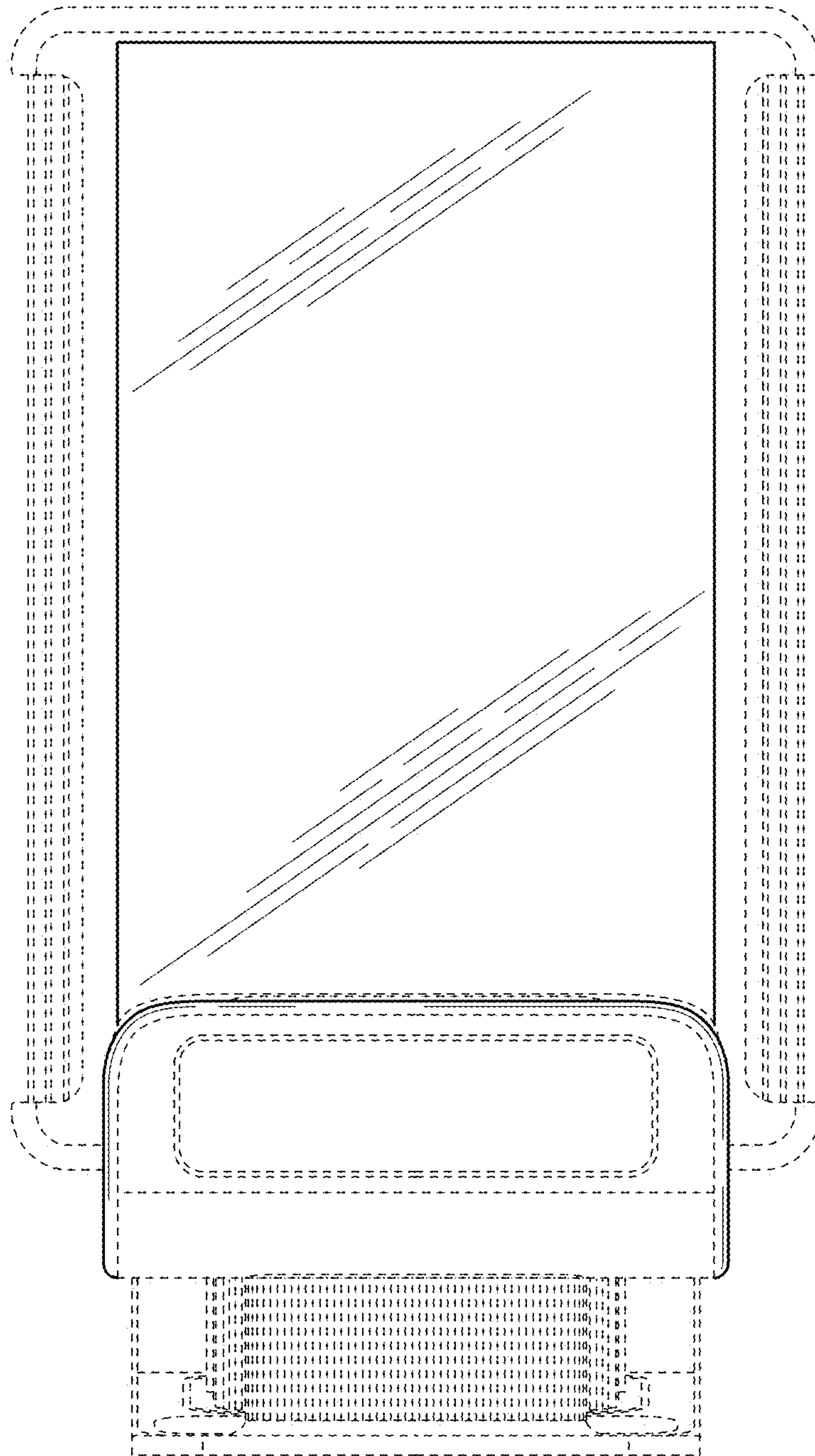


FIG. 2

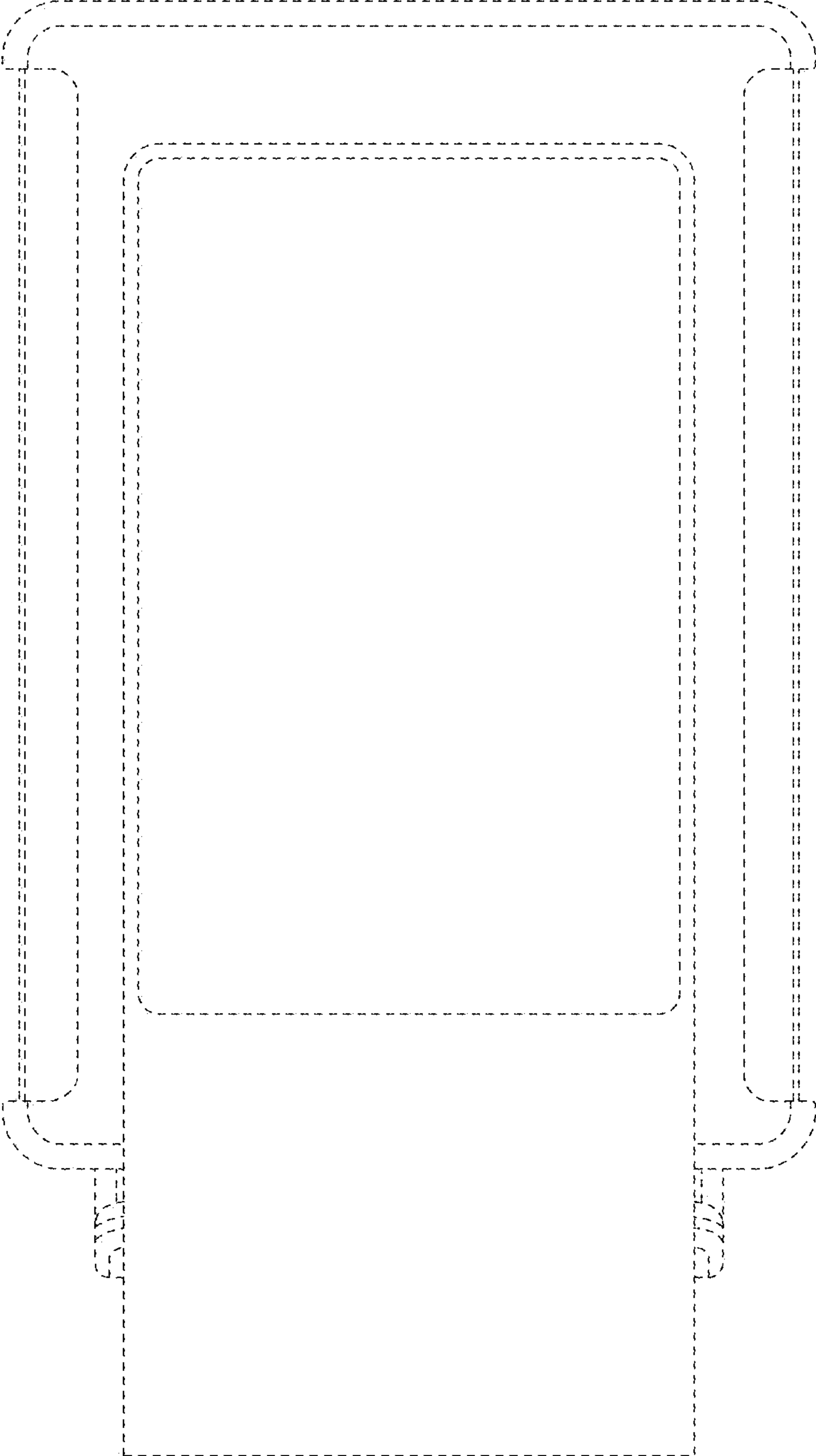


FIG. 3

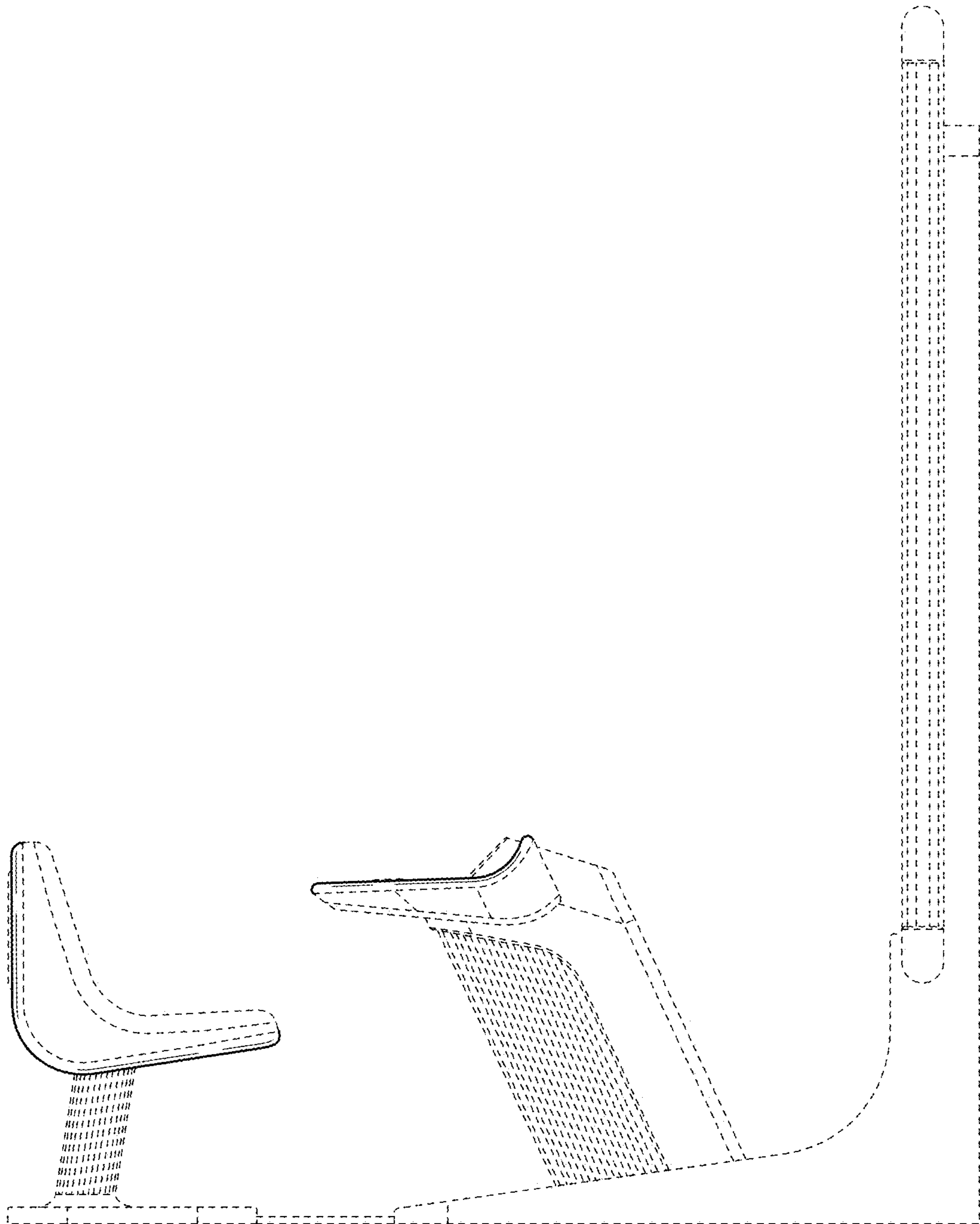


FIG. 4

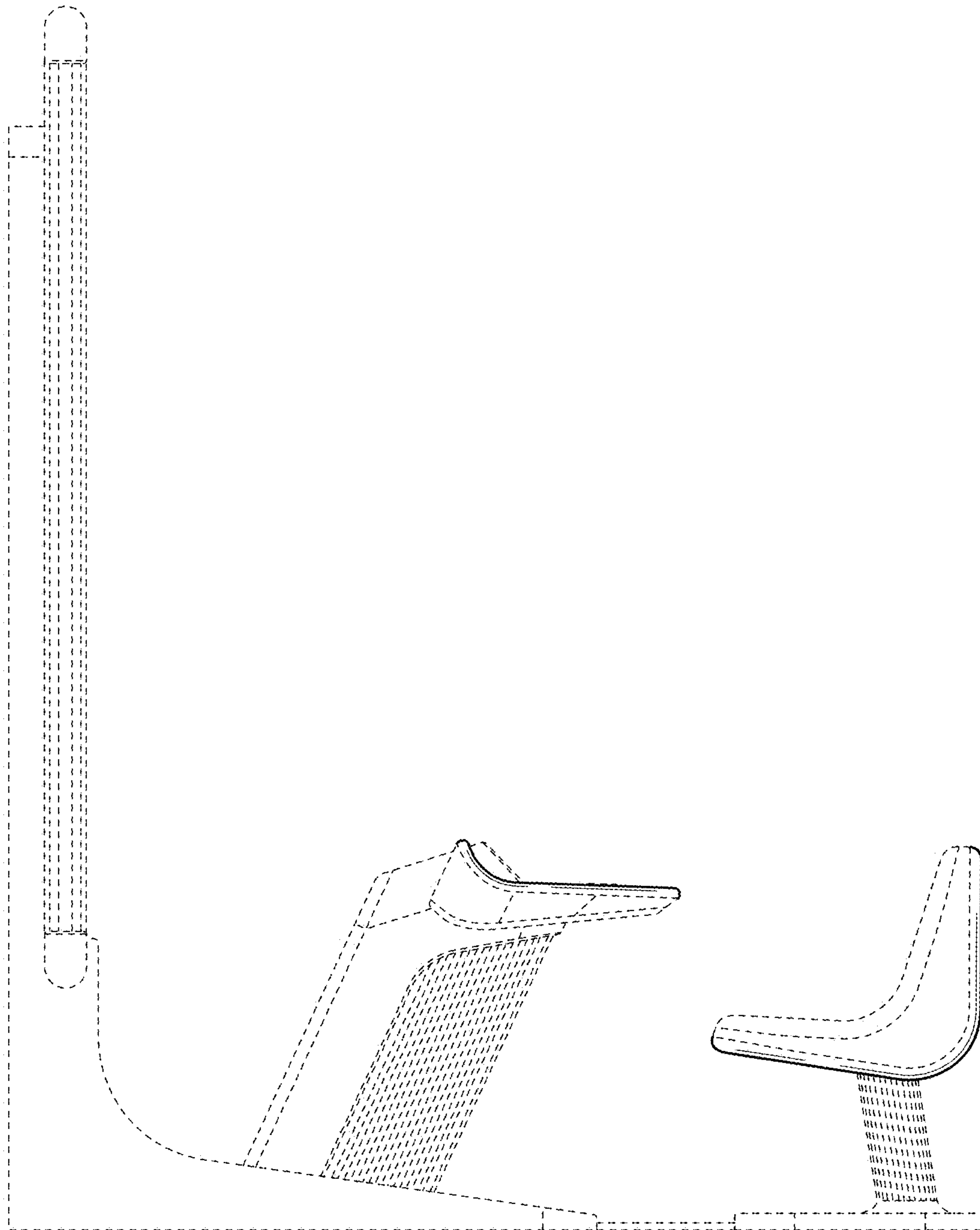


FIG. 5

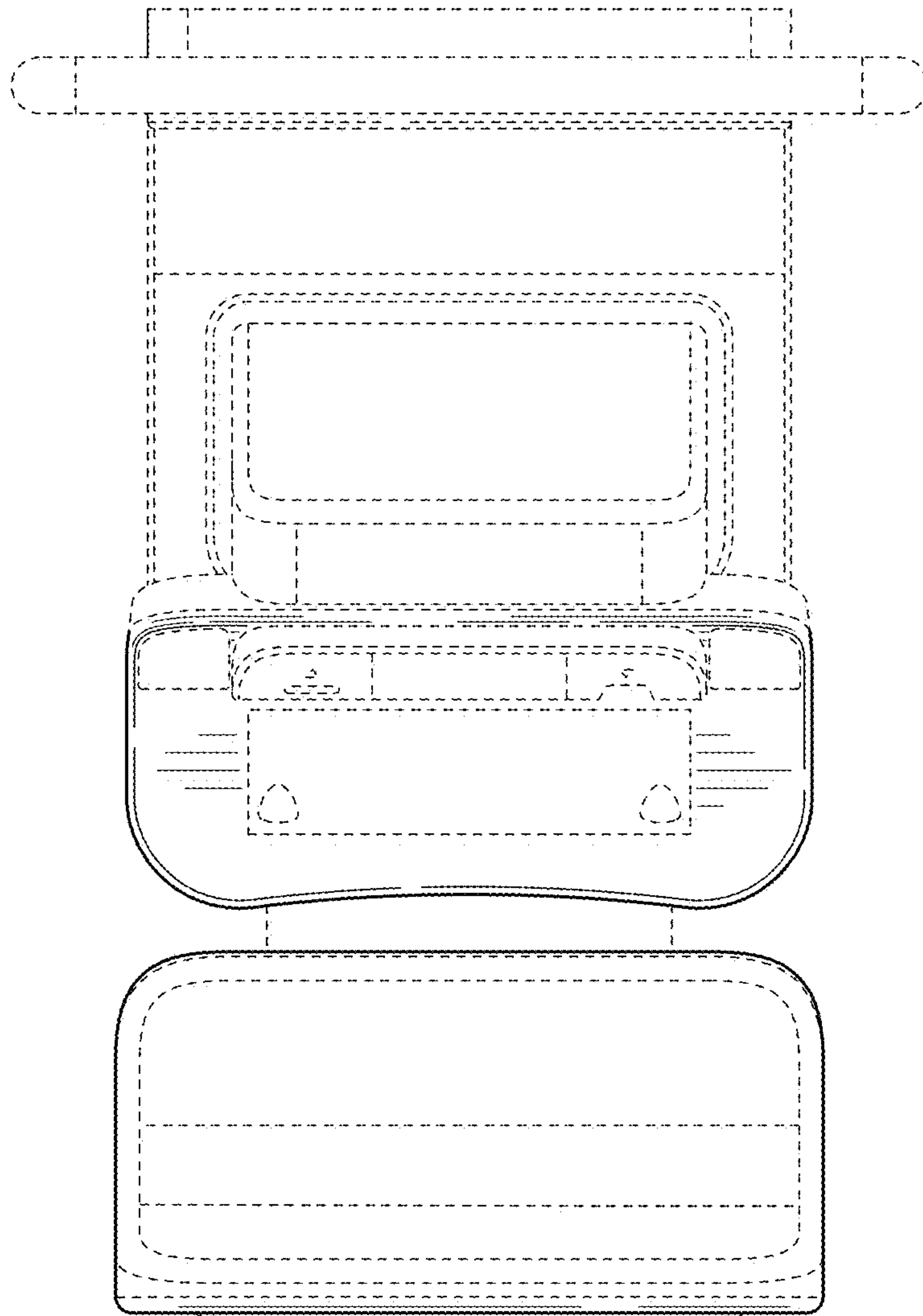


FIG. 6

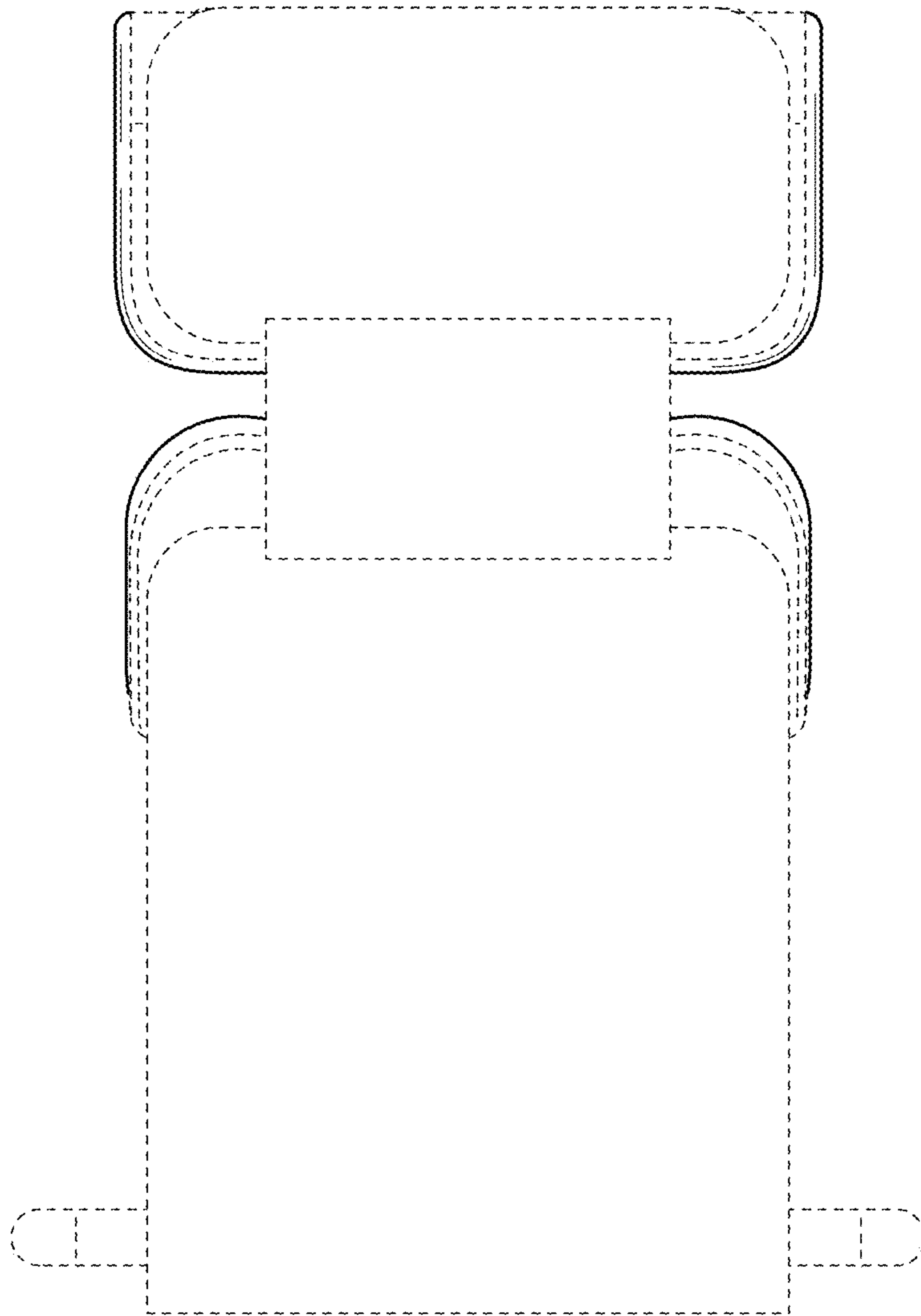


FIG. 7

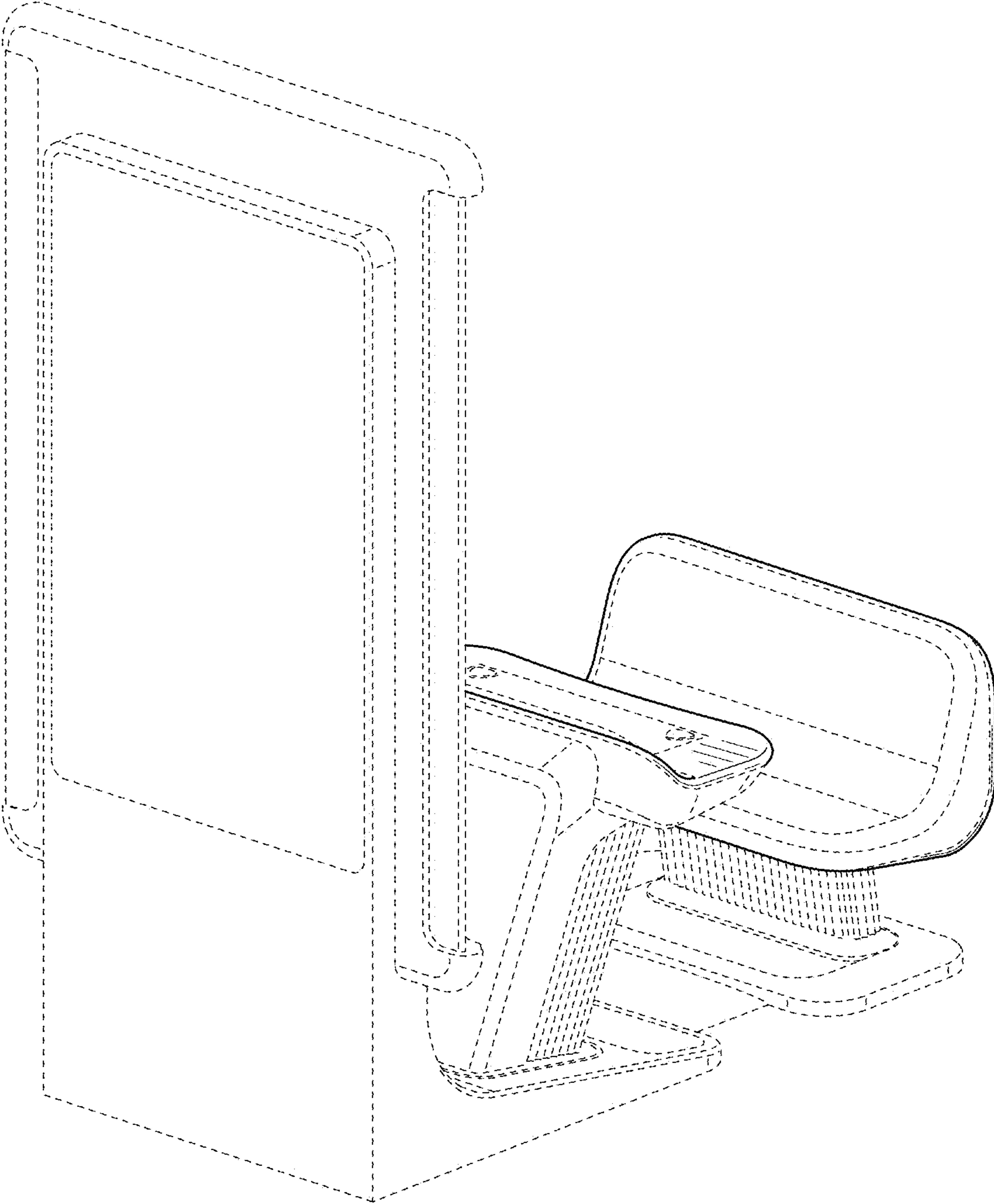


FIG. 8

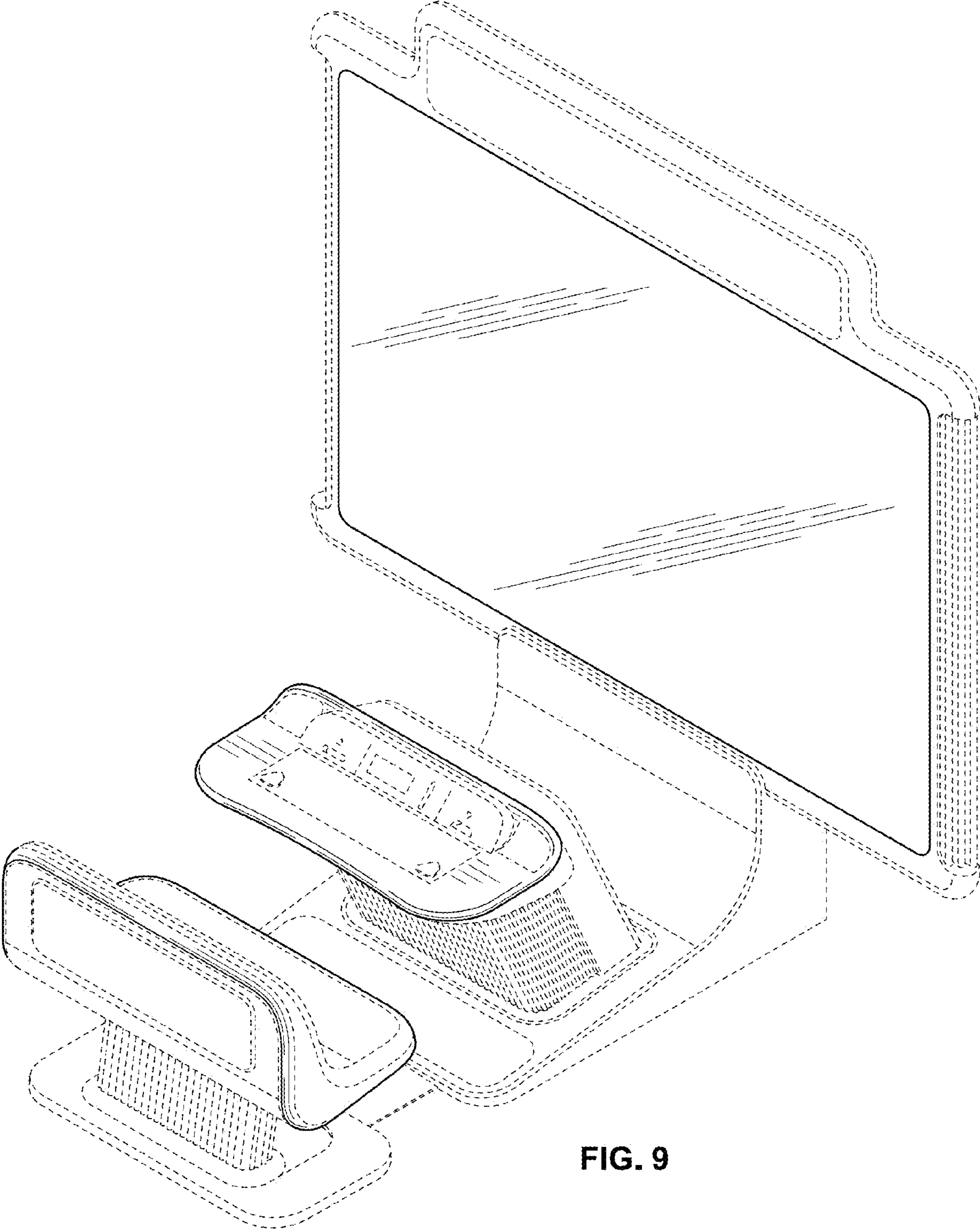


FIG. 9

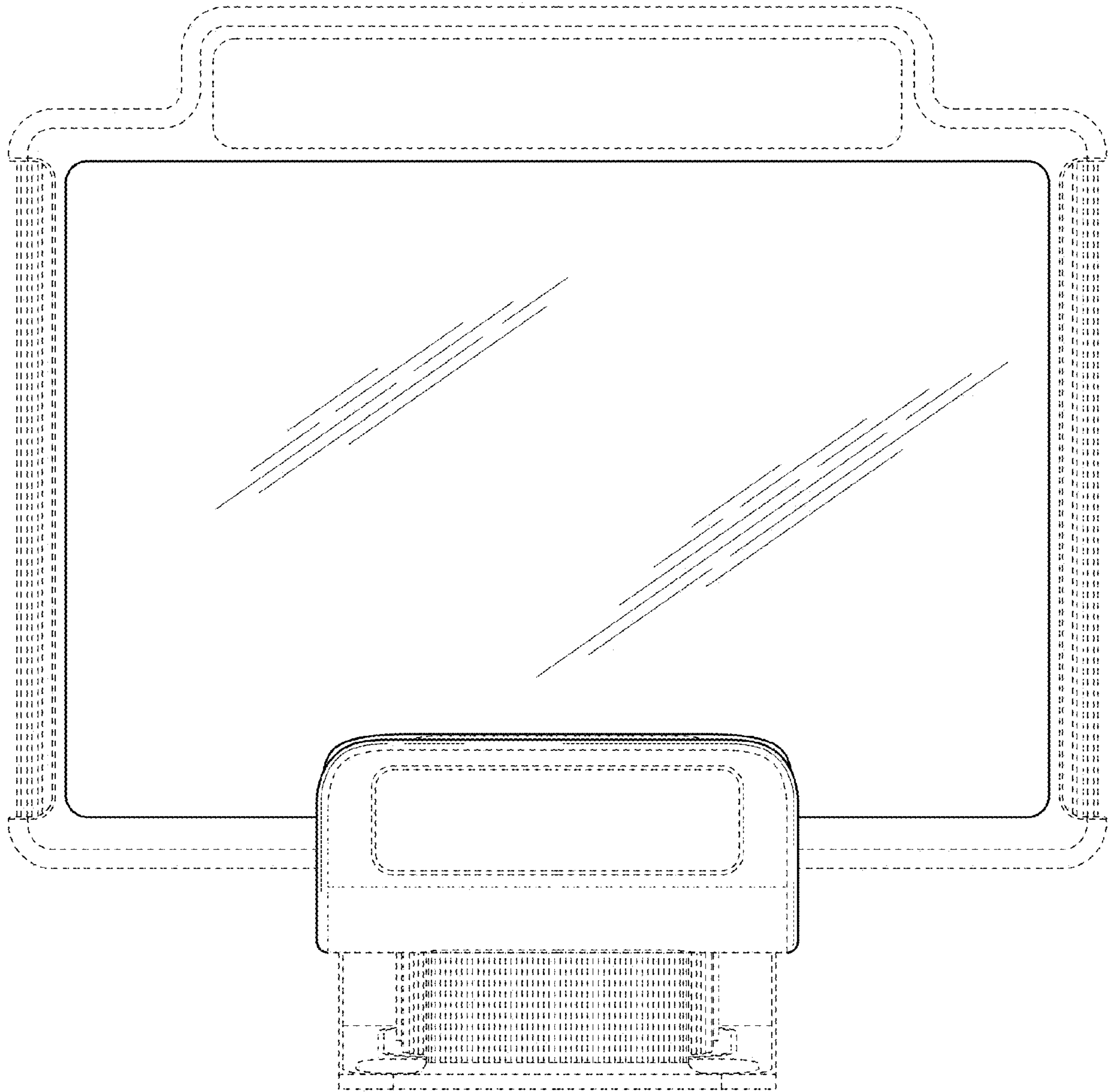


FIG. 10

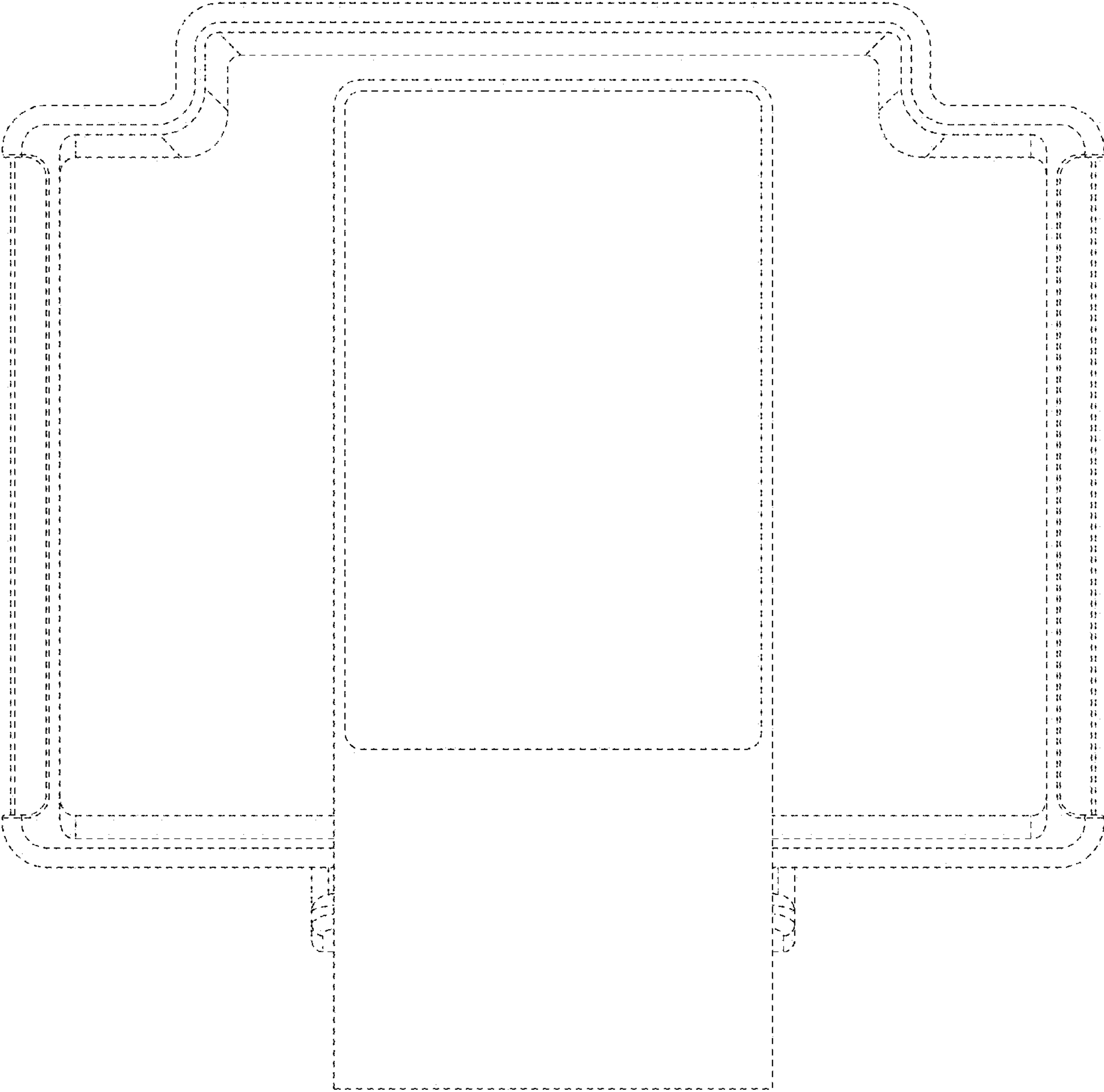


FIG. 11

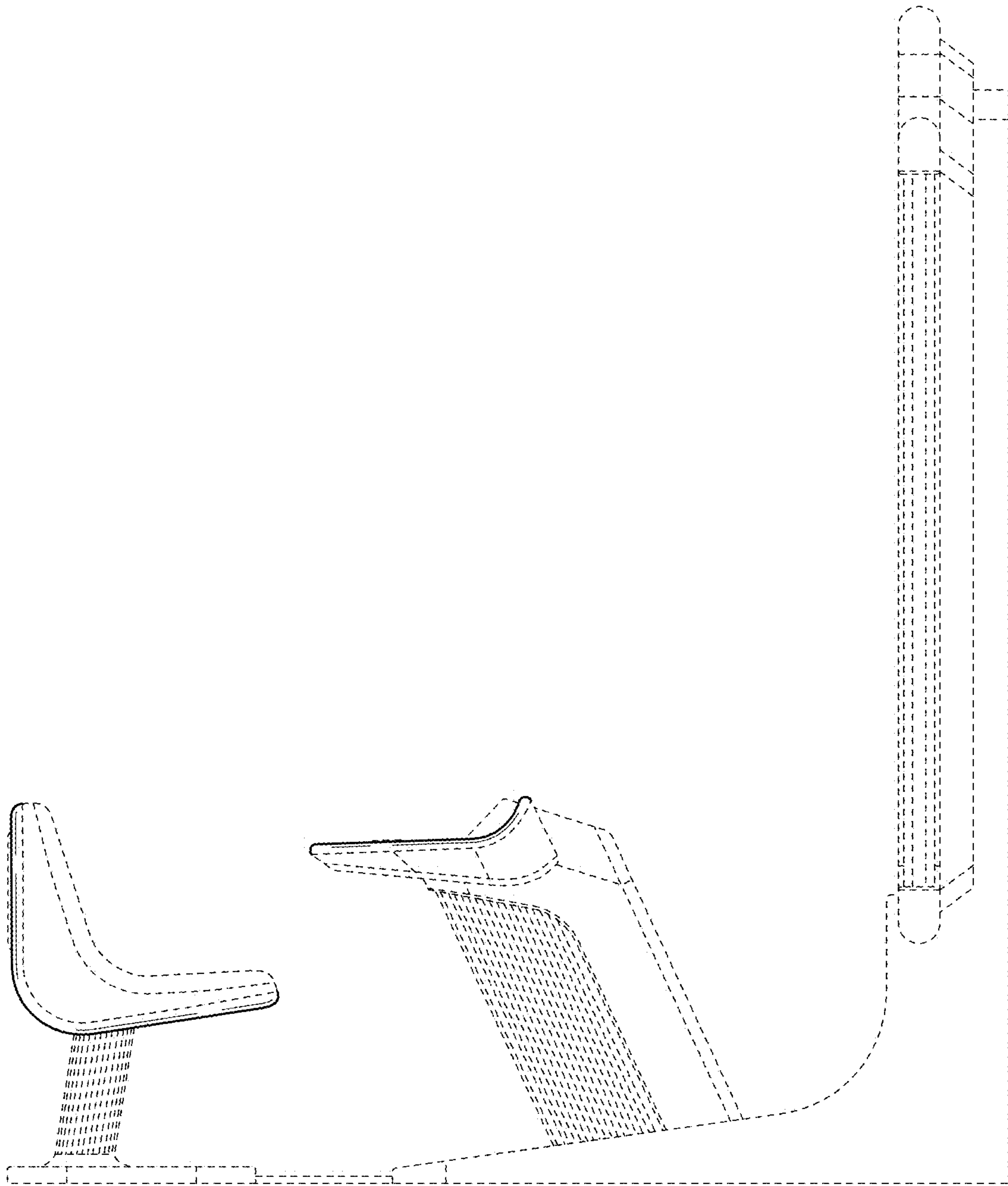


FIG. 12

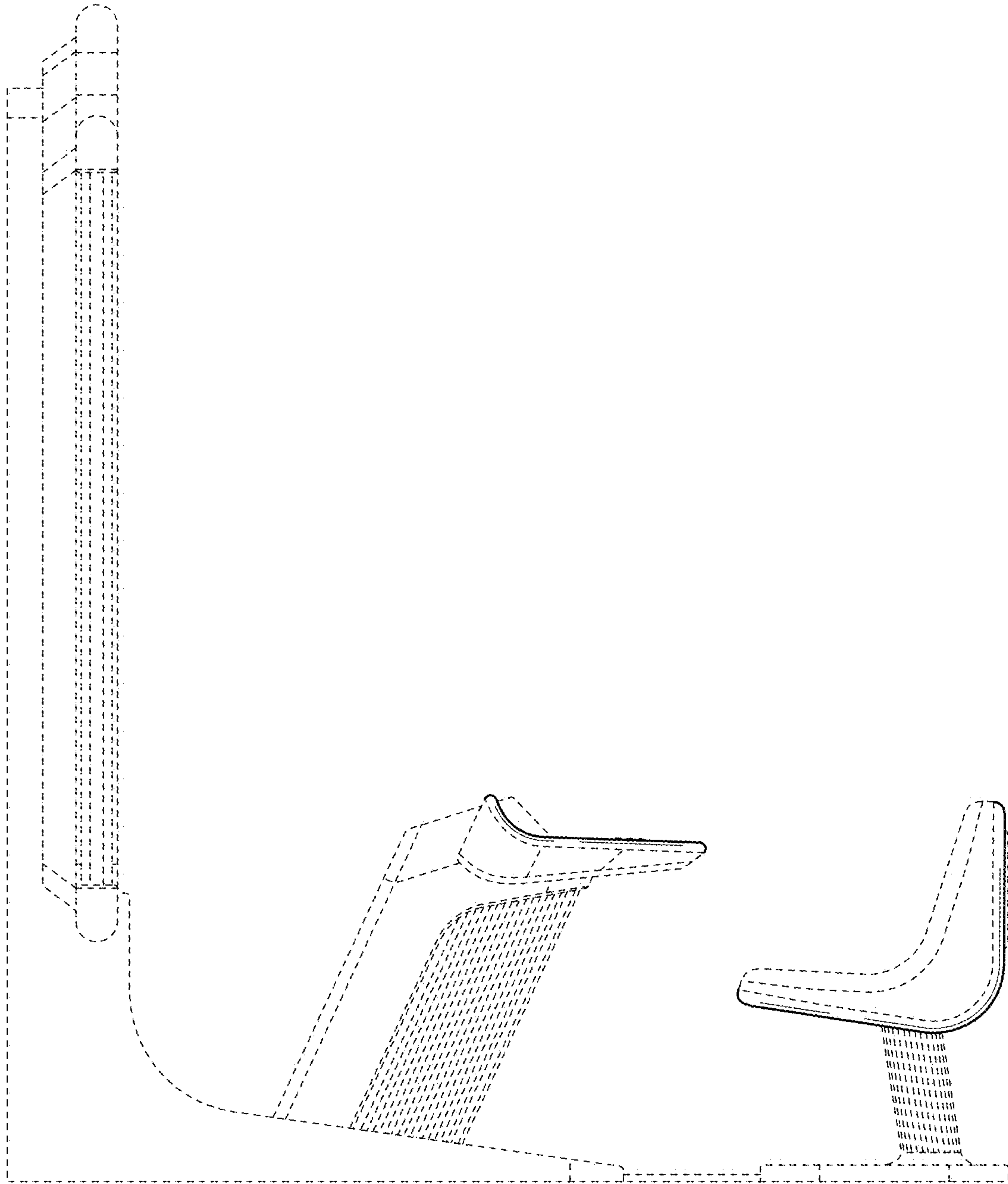


FIG. 13

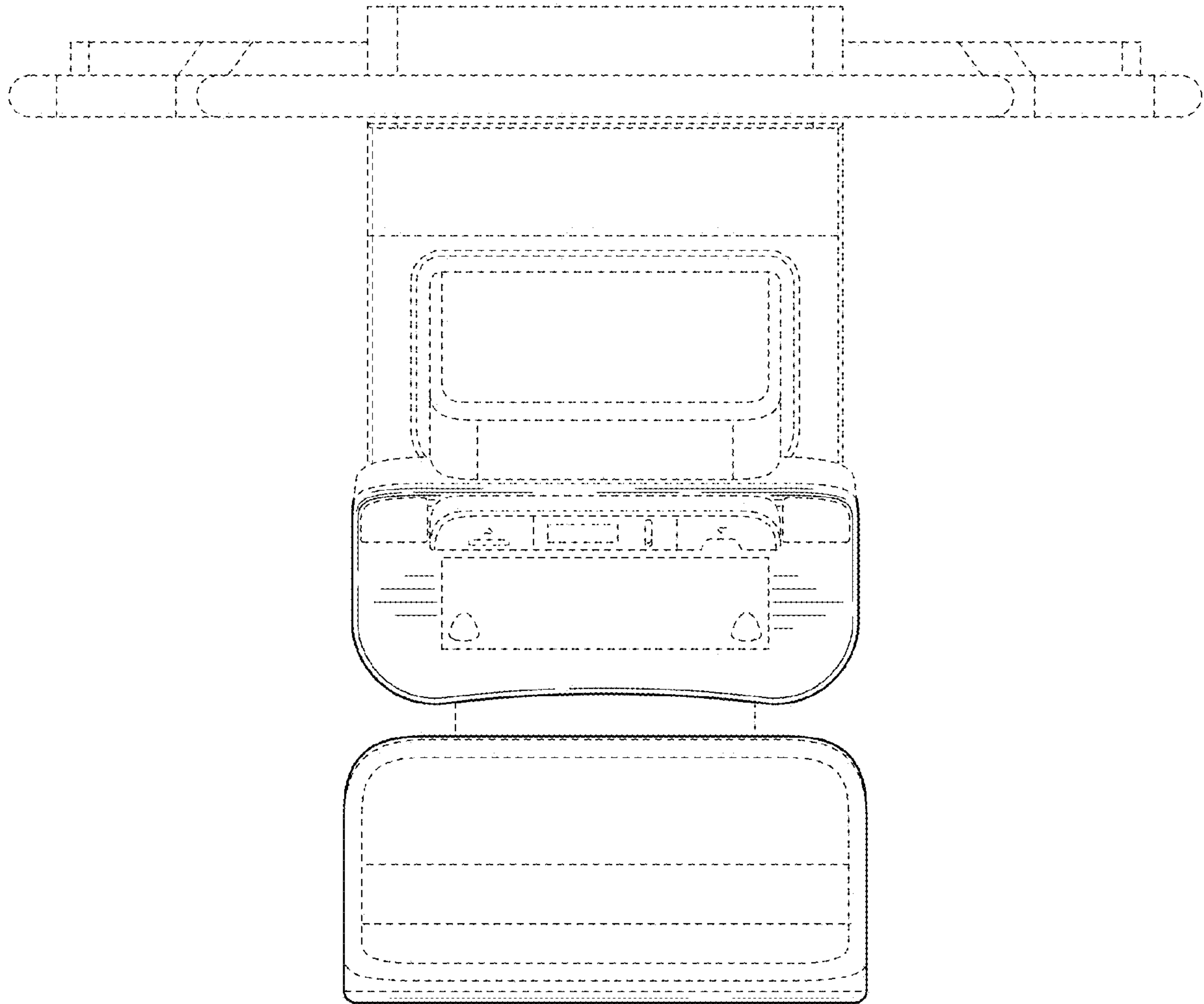


FIG. 14

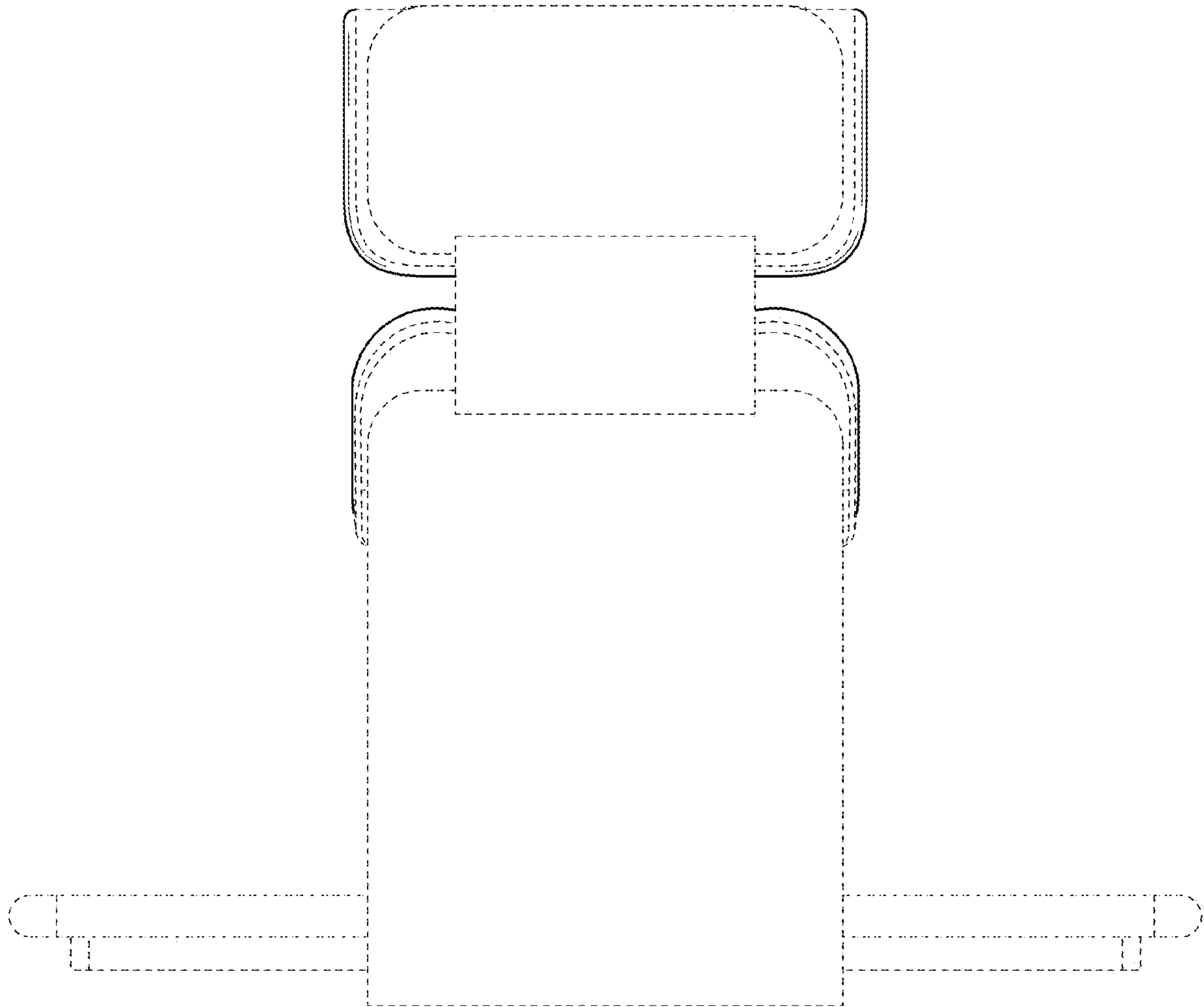


FIG. 15

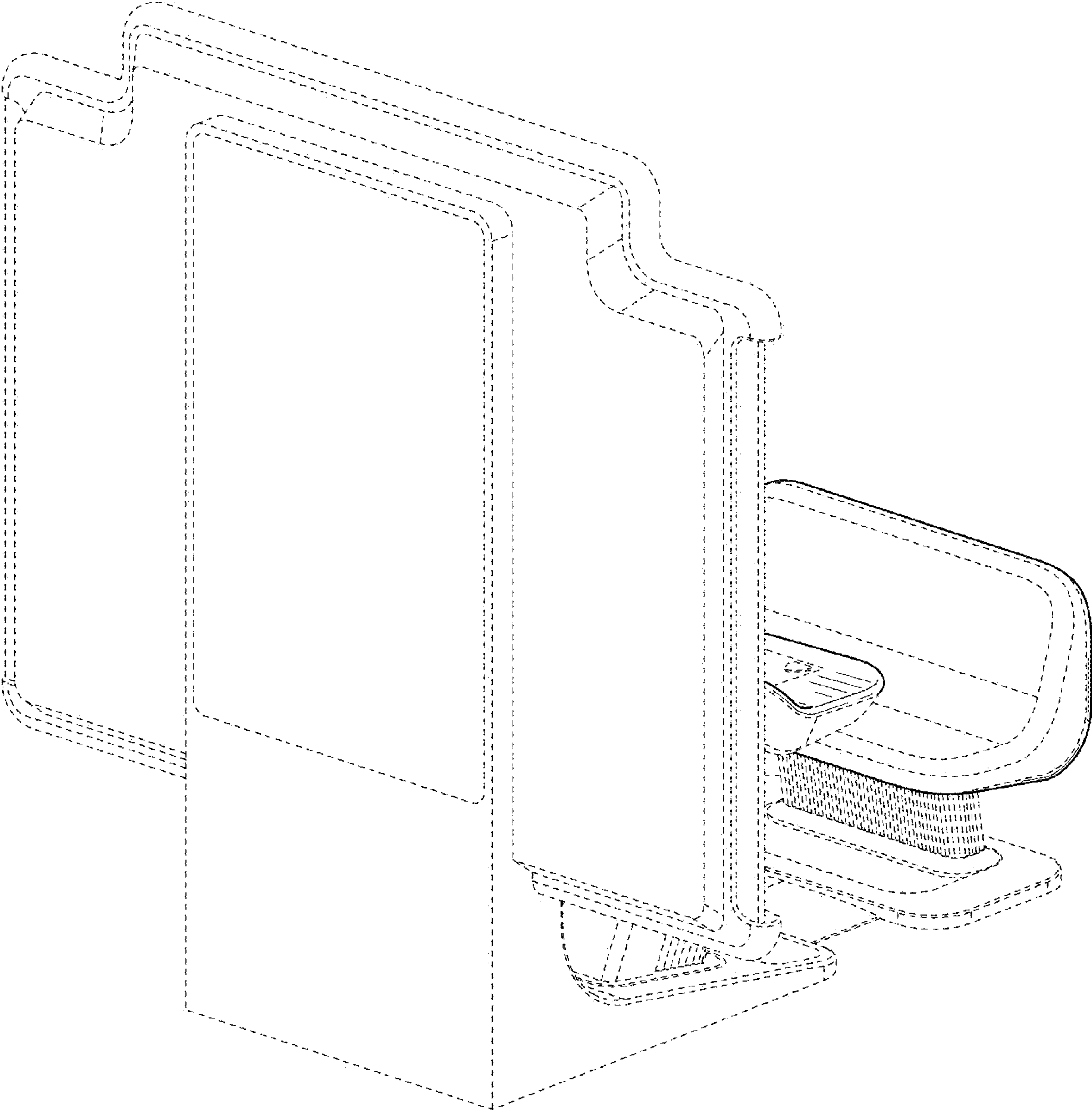


FIG. 16