



US00D917619S

(12) **United States Design Patent** (10) **Patent No.:** **US D917,619 S**
Roland et al. (45) **Date of Patent:** **** Apr. 27, 2021**

(54) **MINIATURE DIGITAL BILLBOARD ELECTRONIC DISPLAY**

(71) Applicant: **Roland Digital Media, Inc.**,
Cookeville, TN (US)

(72) Inventors: **David G. Roland**, Cookeville, TN
(US); **Thomas Shane Hutton**,
Cookeville, TN (US)

(73) Assignee: **Roland Digital Media, Inc.**,
Cookeville, TN (US)

(**) Term: **15 Years**

(21) Appl. No.: **29/689,540**

(22) Filed: **Apr. 30, 2019**

(51) **LOC (13) Cl.** **20-03**

(52) **U.S. Cl.**
USPC **D20/39**

(58) **Field of Classification Search**
USPC D10/109.1, 109.2, 113.4; D11/165, 166,
D11/181, 182; D20/10, 19, 21, 37, 39,
D20/40, 41, 42, 43, 99
CPC G09F 7/00; G09F 7/12; G09F 7/14; G09F
7/16; G09F 7/18; G09F 2007/122; G09F
2007/1804; G09F 2007/1834; G09F
2007/1886; G09F 9/00; G09F 13/00;
G09F 13/02; G09F 13/04; G09F 13/0018;
G09F 13/22; G09F 2003/1895; G09F
15/00; G09F 15/0037; G09F 15/02; G09F
15/025; G09F 17/00; G09F 2007/0075;
G09F 23/00

See application file for complete search history.

(56) **References Cited**

U.S. PATENT DOCUMENTS

D275,970 S * 10/1984 Bowers D20/41
D373,584 S * 9/1996 Anand D14/126

D410,036 S * 5/1999 Washington D20/41
D486,188 S * 2/2004 Norcross D20/43
D597,764 S * 8/2009 Topcuoglu D20/10
D598,053 S * 8/2009 Sanchez D14/159
D615,576 S * 5/2010 Takahashi D16/241
D636,441 S * 4/2011 Potts D20/19
D639,088 S * 6/2011 Rodgers D20/10
D644,694 S * 9/2011 Liang D20/43
D652,752 S * 1/2012 Fernandez D10/113.4
D693,409 S * 11/2013 Clark D20/43
2016/0217718 A1 * 7/2016 Silver G09F 13/18

OTHER PUBLICATIONS

Mini Digital Billboard Video, posted at Vimeo.com, posted on Jun. 22, 2019, site visited Feb. 27, 2020. online, available from internet: <https://vimeo.com/343861415> (Year: 2019).*

* cited by examiner

Primary Examiner — Mary Ann Calabrese

Assistant Examiner — Catherine Ho

(74) *Attorney, Agent, or Firm* — Luedeka Neely Group,
PC

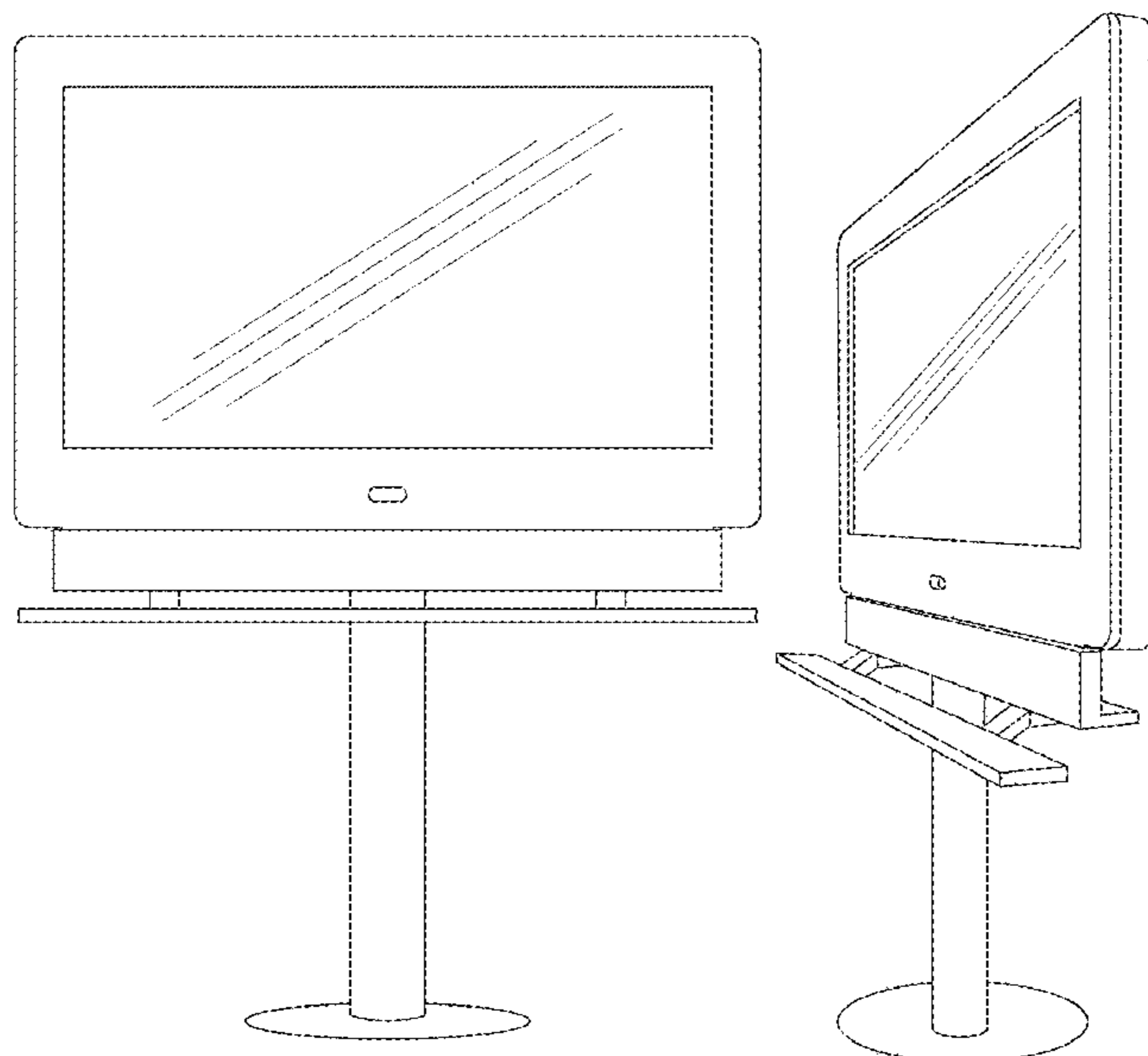
(57) **CLAIM**

The ornamental design for a miniature digital billboard electronic display, as shown and described.

DESCRIPTION

FIG. 1 is a front view of a miniature digital billboard electronic display, showing our new design; FIG. 2 is a side view thereof; and, FIG. 3 is a perspective view thereof.

1 Claim, 3 Drawing Sheets



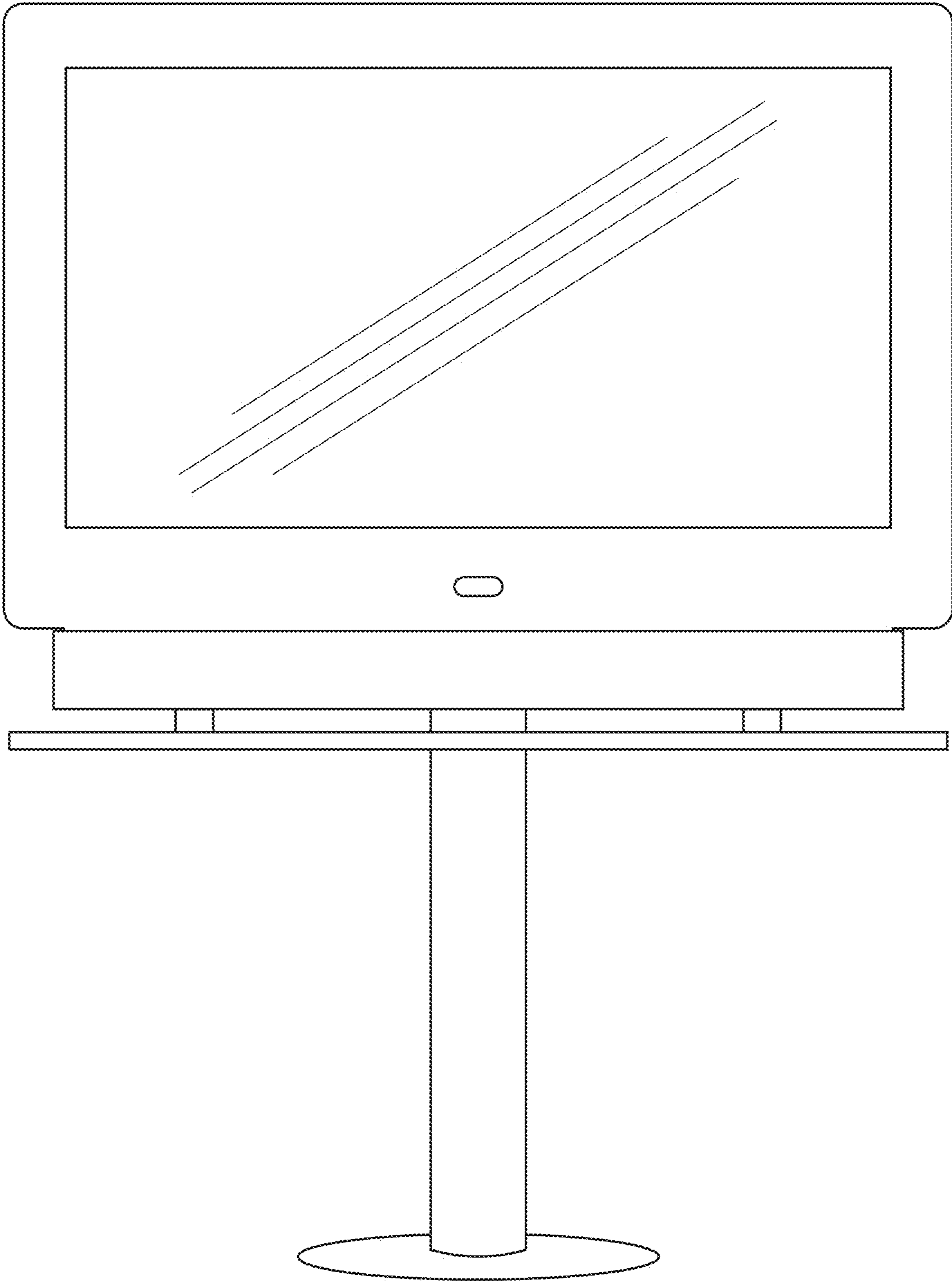


FIG. 1

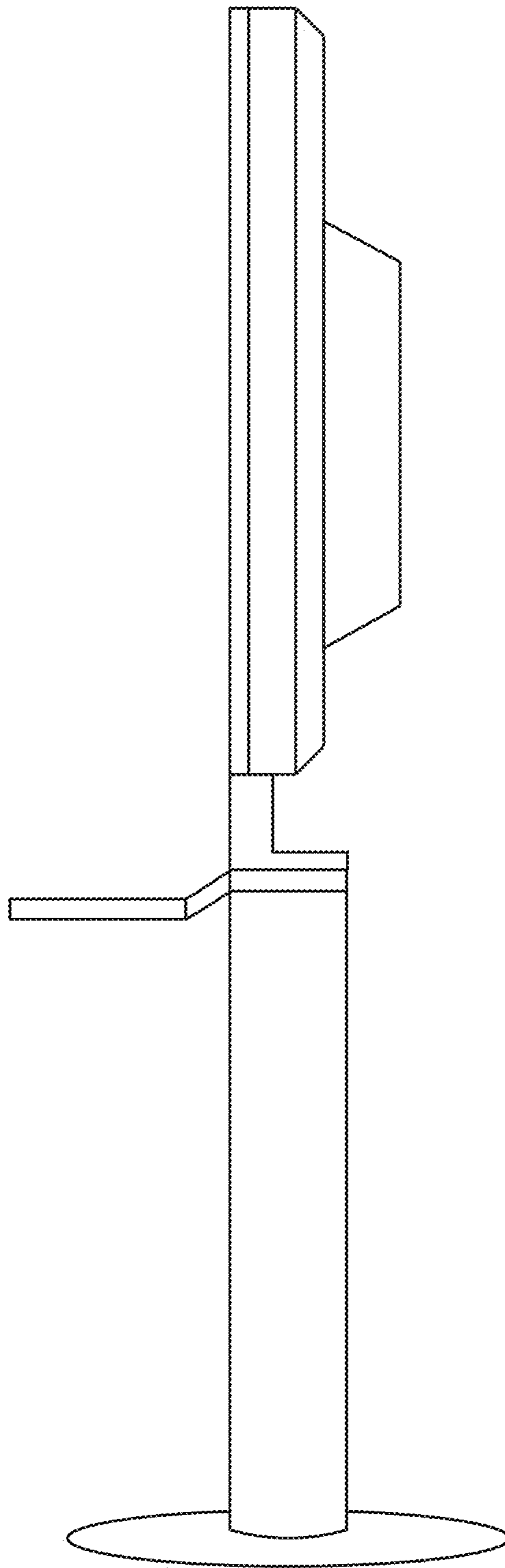


FIG. 2

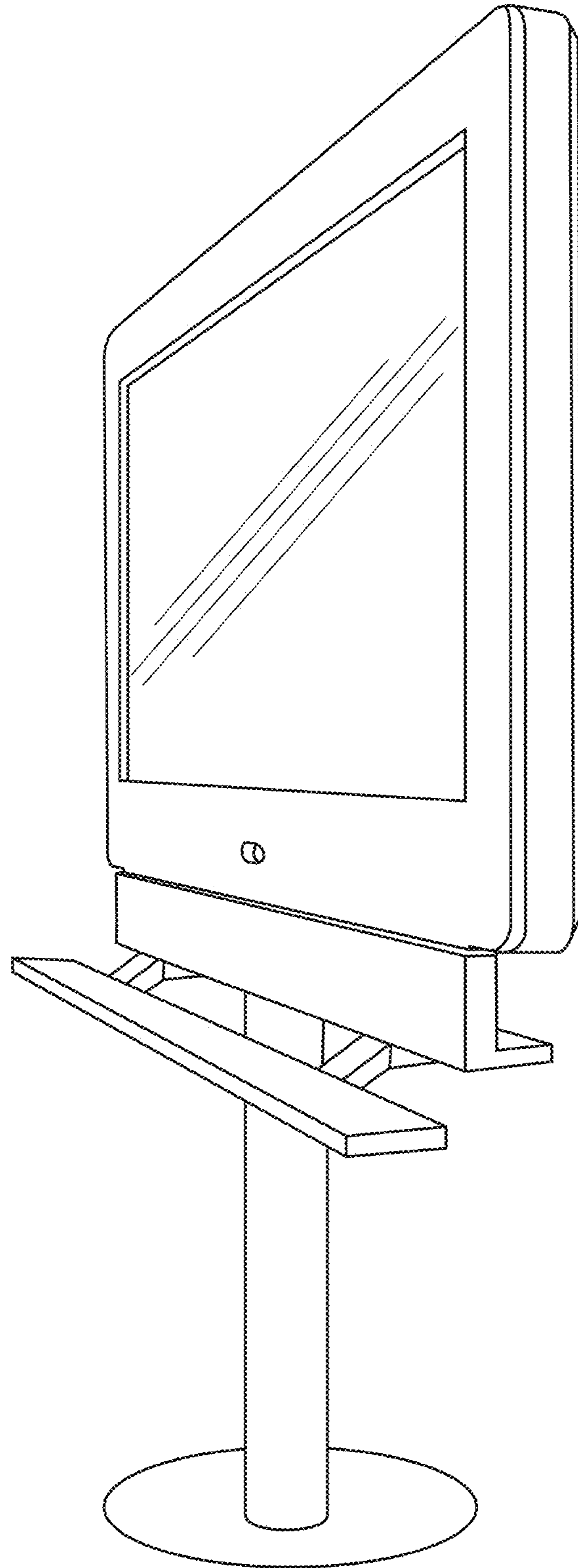


FIG. 3